



US00D701272S

(12) **United States Design Patent**
Lee

(10) **Patent No.:** **US D701,272 S**
(45) **Date of Patent:** **** Mar. 18, 2014**

- (54) **TOY PISTOL CONVERSION KIT**
- (76) Inventor: **Chi Keung Lee**, Hong Kong (CN)
- (**) Term: **14 Years**
- (21) Appl. No.: **29/386,789**
- (22) Filed: **Mar. 4, 2011**
- (30) **Foreign Application Priority Data**
Feb. 11, 2011 (HK) 1100211
- (51) **LOC (10) Cl.** **21-01**
- (52) **U.S. Cl.**
USPC **D21/573**
- (58) **Field of Classification Search**
USPC D21/333, 401, 461, 567, 568, 570-575;
D14/418; D22/100, 101, 104, 105,
D22/108-110; 124/16, 26, 27, 28, 29, 54,
124/73-77; 222/78, 79; 42/54, 57, 58;
446/23, 182, 192, 401, 403, 405-407,
446/473, 475
See application file for complete search history.

- (56) **References Cited**
U.S. PATENT DOCUMENTS
6,490,822 B1 * 12/2002 Swan 42/71.01
6,839,998 B1 * 1/2005 Armstrong 42/71.01

D626,618 S *	11/2010	Peterson et al.	D22/103
D629,062 S *	12/2010	Peterson et al.	D22/103
D638,887 S *	5/2011	En	D21/573
D648,811 S *	11/2011	En	D21/573
D649,202 S *	11/2011	En	D21/573
D665,037 S *	8/2012	Mead	D21/573

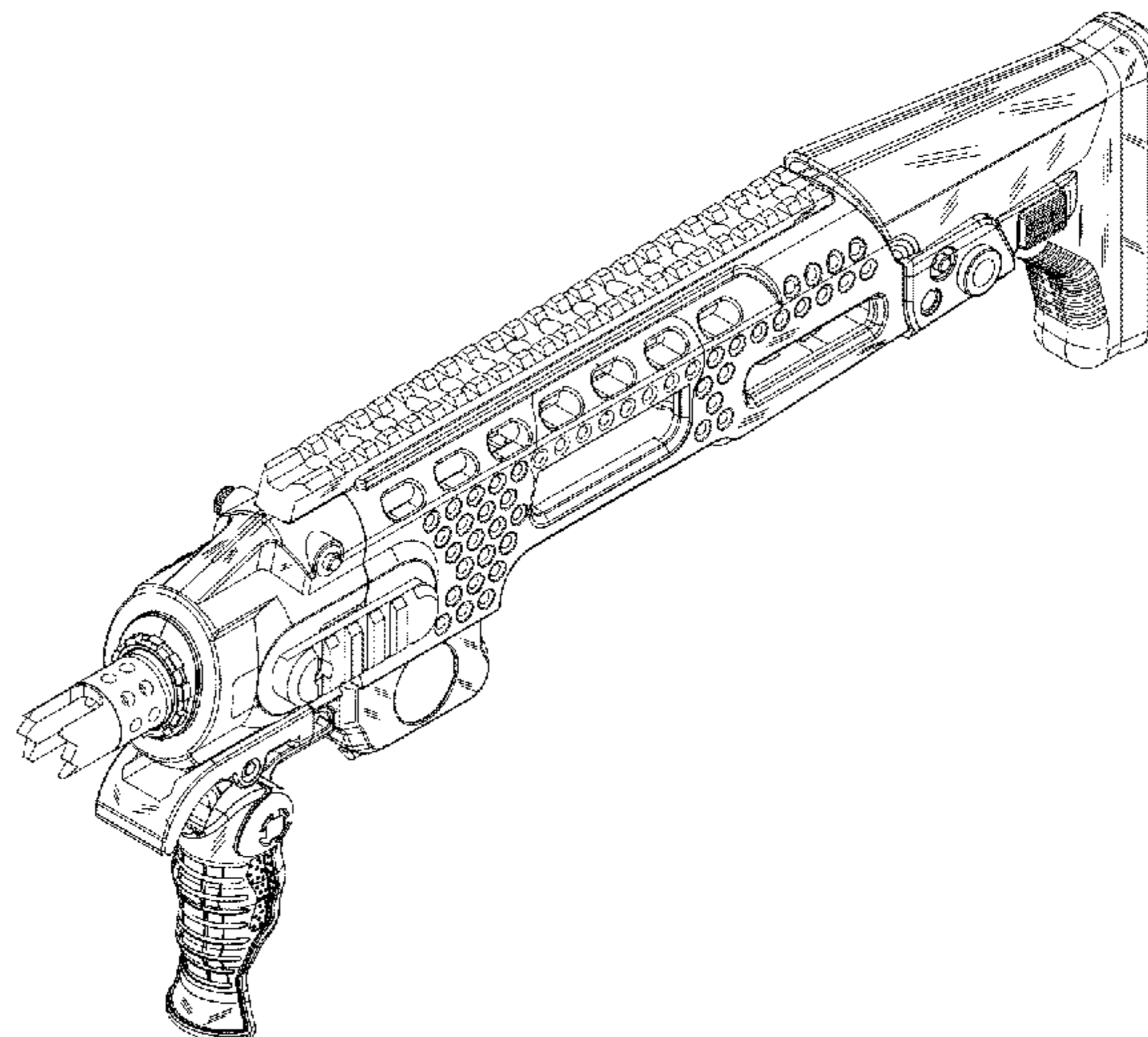
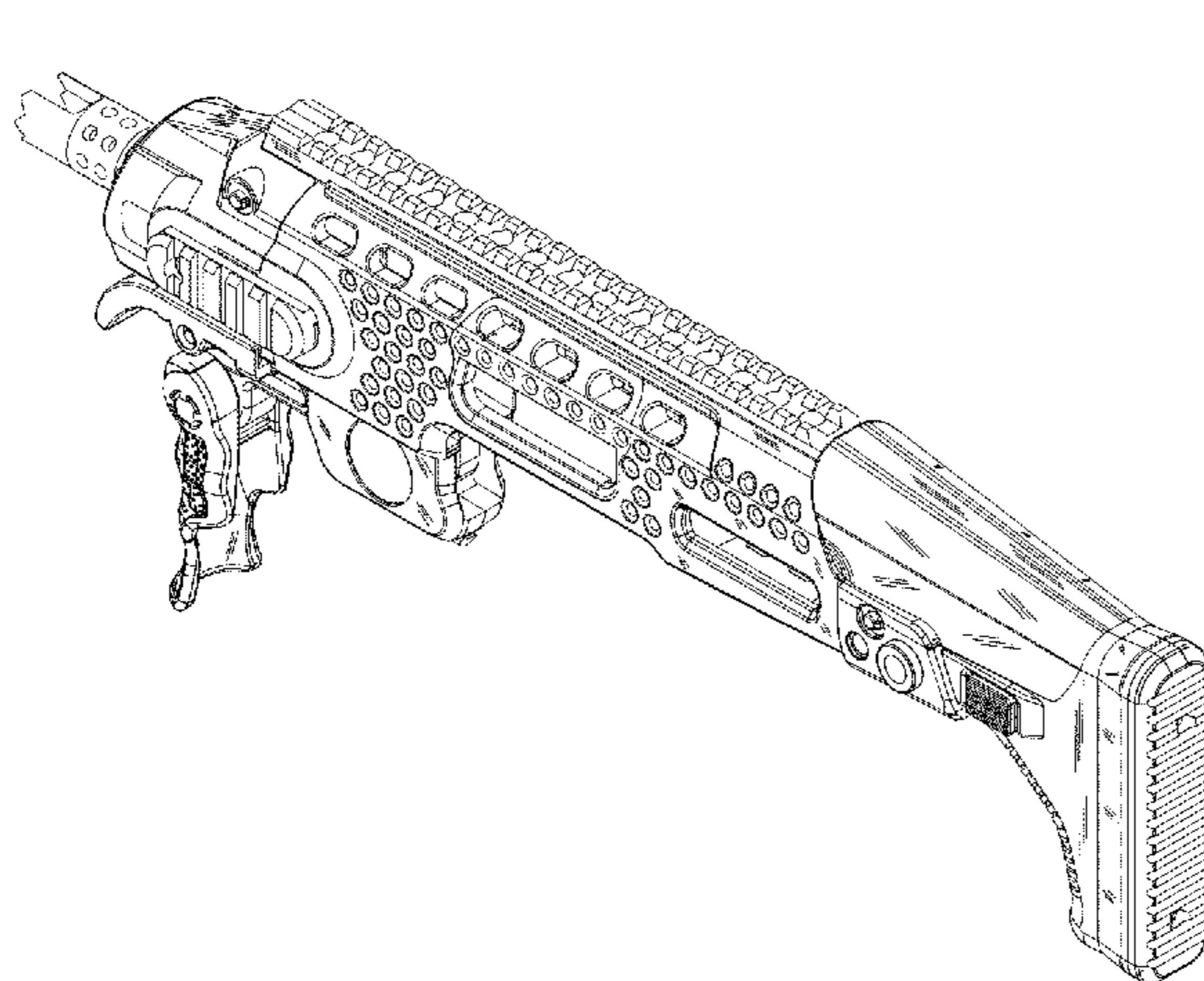
* cited by examiner

Primary Examiner — Cynthia M Chin
(74) *Attorney, Agent, or Firm* — Global IP Services; Tianhua Gu

(57) **CLAIM**
The ornamental design for a toy pistol conversion kit, as shown and described.

DESCRIPTION
FIG. 1 is a front elevation view of a toy pistol conversion kit showing my new design;
FIG. 2 is a rear elevation view thereof;
FIG. 3 is a left side elevation view thereof;
FIG. 4 is a right side elevation view thereof;
FIG. 5 is a top plan view thereof;
FIG. 6 is a bottom plan view thereof;
FIG. 7 is a rear left perspective view thereof;
FIG. 8 is a front right perspective view thereof;
FIG. 9 is a bottom right perspective view thereof; and,
FIG. 10 is a bottom left perspective view thereof.

1 Claim, 5 Drawing Sheets



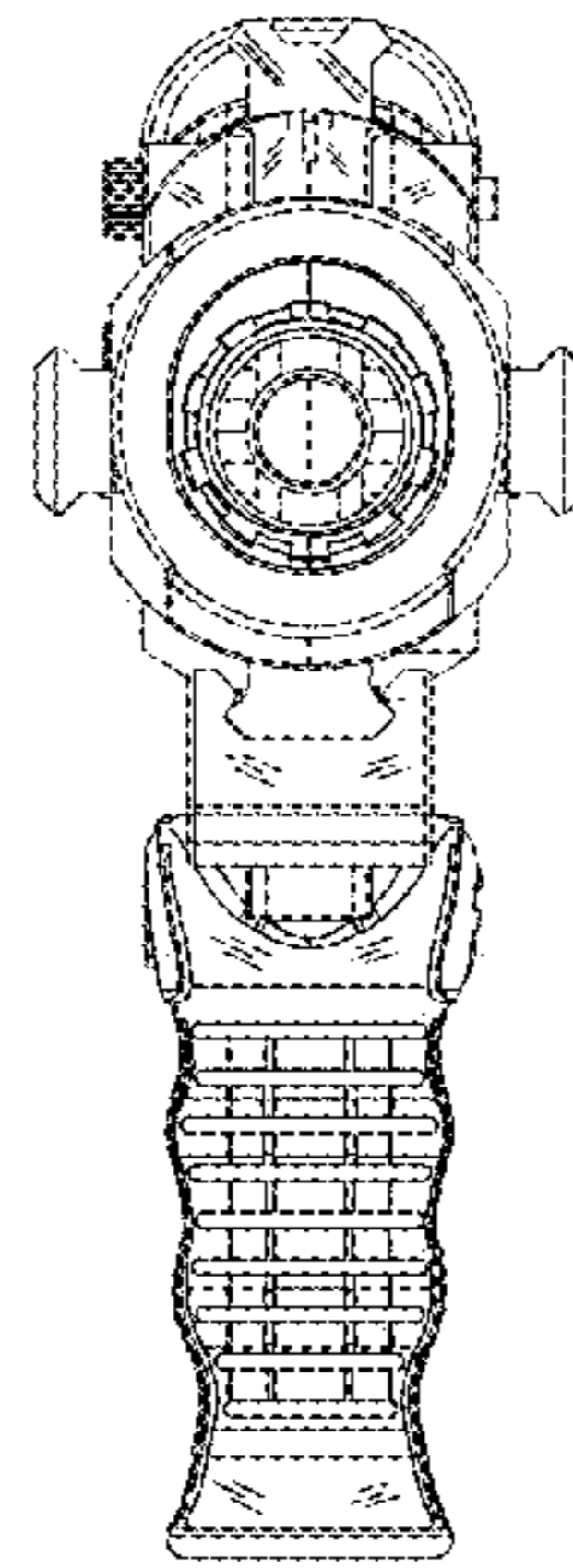


FIG. 1

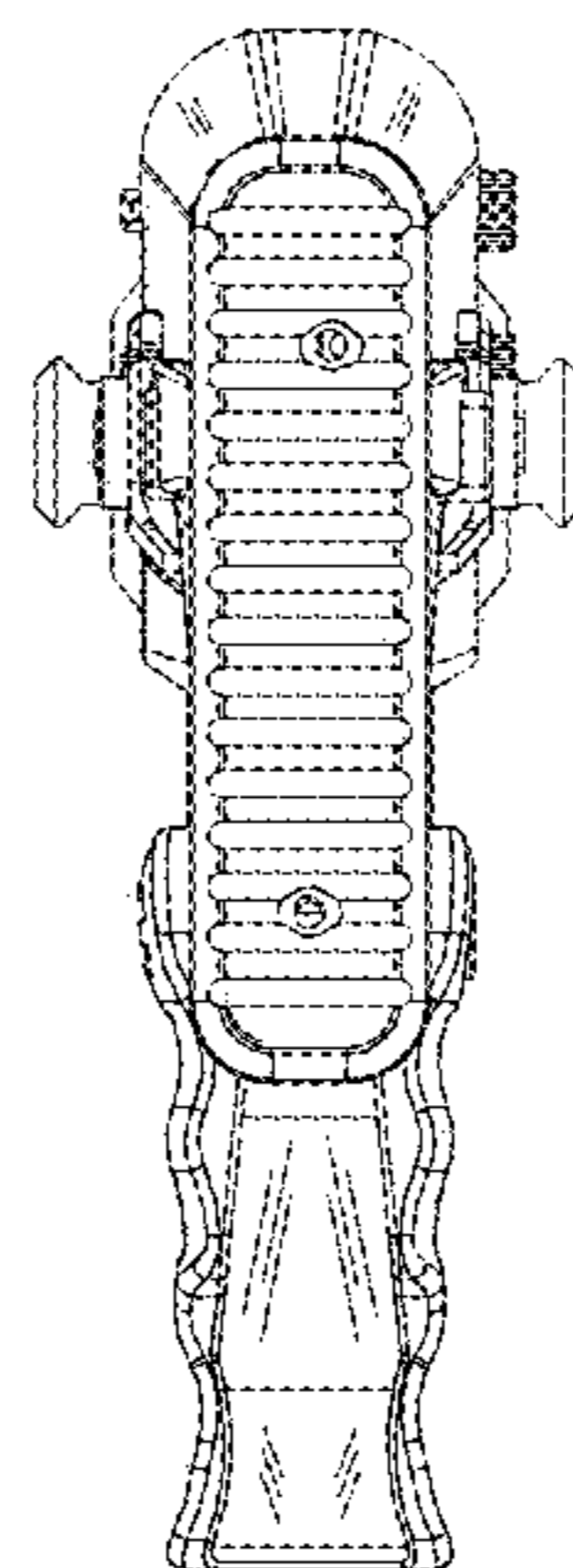


FIG. 2

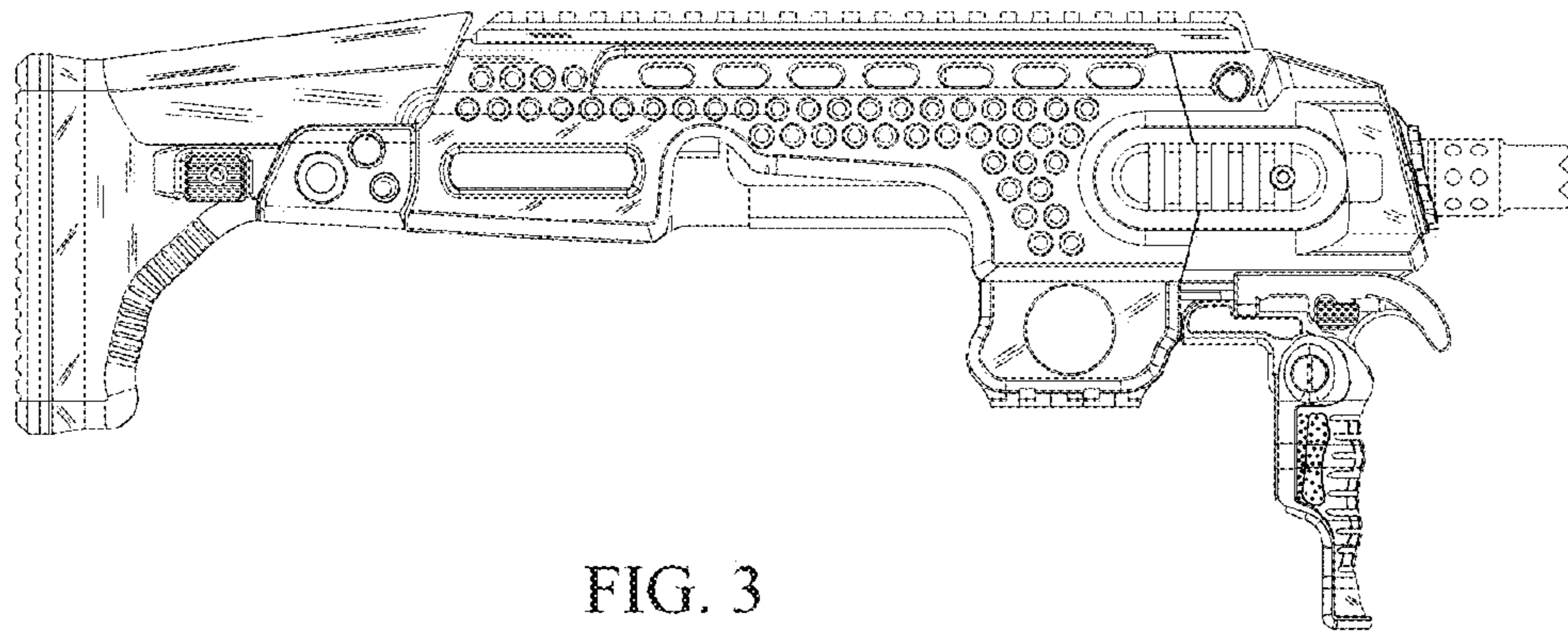


FIG. 3

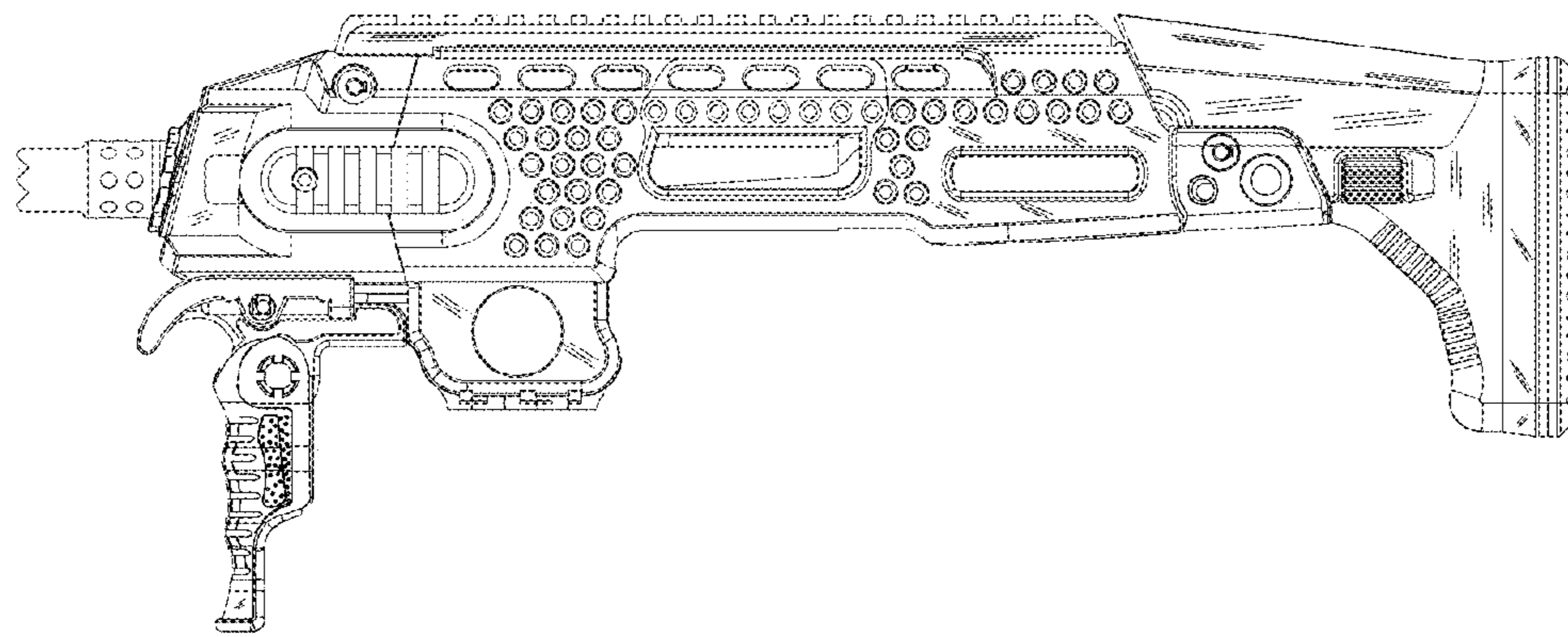


FIG. 4

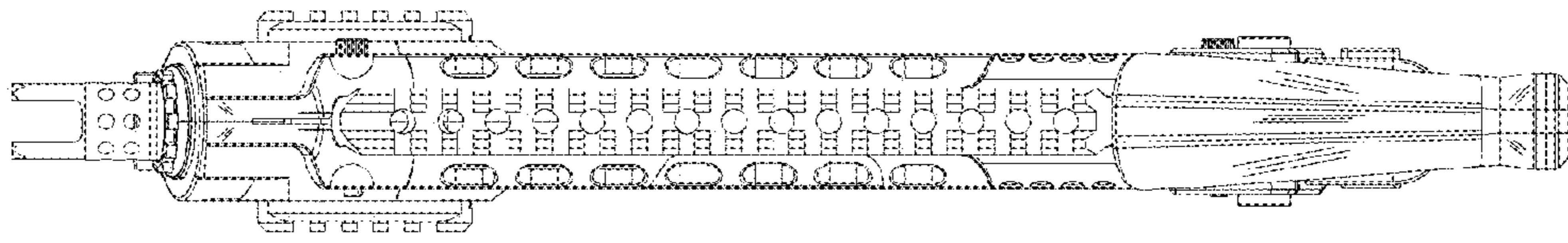


FIG. 5

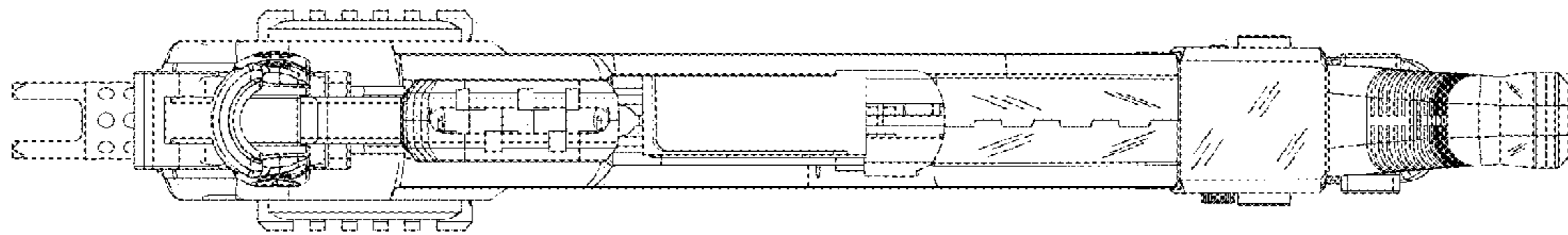


FIG. 6

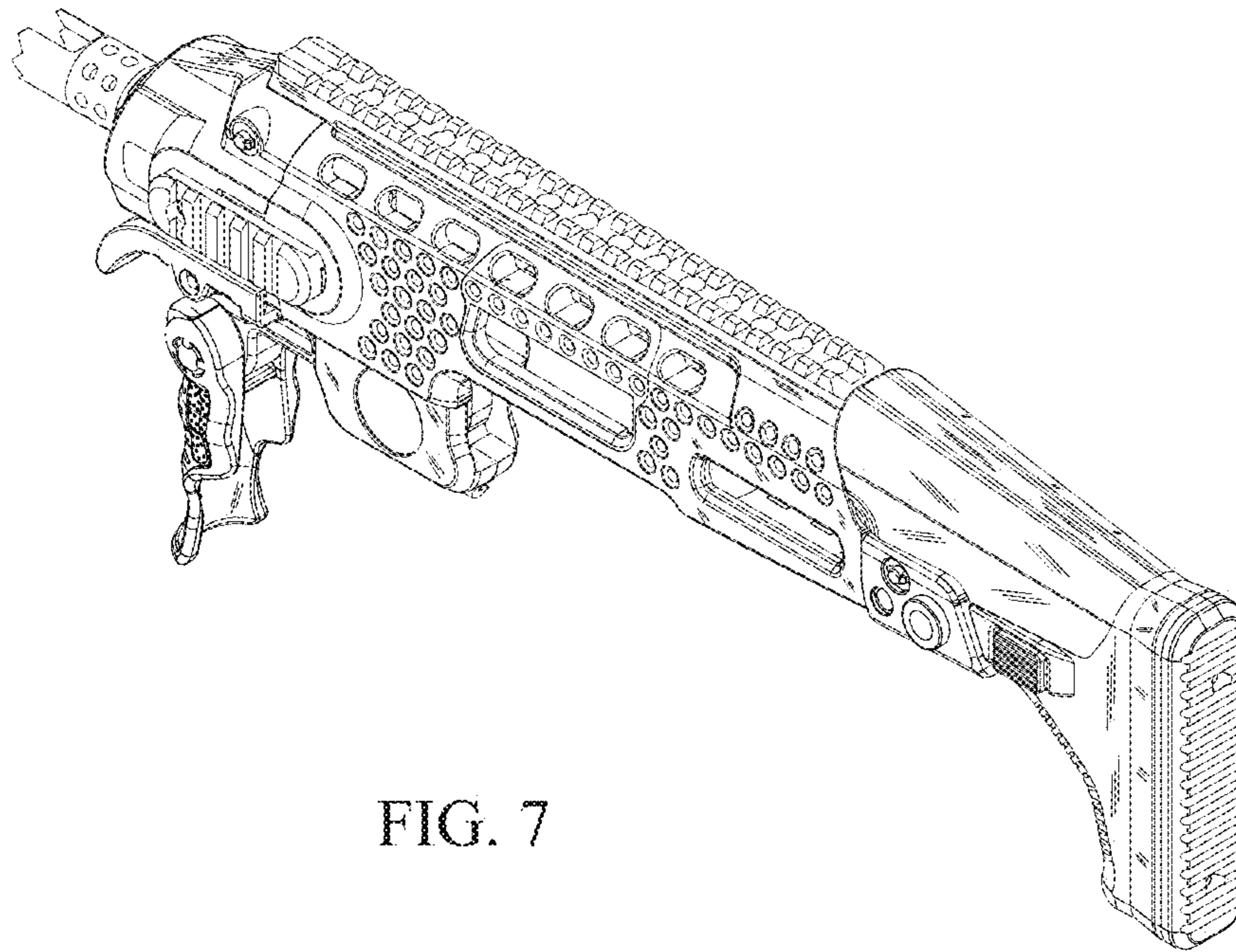


FIG. 7

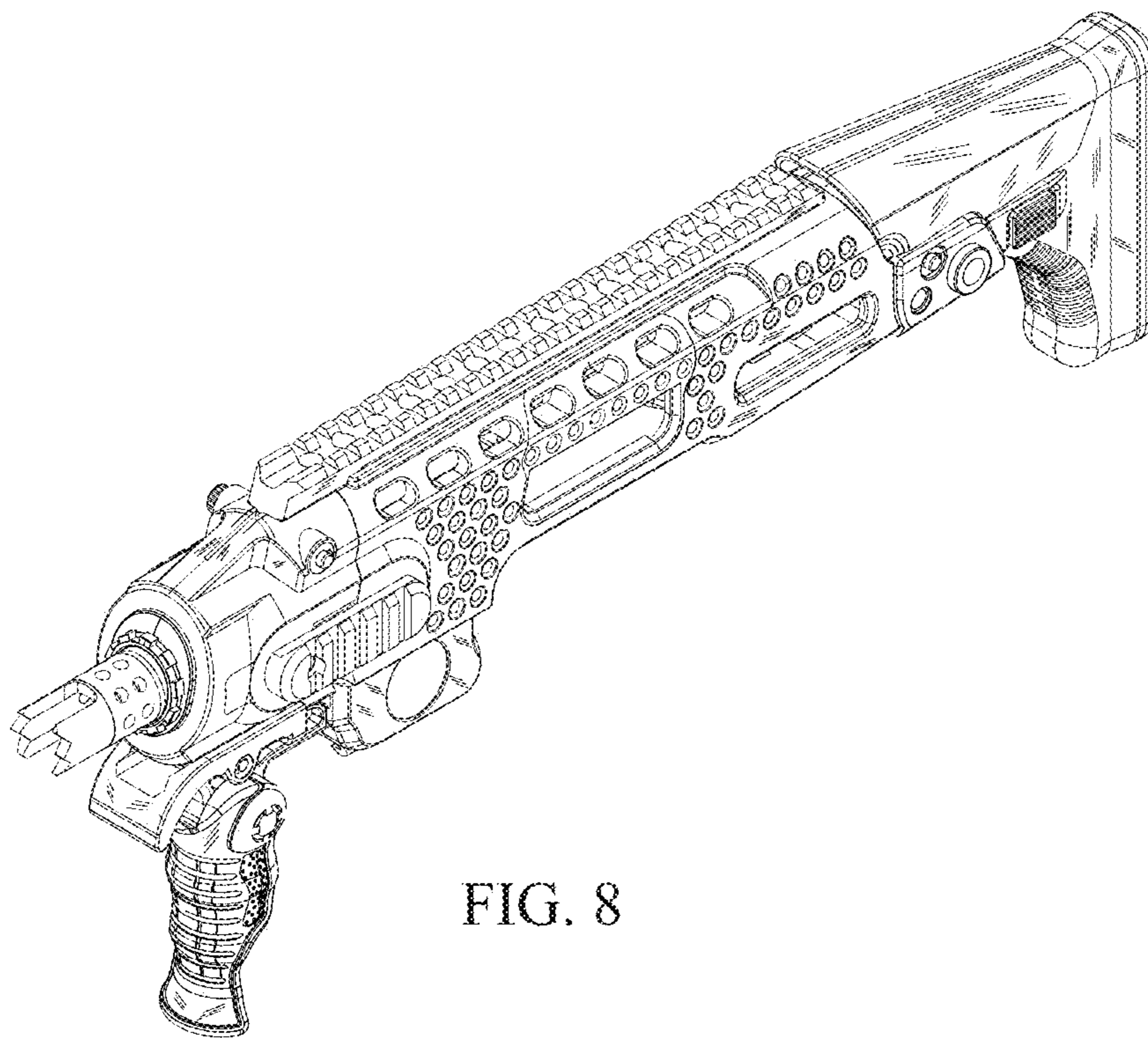


FIG. 8

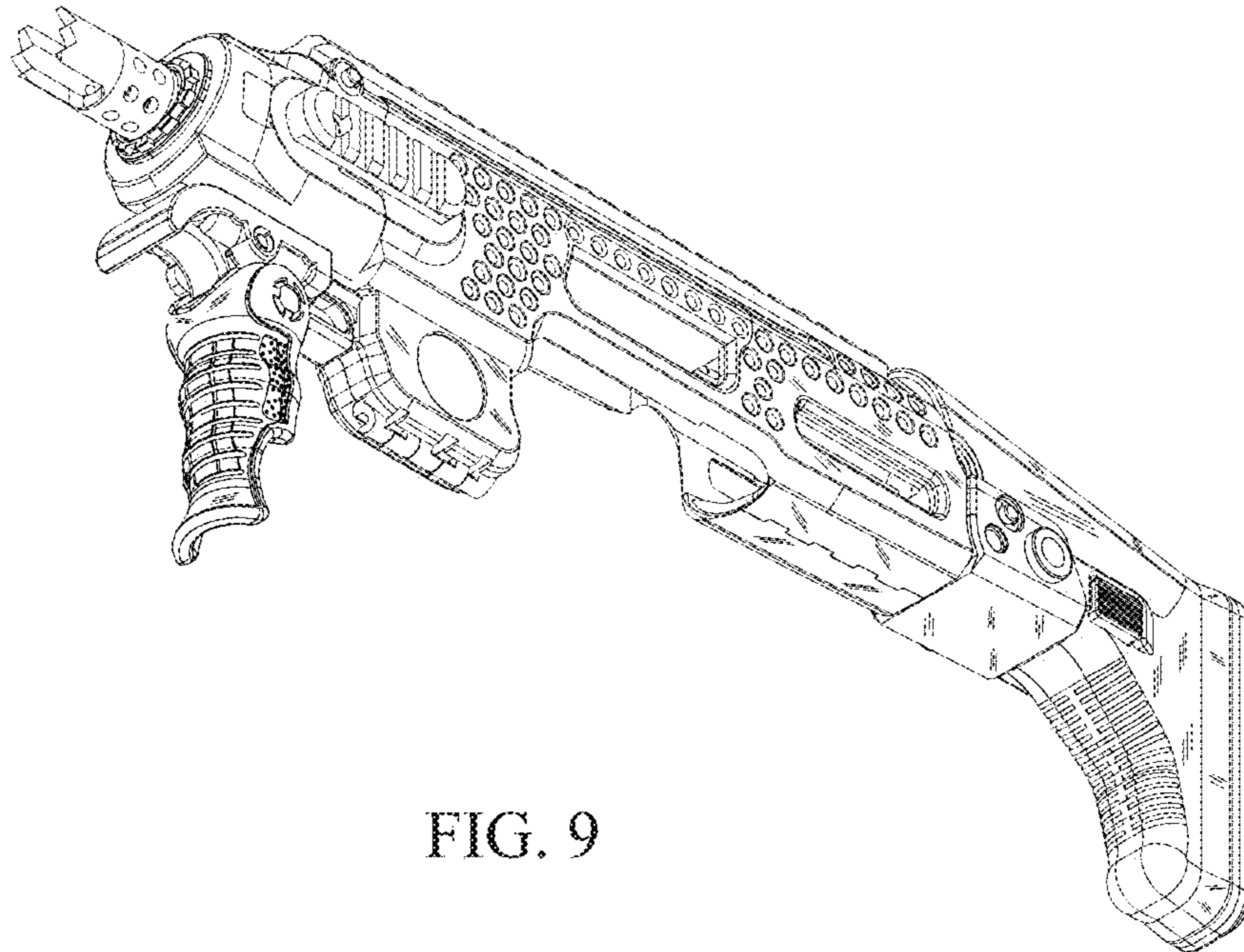


FIG. 9

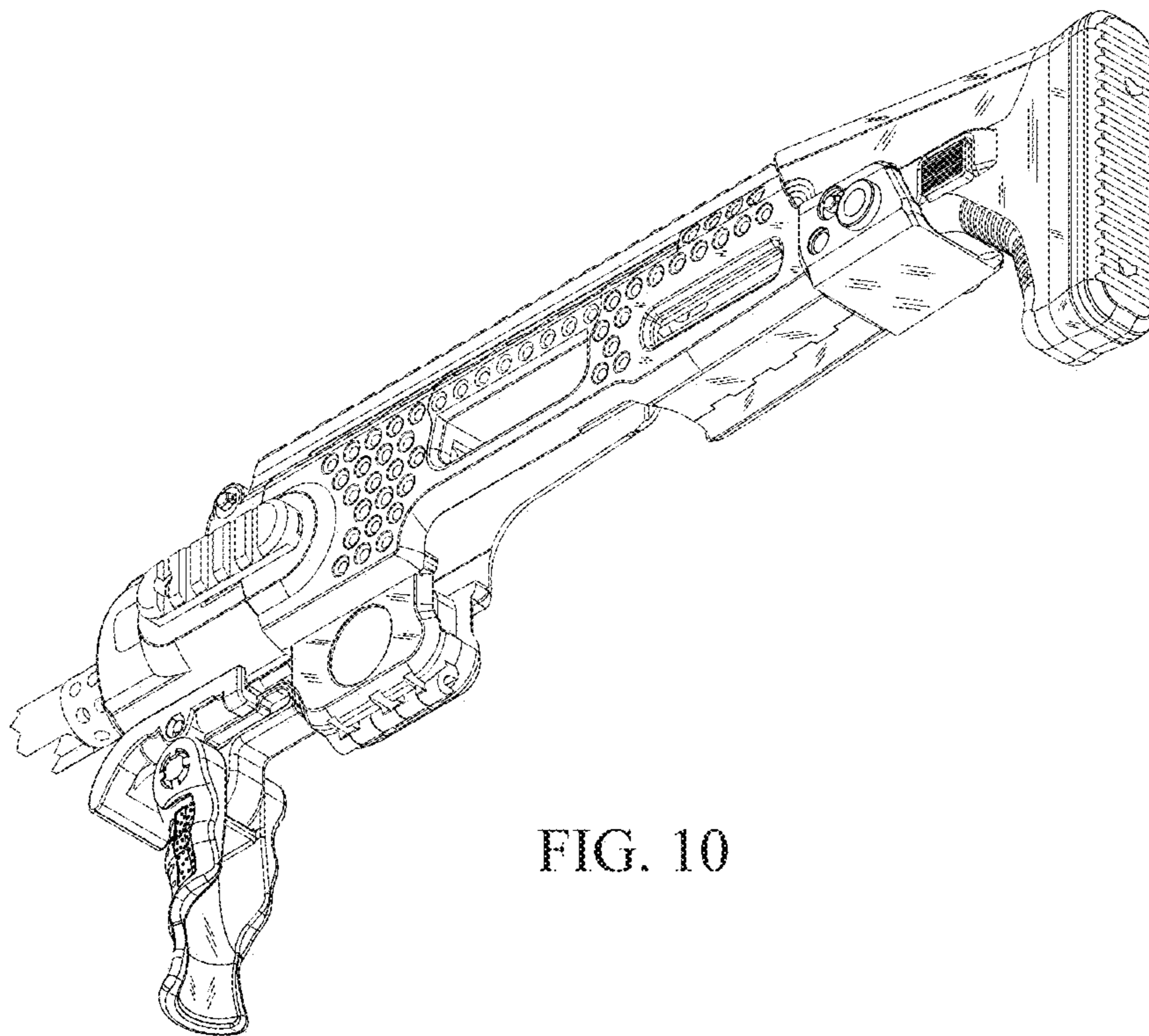


FIG. 10