



US00D701271S

(12) **United States Design Patent**
Grout et al.

(10) **Patent No.:** **US D701,271 S**
(45) **Date of Patent:** **** Mar. 18, 2014**

(54) **RIDE-ON VEHICLE**

(71) Applicant: **Radio Flyer Inc.**, Chicago, IL (US)

(72) Inventors: **Ian Grout**, Strykersville, NY (US);
Todd Herlitz, Glenview, IL (US)

(73) Assignee: **Radio Flyer Inc.**, Chicago, IL (US)

(**) Term: **14 Years**

(21) Appl. No.: **29/449,695**

(22) Filed: **Mar. 15, 2013**

(51) **LOC (10) Cl.** **21-01**

(52) **U.S. Cl.**
USPC **D21/419**; D21/426

(58) **Field of Classification Search**
USPC D21/419, 421, 423-428, 431-435, 548;
D12/129, 130, 133; 180/65.1; 280/7.1,
280/7.11, 7.15, 7.17, 47.17, 47.25, 47.38,
280/47.34, 87.01, 87.021, 87.05, 87.051,
280/282, 827, 828

See application file for complete search history.

(56) **References Cited**

U.S. PATENT DOCUMENTS

D261,784 S	*	11/1981	Fisher	D21/424
D327,101 S	*	6/1992	Halter et al.	D21/425
D469,477 S	*	1/2003	Horchler	D21/424
D571,863 S	*	6/2008	On	D21/424
D631,102 S	*	1/2011	Jessie, Jr.	D21/424

OTHER PUBLICATIONS

<http://www.vtechkids.com/product/detail/1816/3_in_1_Learning_Zebra_Scooter>, VTech 3-in-1 Learning Scooter, Scooter, dated at least as early as Jan. 1, 2013.

<<http://www.buzzillions.com/reviews/berchet-twin-rider-ride-on-scooter-reviews#Description>>, Berchet Twin Rider Ride-On Scooter, Scooter, dated at least as early as Jan. 1, 2013.

<<http://smart-trike.com/products/product-sample-1/>>, SmarTrike All-in-One, 6-in-1, Scooter, dated at least as early as Jan. 1, 2013.

<<http://www.littletikesitalia.com/uploaded/pdf/9061611.pdf>>, Little Tikes 2-in-1 Scooter, Scooter, dated at least as early as Jan. 1, 2013.

<<http://www.micro-scooters.co.uk/scooters-model-3-in-1-seat-ages-1-3.html>>, Micro 3-in-1 Seat, Scooter, dated at least as early as Jan. 1, 2013.

<http://www.hasbro.com/playskool/en_US/shop/details.cfm?R=8EC46935-6D40-1014-8BF0-9EFBF894F9D4:en_US>, Playskool Explore 'N Grow Step Start Walk 'N Ride, Scooter, dated at least as early as Jan. 1, 2013.

* cited by examiner

Primary Examiner — Cynthia M Chin

(74) *Attorney, Agent, or Firm* — McDermott Will & Emery LLP

(57) **CLAIM**

We claim the ornamental design for a ride-on vehicle, as shown and described.

DESCRIPTION

FIG. 1 is a perspective view of a ride-on vehicle according to the new design;

FIG. 2 is a side view of the ride-on vehicle shown in FIG. 1;

FIG. 3 is a front view of the ride-on vehicle shown in FIG. 1;

FIG. 4 is a rear view of the ride-on vehicle shown in FIG. 1;

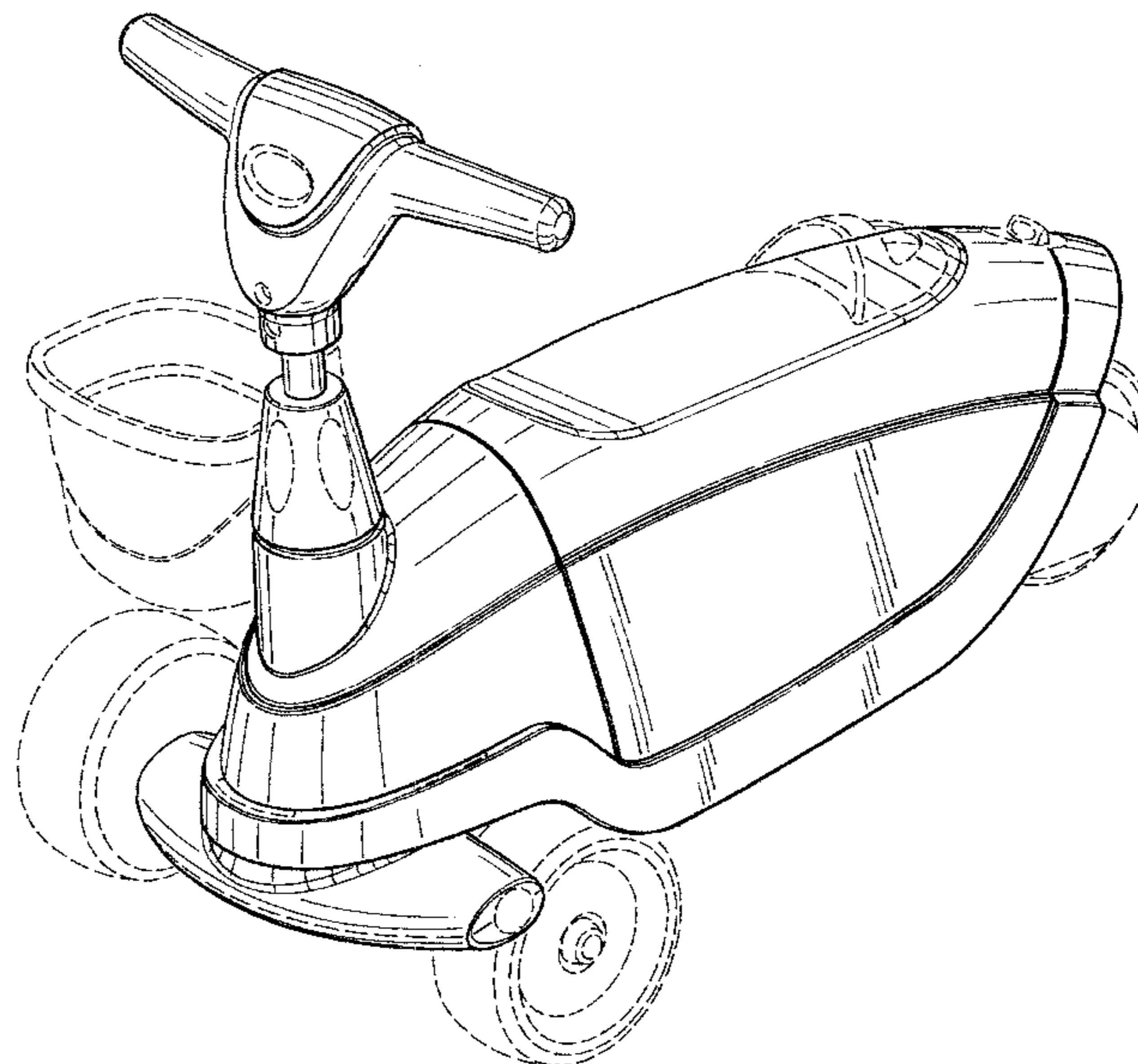
FIG. 5 is a top view of the ride-on vehicle shown in FIG. 1;

and,

FIG. 6 is a bottom view of the ride-on vehicle shown in FIG. 1.

Features shown in broken lines in the drawings are not part of the claim.

1 Claim, 5 Drawing Sheets



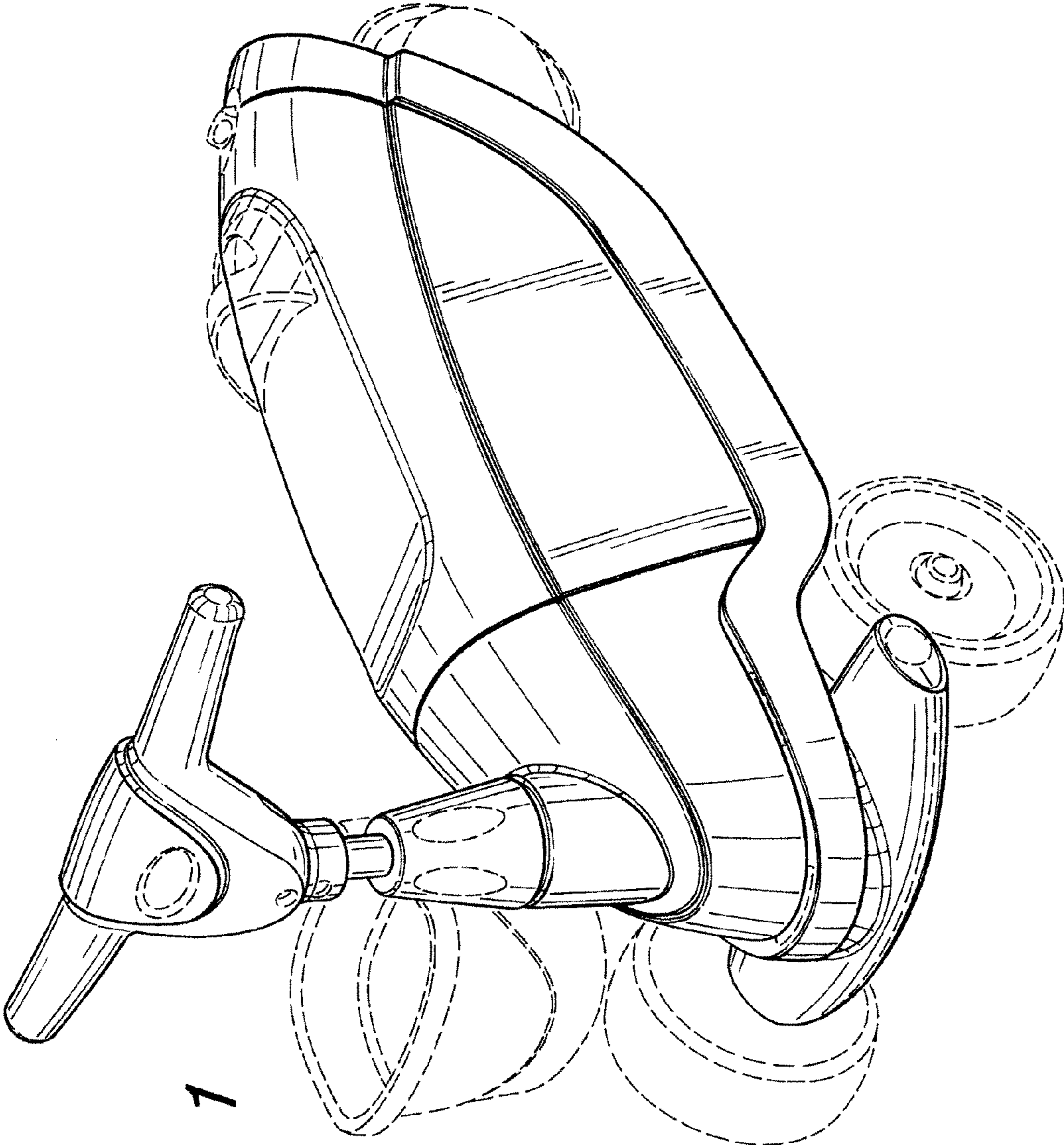


FIG. 1

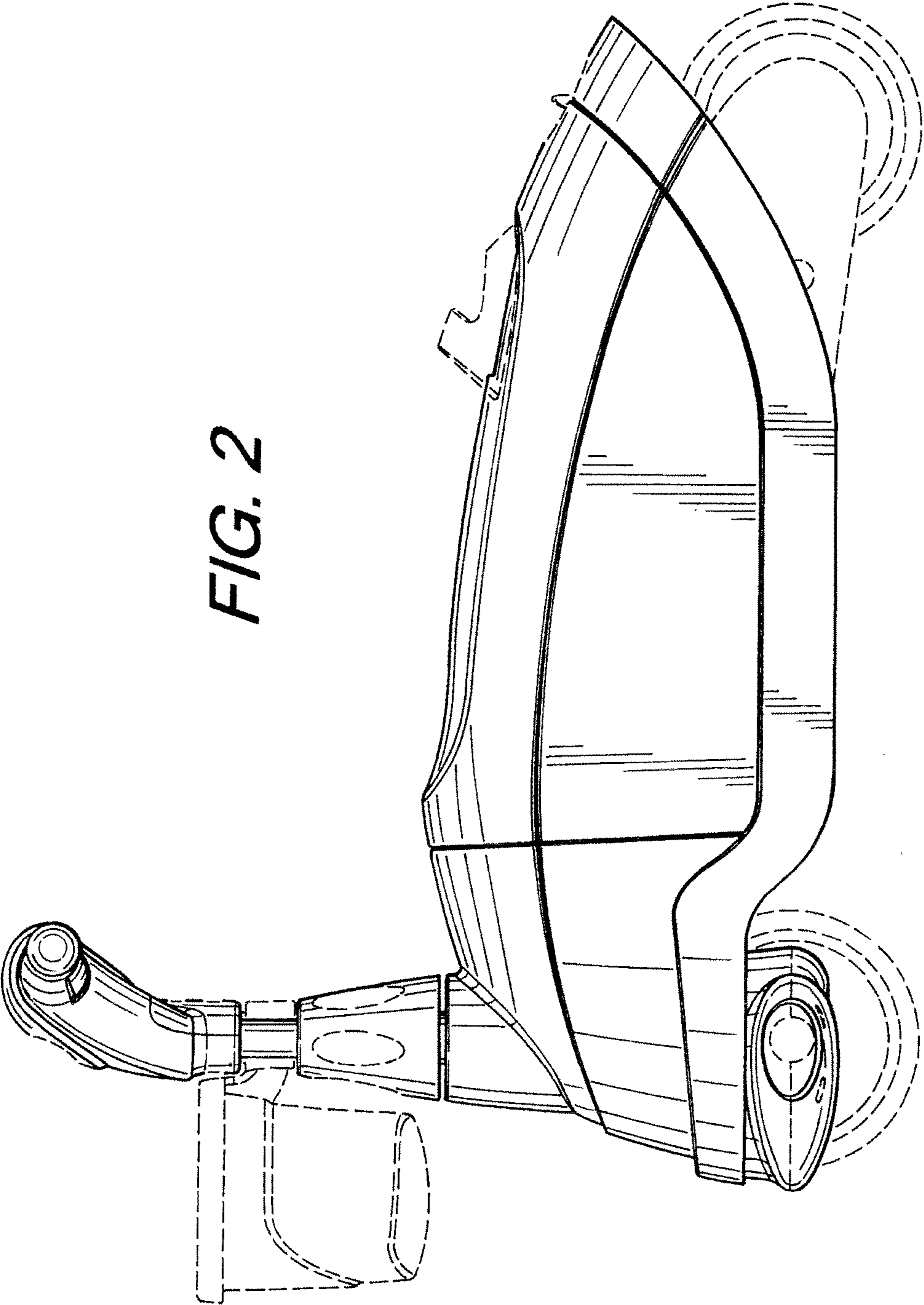


FIG. 2

FIG. 4

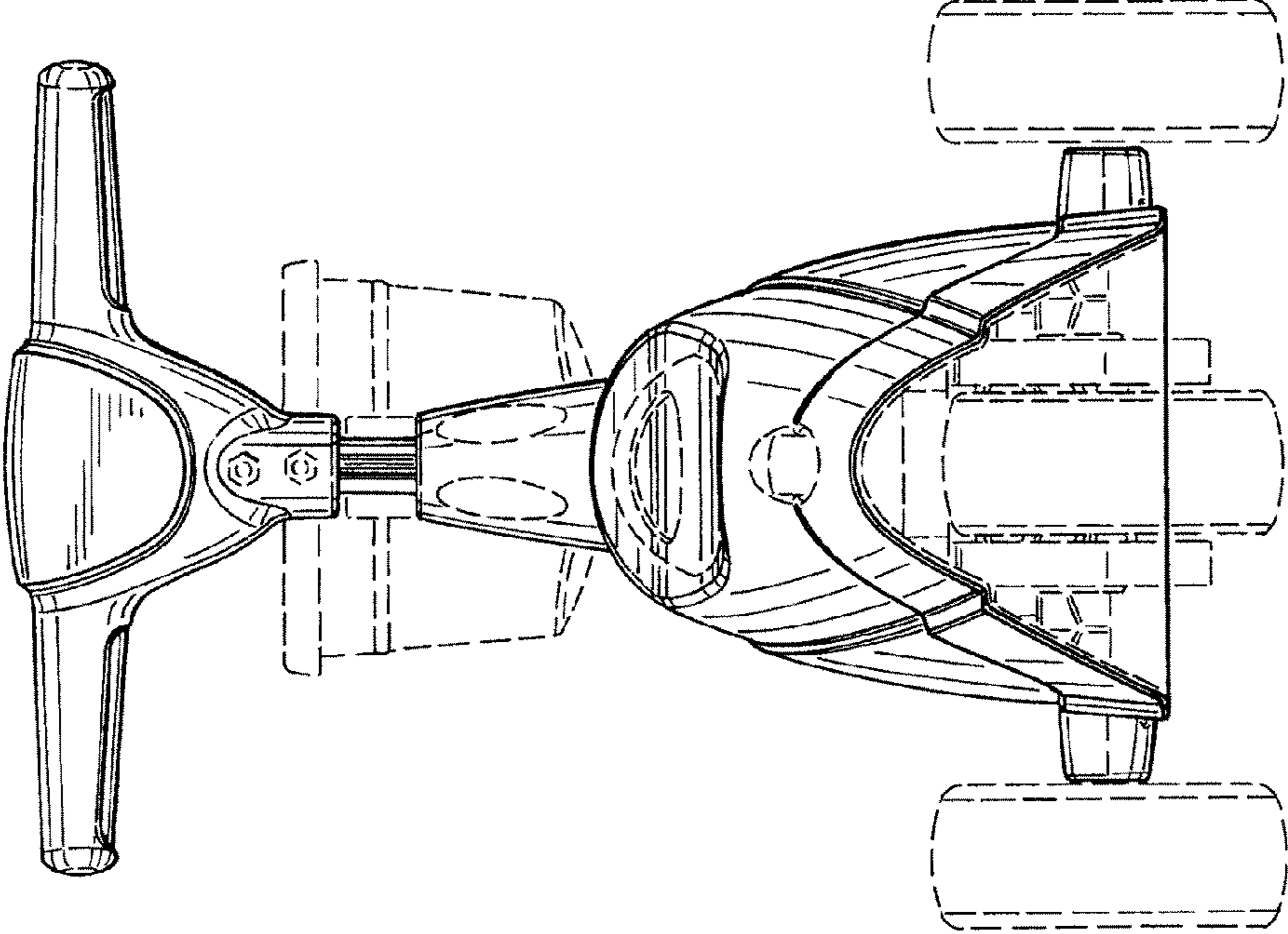


FIG. 3

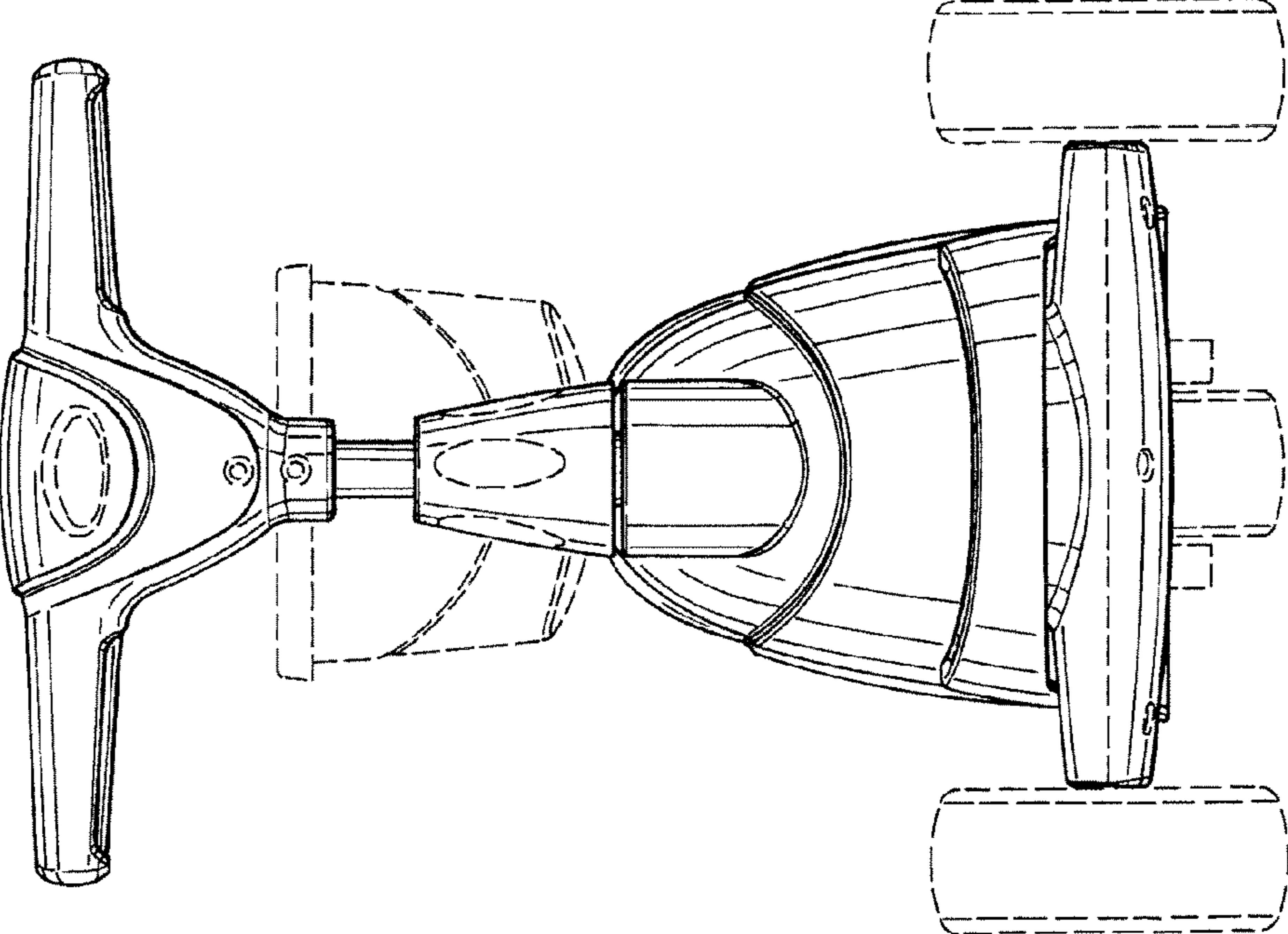
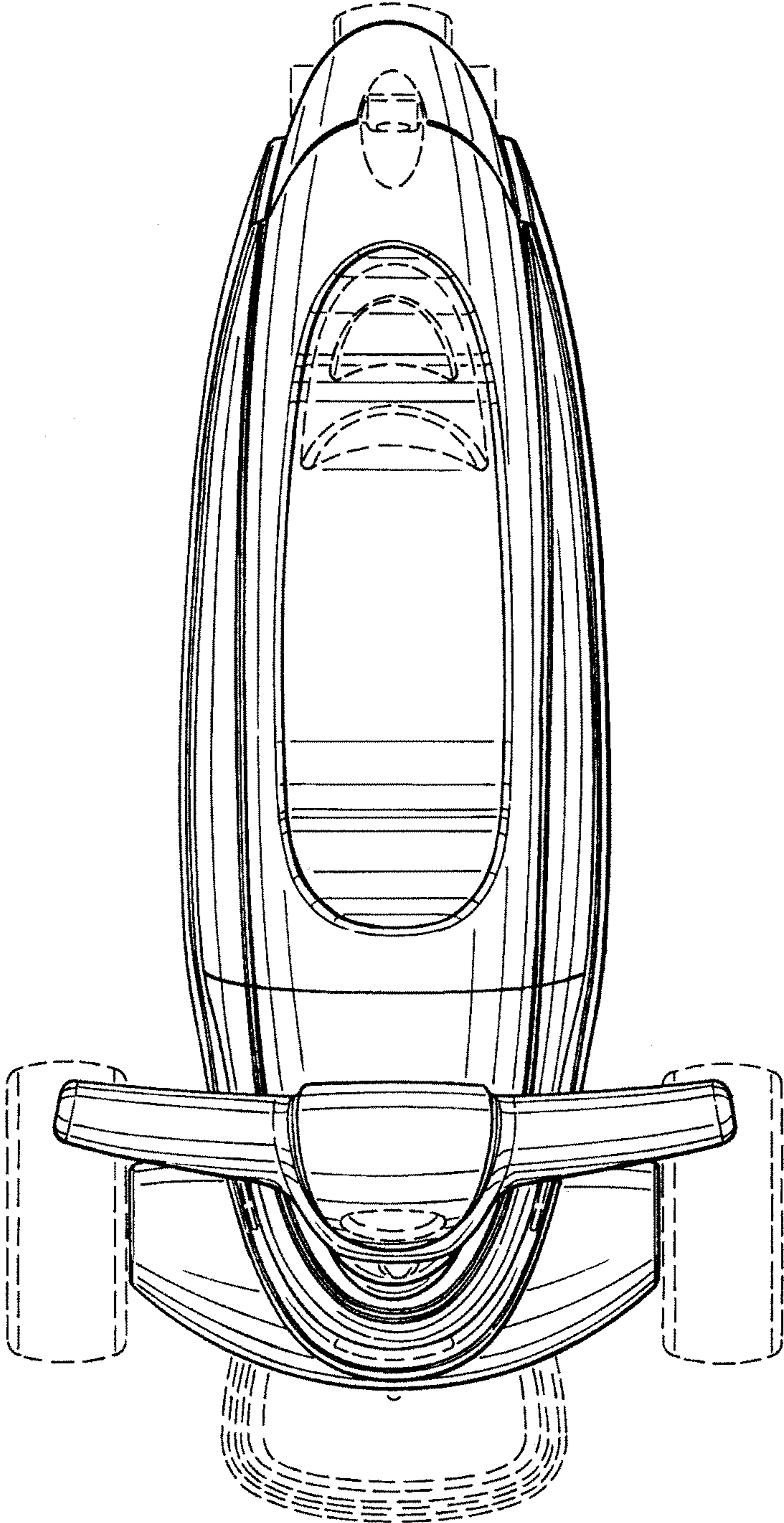


FIG. 5



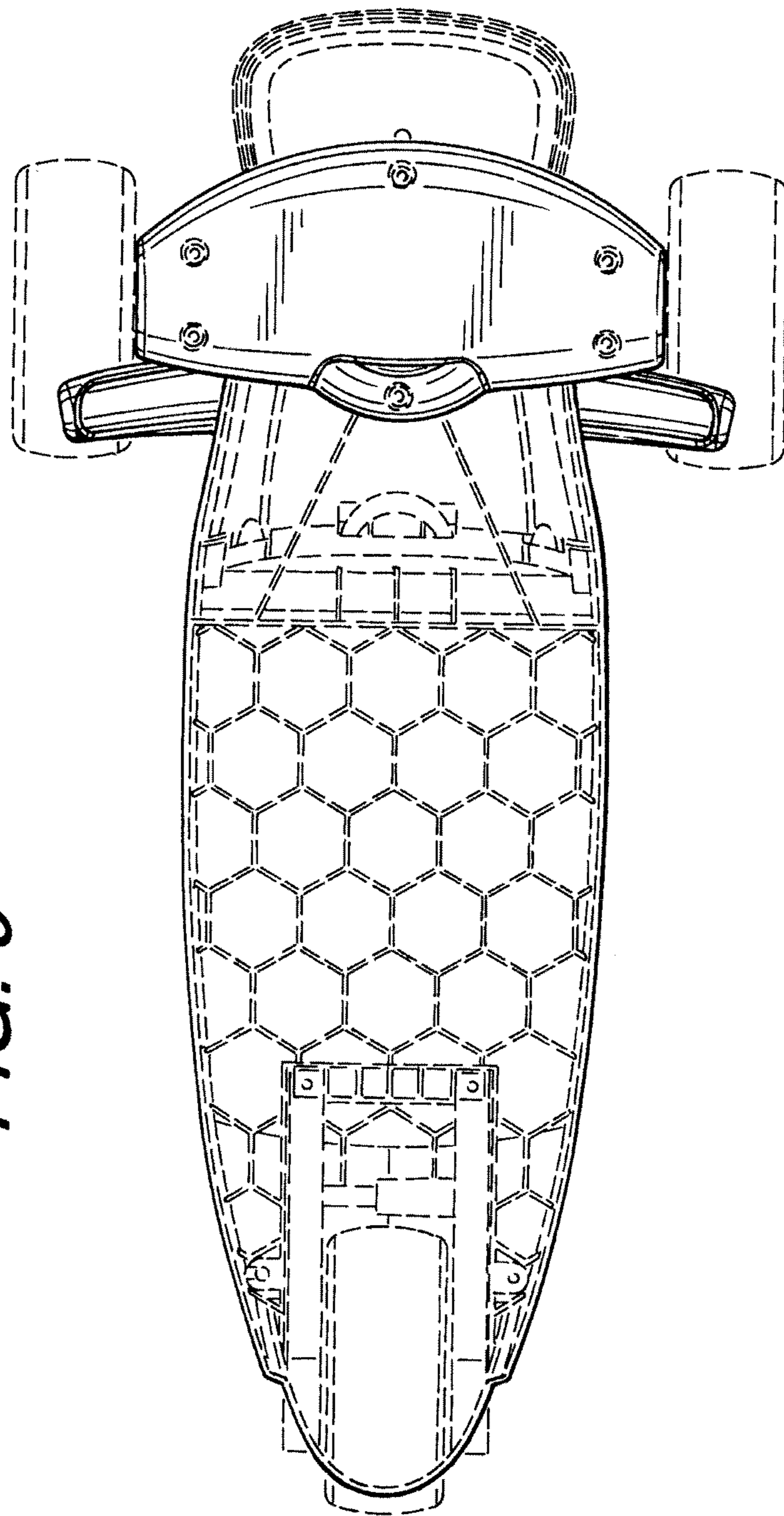


FIG. 6