



US00D701264S

(12) **United States Design Patent**
Li

(10) **Patent No.:** **US D701,264 S**
(45) **Date of Patent:** **** Mar. 18, 2014**

(54) **PEN**
(71) Applicant: **Beifa Group Co., Ltd.**, Zhejiang (CN)
(72) Inventor: **Bin Li**, Ningbo (CN)
(73) Assignee: **Beifa Group Co., Ltd.**, Ningbo (CN)
(**) Term: **14 Years**
(21) Appl. No.: **29/438,459**
(22) Filed: **Nov. 29, 2012**

(30) **Foreign Application Priority Data**
May 29, 2012 (CN) 2012 3 0205271
(51) **LOC (10) Cl.** **19-06**
(52) **U.S. Cl.**
USPC **D19/50**
(58) **Field of Classification Search**
USPC D14/411; D19/35, 36, 41-51, 53-58;
24/11 F, 11 R, 11 P; 402/52, 99-109,
402/192, 195, 196
See application file for complete search history.

(56) **References Cited**
U.S. PATENT DOCUMENTS
D206,735 S 1/1967 Levy
D328,311 S 7/1992 Nitta
D332,627 S * 1/1993 Anavil et al. D19/49
D332,963 S * 2/1993 Anavil et al. D19/49
D340,069 S 10/1993 Garry
D363,739 S * 10/1995 Petrillo D19/48
D368,738 S * 4/1996 Osada et al. D19/51
D374,460 S 10/1996 Young
D375,323 S 11/1996 Young
D377,194 S 1/1997 Young
D379,372 S 5/1997 Young
D383,780 S 9/1997 Young
D388,825 S * 1/1998 Kouda D19/49

D391,153 S 2/1998 Poisson
D394,673 S 5/1998 Moorthy
D489,088 S 4/2004 Arita
D535,695 S * 1/2007 Chen D19/51
D539,845 S 4/2007 Hamilton
D546,386 S 7/2007 Qiu
D546,387 S 7/2007 Qiu
D558,827 S * 1/2008 Feng et al. D19/50
D559,318 S * 1/2008 Qiu et al. D19/51
D566,764 S * 4/2008 Kent et al. D19/50
D575,338 S * 8/2008 Shimizu D19/49
D586,853 S 2/2009 Tan
D642,616 S * 8/2011 Kui D19/36

(Continued)

OTHER PUBLICATIONS

Jiang, L., "Ball Point Pen," U.S. Appl. No. 29/423,977, filed Jun. 6, 2012.

(Continued)

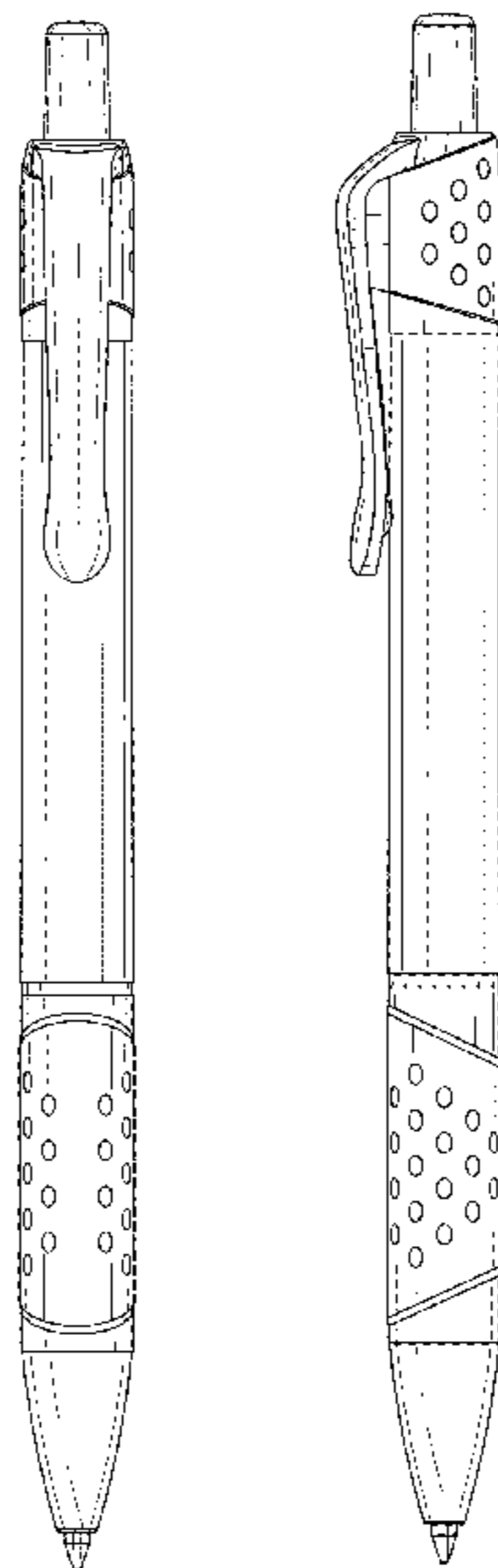
Primary Examiner — Elizabeth Albert
(74) *Attorney, Agent, or Firm* — Christensen O'Connor Johnson Kindness PLLC

(57) **CLAIM**
The ornamental design for a pen, as shown and described.

DESCRIPTION

FIG. 1 is a lower front left perspective view of a pen showing my new design;
FIG. 2 is a front elevation view thereof;
FIG. 3 is a rear elevation view thereof;
FIG. 4 is a right side elevation view thereof, with the left side elevation view being a mirror image of the right side elevation view;
FIG. 5 is an enlarged top plan view thereof; and,
FIG. 6 is an enlarged bottom plan view thereof.
The broken lines shown in FIG. 5 illustrate environmental subject matter and form no part of the claimed design.

1 Claim, 3 Drawing Sheets



(56)

References Cited

OTHER PUBLICATIONS

U.S. PATENT DOCUMENTS

D655,337 S 3/2012 Zhang
D661,736 S 6/2012 Zhang
D661,737 S 6/2012 Zhang
D662,981 S 7/2012 Xie
D667,875 S 9/2012 Liang
D667,880 S * 9/2012 Zhang D19/47
D668,292 S 10/2012 Chen
D679,326 S * 4/2013 Li et al. D19/50
D689,933 S * 9/2013 Li D19/48

Jiang, L., "Ball Point Pen," U.S. Appl. No. 29/423,979, filed Jun. 6, 2012.
Ke, C., "Pen," U.S. Appl. No. 29/439,554, filed Dec. 12, 2012.
Zhang, B., "Pen Cap," U.S. Appl. No. 29/416,054, filed Mar. 16, 2012.

* cited by examiner

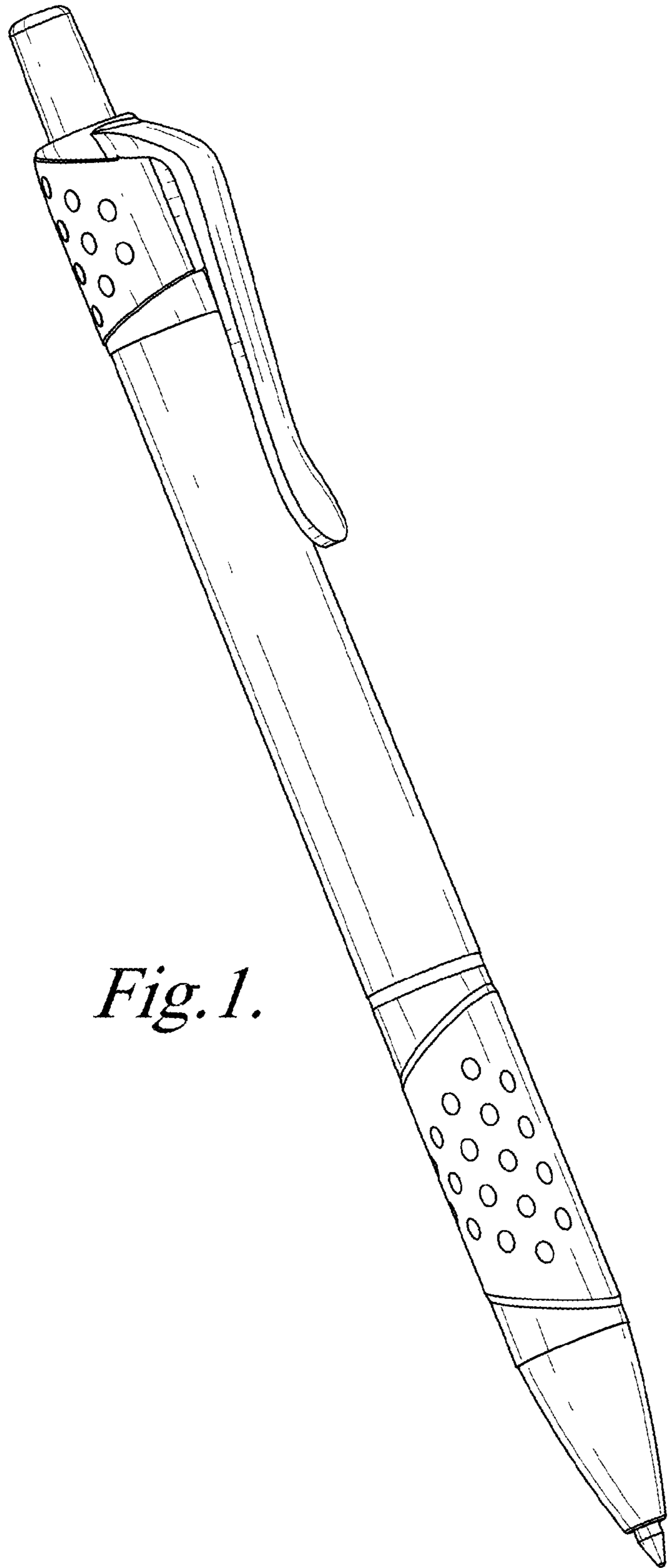


Fig. 1.

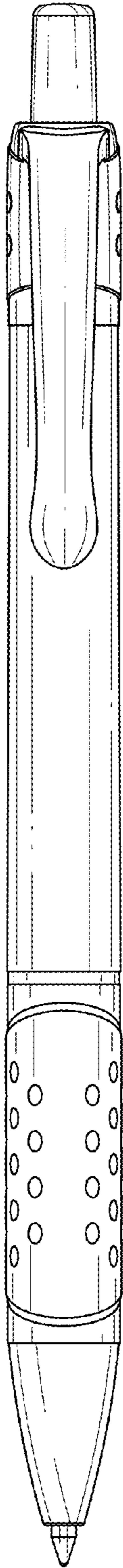


Fig. 2.

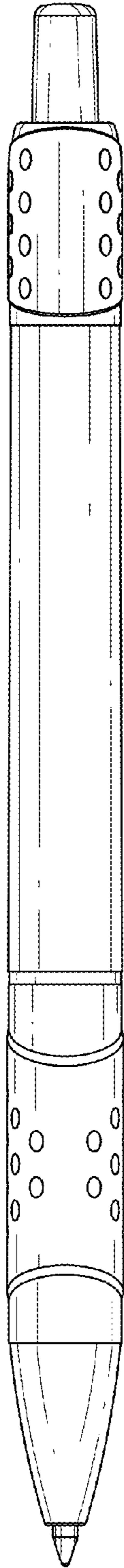


Fig. 3.

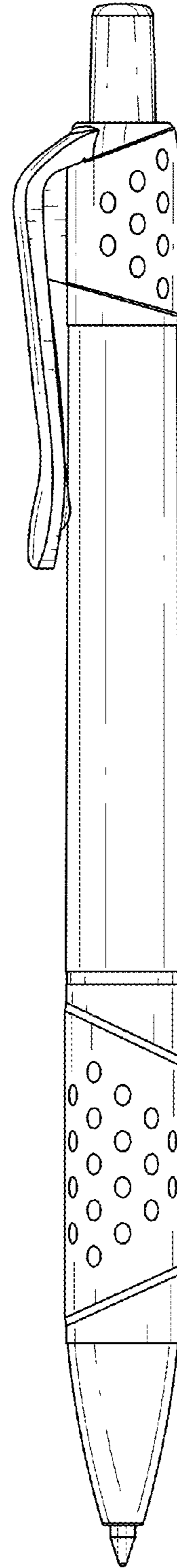


Fig. 4.

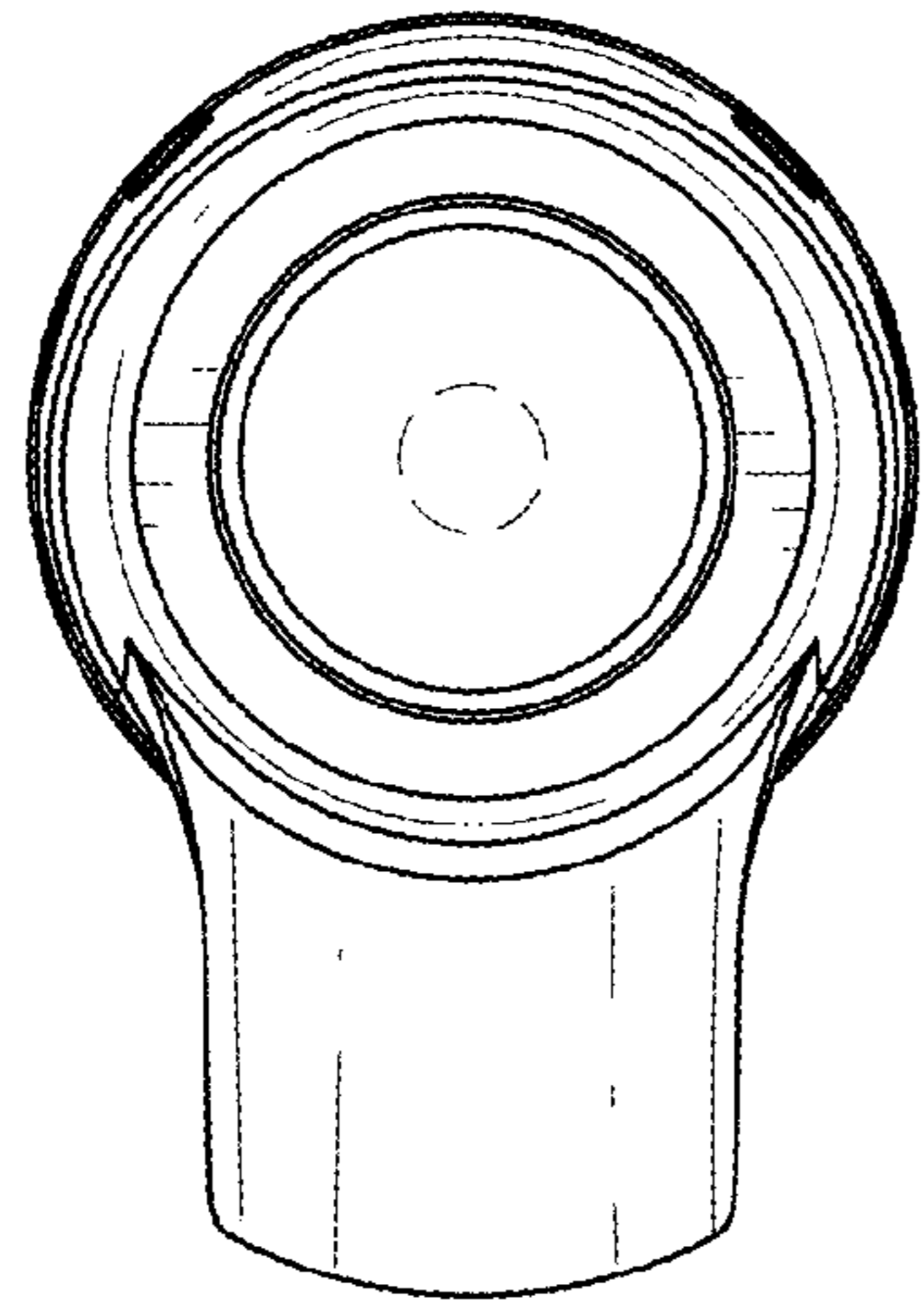


Fig. 5.

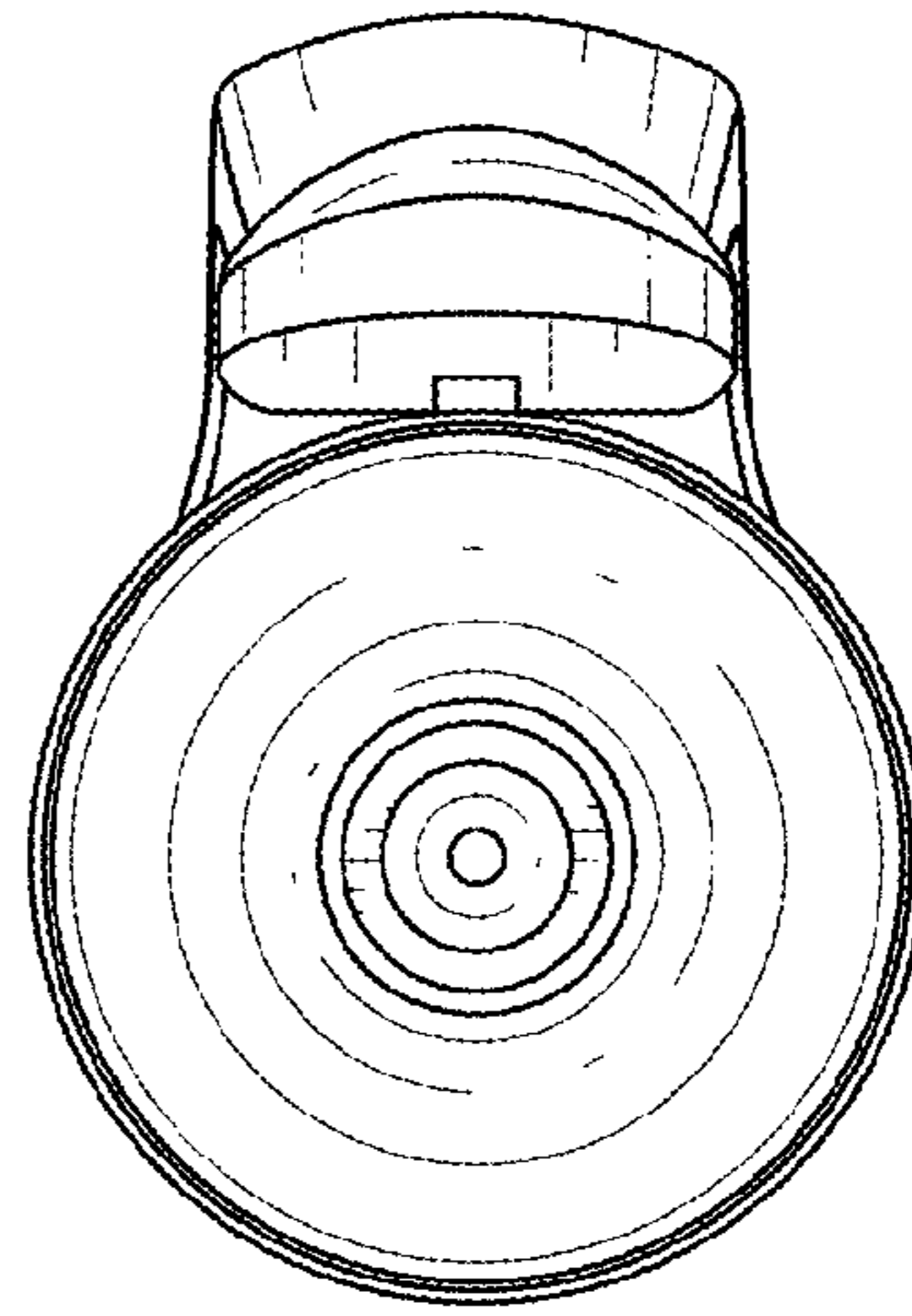


Fig. 6.