



US00D701261S

(12) **United States Design Patent**
Burton

(10) **Patent No.:** **US D701,261 S**
(45) **Date of Patent:** **** Mar. 18, 2014**

(54) **CAMERA BRACKET**

(71) Applicant: **Frederick Allen Burton**, East Elmhurst, NY (US)

(72) Inventor: **Frederick Allen Burton**, East Elmhurst, NY (US)

(**) Term: **14 Years**

(21) Appl. No.: **29/464,703**

(22) Filed: **Aug. 20, 2013**

Related U.S. Application Data

(63) Continuation of application No. 29/445,429, filed on Feb. 12, 2013, now abandoned.

(51) **LOC (10) Cl.** **16-05**

(52) **U.S. Cl.**
USPC **D16/242**

(58) **Field of Classification Search**
USPC D16/200–204, 208, 214, 219, 235, 237, D16/242–245, 250; D14/217, 511; 248/176.1, 177.1, 178.1, 179.1, 180.1, 248/183.1, 187.1, 683; 348/373, 375; 396/419–428; D8/354–355, 394, 395
See application file for complete search history.

(56) **References Cited**

U.S. PATENT DOCUMENTS

D202,231	S	*	9/1965	Schroth	D16/242
3,851,164	A		11/1974	Intrator		
3,852,582	A		12/1974	Lowell		
3,999,055	A	*	12/1976	Wakahara et al.	362/432
4,104,623	A	*	8/1978	Sloop	396/422
D250,766	S	*	1/1979	Ozawa	D16/239
4,187,531	A		2/1980	Lowell et al.		
4,524,405	A		6/1985	Heard		
4,752,794	A	*	6/1988	Bohannon	396/189
4,777,566	A		10/1988	Lowell et al.		

5,121,147	A	*	6/1992	Wada et al.	396/198
D328,088	S	*	7/1992	Horino	D16/239
5,186,341	A		2/1993	Zeid		
5,195,381	A		3/1993	Keibler		
D350,556	S	*	9/1994	Costanza	D16/243
D367,284	S	*	2/1996	Hoerter	D16/242

(Continued)

FOREIGN PATENT DOCUMENTS

CN			2816586	Y		9/2006
CN			100387945	C		5/2008

(Continued)

OTHER PUBLICATIONS

Roller Conveyor St Fastening Bracket D30 with Stop H27, bright zinc-plated // Product No. 0.0.642.46; http://catalog.item24us.com/en/product_info.php?info=p64246_Roller-...

(Continued)

Primary Examiner — Susan Bennett Hattan
Assistant Examiner — Vy Koenig
(74) *Attorney, Agent, or Firm* — Gearhart Law, LLC

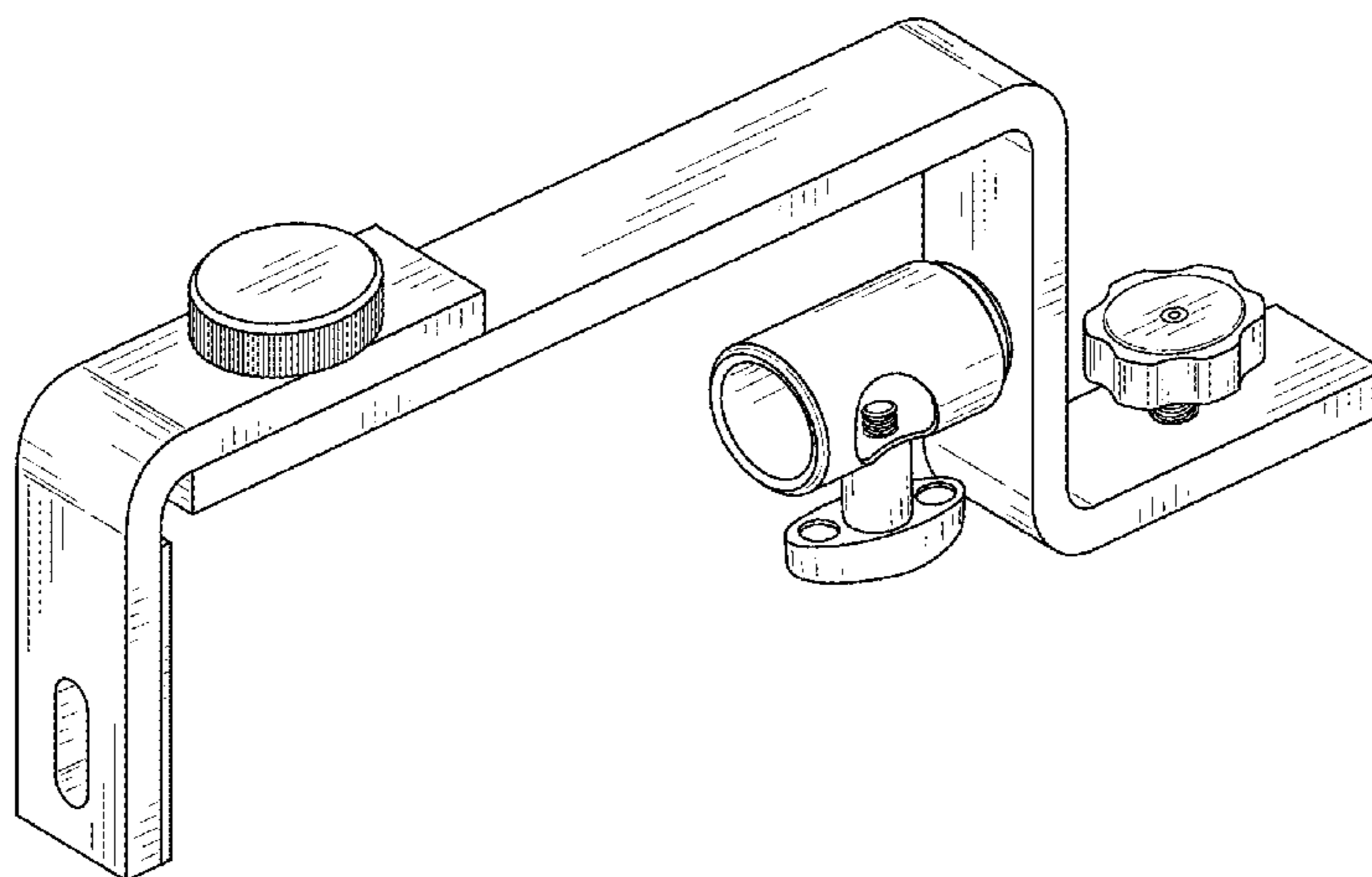
(57) **CLAIM**

I claim the ornamental design for a camera bracket, as shown and described.

DESCRIPTION

FIG. 1 is a side view of the camera bracket of the new design. FIG. 2 is another side view thereof. FIG. 3 is a top view of FIG. 1. FIG. 4 is a bottom view thereof. FIG. 5 is a front view FIG. 1. FIG. 6 is a back view thereof. FIG. 7 is a top-front perspective view of the camera bracket of the new design; and, FIG. 8 is a bottom-back perspective view thereof.

1 Claim, 5 Drawing Sheets



(56)

References Cited

FOREIGN PATENT DOCUMENTS

U.S. PATENT DOCUMENTS

D399,863 S * 10/1998 LaCicero D16/242
 5,947,696 A 9/1999 Baumgarten
 D425,540 S * 5/2000 Hubbell D16/242
 6,244,548 B1 6/2001 Gillette
 6,477,800 B1 11/2002 Payne
 6,658,796 B1 12/2003 Higgins
 6,860,472 B2 3/2005 Striebel et al.
 7,028,963 B1 4/2006 Silva et al.
 7,128,354 B2 10/2006 Wu
 7,429,025 B1 9/2008 Gretz
 7,496,454 B2 2/2009 Rogers et al.
 7,500,646 B2 3/2009 Chapman
 7,740,220 B2 6/2010 Jeanveau
 7,758,480 B1 7/2010 Chen et al.
 7,913,435 B1 3/2011 Hummel, III et al.
 7,926,496 B2 4/2011 Young et al.
 8,066,232 B2 11/2011 Wills et al.
 8,297,576 B2 10/2012 McLeod
 8,328,440 B2 * 12/2012 Piltz 396/428

CN 101820844 B 4/2012
 GB 2 408 316 A 5/2005
 JP 2010-12867 A 1/2010

OTHER PUBLICATIONS

Table-Top Fastening Bracket D30, bright zinc-plated // Product No. 0.0.647.11; [http://catalog.item24us.com/product_info.php?info=p64711_Table-Top-F](http://catalog.item24us.com/product_info.php?info=p64711_Table-Top-F...)
 Nepro Display; <http://www.slvlighting.com/products/object-lighting/nepro-display.aspx>.
 Roller Conveyor A1, Fastening Bracket I D30, bright zinc-plated; [http://www.item24.de/en/products/product-catalogue/productdetails/prod](http://www.item24.de/en/products/product-catalogue/productdetails/prod...)
 Weldfast Brackets; Emhart Teknologies; <http://www.emhart.eu/en/products-services/products-by-category/>.
 Para FB broncolor (brochure photo).

* cited by examiner

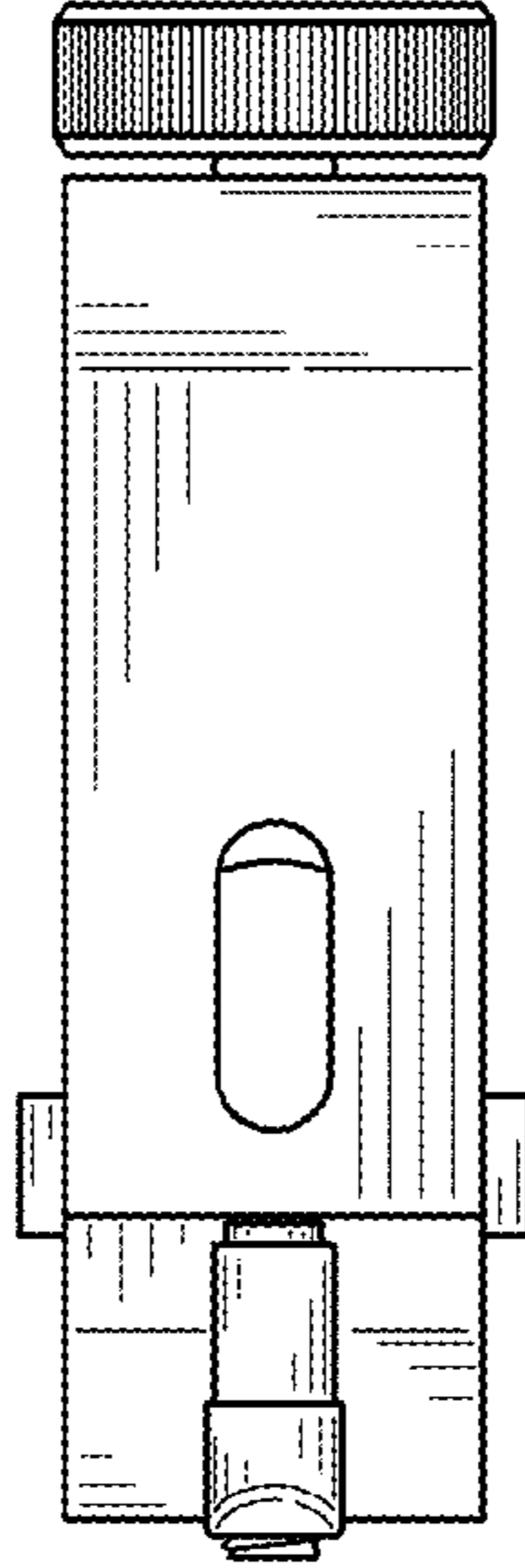


FIG. 1

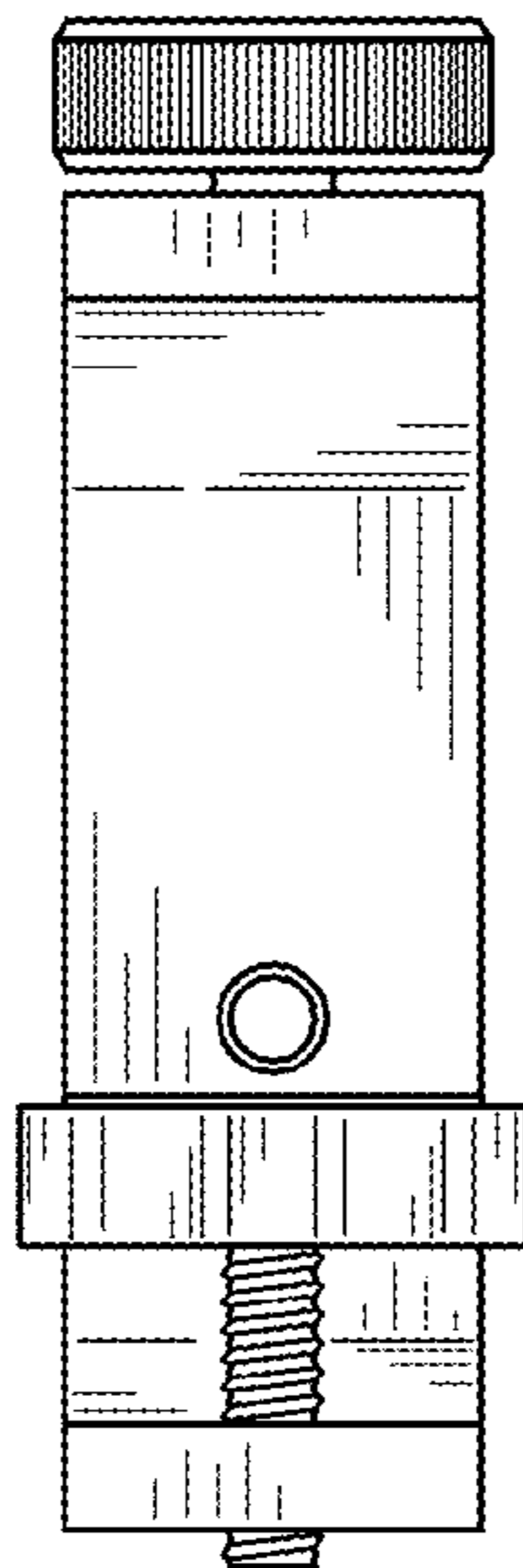


FIG. 2

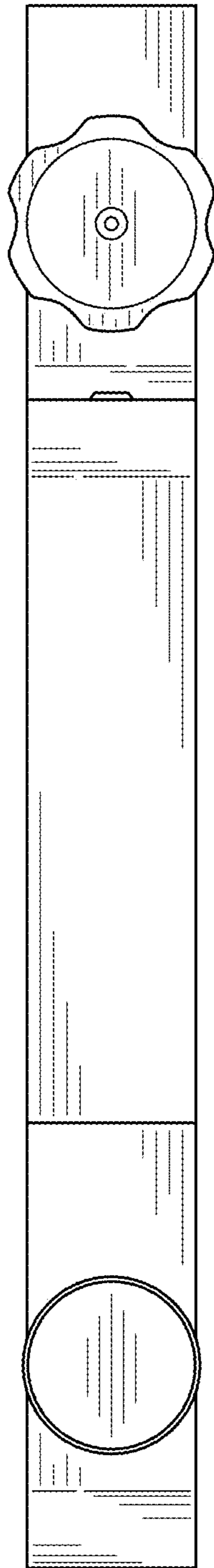


FIG. 3

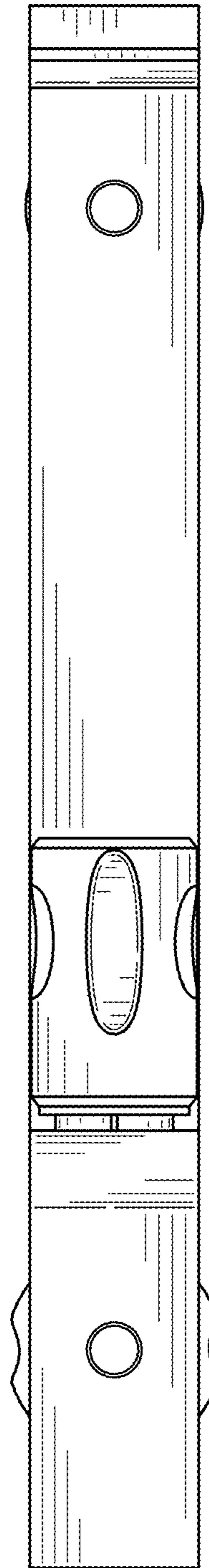


FIG. 4

FIG. 5

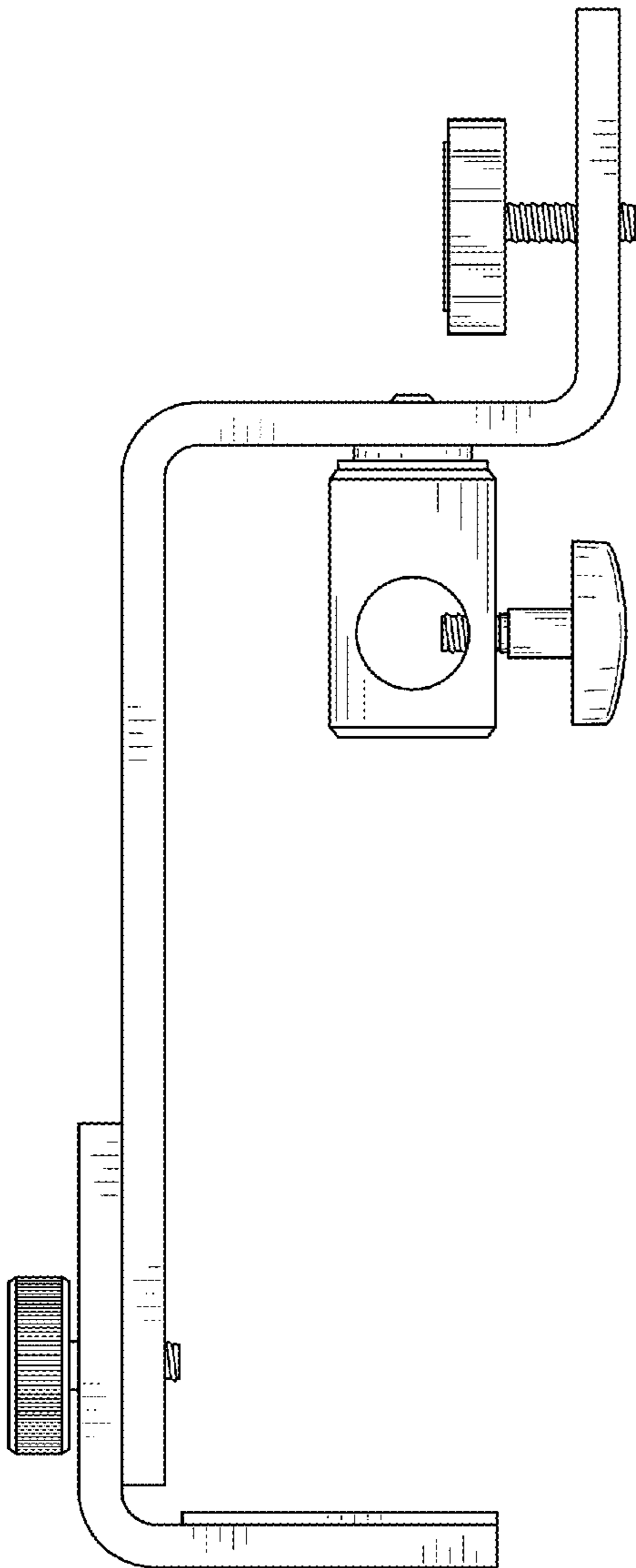
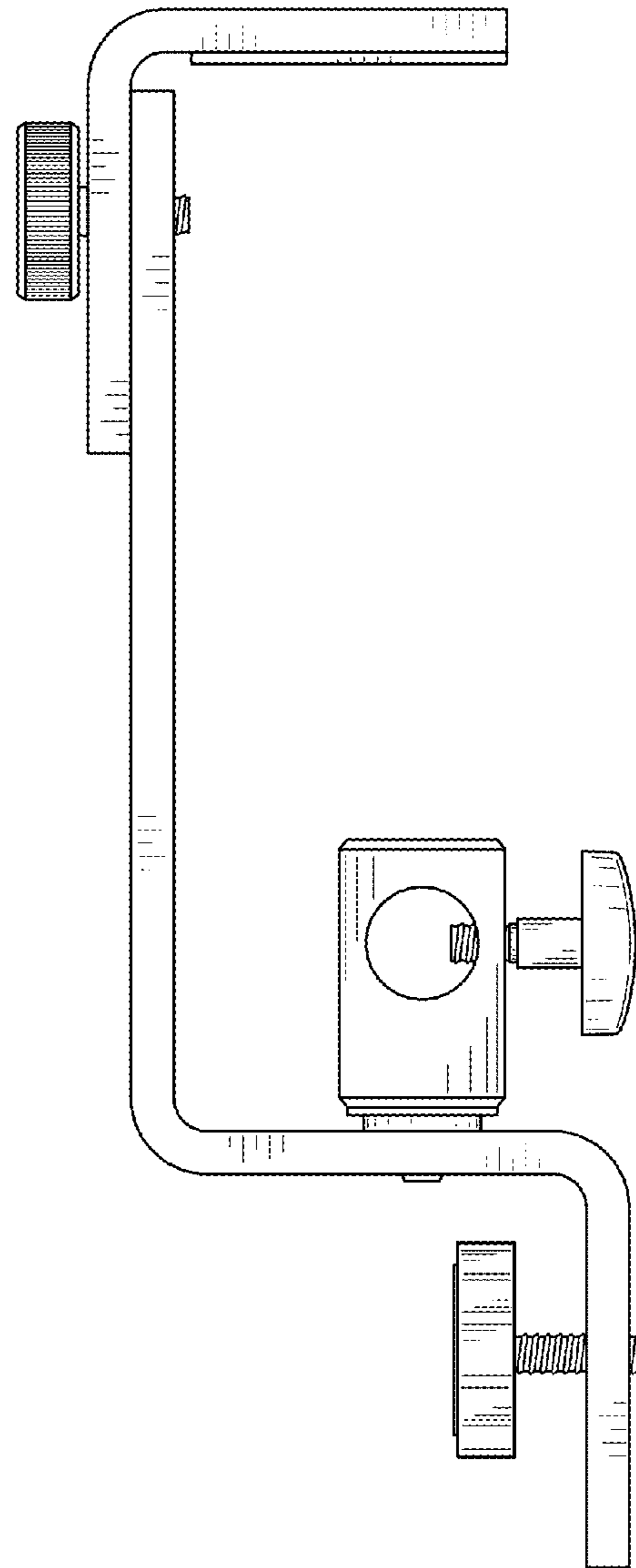


FIG. 6



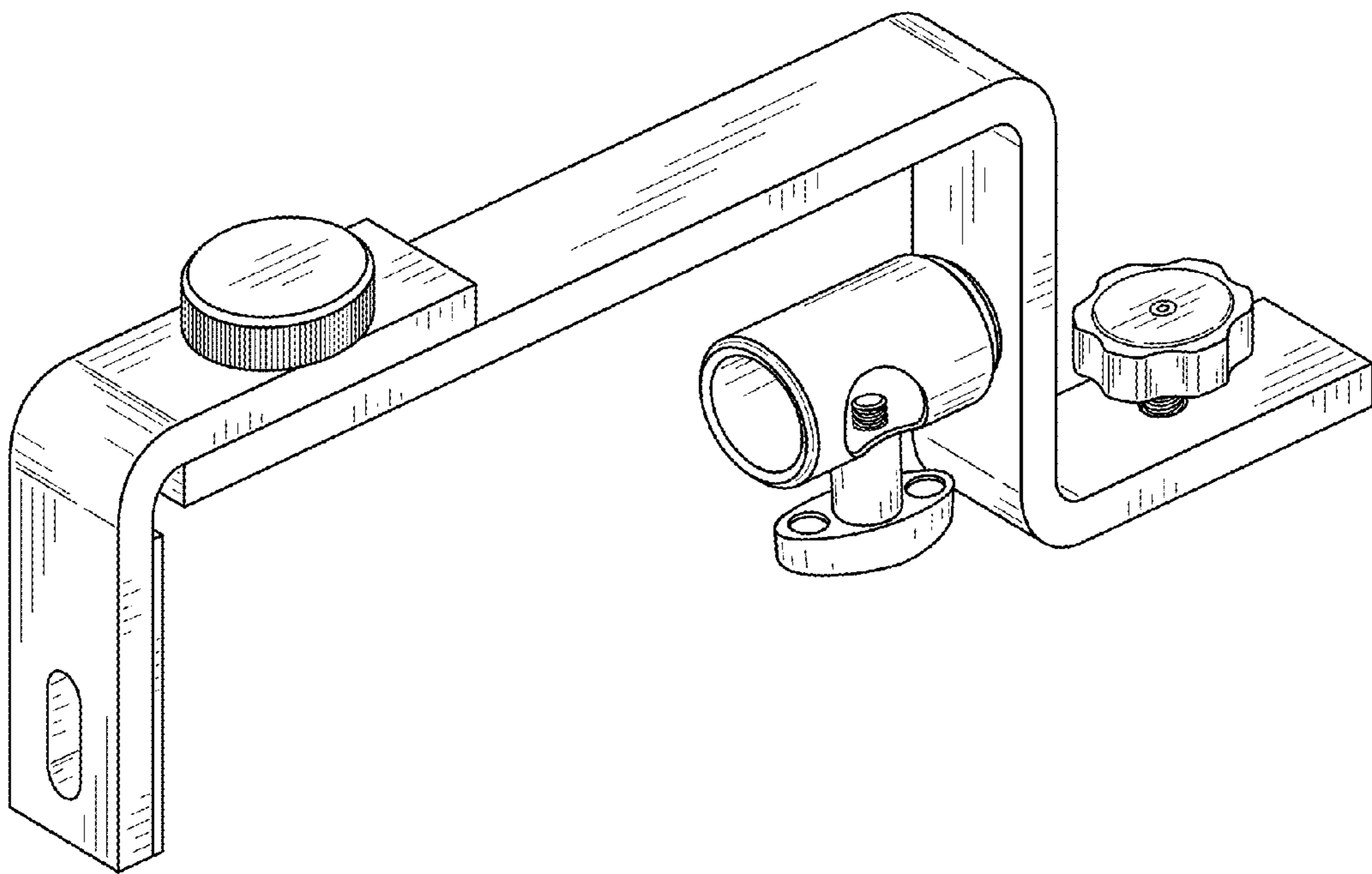


FIG. 7

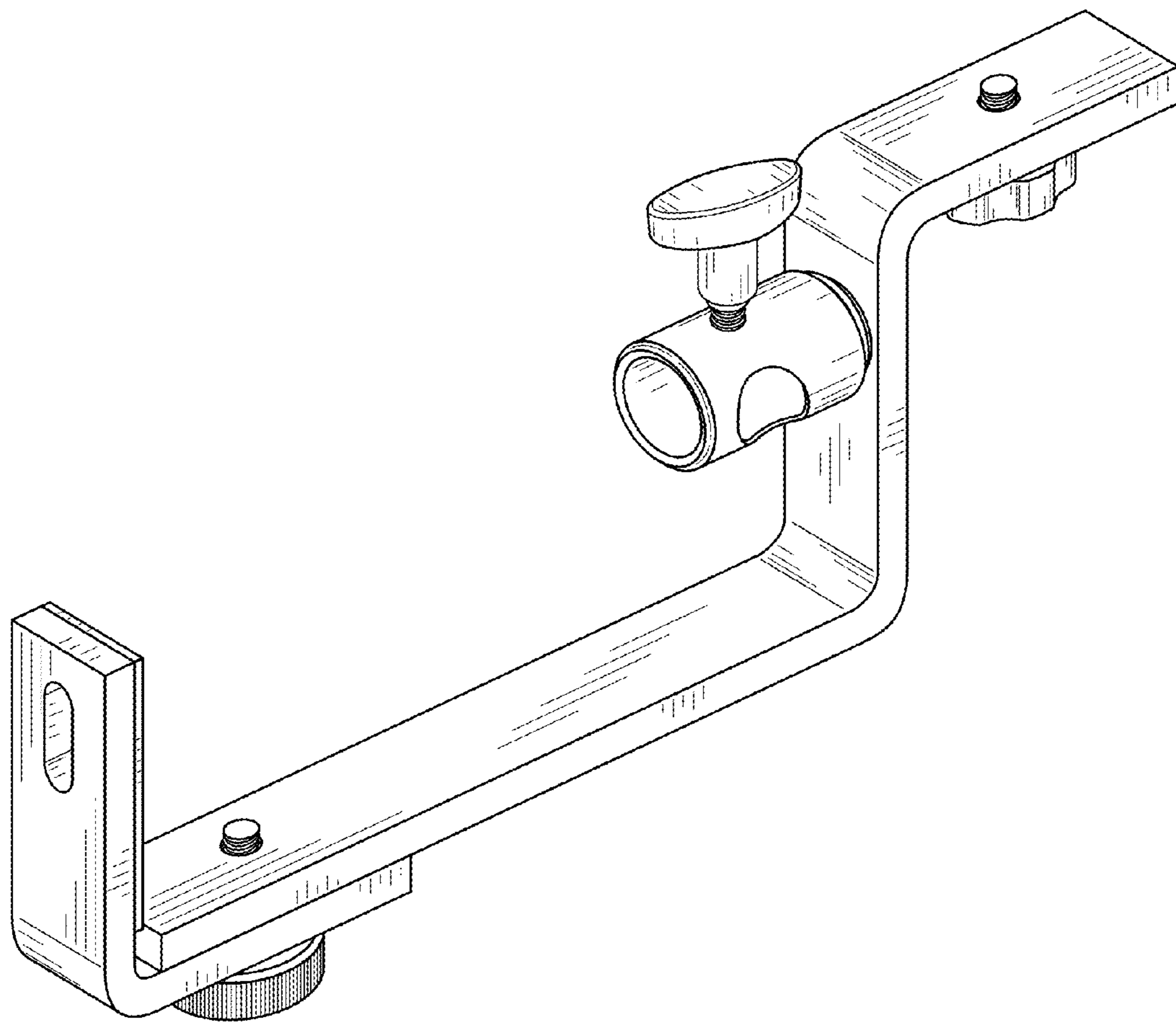


FIG. 8