



US00D701260S

(12) **United States Design Patent**
Burton

(10) **Patent No.:** **US D701,260 S**
(45) **Date of Patent:** **** Mar. 18, 2014**

(54) **CAMERA BRACKET**

(71) Applicant: **Frederick Allen Burton**, East Elmhurst, NY (US)

(72) Inventor: **Frederick Allen Burton**, East Elmhurst, NY (US)

(**) Term: **14 Years**

(21) Appl. No.: **29/445,428**

(22) Filed: **Feb. 12, 2013**

(51) **LOC (10) Cl.** **16-05**

(52) **U.S. Cl.**
USPC **D16/242**

(58) **Field of Classification Search**
USPC D16/200–204, 208, 214, 219, 235, 237, D16/242–245, 250; D14/217, 511; 248/176.1, 177.1, 178.1, 179.1, 180.1, 248/183.1, 187.1, 683; 348/373, 375; 396/419–428; D8/354–355, 394, 395
See application file for complete search history.

(56) **References Cited**

U.S. PATENT DOCUMENTS

| | | | | |
|-----------|-----|---------|-----------------|---------|
| 3,851,164 | A | 11/1974 | Intrator | |
| 3,852,582 | A | 12/1974 | Lowell | |
| 3,999,055 | A * | 12/1976 | Wakahara et al. | 362/432 |
| D250,766 | S * | 1/1979 | Ozawa | D16/239 |
| 4,187,531 | A | 2/1980 | Lowell et al. | |
| 4,524,405 | A | 6/1985 | Heard | |
| 4,777,566 | A | 10/1988 | Lowell et al. | |
| 5,121,147 | A * | 6/1992 | Wada et al. | 396/198 |
| D328,088 | S * | 7/1992 | Horino | D16/239 |
| 5,186,341 | A | 2/1993 | Zeid | |
| 5,195,381 | A | 3/1993 | Keibler | |
| D342,011 | S * | 12/1993 | Maguire | D8/349 |
| D357,172 | S * | 4/1995 | Hsu | D8/354 |
| D367,284 | S * | 2/1996 | Hoerter | D16/242 |
| D399,863 | S * | 10/1998 | LaCicero | D16/242 |
| 5,947,696 | A | 9/1999 | Baumgarten | |

| | | | | |
|-----------|-----|---------|------------------|---------|
| D425,540 | S * | 5/2000 | Hubbell | D16/242 |
| 6,244,548 | B1 | 6/2001 | Gillette | |
| 6,477,800 | B1 | 11/2002 | Payne | |
| 6,658,796 | B1 | 12/2003 | Higgins | |
| D491,054 | S * | 6/2004 | Caterinacci, Jr. | D8/381 |
| 6,860,472 | B2 | 3/2005 | Striebel et al. | |

(Continued)

FOREIGN PATENT DOCUMENTS

| | | | |
|----|-----------|---|--------|
| CN | 2816586 | Y | 9/2006 |
| CN | 100387945 | C | 5/2008 |

(Continued)

OTHER PUBLICATIONS

Roller Conveyor St Fastening Bracket D30 with Stop H27, bright zinc-plated // Product No. 0.0.642.46; http://catalog.item24us.com/en/product_info.php?info=p64246_Roller-...

(Continued)

Primary Examiner — Susan Bennett Hattan
Assistant Examiner — Vy Koenig
(74) *Attorney, Agent, or Firm* — Gearhart Law, LLC

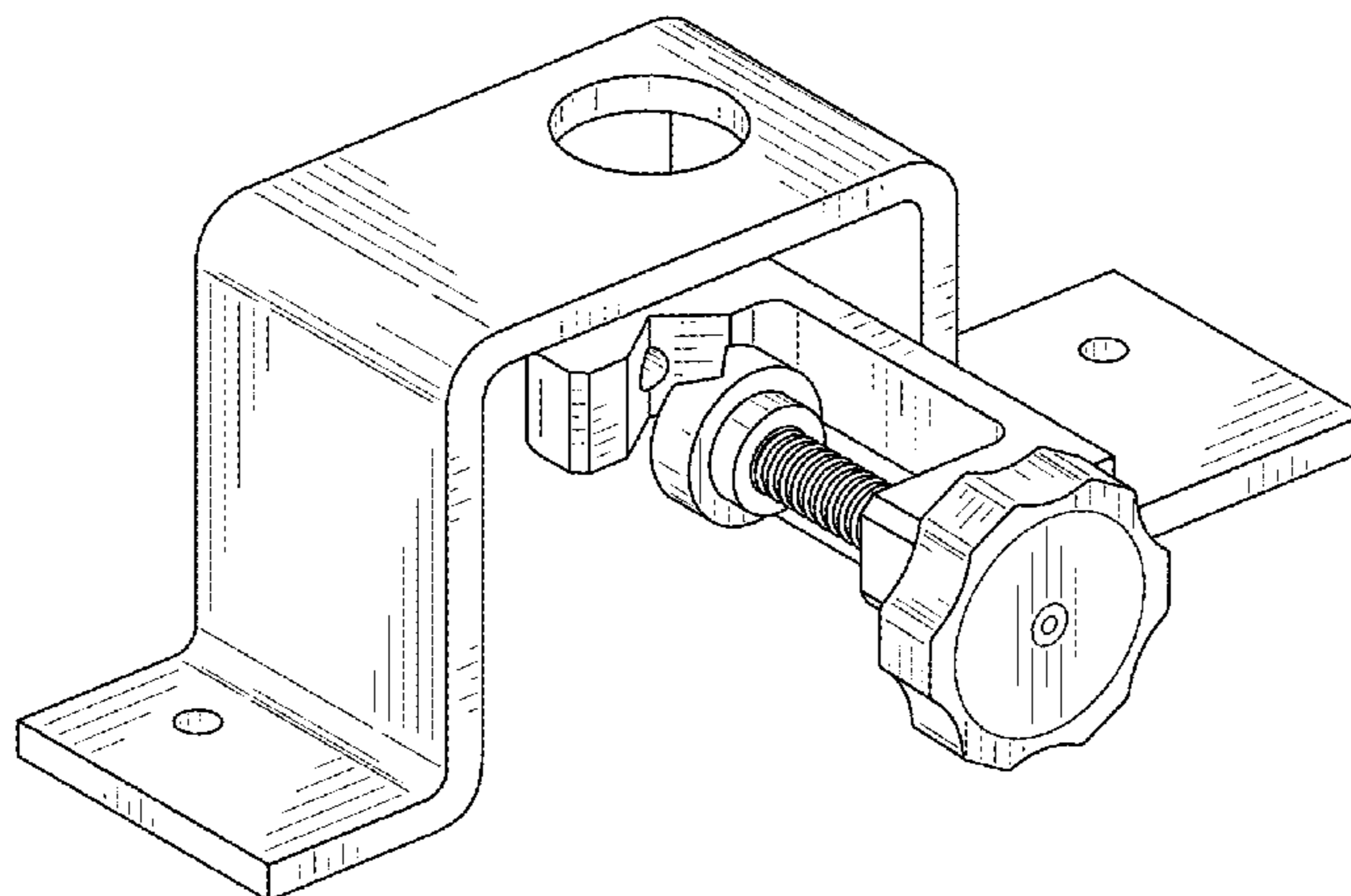
(57) **CLAIM**

I claim the ornamental design for a camera bracket, as shown and described.

DESCRIPTION

FIG. 1 is a top-front perspective view of the camera bracket of the new design.
FIG. 2 is a front view FIG. 1.
FIG. 3 is a back view thereof.
FIG. 4 is a side view of FIG. 1.
FIG. 5 is another side view thereof.
FIG. 6 is a top view of FIG. 1; and,
FIG. 7 is a bottom view thereof.
FIG. 8 is a bottom-back perspective view of the camera bracket of the new design.

1 Claim, 4 Drawing Sheets



(56)

References Cited

U.S. PATENT DOCUMENTS

D519,543 S * 4/2006 Walker et al. D17/9
 7,028,963 B1 4/2006 Silva et al.
 7,128,354 B2 10/2006 Wu
 D552,453 S * 10/2007 Cronk et al. D8/354
 7,429,025 B1 9/2008 Gretz
 7,496,454 B2 2/2009 Rogers et al.
 7,500,646 B2 3/2009 Chapman
 7,740,220 B2 6/2010 Jeanveau
 7,758,480 B1 7/2010 Chen et al.
 7,913,435 B1 3/2011 Hummel, III et al.
 7,926,496 B2 4/2011 Young et al.
 8,066,232 B2 11/2011 Wills et al.
 8,297,576 B2 10/2012 McLeod
 8,328,440 B2 * 12/2012 Piltz 396/428

FOREIGN PATENT DOCUMENTS

CN 101820844 B 4/2012
 GB 2 408 316 A 5/2005
 JP 2010-12867 A 1/2010

OTHER PUBLICATIONS

Table-Top Fastening Bracket D30, bright zinc-plated // Product No.
 0.0.647.11; [http://catalog.item24us.com/product_info.php?info=p64711_Table-Top-F](http://catalog.item24us.com/product_info.php?info=p64711_Table-Top-F...)
 Nepro Display; <http://www.svlighting.com/products/object-lighting/nepro-display.aspx>.
 Roller Conveyor AI, Fastening Bracket I D30, bright zinc-plated;
[http://www.item24.de/en/products/product-catalogue/productdetails/prod](http://www.item24.de/en/products/product-catalogue/productdetails/prod...)
 Weldfast Brackets; Emhart Teknologies; <http://www.emhart.eu/en/products-services/products-by-category/>.
 Para FB broncolor (brochure photo).

* cited by examiner

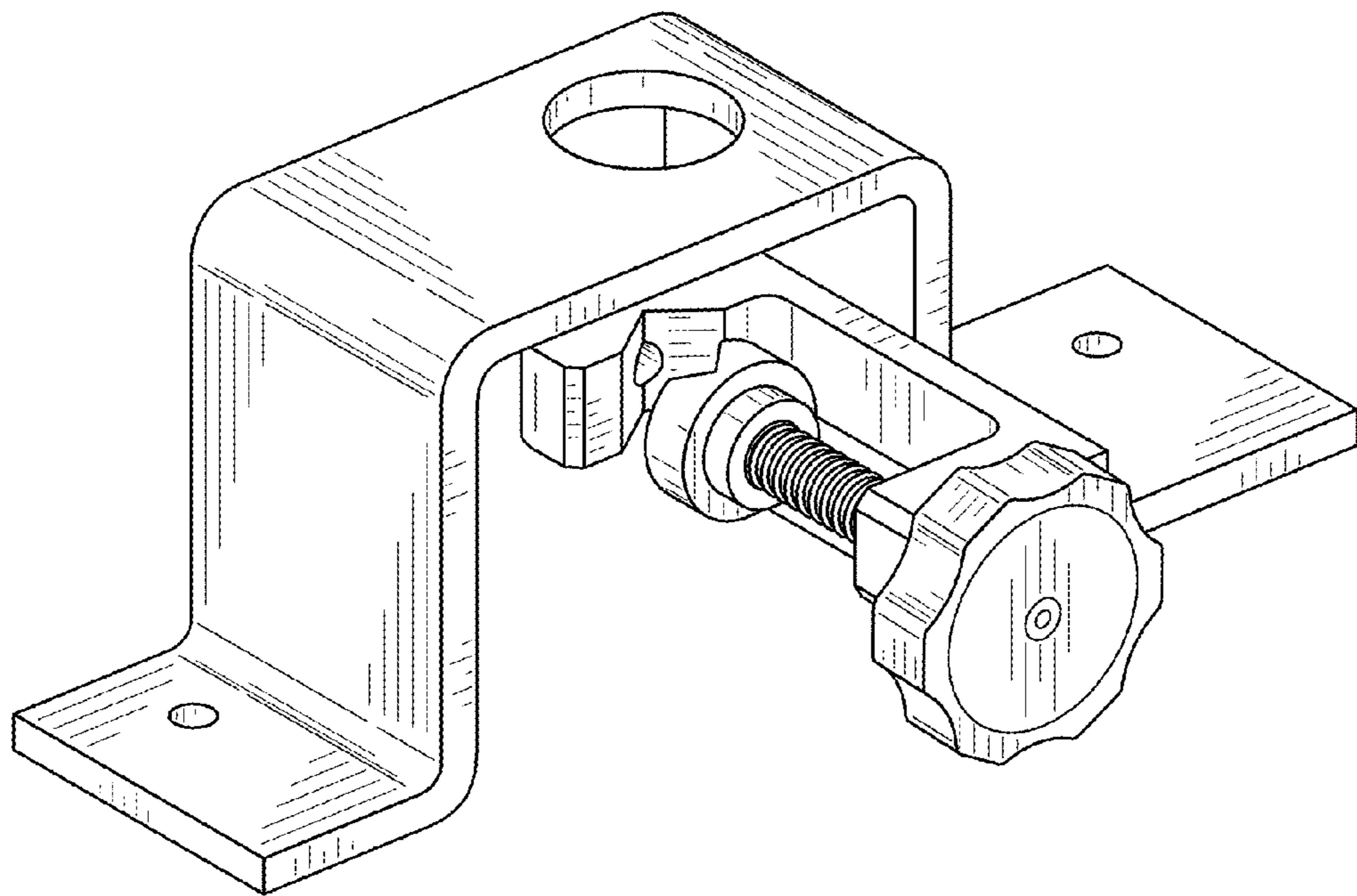


FIG. 1

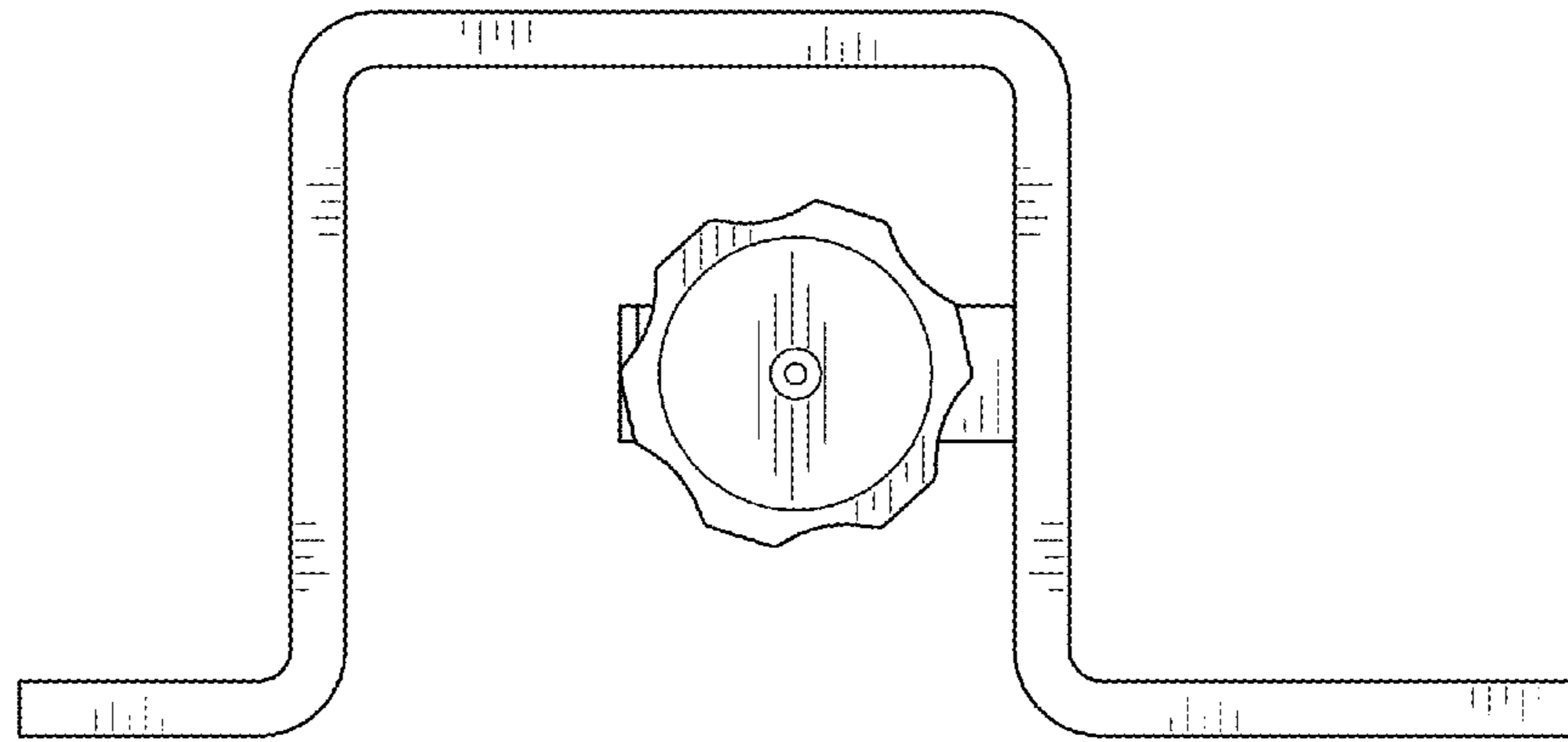


FIG. 2

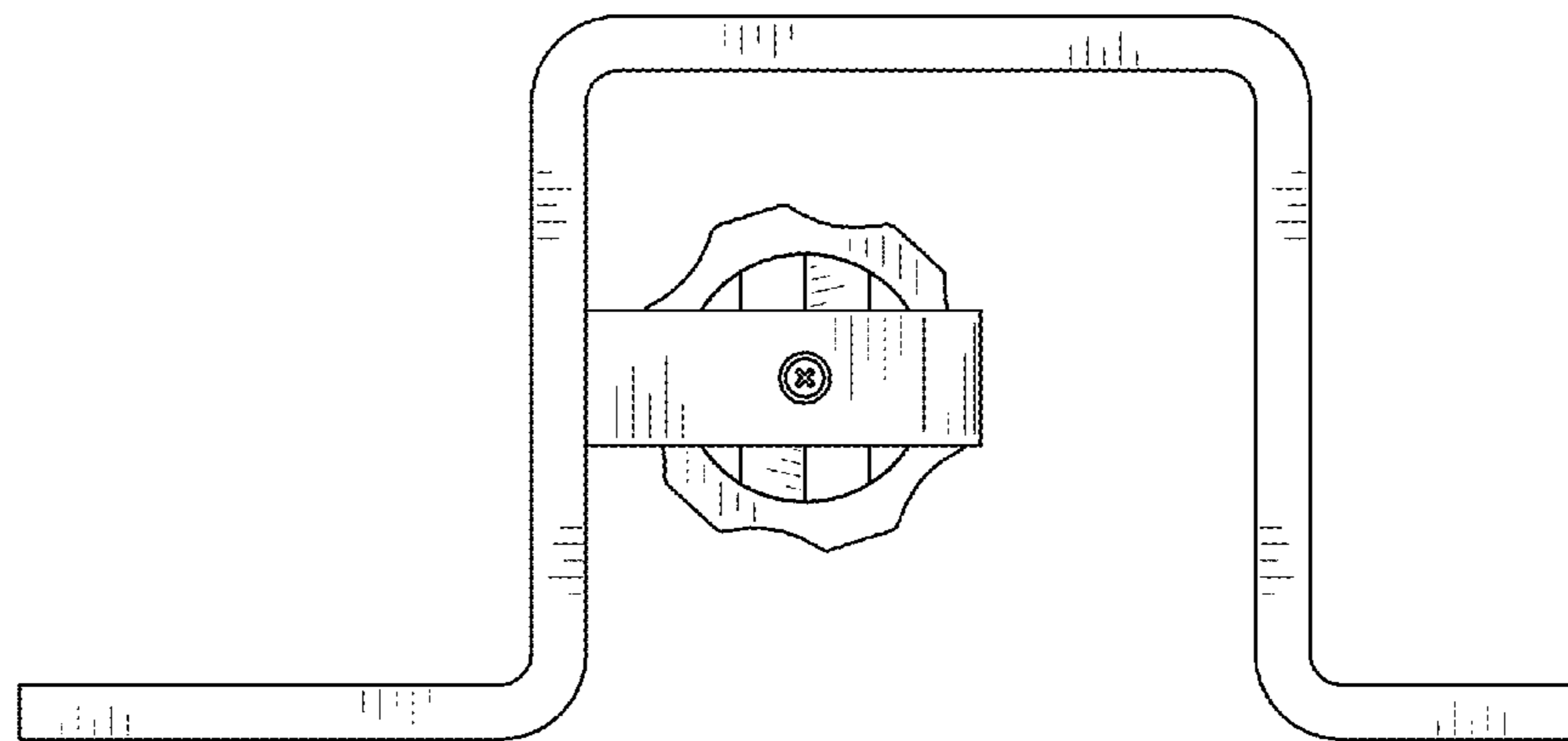


FIG. 3

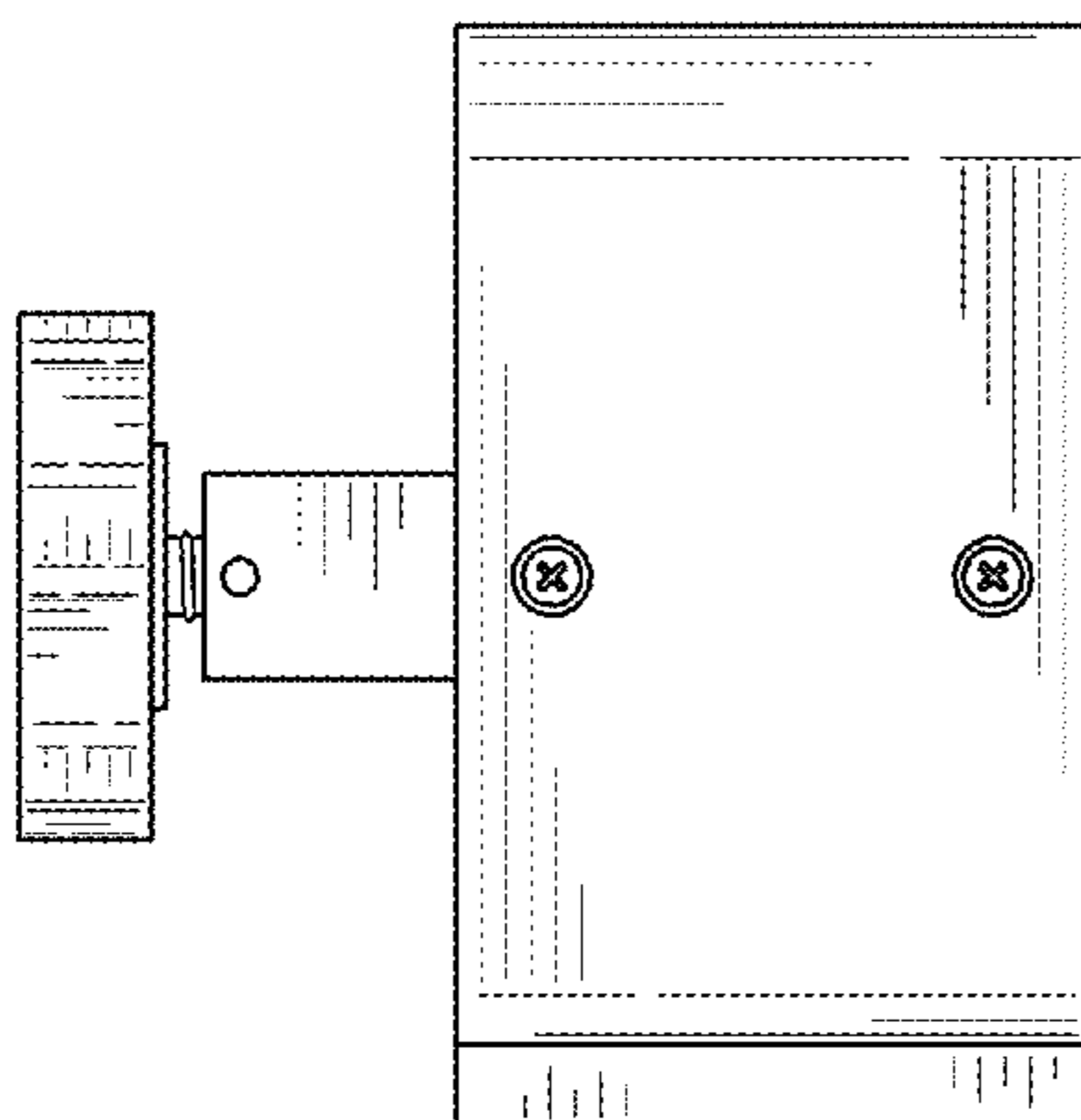


FIG. 4

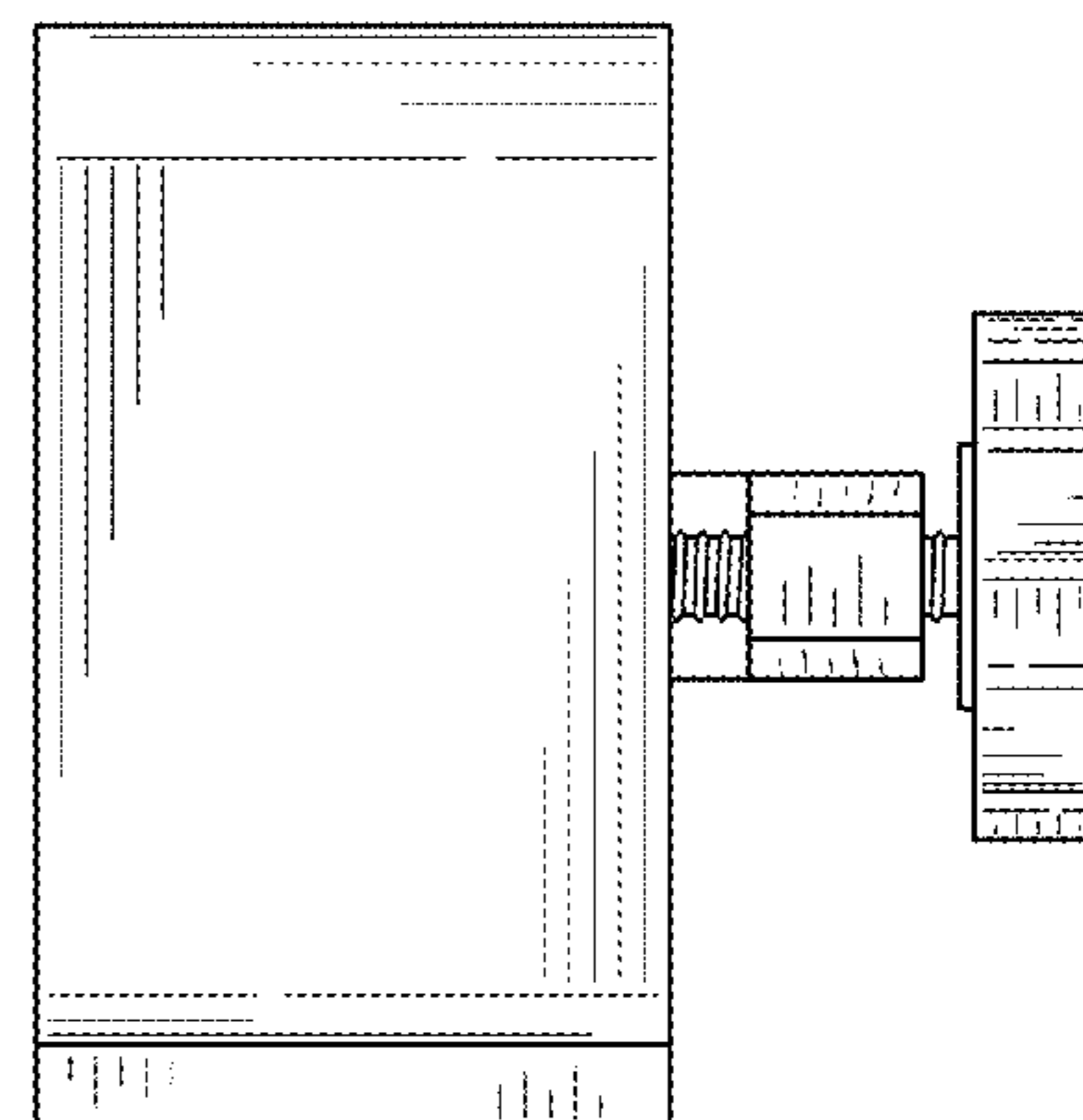


FIG. 5

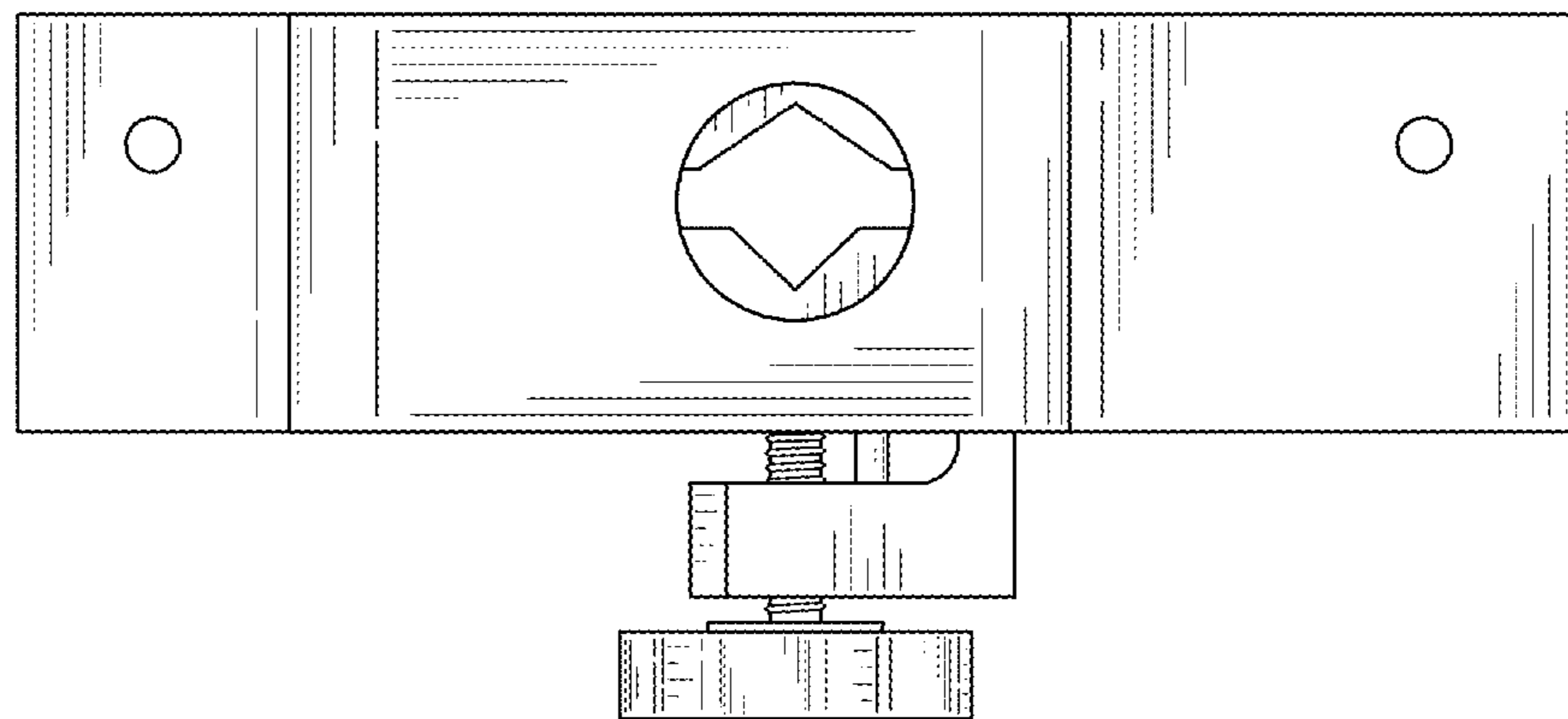


FIG. 6

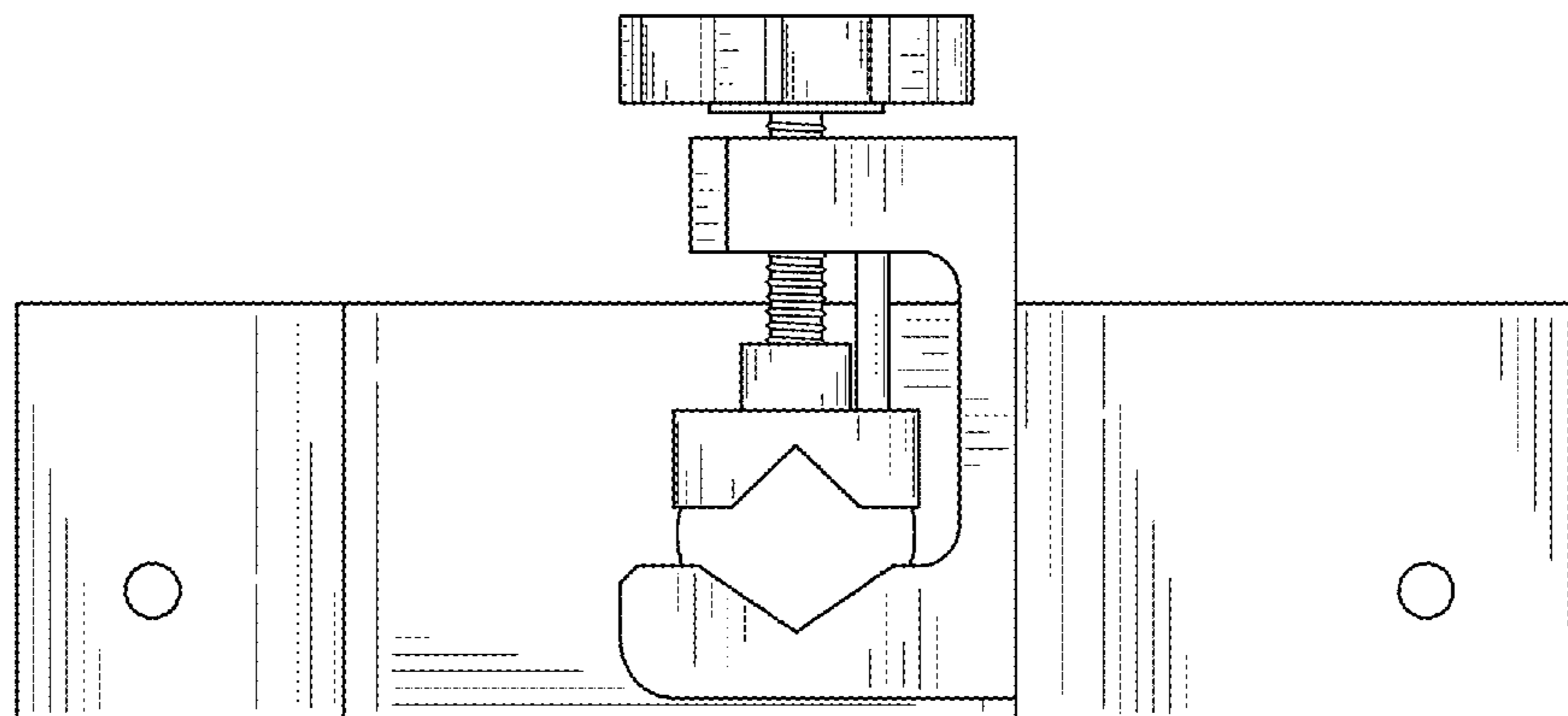


FIG. 7

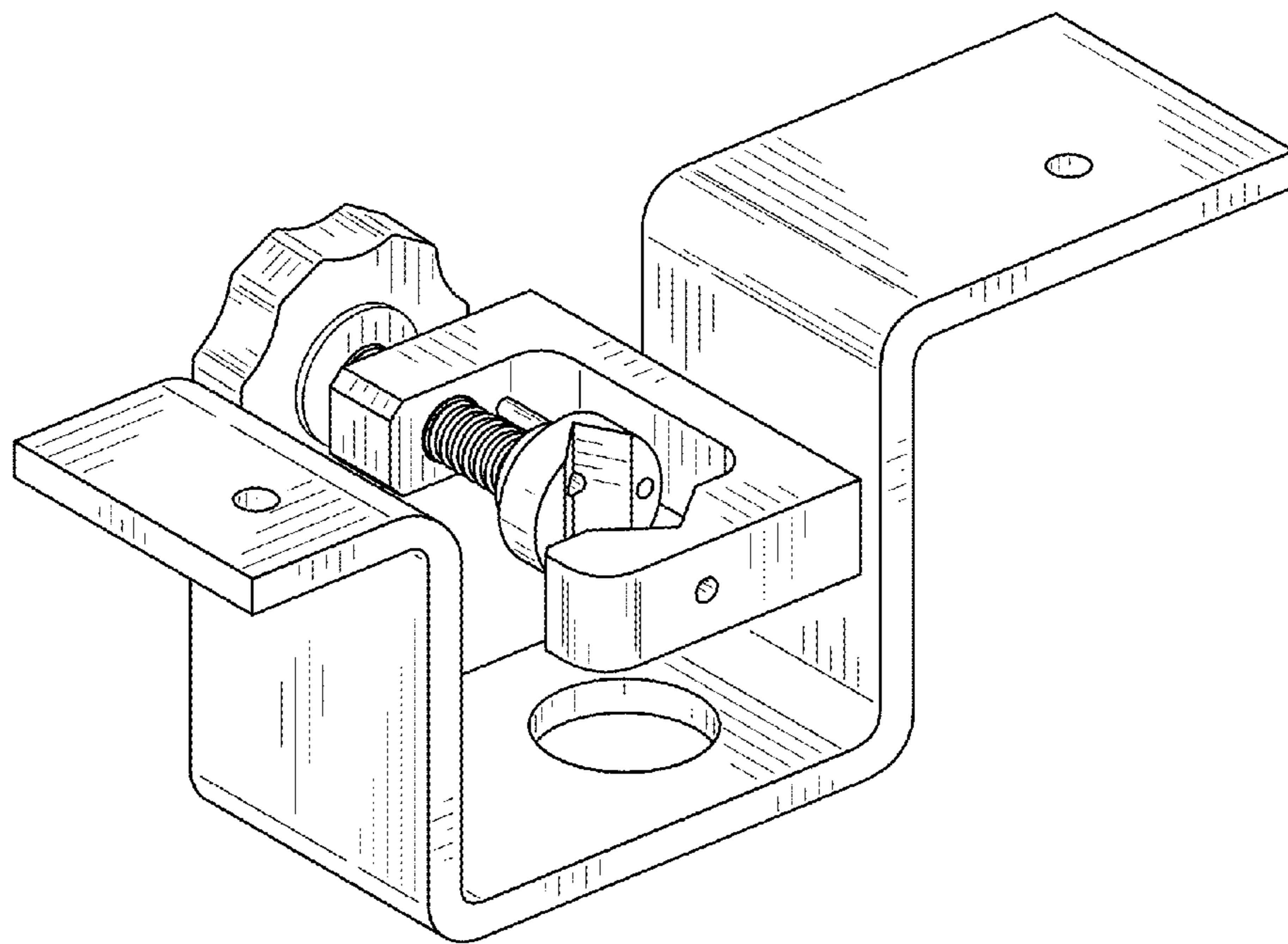


FIG. 8