



US00D701259S

(12) **United States Design Patent**
Inui et al.

(10) **Patent No.:** **US D701,259 S**
(45) **Date of Patent:** **** Mar. 18, 2014**

(54) **LAMP FOR PROJECTOR**

(75) Inventors: **Shinro Inui**, Hachioji (JP); **Hiroshi Ohshima**, Fujisawa (JP)

(73) Assignee: **Hitachi Consumer Electrics Co., Ltd.**, Tokyo (JP)

(**) Term: **14 Years**

(21) Appl. No.: **29/414,914**

(22) Filed: **Mar. 6, 2012**

(30) **Foreign Application Priority Data**

Oct. 3, 2011 (JP) 2011-022664

(51) **LOC (10) Cl.** **16-02**

(52) **U.S. Cl.**
USPC **D16/235**

(58) **Field of Classification Search**
USPC D16/221, 225, 235; D26/1, 24;
352/198, 203; 353/52, 87, 61, 119;
362/241, 261, 263-264, 294, 345, 362,
362/373

See application file for complete search history.

(56) **References Cited**

U.S. PATENT DOCUMENTS

D630,237 S * 1/2011 Inui et al. D16/235
D630,667 S * 1/2011 Inui et al. D16/235
D650,823 S * 12/2011 Inui et al. D16/235
D650,824 S * 12/2011 Inui et al. D16/235

D653,689 S * 2/2012 Inui et al. D16/235

* cited by examiner

Primary Examiner — Wan Laymon

(74) *Attorney, Agent, or Firm* — Antonelli, Terry, Stout & Kraus, LLP.

(57) **CLAIM**

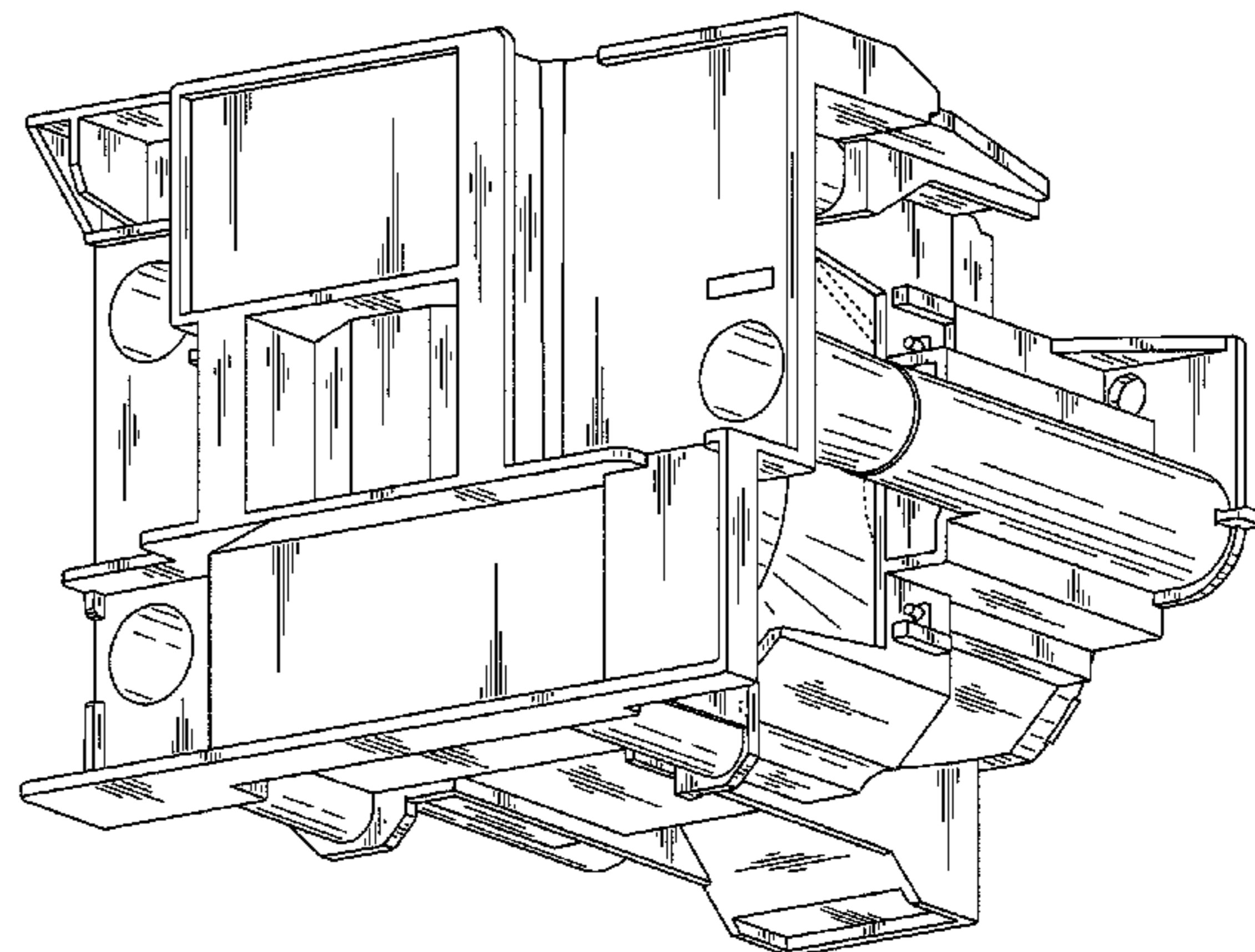
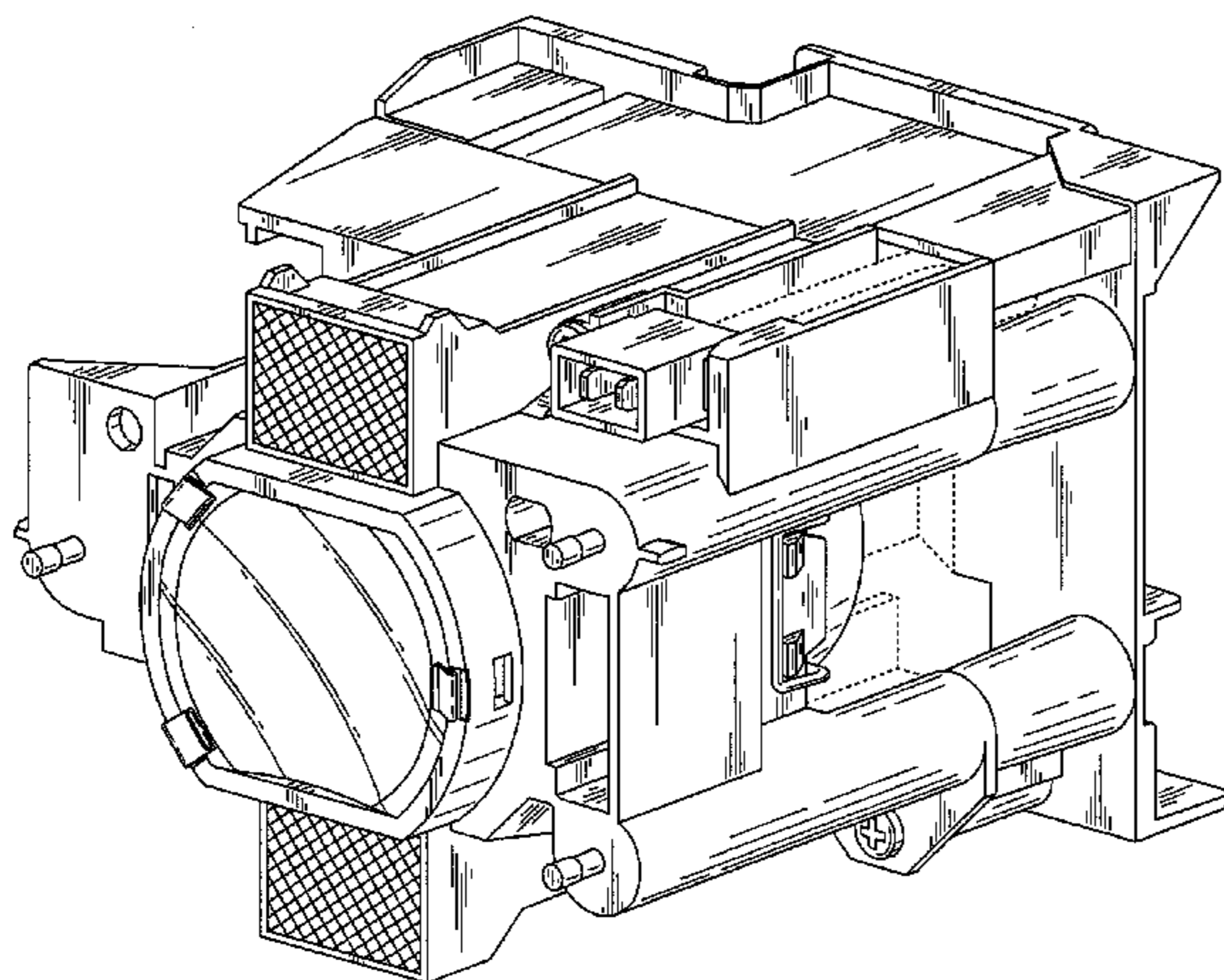
We claim the ornamental design for a lamp for projector, as shown and described.

DESCRIPTION

FIG. 1 is a front, top and right side perspective view of a lamp for projector showing our new design;
FIG. 2 is a rear, bottom and left side perspective view thereof;
FIG. 3 is a front elevational view thereof;
FIG. 4 is a rear elevational view thereof;
FIG. 5 is a left side elevational view thereof;
FIG. 6 is a right side elevational view thereof;
FIG. 7 is a top plan view thereof;
FIG. 8 is a bottom plan view thereof;
FIG. 9 is a cross sectional view taken along the lines 9-9 of FIG. 3; and,
FIG. 10 is a cross sectional view taken along the lines 10-10 of FIG. 3.

The broken lines shown in drawings are for illustrative purpose and form no part of the claimed design. The hatchings and lines showing internal structure shown in FIG. 9 and FIG. 10 are for illustrative purpose and form no part of the claimed design.

1 Claim, 10 Drawing Sheets



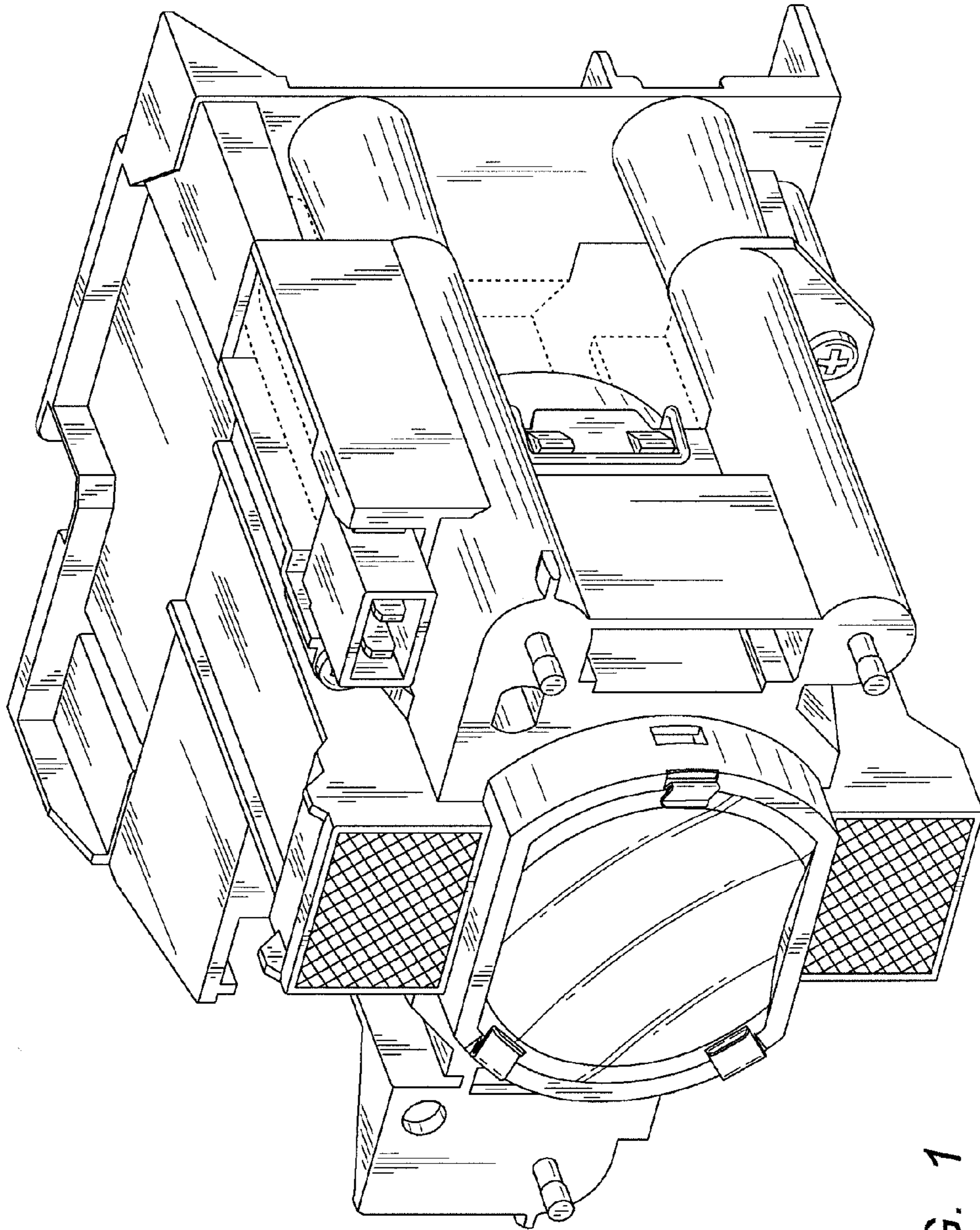


FIG. 1

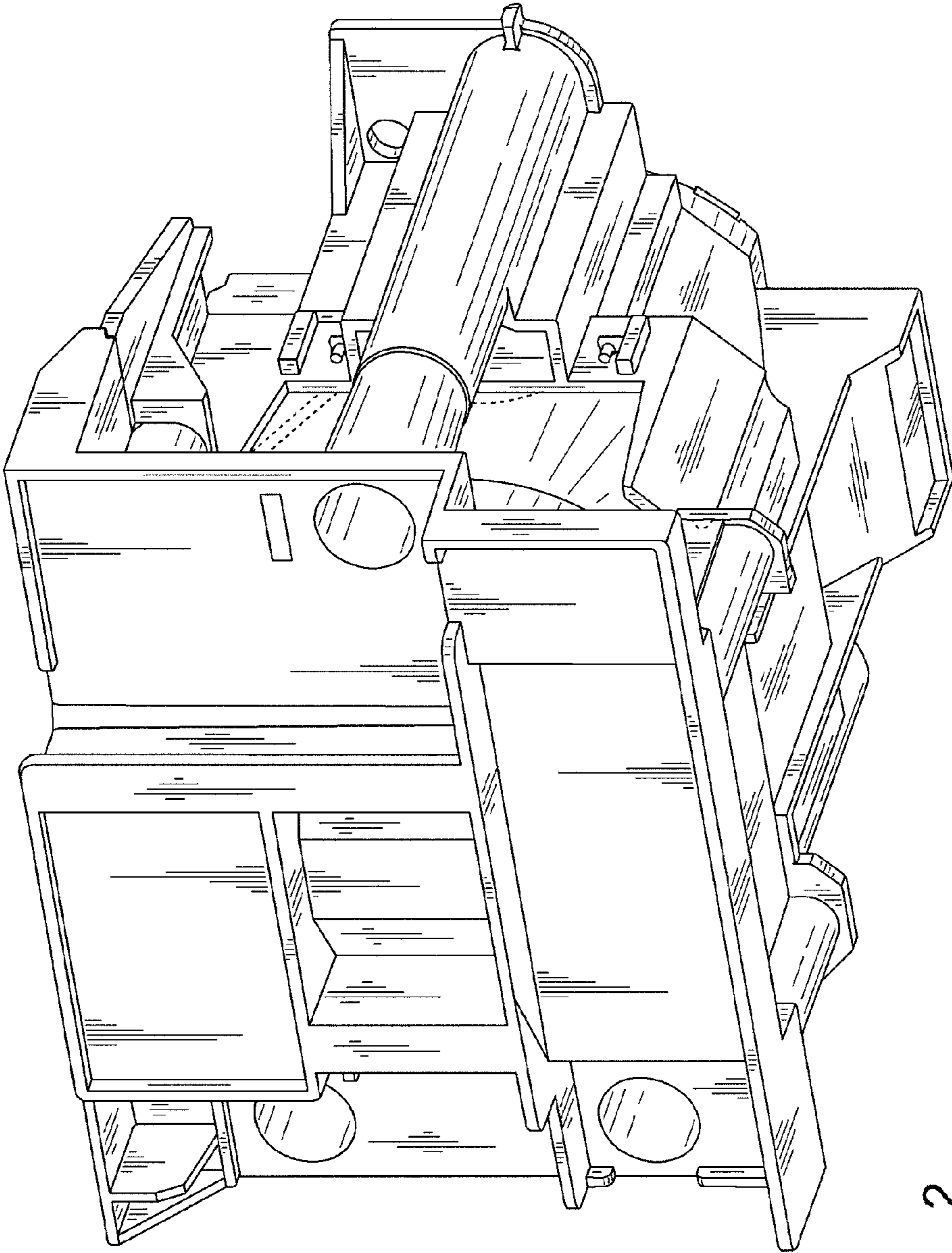


FIG. 2

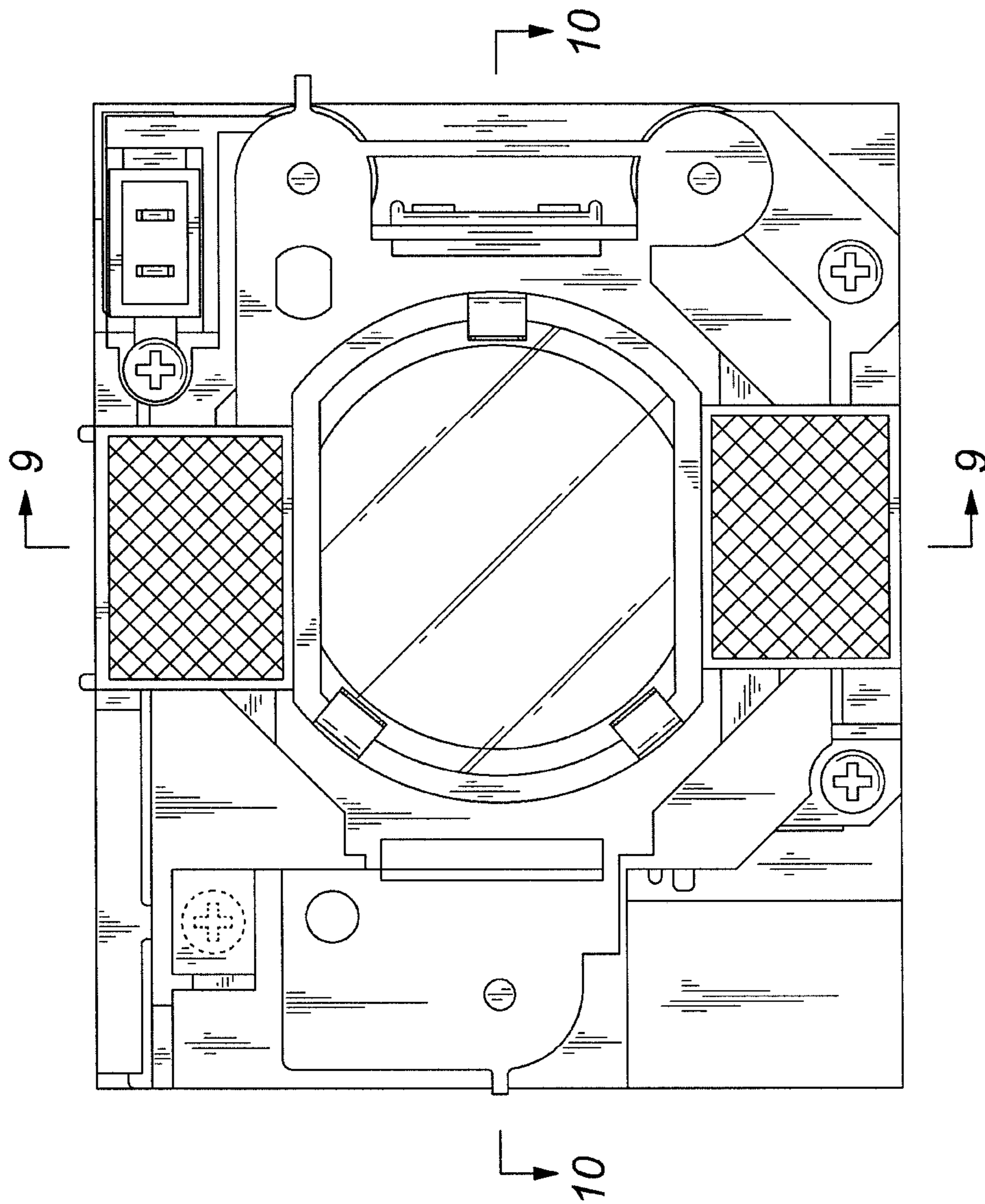


FIG. 3

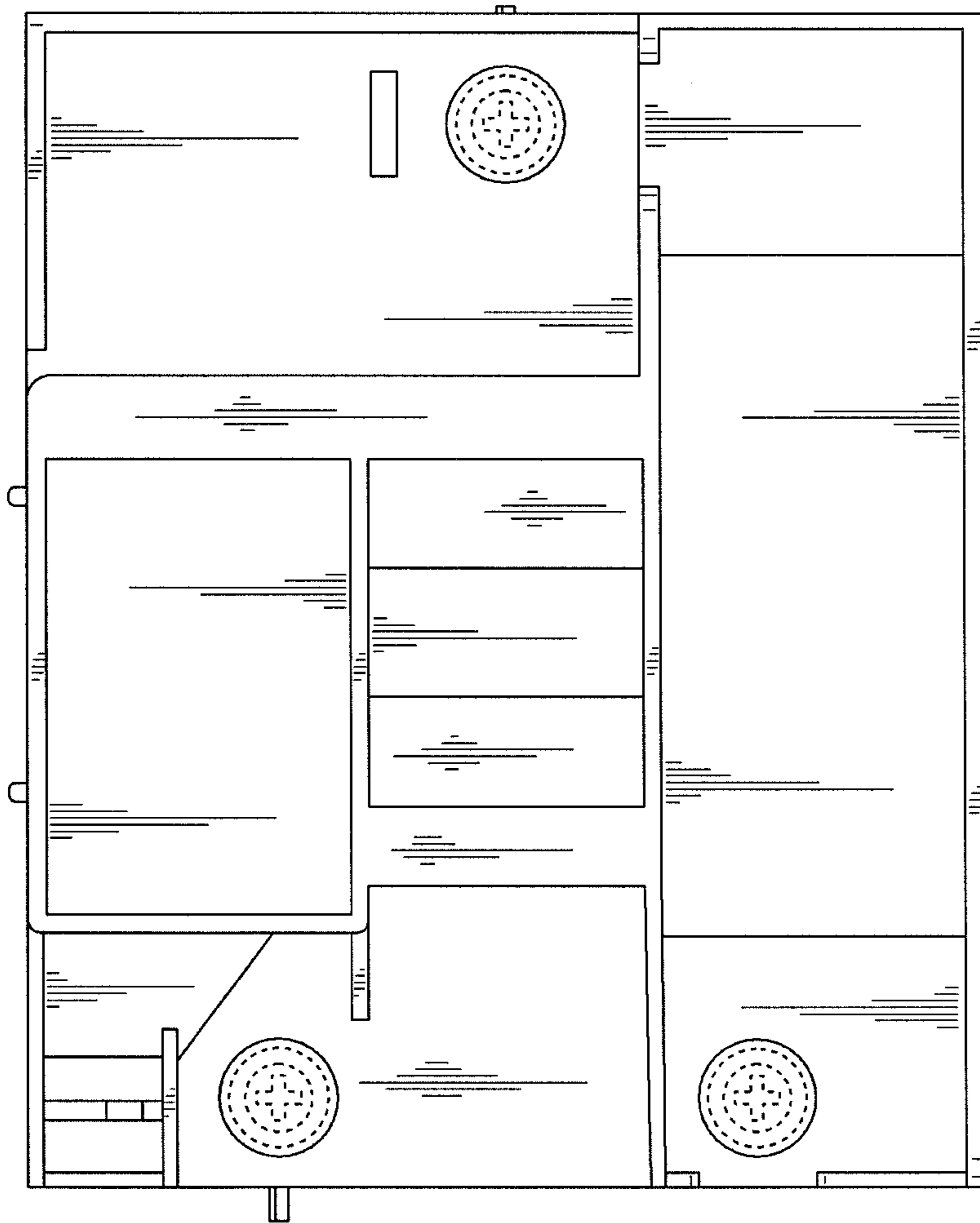


FIG. 4

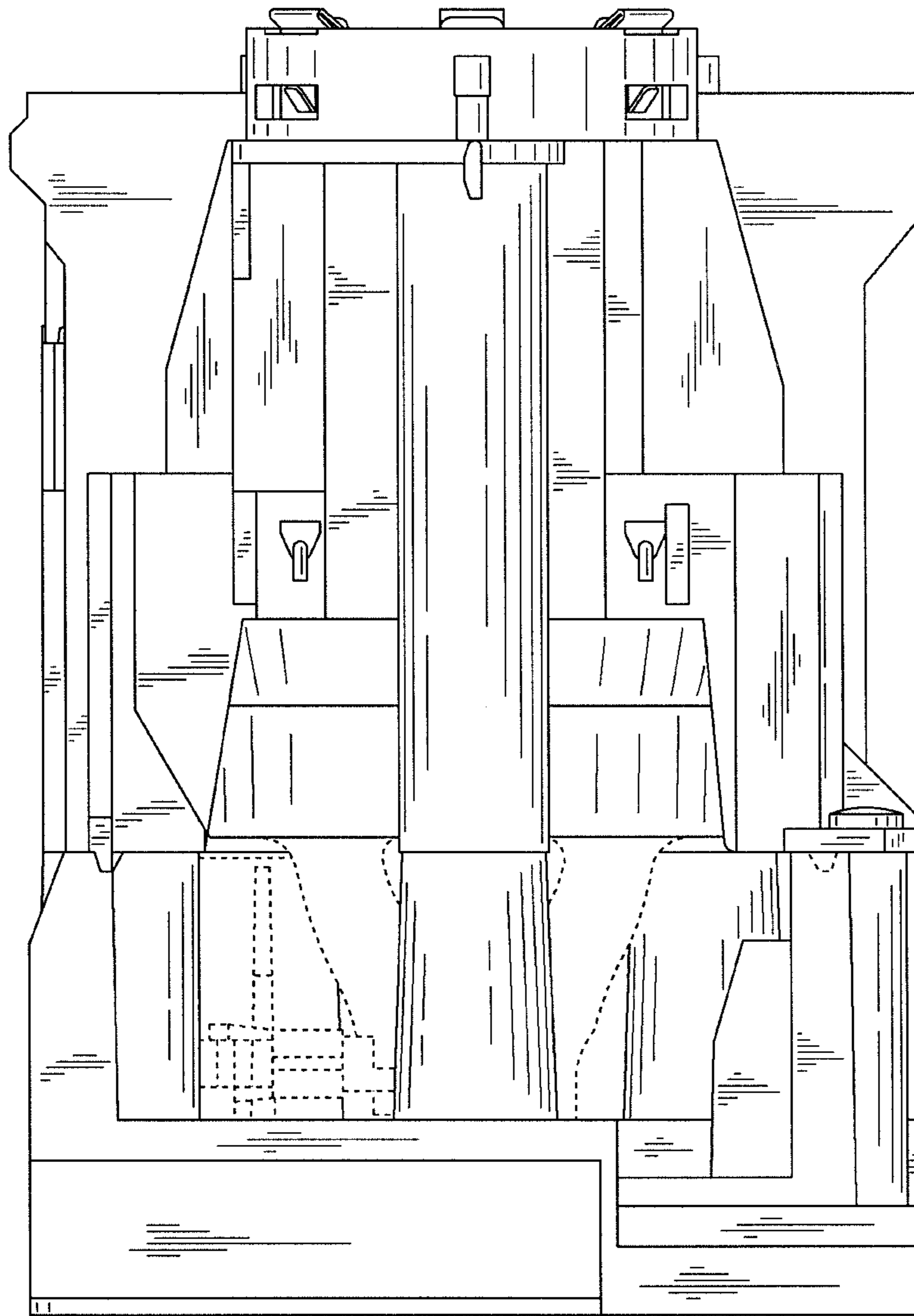


FIG. 5

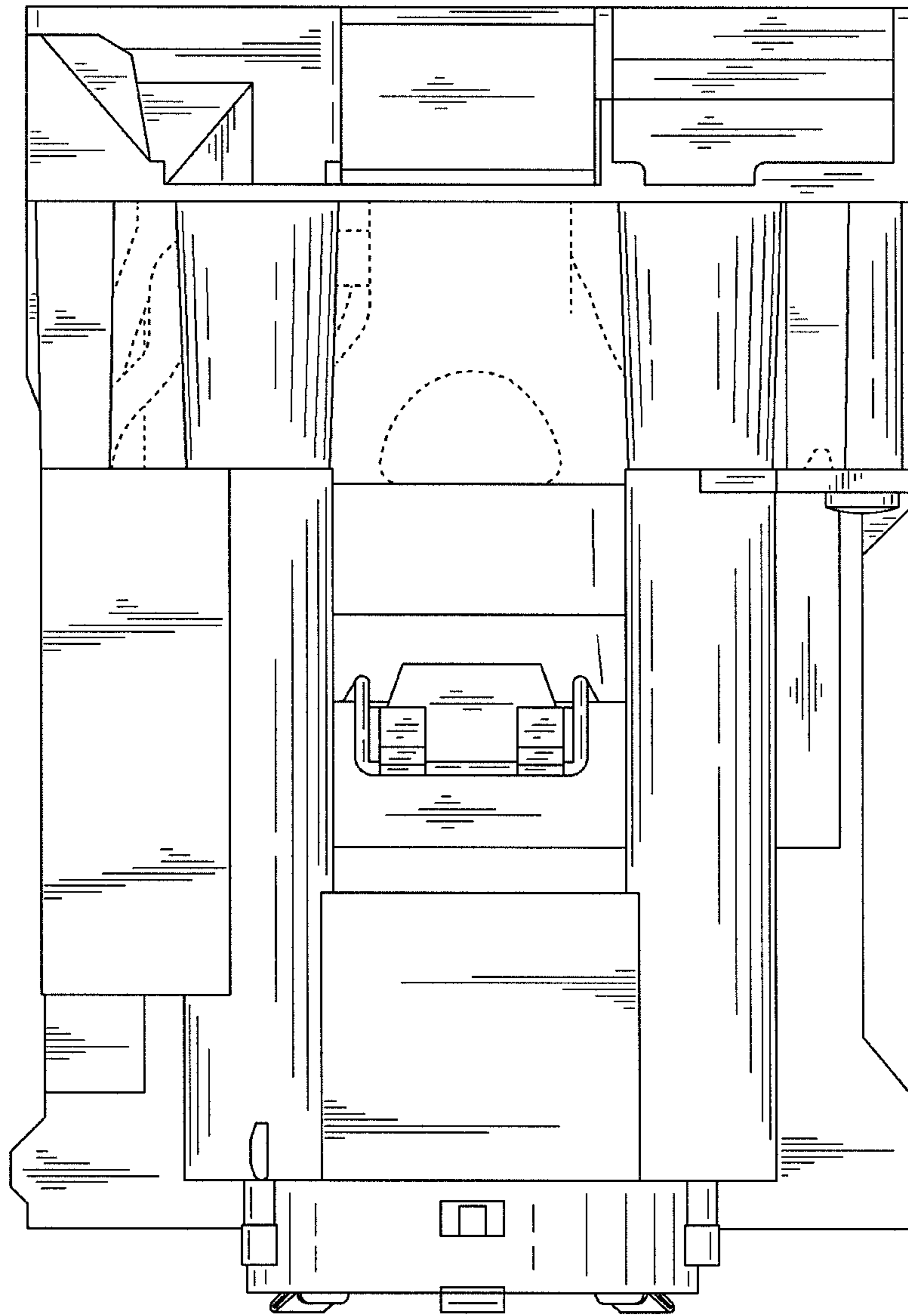


FIG. 6

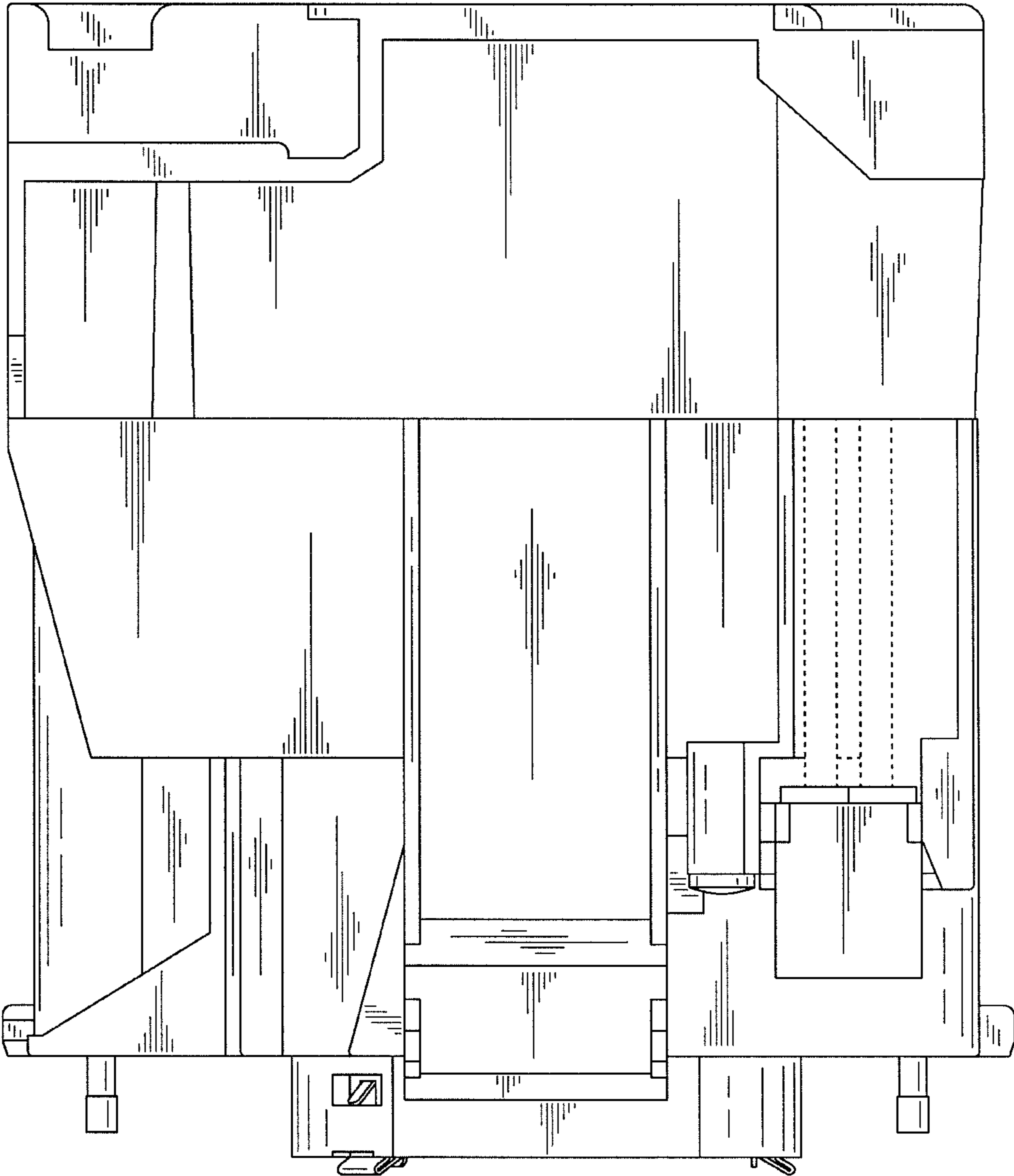


FIG. 7

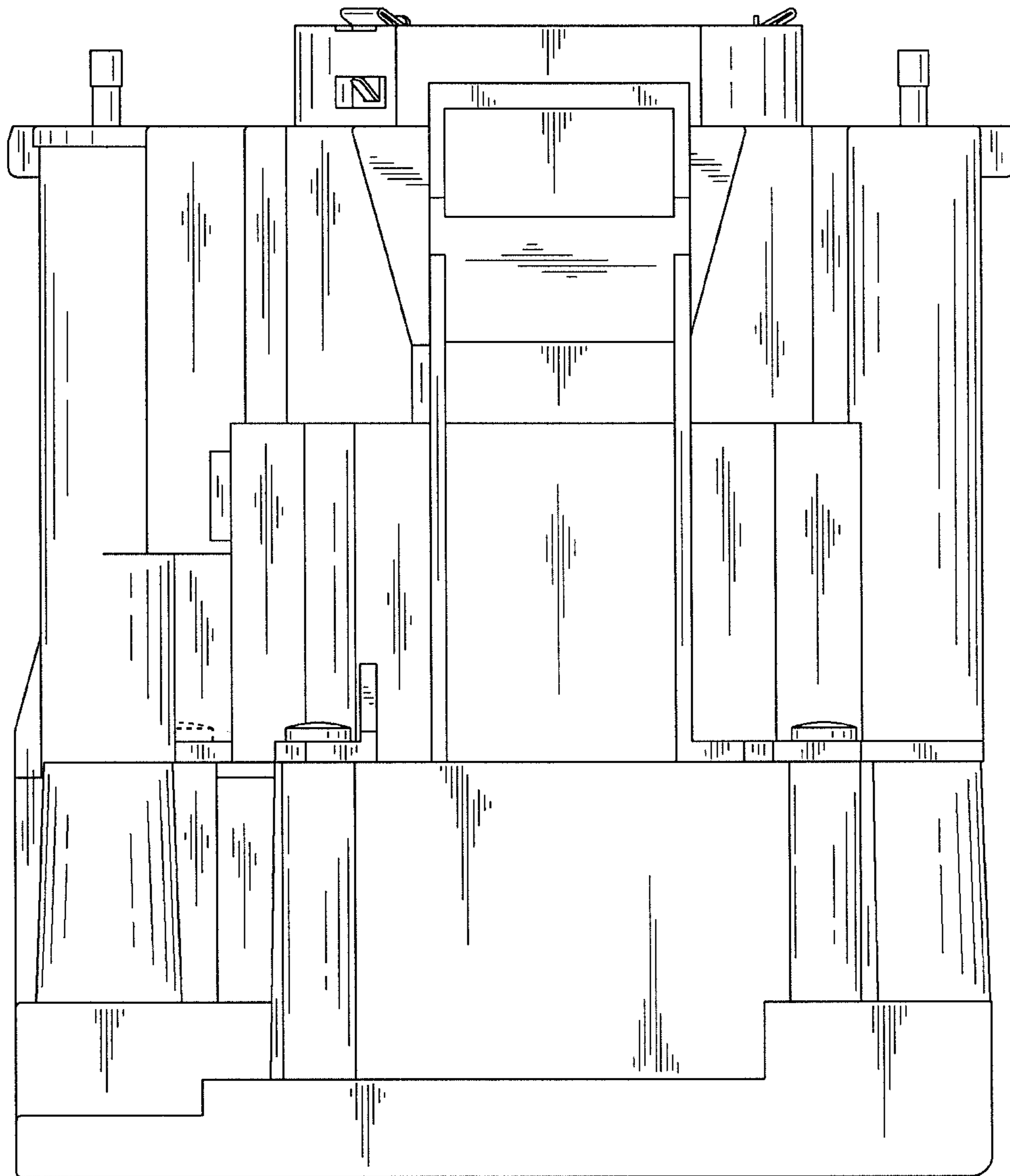


FIG. 8

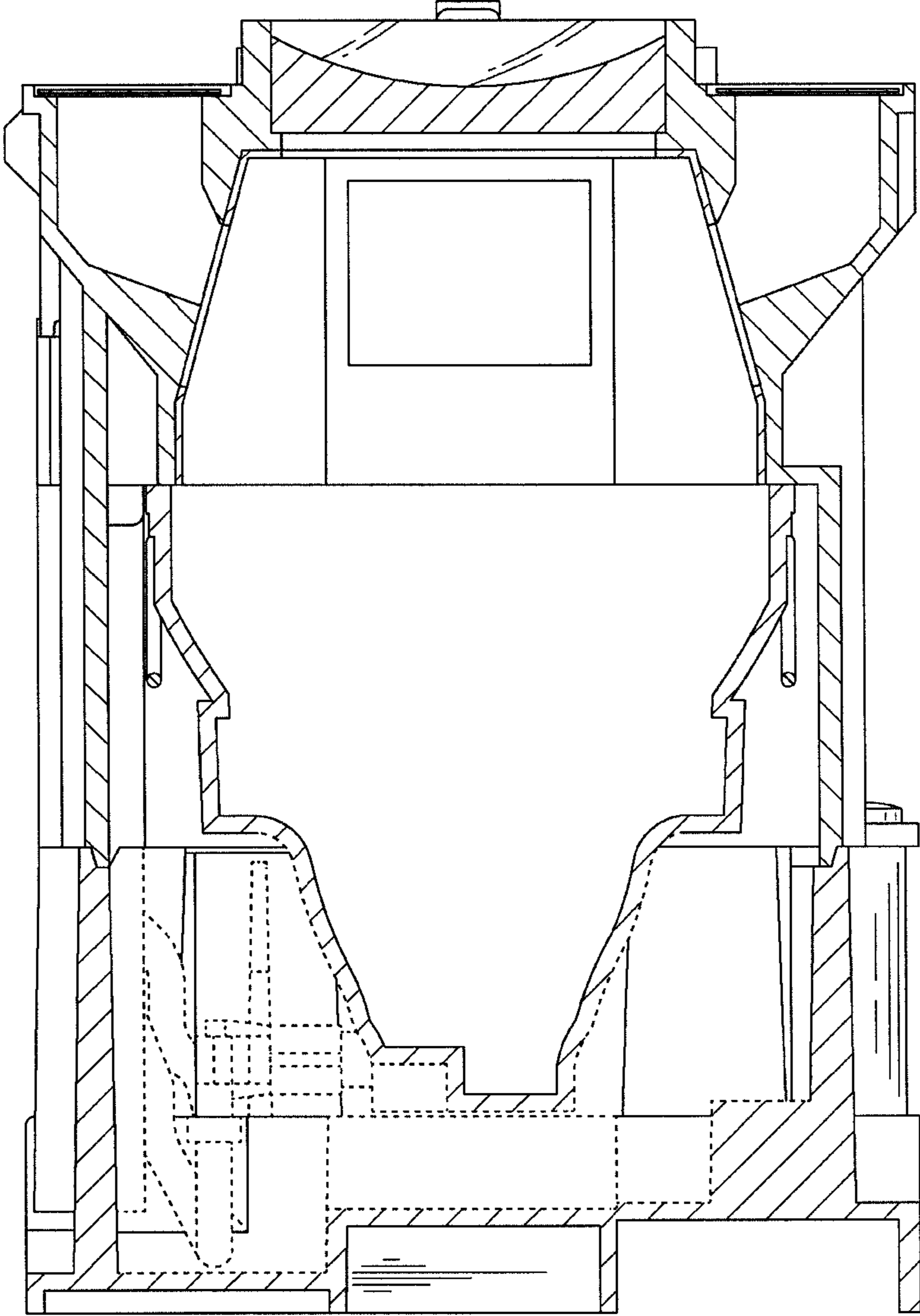


FIG. 9

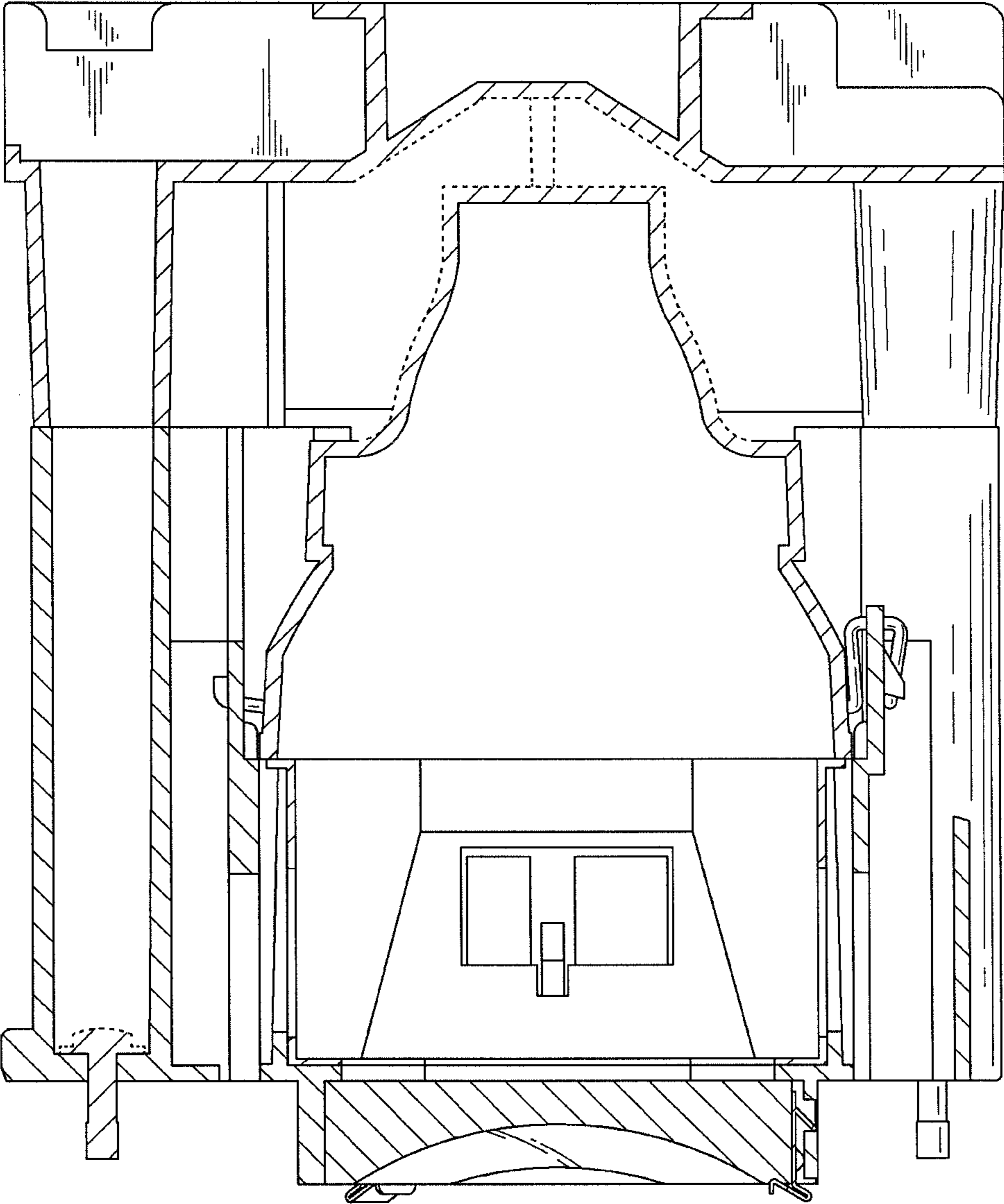


FIG. 10