

US00D701258S

(12) **United States Design Patent**
Huang

(10) **Patent No.:** **US D701,258 S**
(45) **Date of Patent:** **** Mar. 18, 2014**

(54) **WALL MOUNTED DOME CAMERA**

(71) Applicant: **Xueyu Huang**, Jiangmen (CN)

(72) Inventor: **Xueyu Huang**, Jiangmen (CN)

(**) Term: **14 Years**

(21) Appl. No.: **29/443,250**

(22) Filed: **Jan. 15, 2013**

(30) **Foreign Application Priority Data**

Jul. 19, 2012 (CN) 2012 3 0326701

(51) **LOC (10) CL.** **16-01**

(52) **U.S. CL.**
USPC **D16/203**

(58) **Field of Classification Search**
USPC D16/200, 202, 203, 208, 218; 348/143,
348/151, 373-376; 396/427, 535-541
See application file for complete search history.

(56) **References Cited**

U.S. PATENT DOCUMENTS

3,916,097 A * 10/1975 Imai D16/203
D349,713 S * 8/1994 Hasegawa D16/203

D424,087 S * 5/2000 Frick et al. D16/203
D461,488 S * 8/2002 Benavides et al. D16/335
6,735,382 B2 * 5/2004 Schneider 348/143
D542,320 S * 5/2007 Cheng D16/203
D564,005 S * 3/2008 Cheng D16/203
D662,120 S * 6/2012 Deurwaarder D16/203
2006/0024046 A1 * 2/2006 Jones et al. 396/427

* cited by examiner

Primary Examiner — Adir Aronovich

(74) *Attorney, Agent, or Firm* — R. Neil Sudol; Henry D. Coleman

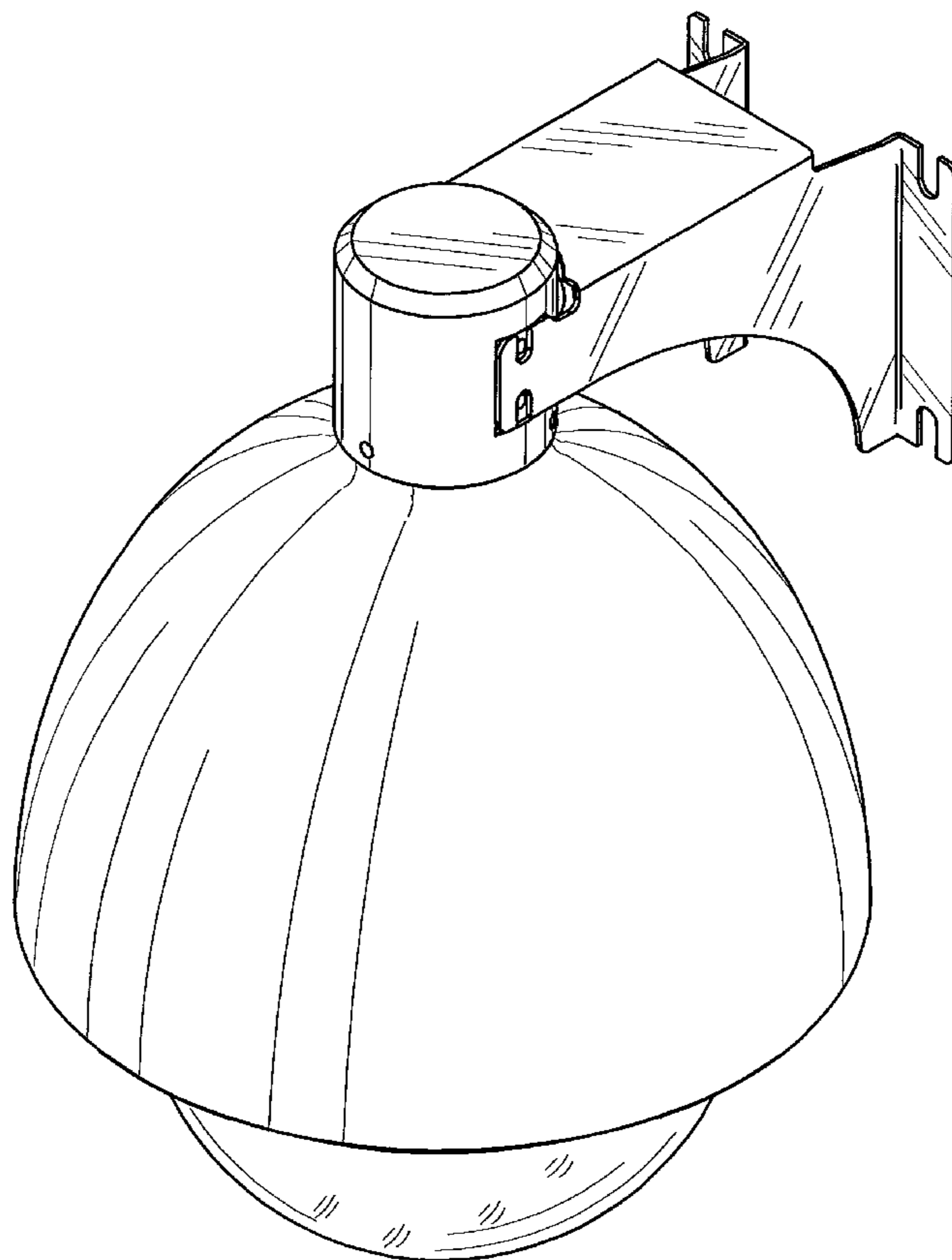
(57) **CLAIM**

The ornamental design for the wall mounted dome camera, as shown and described.

DESCRIPTION

FIG. 1 is a top, rear and right side perspective view of a wall mounted dome camera showing my new design;
FIG. 2 is a front elevational view thereof;
FIG. 3 is a rear elevational view thereof;
FIG. 4 is a left side side elevational thereof;
FIG. 5 is a right side elevational thereof;
FIG. 6 is a top plan view thereof; and,
FIG. 7 is a bottom plan view thereof.

1 Claim, 7 Drawing Sheets



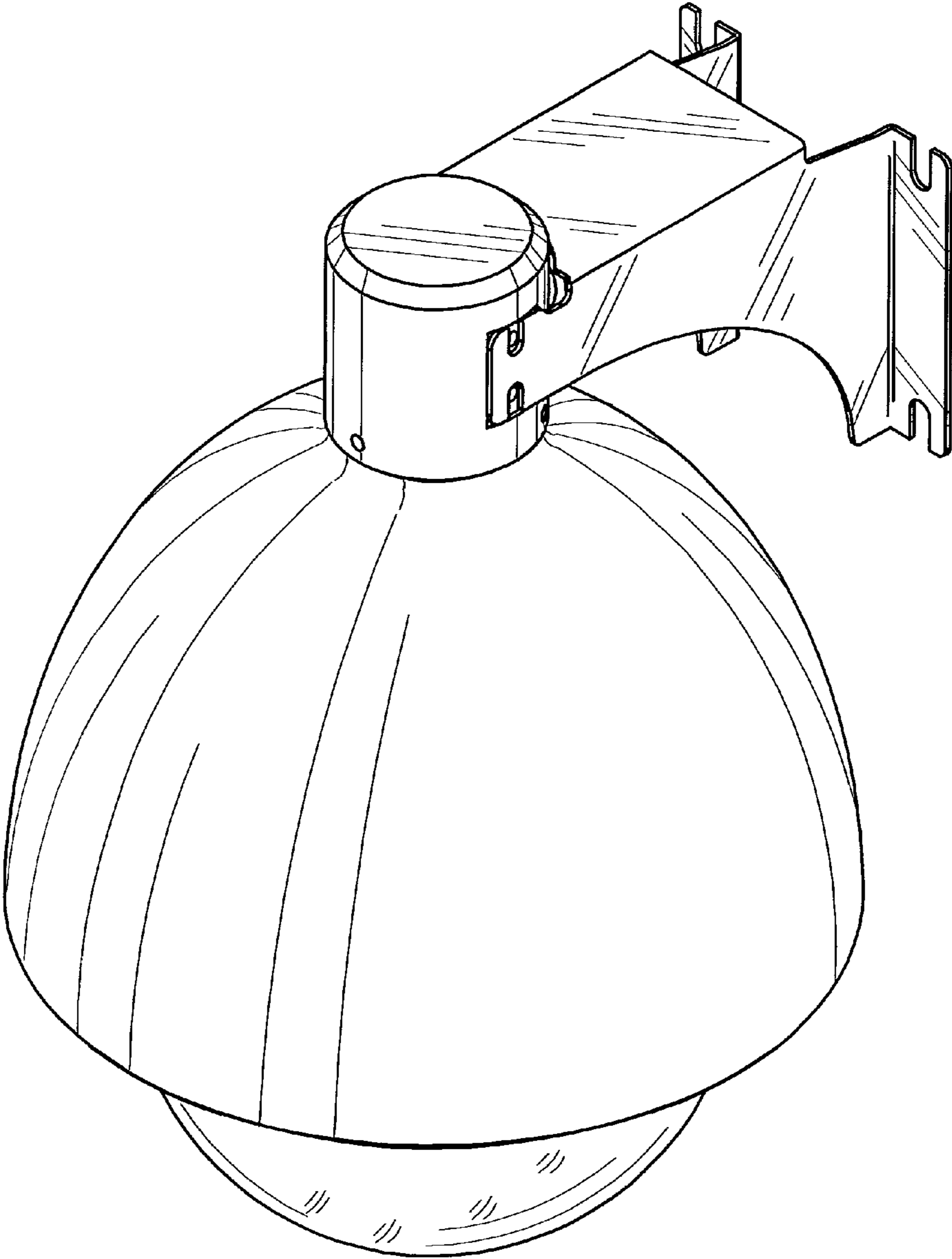


FIG.1

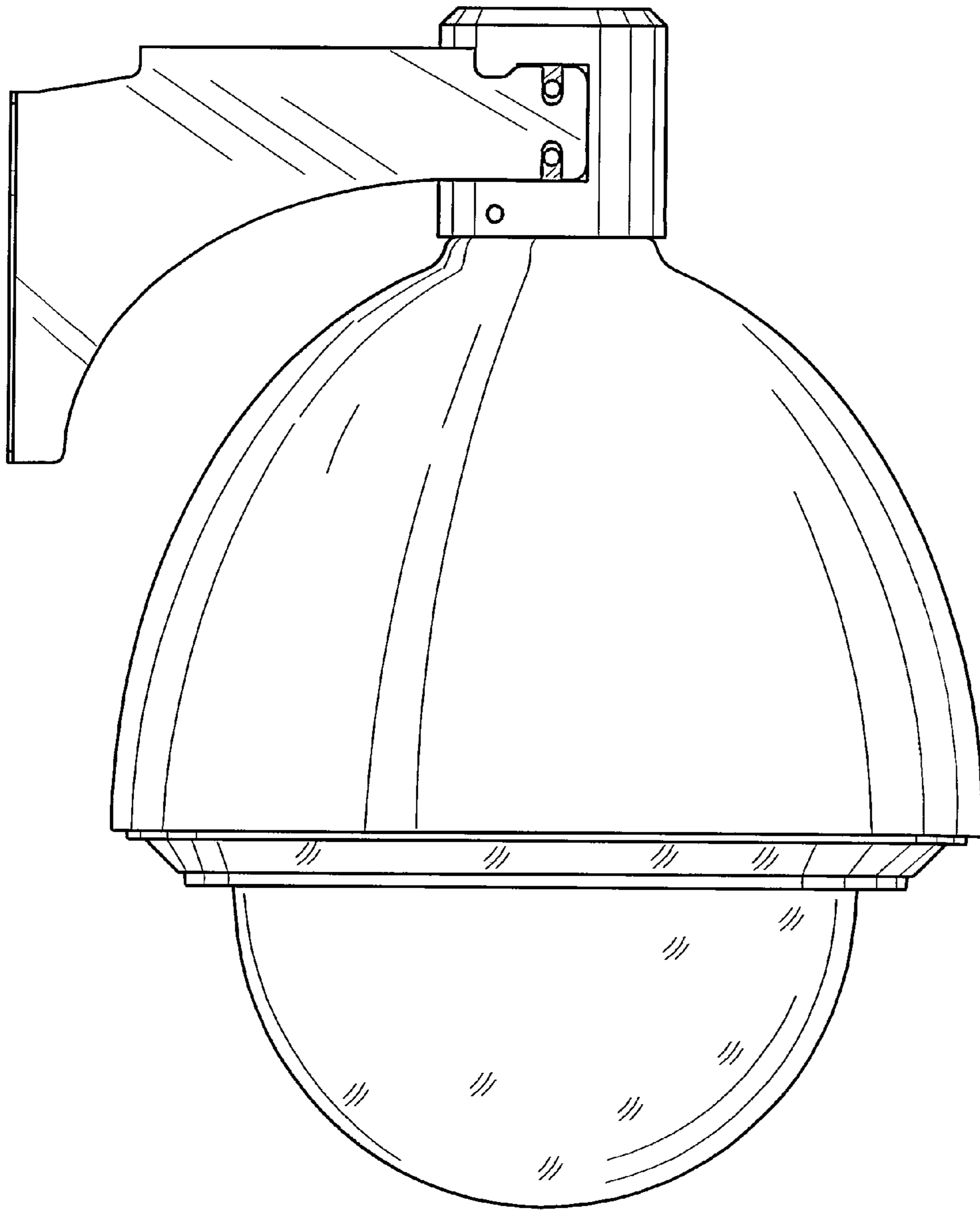


FIG.2

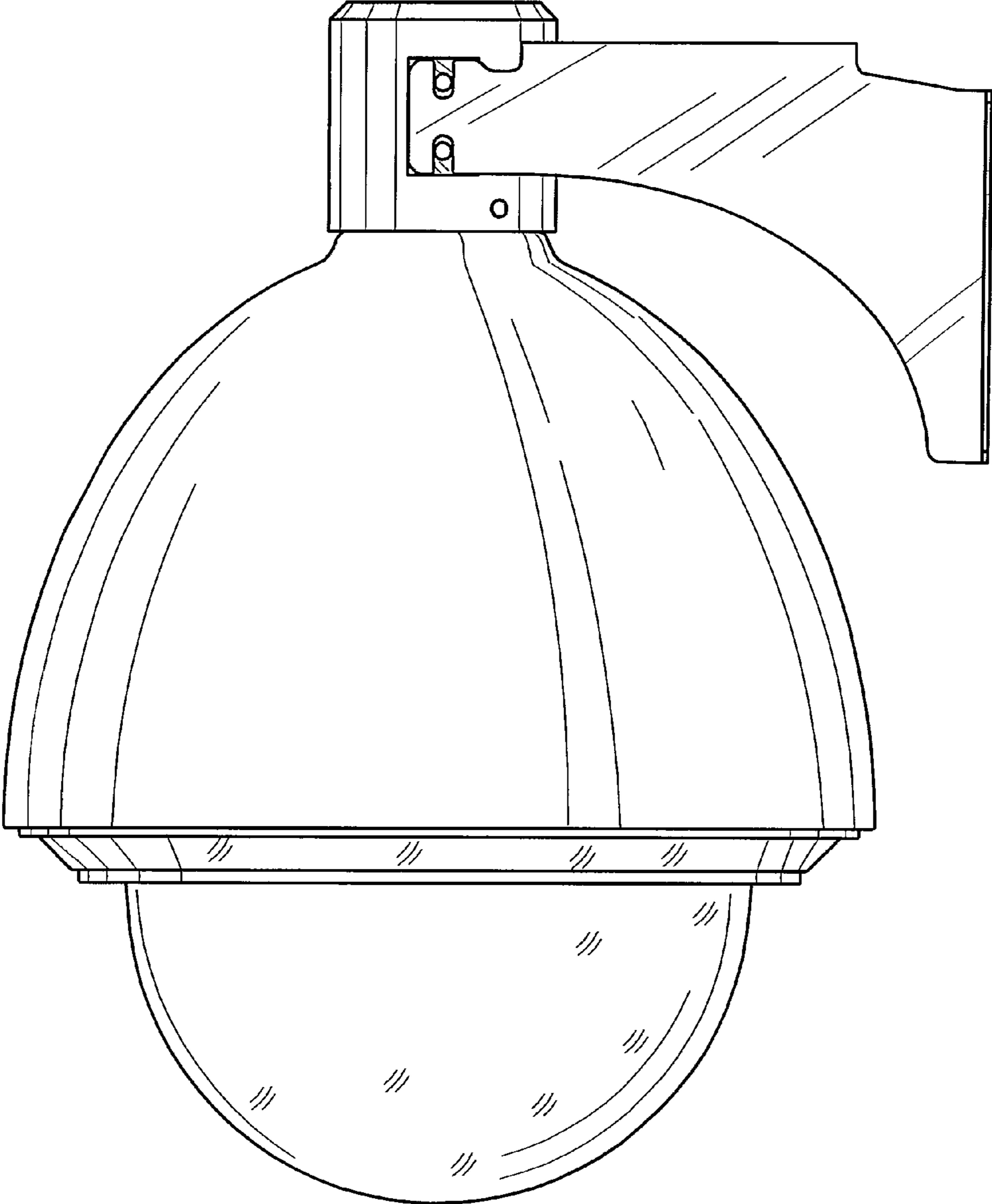


FIG.3

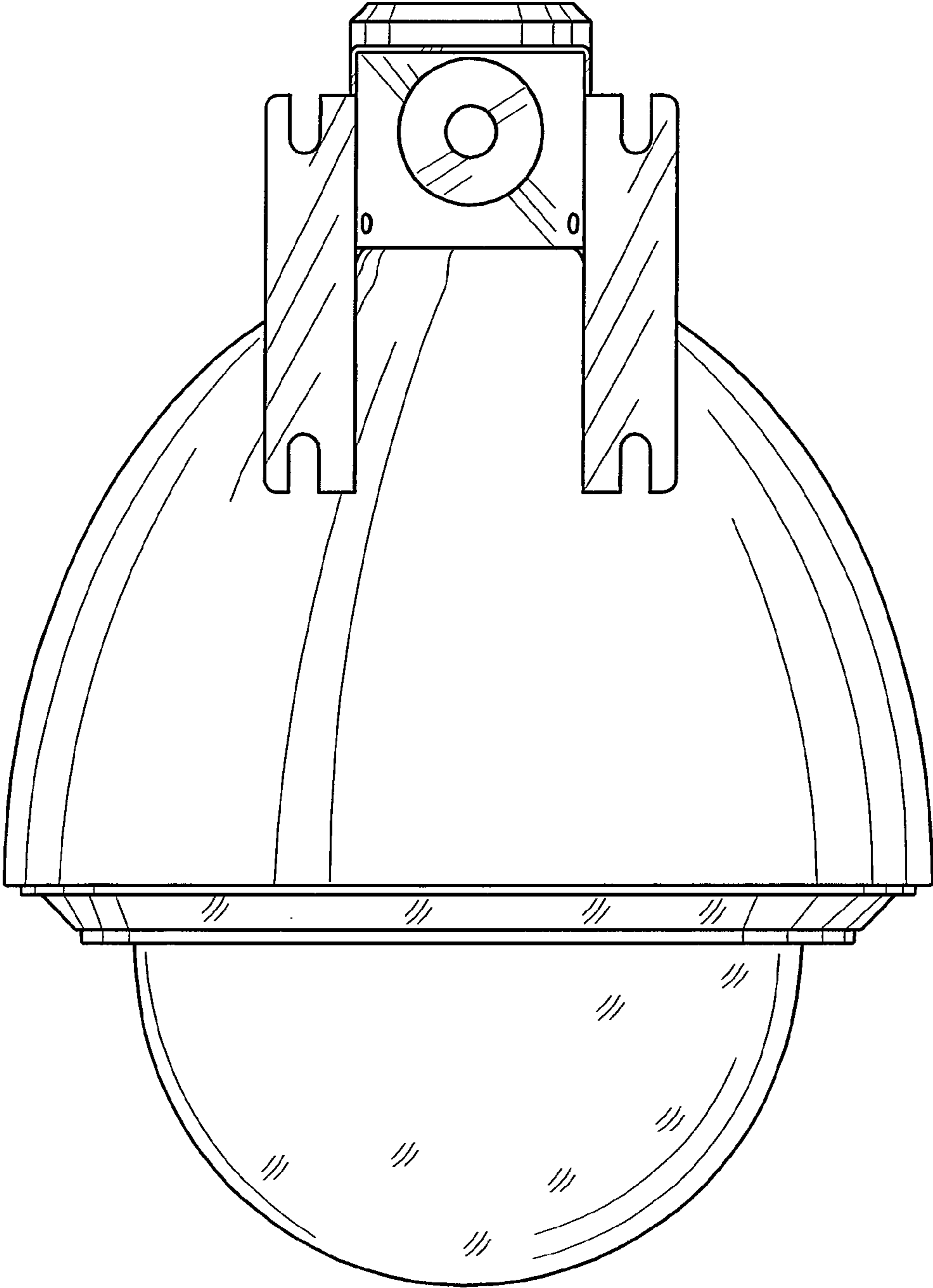


FIG.4

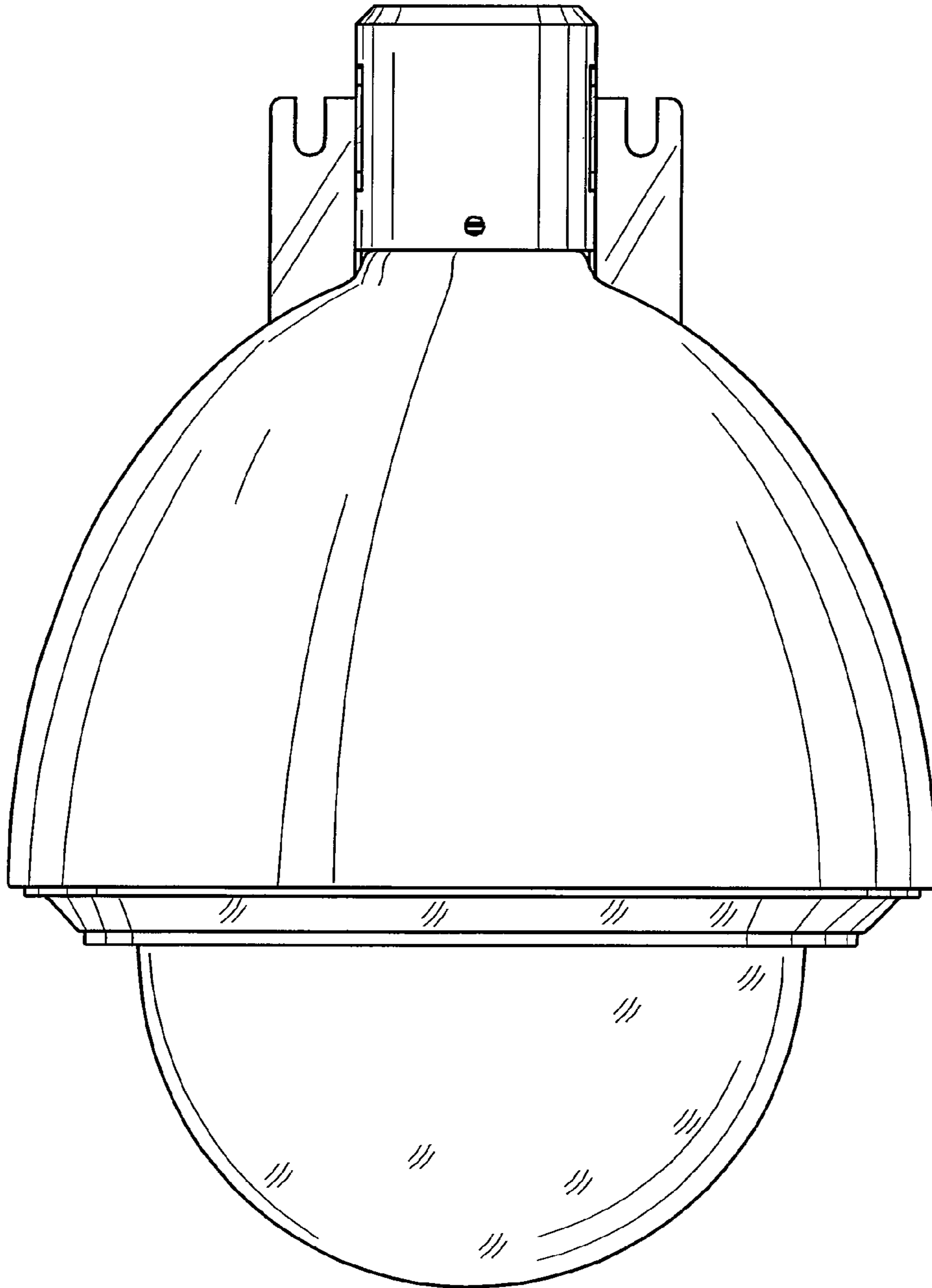


FIG.5

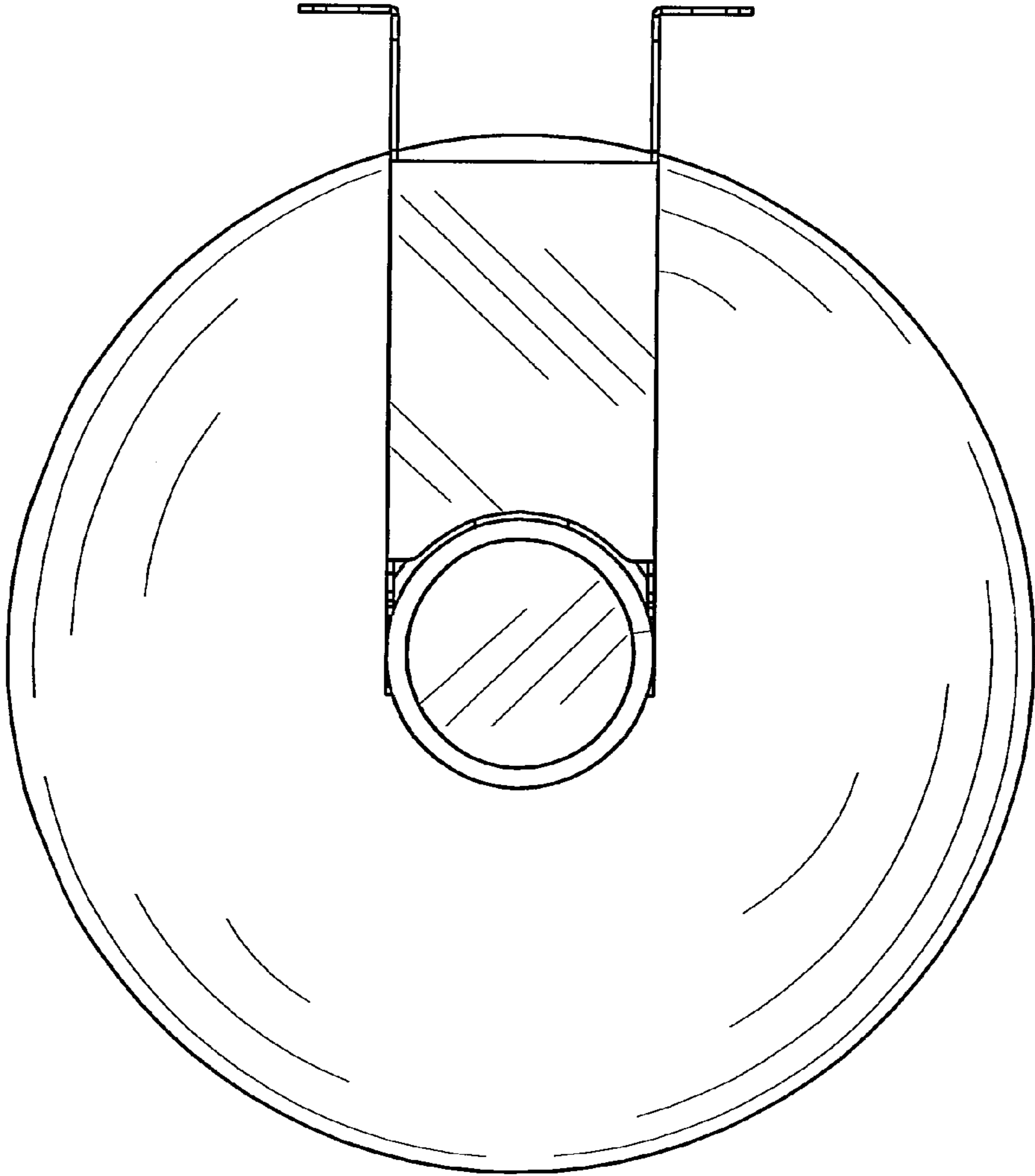


FIG.6

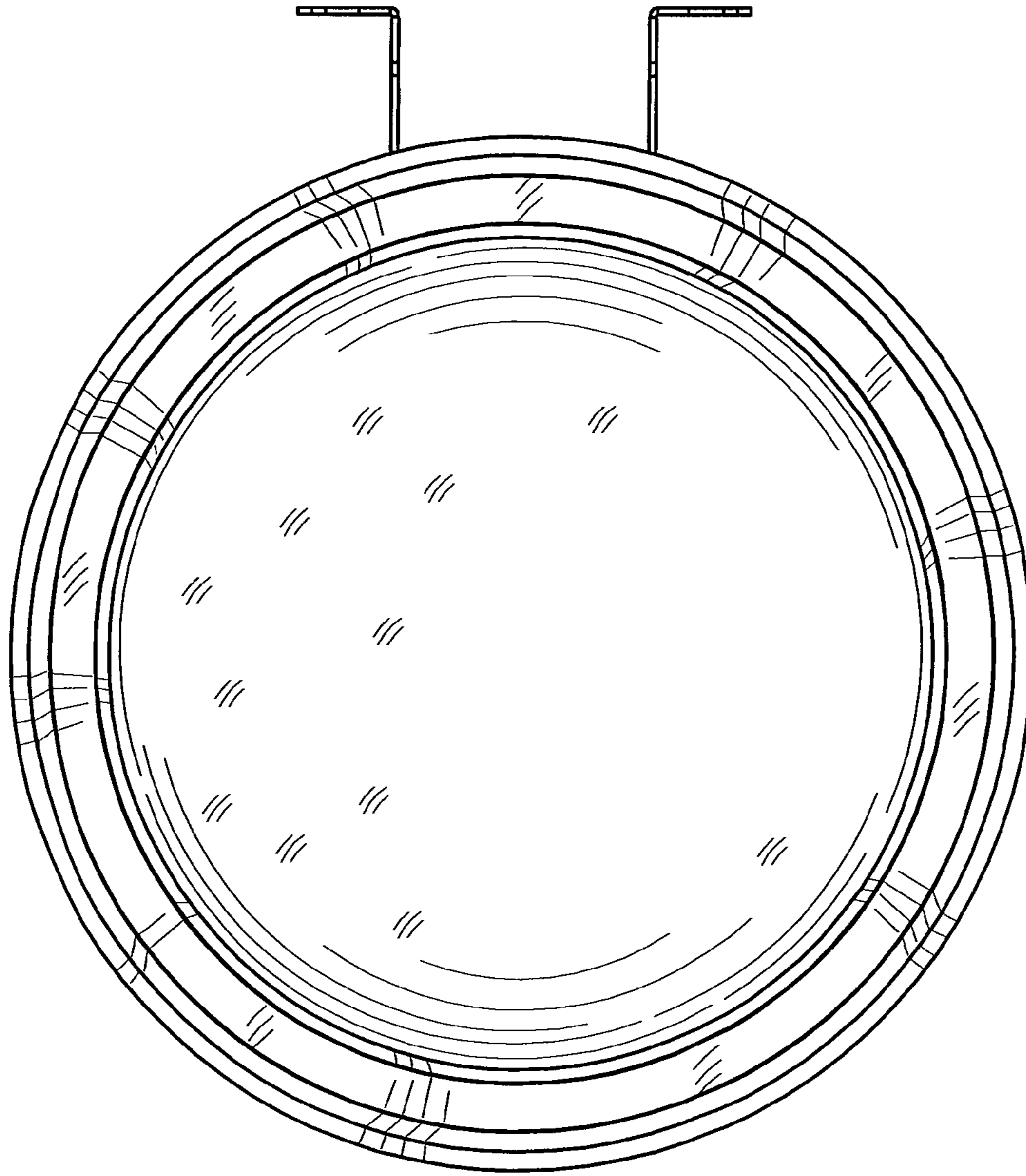


FIG.7