



US00D701256S

(12) **United States Design Patent**
Song et al.

(10) **Patent No.:** **US D701,256 S**
(45) **Date of Patent:** **** Mar. 18, 2014**

(54) **INTELLIGENT GUIDE ROBOT**

(56) **References Cited**

- (71) Applicant: **Future Robot Co., Ltd.**, Seongnam-si (KR)
- (72) Inventors: **Se Kyong Song**, Seongnam-si (KR); **Sang Ki Lee**, Seongnam-si (KR); **Jong Shin Na**, Seoul (KR); **Se Min Lee**, Seoul (KR)
- (73) Assignee: **Future Robot Co., Ltd.**, Seongnam-si, Gyeonggi-do (KR)
- (**) Term: **14 Years**
- (21) Appl. No.: **29/441,798**
- (22) Filed: **Jan. 9, 2013**
- (30) **Foreign Application Priority Data**

U.S. PATENT DOCUMENTS

4,717,364	A	*	1/1988	Furukawa	446/175
D298,766	S	*	11/1988	Tanno et al.	D21/578
D456,080	S	*	4/2002	Karlsson	D24/185
D549,756	S	*	8/2007	Park et al.	D15/199
D563,443	S	*	3/2008	Ahn et al.	D15/199
D566,737	S	*	4/2008	Matsuda	D15/199
D572,739	S	*	7/2008	Jennings et al.	D15/199
D579,035	S	*	10/2008	Kim et al.	D15/199
D608,804	S	*	1/2010	Labak et al.	D15/199
D631,074	S	*	1/2011	Peters et al.	D15/144
D635,603	S	*	4/2011	Paz Rodriguez	D15/199
D644,256	S	*	8/2011	Kitano et al.	D15/199
D663,333	S	*	7/2012	Kitano et al.	D15/199
D675,656	S	*	2/2013	Sutherland et al.	D15/199
2007/0132419	A1	*	6/2007	Hashimoto et al.	318/568.12
2009/0169347	A1	*	7/2009	Teng et al.	414/401

* cited by examiner

Primary Examiner — Patricia Palasik

(74) *Attorney, Agent, or Firm* — IP Attorneys Group, LLC

- Jul. 10, 2012 (KR) 30-2012-0033571
- (51) **LOC (10) Cl.** **15-99**
- (52) **U.S. Cl.**
- USPC **D15/199**
- (58) **Field of Classification Search**
- USPC D6/396, 397; D15/199; D20/21, 31, 99; D21/59, 578-583, 593, 621, 622; D24/176; D25/16; D32/21; D34/35; 74/490.01, 490.02, 490.03, 490.05; 180/8.6; 198/367, 370.1, 370.04, 772, 198/771, 782, 866, 890, 890.1; 219/124.34, 219/639; 318/560, 568.12, 568.2; 364/424.02; 414/744.1, 935, 936, 937, 414/938, 940; 446/268-274, 280, 285, 446/289-292, 294, 297-303, 353-355, 446/376-384

See application file for complete search history.

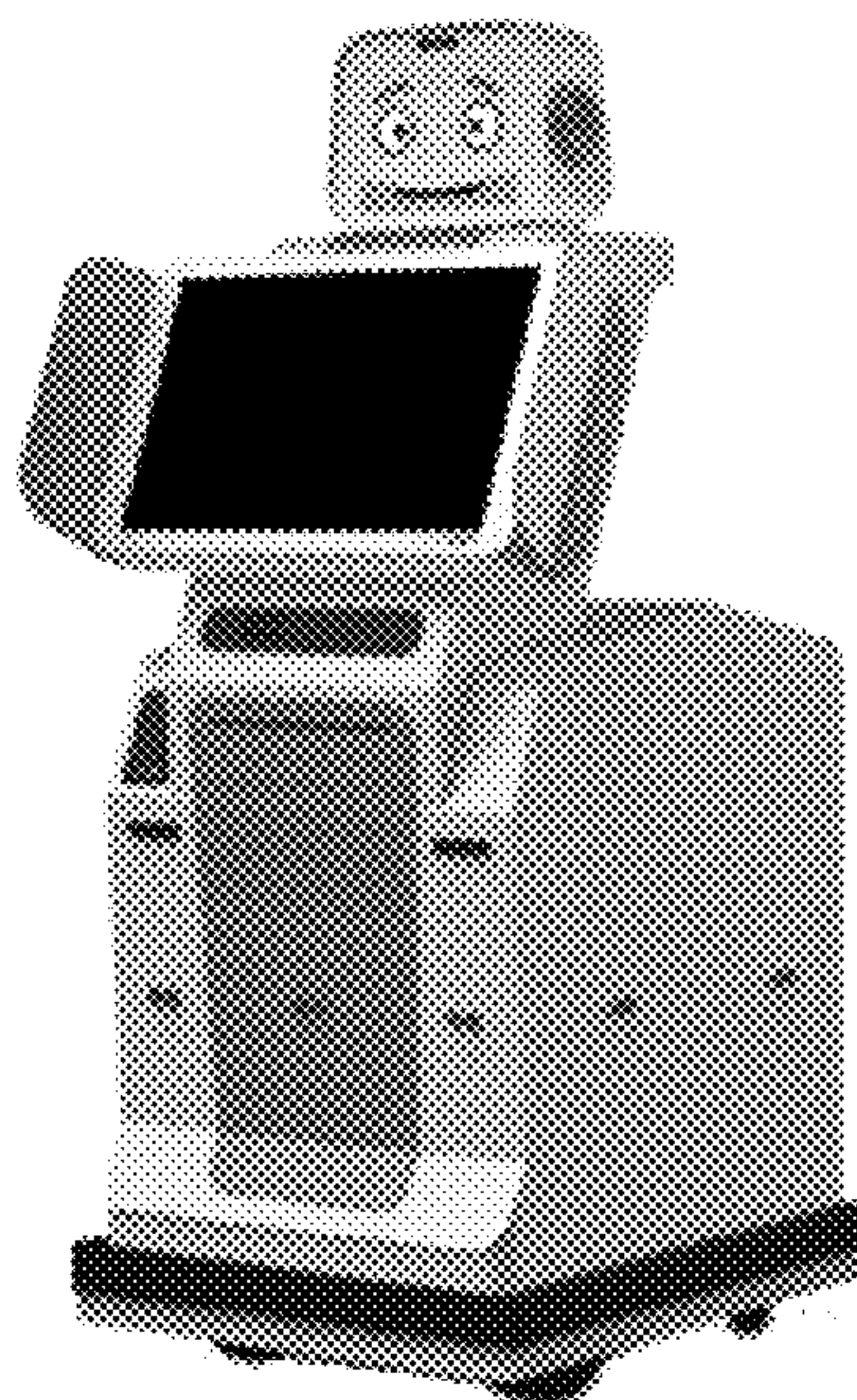
(57) **CLAIM**

The ornamental design for an intelligent guide robot, as shown and described.

DESCRIPTION

FIG. 1 is a perspective view of an intelligent guide robot in accordance with the new design; FIG. 2 is a front view thereof; FIG. 3 is a back view thereof; FIG. 4 is a left side view thereof; FIG. 5 is a right side view thereof; and, FIG. 6 is a top view thereof.

1 Claim, 6 Drawing Sheets



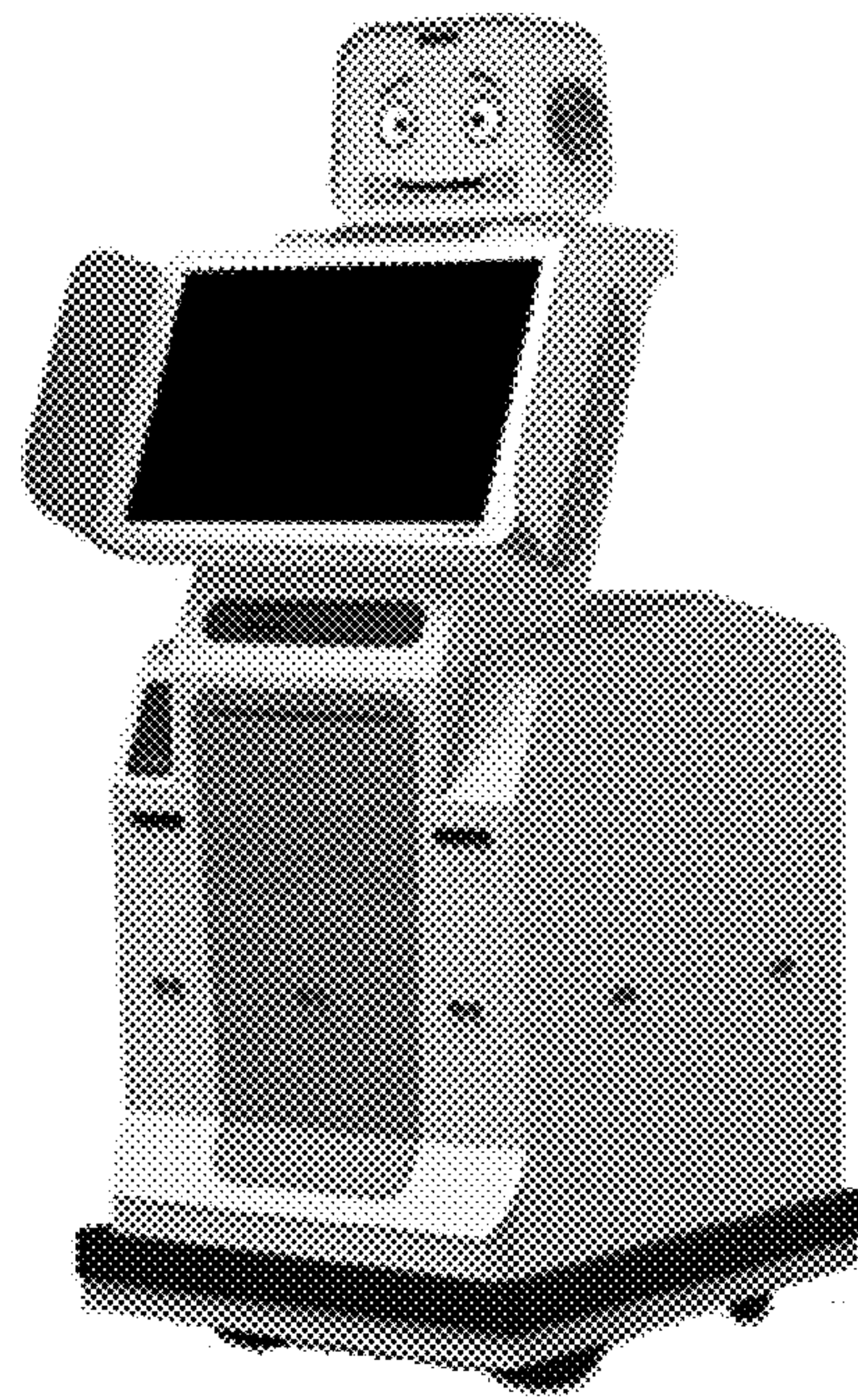


FIG. 1



FIG. 2

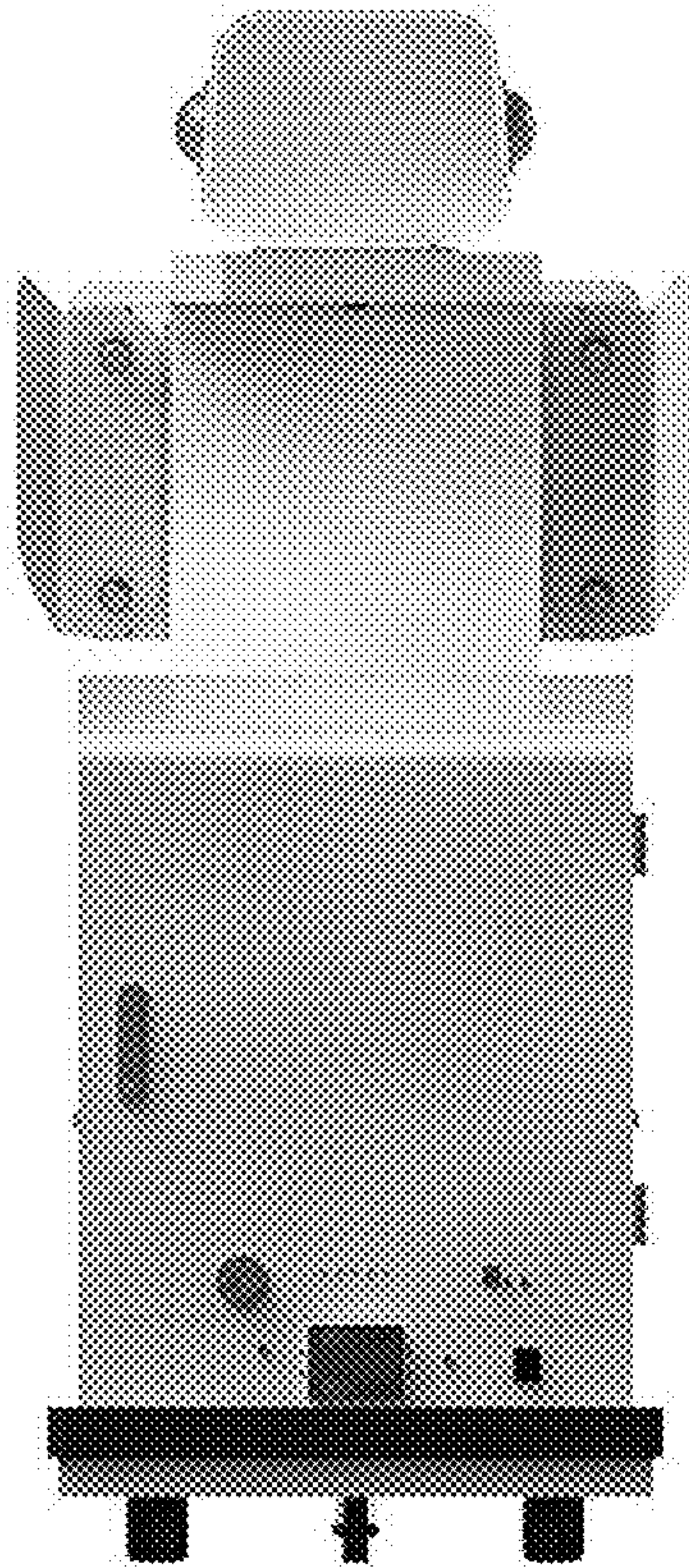


FIG. 3

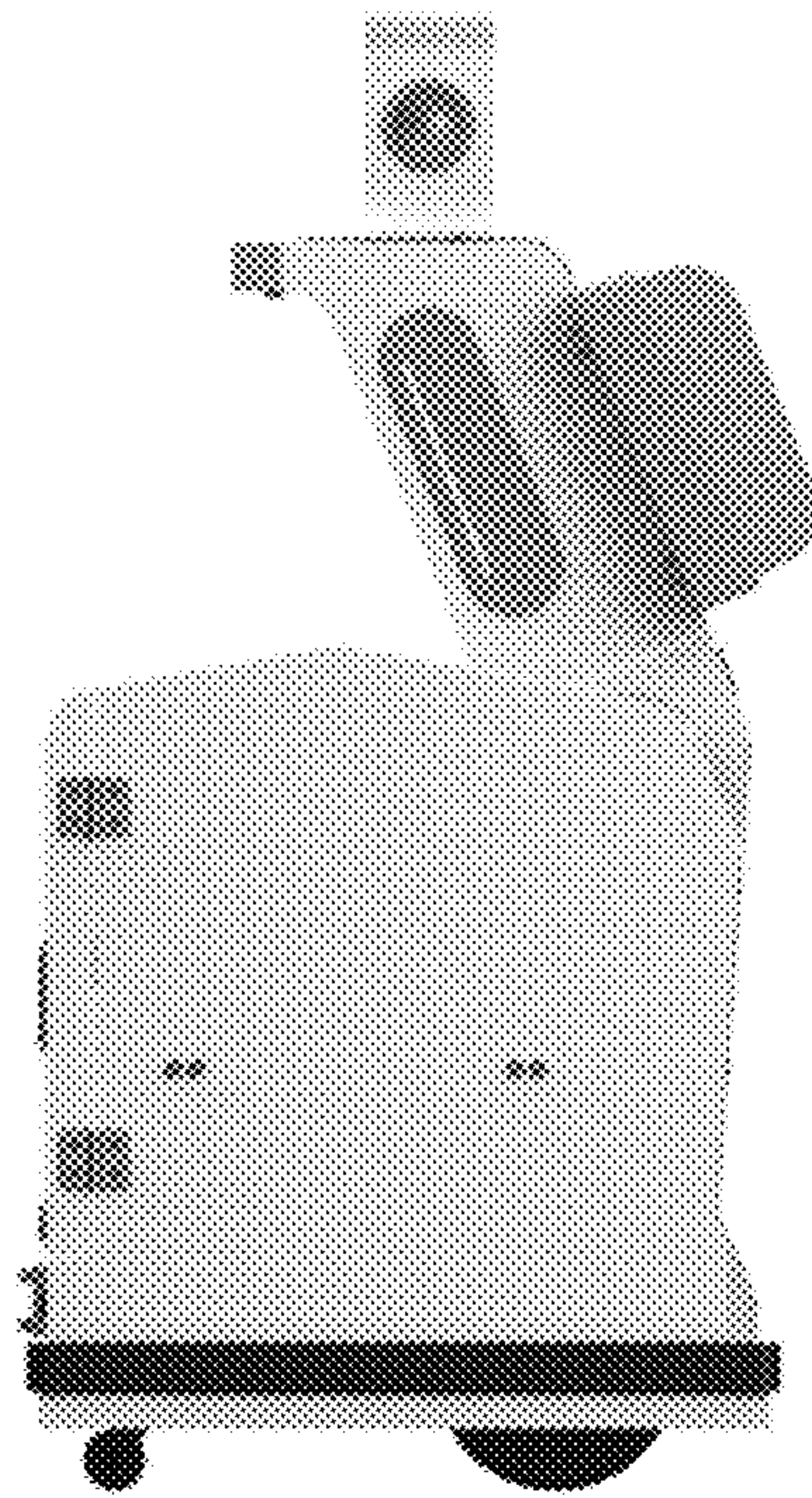


FIG. 4

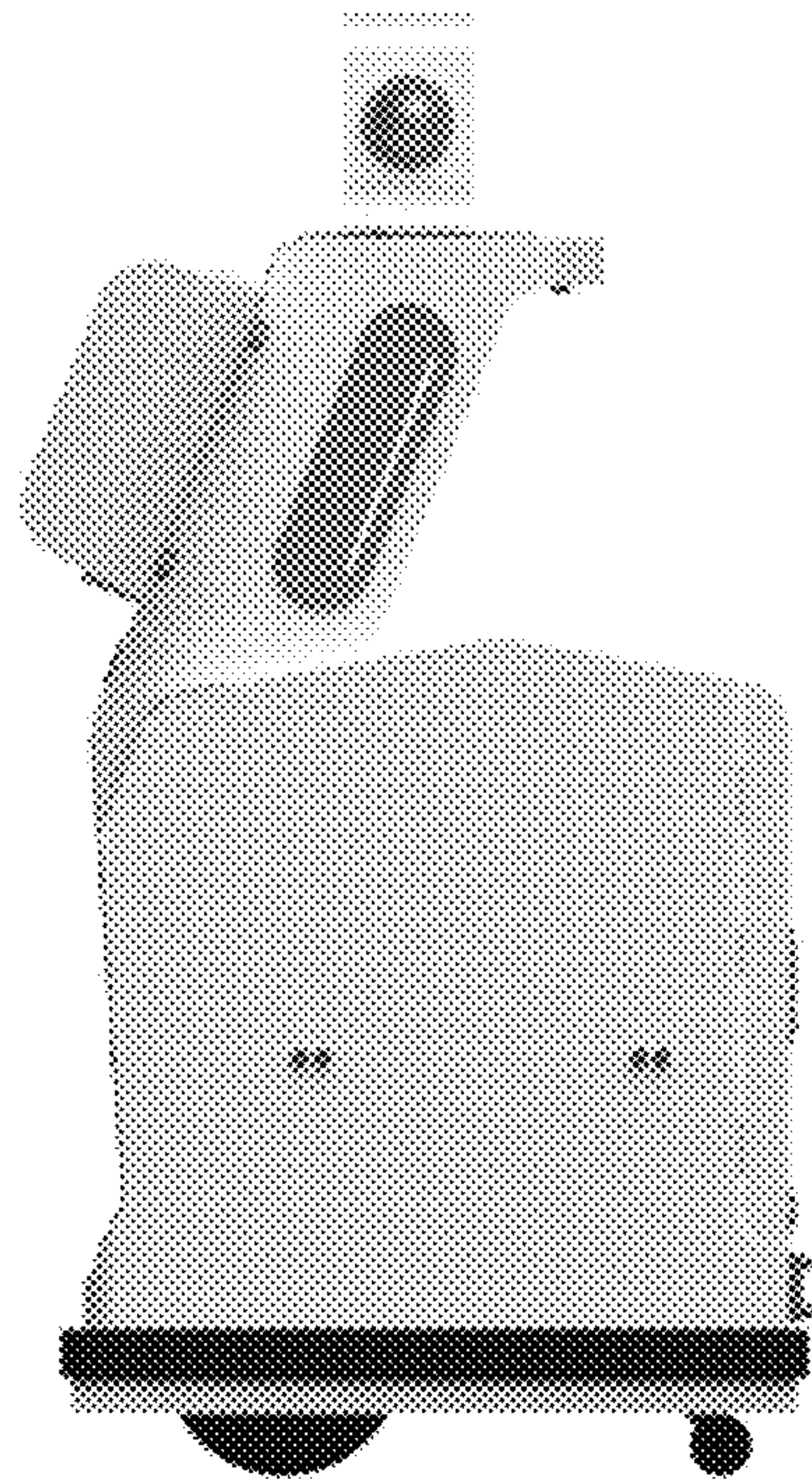


FIG. 5

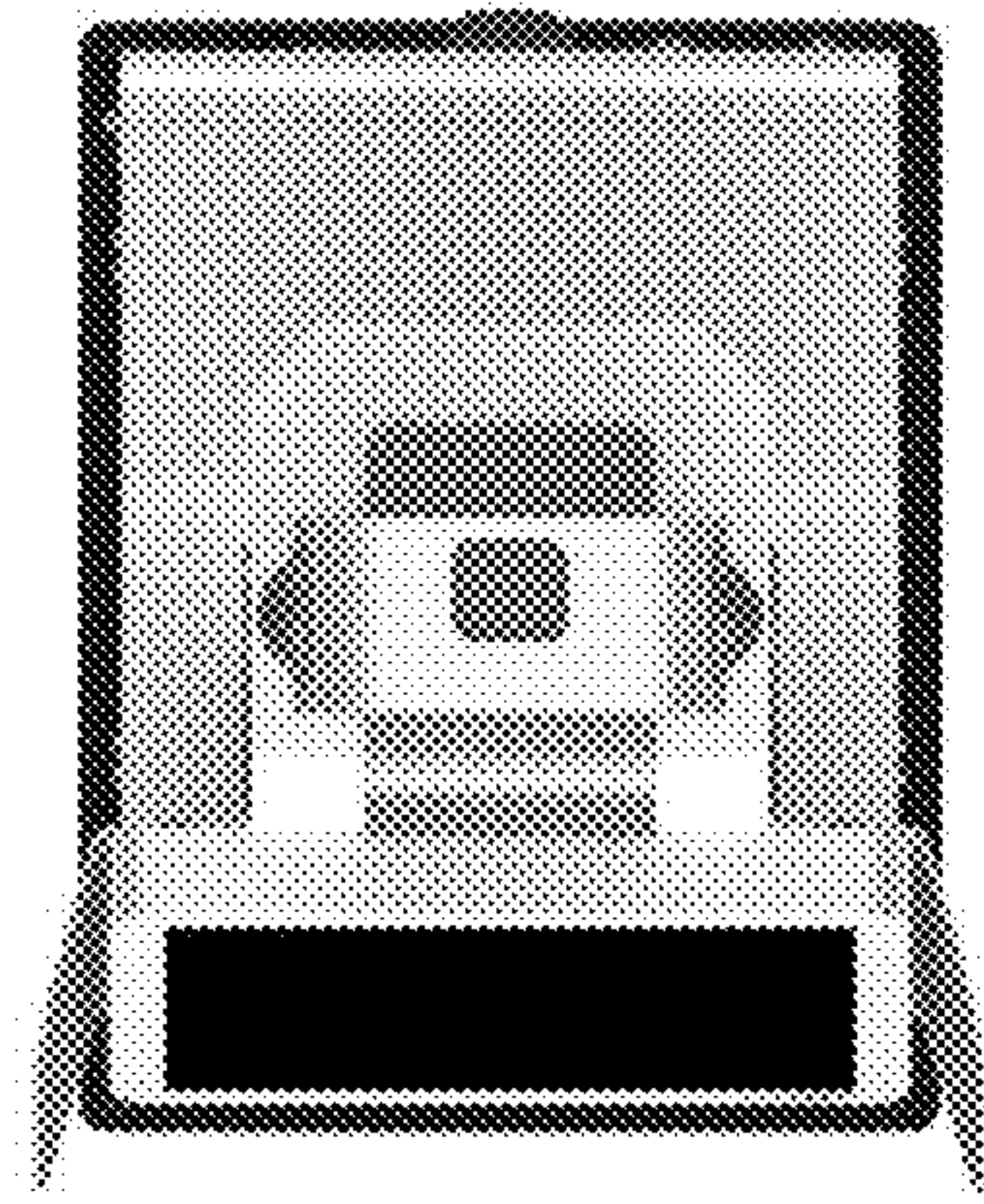


FIG. 6