



US00D701252S

(12) **United States Design Patent**  
**Thoma**

(10) **Patent No.:** **US D701,252 S**  
(45) **Date of Patent:** **\*\* \*Mar. 18, 2014**

(54) **GUILLOTINE-TYPE CUTTING MACHINE**

(71) Applicant: **Adolf Mohr Maschinenfabrick GmbH & Co. KG**, Hofheim am Taunus (DE)

(72) Inventor: **Gerhard Thoma**, Hofheim (DE)

(73) Assignee: **Adolf Mohr Maschinenfabrik GmbH & Co. KG**, Hofheim am Taunus (DE)

(\*) Notice: This patent is subject to a terminal disclaimer.

(\*\*) Term: **14 Years**

(21) Appl. No.: **29/435,783**

(22) Filed: **Oct. 29, 2012**

(30) **Foreign Application Priority Data**

May 2, 2012 (EM) ..... 002035832-0007

(51) **LOC (10) Cl.** ..... **15-09**

(52) **U.S. Cl.**  
USPC ..... **D15/127; D8/34.7**

(58) **Field of Classification Search**  
USPC ..... D15/122, 127, 131, 133, 134;  
D18/34.1, 34.3, 34.7, 34.8, 34.9;  
29/26 A, 26 R, 30, 33 A-33 T, 34 R, 39,  
29/50, 563-566, 564.1-564.8; 30/155,  
30/159-163, 318; 83/407, 408, 455, 600,  
83/601, 605, 698.11; 483/17-57

See application file for complete search history.

(56) **References Cited**

**U.S. PATENT DOCUMENTS**

D137,389 S 2/1944 Spiller  
D198,995 S 8/1964 Ashford  
D199,864 S 12/1964 Schreckengost et al.  
D210,691 S 4/1968 Chase et al.

D212,862 S 12/1968 Chase et al.  
3,501,988 A 3/1970 Morelli  
3,733,952 A 5/1973 Fukugami et al.  
D274,335 S 6/1984 Jenkins  
D280,904 S 10/1985 Kruse et al.  
D286,407 S 10/1986 Itoh et al.  
D298,833 S \* 12/1988 Yang ..... D15/127  
D300,933 S 5/1989 Gemmani  
D302,165 S \* 7/1989 Itoh et al. .... D15/127  
4,850,257 A 7/1989 Mohr  
D330,032 S 10/1992 Cromer et al.  
D331,066 S 11/1992 Englert  
5,183,993 A 2/1993 Sato et al.  
D336,749 S 6/1993 Lenard et al.  
5,257,567 A 11/1993 Walker et al.  
5,410,119 A 4/1995 Lehmann  
D388,103 S \* 12/1997 Gotou et al. .... D15/127  
5,765,460 A \* 6/1998 Wathieu ..... 83/37  
5,914,054 A \* 6/1999 Ito et al. .... 219/69.11  
D415,175 S 10/1999 Lin  
D427,614 S \* 7/2000 Miyake et al. .... D15/127  
D428,025 S 7/2000 Miyake et al.  
D510,942 S 10/2005 Kuriki et al.  
7,000,516 B2 2/2006 Lin et al.  
7,011,008 B2 3/2006 McLean et al.  
D542,311 S \* 5/2007 Inaba et al. .... D15/127  
D544,003 S 6/2007 Inaba et al.

(Continued)

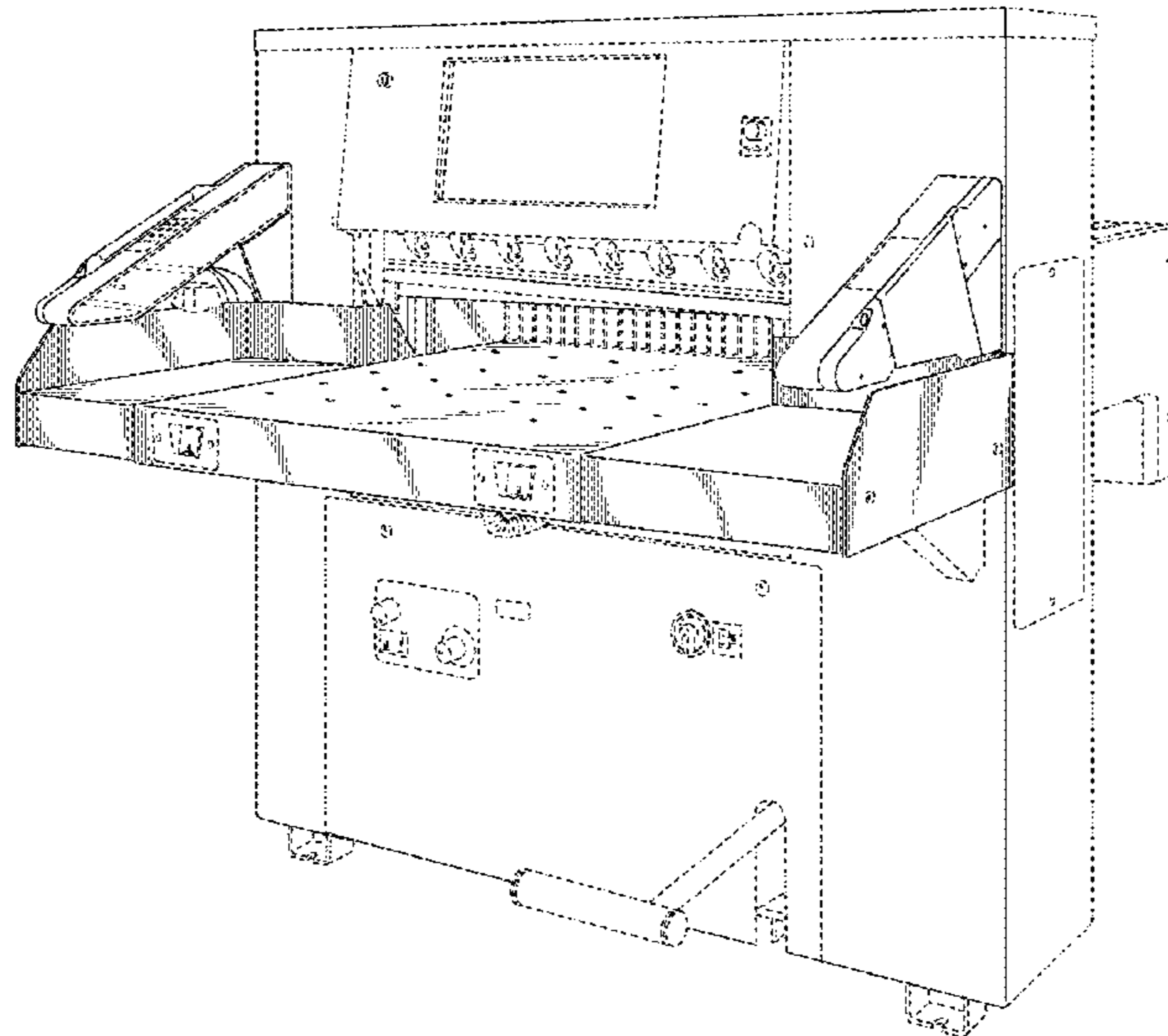
*Primary Examiner* — Patricia Palasik  
(74) *Attorney, Agent, or Firm* — Price Heneveld LLP

(57) **CLAIM**  
The ornamental design for a guillotine-type cutting machine, as shown and described.

**DESCRIPTION**

FIG. 1 is a front elevational view of a guillotine-type cutting machine, showing my new design; and, FIG. 2 is a perspective view thereof. The broken lines in the drawings depict unclaimed environmental subject matter.

**1 Claim, 2 Drawing Sheets**



(56)

**References Cited**

U.S. PATENT DOCUMENTS

D557,295 S 12/2007 Formanek  
D578,144 S 10/2008 Arisue et al.  
D608,799 S 1/2010 Tokiwa et al.  
D633,115 S 2/2011 Brown et al.

D637,631 S 5/2011 Hiroshima et al.  
D638,449 S 5/2011 Schindler et al.  
D649,174 S 11/2011 Schindler  
D649,567 S 11/2011 Schindler  
D668,277 S 10/2012 Miyake et al.  
D668,278 S \* 10/2012 Miyake et al. .... D15/127  
2005/0005750 A1 1/2005 Lin et al.

\* cited by examiner

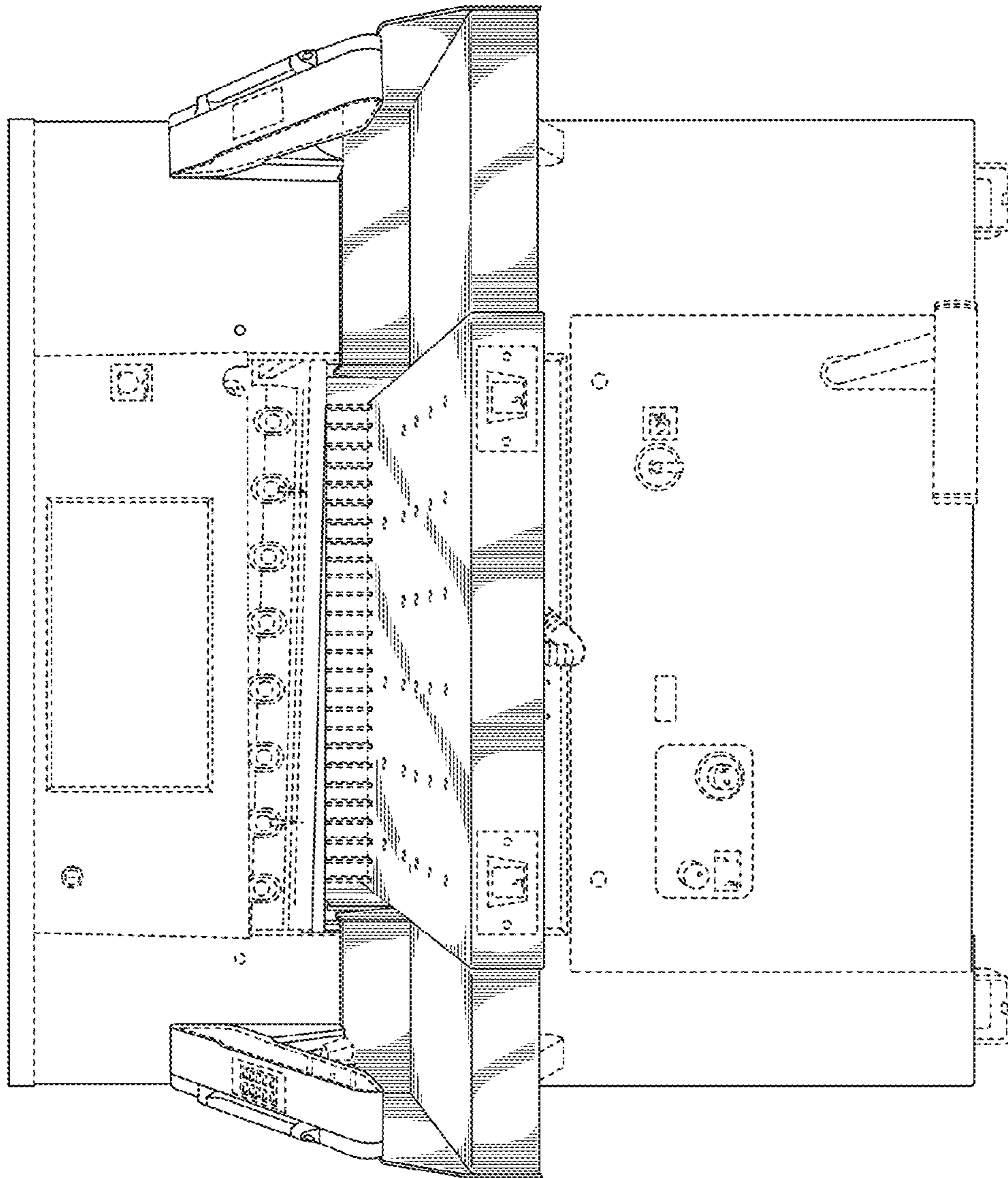


Fig. 1

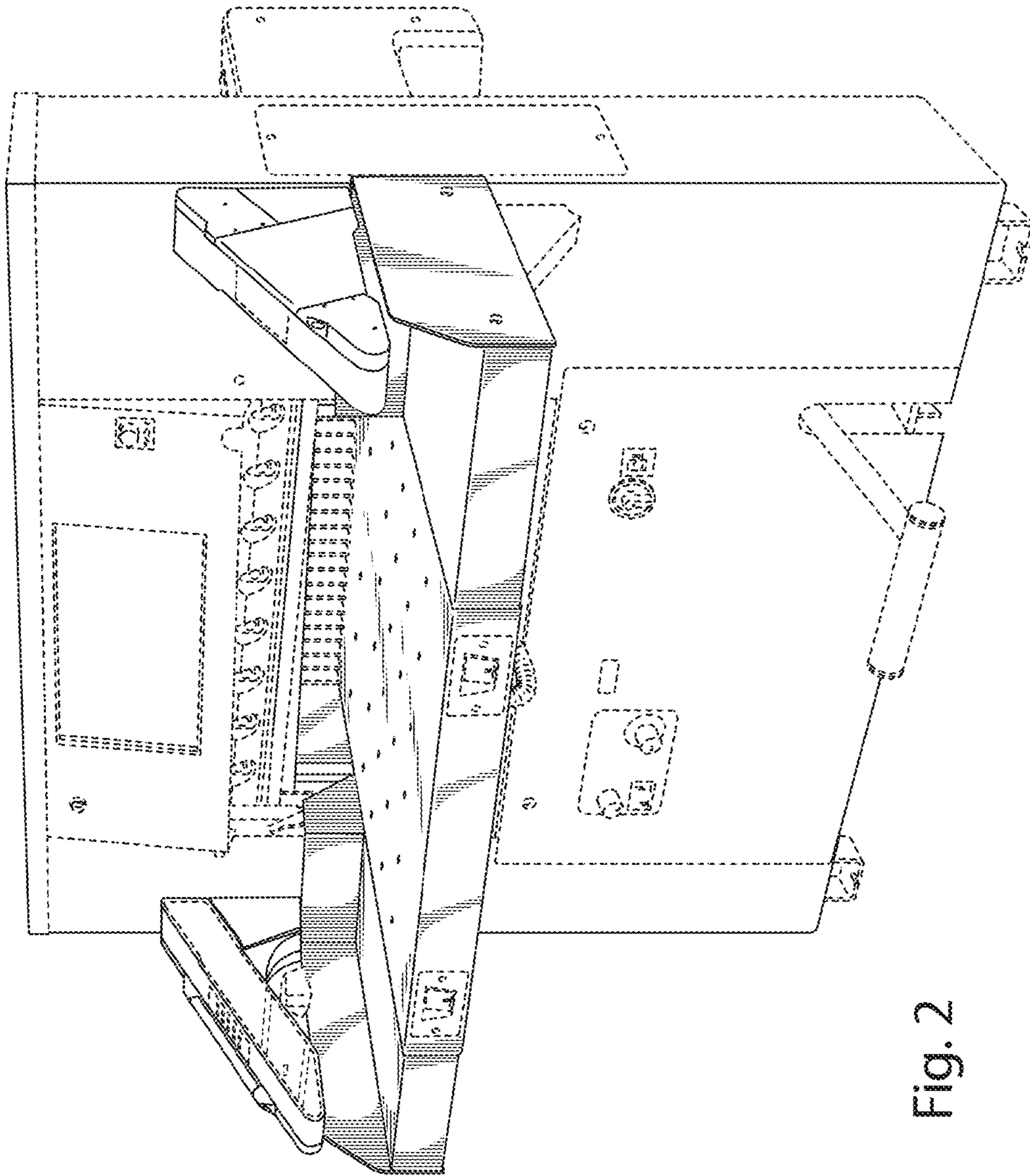


Fig. 2