



US00D701251S

(12) **United States Design Patent**  
**Thoma**

(10) **Patent No.:** **US D701,251 S**  
(45) **Date of Patent:** **\*\* \*Mar. 18, 2014**

- (54) **GUILLOTINE-TYPE CUTTING MACHINE**
- (71) Applicant: **Adolf Mohr Maschinenfabrik GmbH & Co. KG**, Hofheim am Taunus (DE)
- (72) Inventor: **Gerhard Thoma**, Hofheim (DE)
- (73) Assignee: **Adolf Mohr Maschinenfabrik GmbH & Co. KG**, Hofheim am Taunus (DE)
- (\*) Notice: This patent is subject to a terminal disclaimer.
- (\*\*) Term: **14 Years**
- (21) Appl. No.: **29/435,782**
- (22) Filed: **Oct. 29, 2012**
- (30) **Foreign Application Priority Data**  
  - May 2, 2012 (EM) ..... 002035832-0006
- (51) **LOC (10) Cl.** ..... **15-09**
- (52) **U.S. Cl.**  
USPC ..... **D15/127; D8/34.7**
- (58) **Field of Classification Search**  
USPC ..... D15/122, 127, 131, 133, 134;  
D18/34.1, 34.3, 34.7, 34.8, 34.9;  
29/26 A, 26 R, 30, 33 A-33 T, 34 R, 39,  
29/50, 563-566, 564.1-564.8; 30/155,  
30/159-163, 318; 83/407, 408, 455, 600,  
83/601, 605, 698.11; 483/17-57  
See application file for complete search history.

D212,862 S	12/1968	Chase et al.	
3,501,988 A	3/1970	Morelli	
3,733,952 A	5/1973	Fukugami et al.	
D274,335 S	6/1984	Jenkins	
D280,904 S	10/1985	Kruse et al.	
D286,407 S	10/1986	Itoh et al.	
D298,833 S *	12/1988	Yang .....	D15/127
D300,933 S	5/1989	Gemmani	
D302,165 S *	7/1989	Itoh et al. ....	D15/127
4,850,257 A	7/1989	Mohr	
D330,032 S	10/1992	Cromer et al.	
D331,066 S	11/1992	Englert	
5,183,993 A	2/1993	Sato et al.	
D336,749 S	6/1993	Lenard et al.	
5,257,567 A	11/1993	Walker et al.	
5,410,119 A	4/1995	Lehmann	
D388,103 S *	12/1997	Gotou et al. ....	D15/127
5,765,460 A *	6/1998	Wathieu .....	83/37
5,914,054 A *	6/1999	Ito et al. ....	219/69.11
D415,175 S	10/1999	Lin	
D427,614 S *	7/2000	Miyake et al. ....	D15/127
D428,025 S	7/2000	Miyake et al.	
D510,942 S	10/2005	Kuriki et al.	
7,000,516 B2	2/2006	Lin et al.	
7,011,008 B2	3/2006	McLean et al.	
D542,311 S *	5/2007	Inaba et al. ....	D15/127
D544,003 S	6/2007	Inaba et al.	

(Continued)

*Primary Examiner* — Patricia Palasik  
(74) *Attorney, Agent, or Firm* — Price Heneveld LLP

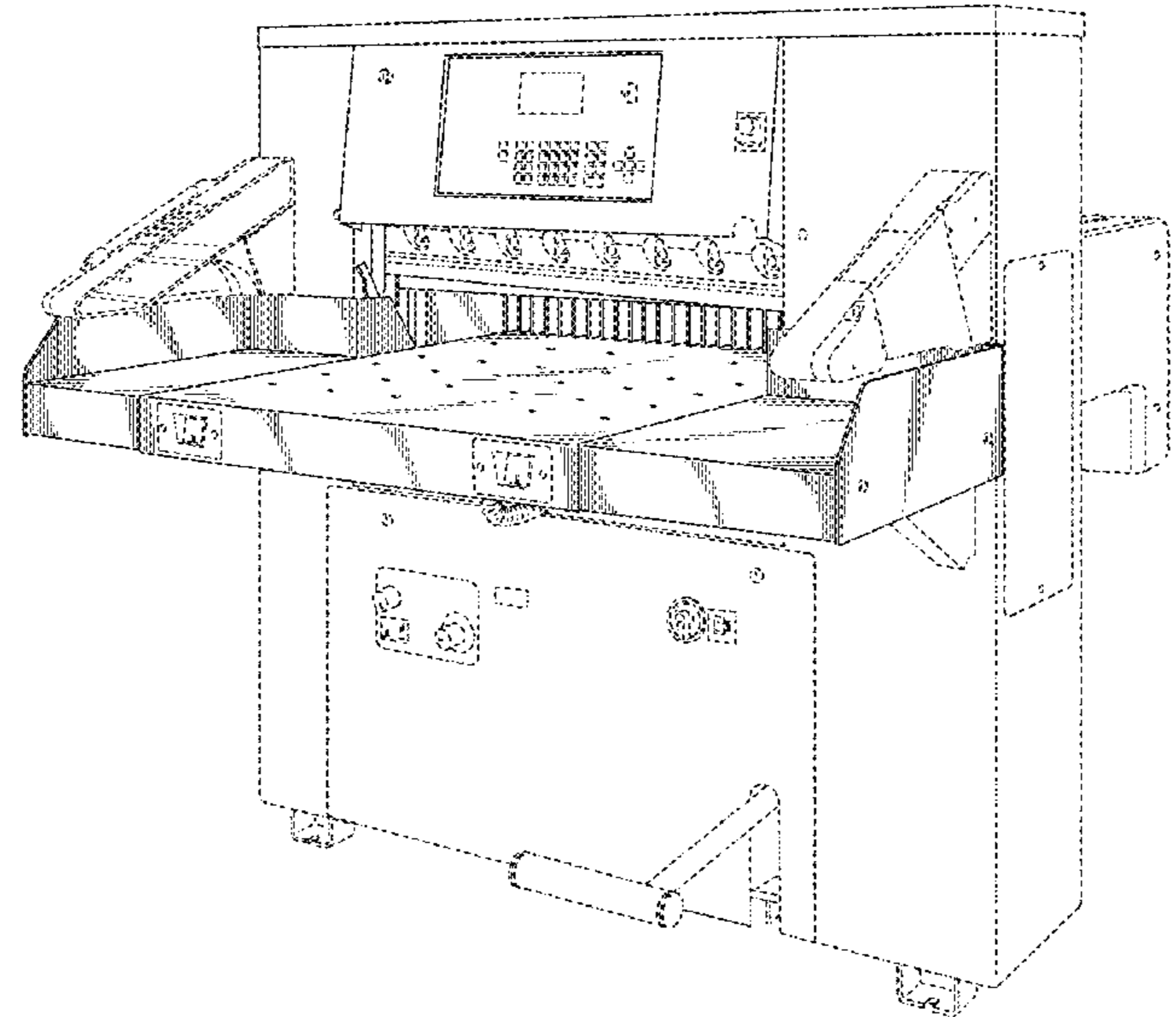
(57) **CLAIM**  
The ornamental design for a guillotine-type cutting machine, as shown and described.

**DESCRIPTION**

FIG. 1 is a front elevational view of a guillotine-type cutting machine, showing my new design; and, FIG. 2 is a perspective view thereof. The broken lines in the drawings depict unclaimed environmental subject matter.

**1 Claim, 2 Drawing Sheets**

- (56) **References Cited**  
U.S. PATENT DOCUMENTS
- D137,389 S     2/1944   Spiller
- D198,995 S     8/1964   Ashford
- D199,864 S     12/1964   Schreckengost et al.
- D210,691 S     4/1968   Chase et al.



(56)

**References Cited**

U.S. PATENT DOCUMENTS

D557,295 S 12/2007 Formanek  
D578,144 S 10/2008 Arisue et al.  
D608,799 S 1/2010 Tokiwa et al.  
D633,115 S 2/2011 Brown et al.

D637,631 S 5/2011 Hiroshima et al.  
D638,449 S 5/2011 Schindler et al.  
D649,174 S 11/2011 Schindler  
D649,567 S 11/2011 Schindler  
D668,277 S 10/2012 Miyake et al.  
D668,278 S \* 10/2012 Miyake et al. .... D15/127  
2005/0005750 A1 1/2005 Lin et al.

\* cited by examiner

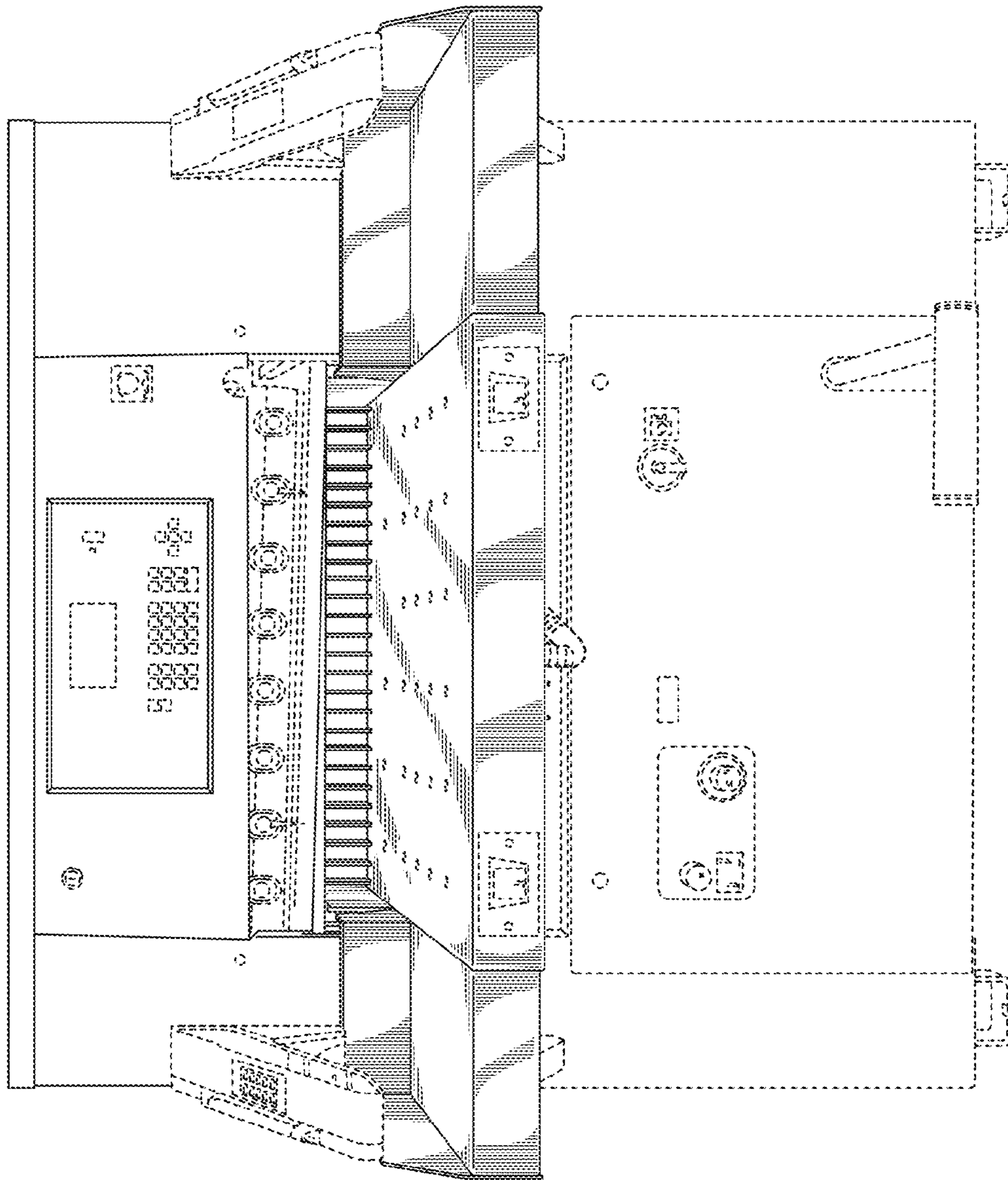


Fig. 1

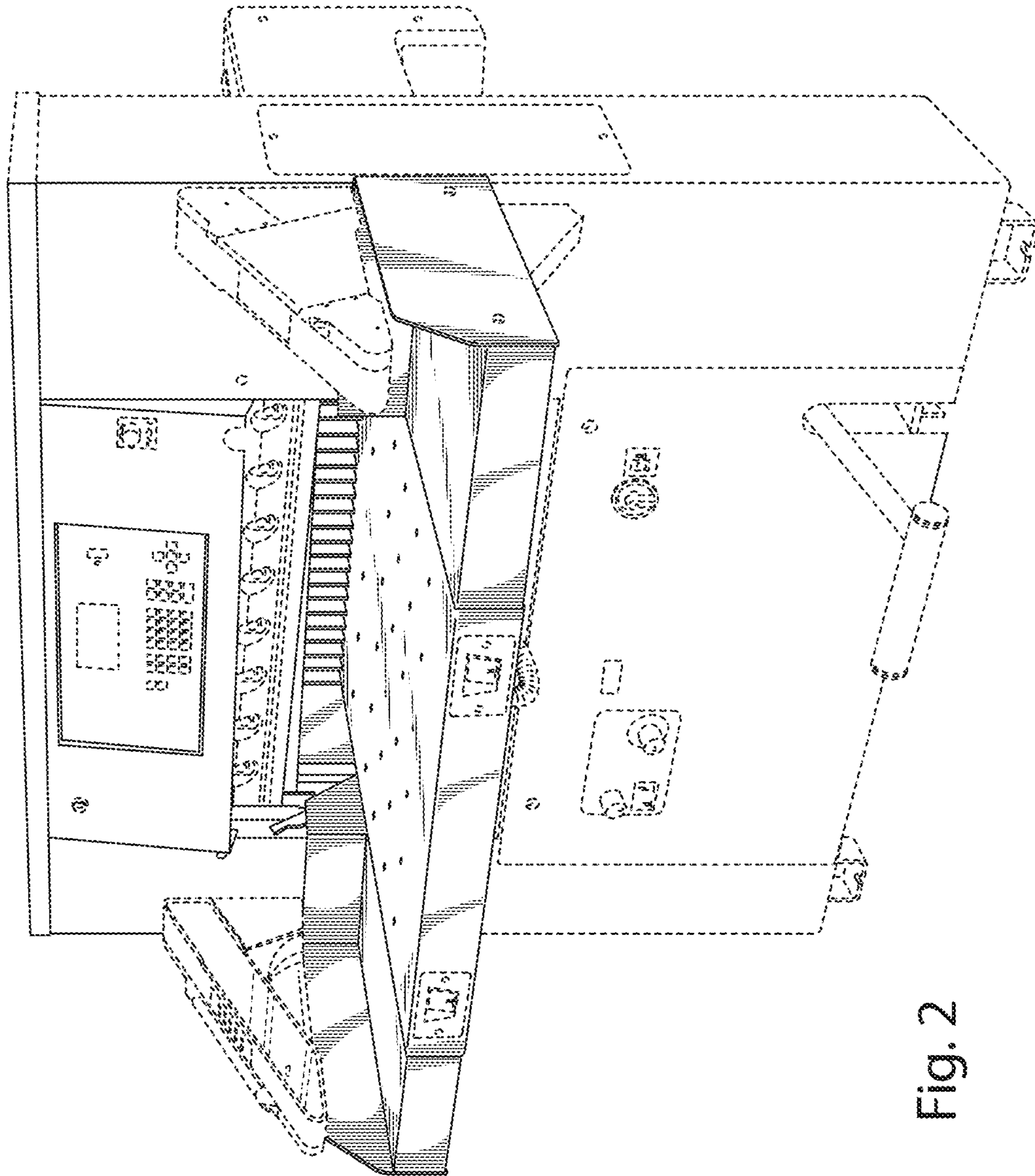


Fig. 2