



US00D701250S

(12) **United States Design Patent**
Thoma

(10) **Patent No.:** **US D701,250 S**
(45) **Date of Patent:** **** Mar. 18, 2014**

(54) **GUILLOTINE-TYPE CUTTING MACHINE**

(71) Applicant: **Adolf Mohr Maschinenfabrik GmbH & Co. KG**, Hofheim am Taunus (DE)

(72) Inventor: **Gerhard Thoma**, Hofheim (DE)

(73) Assignee: **Adolf Mohr Maschinenfabrik GmbH & Co. KG**, Hofheim am Taunus (DE)

(**) Term: **14 Years**

(21) Appl. No.: **29/435,781**

(22) Filed: **Oct. 29, 2012**

(30) **Foreign Application Priority Data**

May 2, 2012 (EM) 002035832-0005

(51) **LOC (10) Cl.** **15-09**

(52) **U.S. Cl.**
USPC **D15/127; D8/34.7**

(58) **Field of Classification Search**
USPC D15/122, 127, 131, 133, 134;
D18/34.1, 34.3, 34.7, 34.8, 34.9;
29/26 A, 26 R, 30, 33 A-33 T, 34 R, 39,
29/50, 563-566, 564.1-564.8; 30/155,
30/159-163, 318; 83/407, 408, 455, 600,
83/601, 605, 698.11; 483/17-57
See application file for complete search history.

(56) **References Cited**

U.S. PATENT DOCUMENTS

D137,389 S	2/1944	Spiller
D198,995 S	8/1964	Ashford
D199,864 S	12/1964	Schreckengost et al.
D210,691 S	4/1968	Chase et al.
D212,862 S	12/1968	Chase et al.
3,501,988 A	3/1970	Morelli
3,733,952 A	5/1973	Fukugami et al.

D274,335 S	6/1984	Jenkins	
D280,904 S	10/1985	Kruse et al.	
D286,407 S	10/1986	Itoh et al.	
D298,833 S *	12/1988	Yang	D15/127
D300,933 S	5/1989	Gemmani	
D302,165 S *	7/1989	Itoh et al.	D15/127
4,850,257 A	7/1989	Mohr	
D330,032 S	10/1992	Cromer et al.	
D331,066 S	11/1992	Englert	
5,183,993 A	2/1993	Sato et al.	
D336,749 S	6/1993	Lenard et al.	
5,257,567 A	11/1993	Walker et al.	
5,410,119 A	4/1995	Lehmann	
D388,103 S *	12/1997	Gotou et al.	D15/127
5,765,460 A *	6/1998	Wathieu	83/37
5,914,054 A *	6/1999	Ito et al.	219/69.11
D415,175 S	10/1999	Lin	
D427,614 S *	7/2000	Miyake et al.	D15/127
D428,025 S	7/2000	Miyake et al.	
D510,942 S	10/2005	Kuriki et al.	
7,000,516 B2	2/2006	Lin et al.	
7,011,008 B2	3/2006	McLean et al.	
D542,311 S *	5/2007	Inaba et al.	D15/127
D544,003 S	6/2007	Inaba et al.	
D557,295 S	12/2007	Formanek	
D578,144 S	10/2008	Arisue et al.	
D608,799 S	1/2010	Tokiwa et al.	

(Continued)

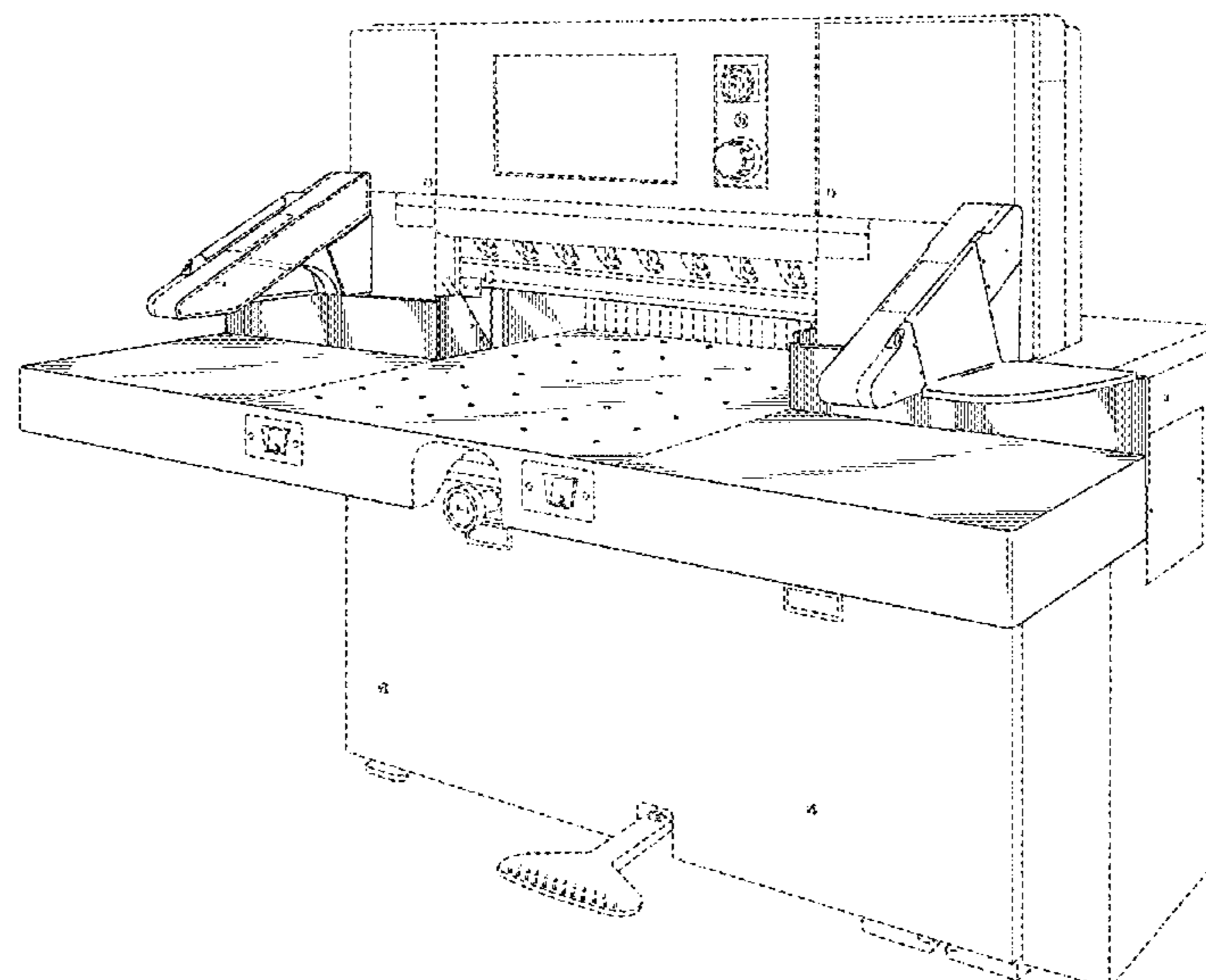
Primary Examiner — Patricia Palasik
(74) *Attorney, Agent, or Firm* — Price Heneveld LLP

(57) **CLAIM**
The ornamental design for a guillotine-type cutting machine, as shown and described.

DESCRIPTION

FIG. 1 is a front elevational view of a guillotine-type cutting machine, showing my new design; and, FIG. 2 is a perspective view thereof. The broken lines in the drawings depict unclaimed environmental subject matter.

1 Claim, 2 Drawing Sheets



(56)

References Cited

U.S. PATENT DOCUMENTS

D633,115 S 2/2011 Brown et al.
D637,631 S 5/2011 Hiroshima et al.
D638,449 S 5/2011 Schindler et al.

D649,174 S 11/2011 Schindler
D649,567 S 11/2011 Schindler
D668,277 S 10/2012 Miyake et al.
D668,278 S * 10/2012 Miyake et al. D15/127
2005/0005750 A1 1/2005 Lin et al.

* cited by examiner

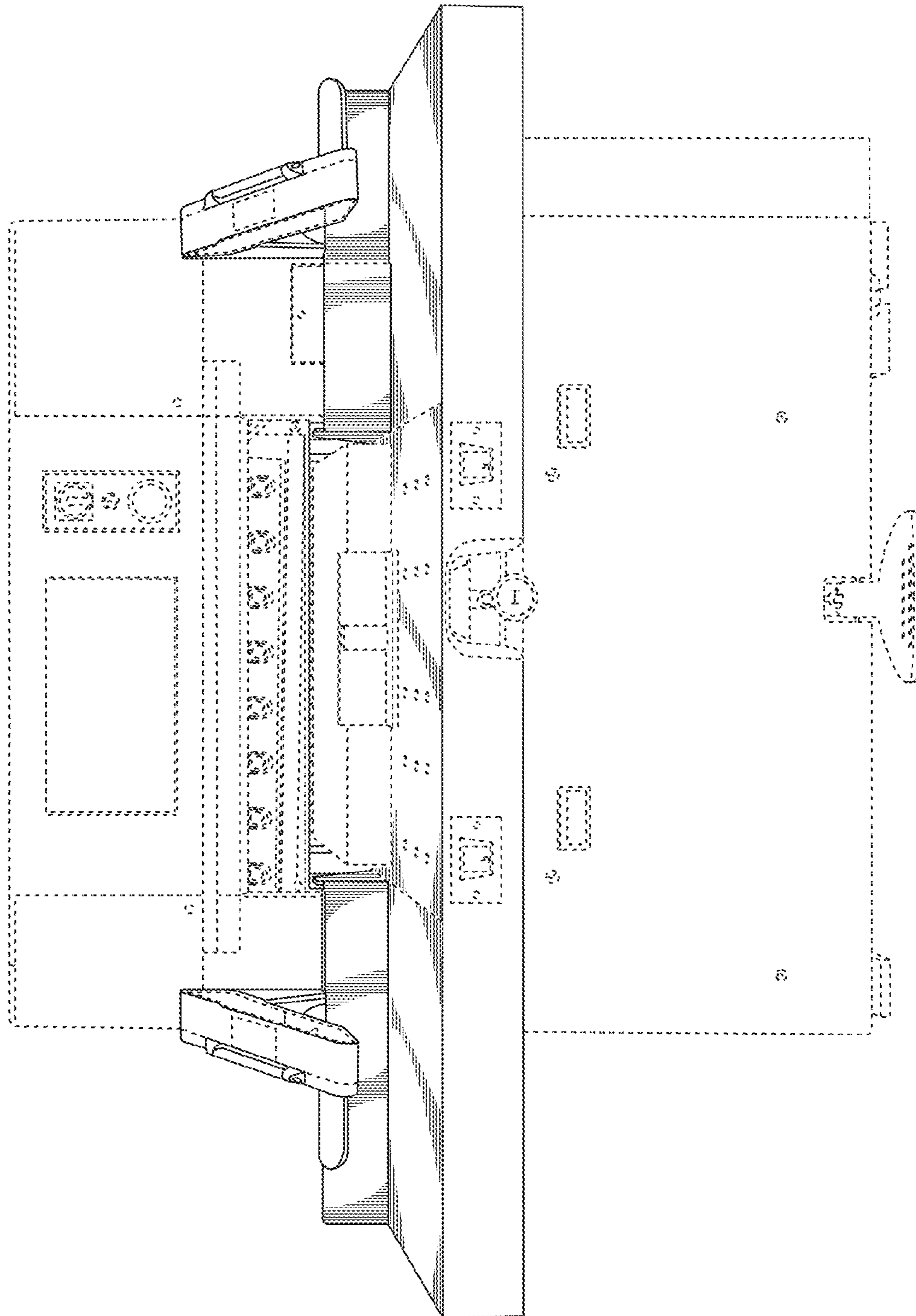


Fig. 1

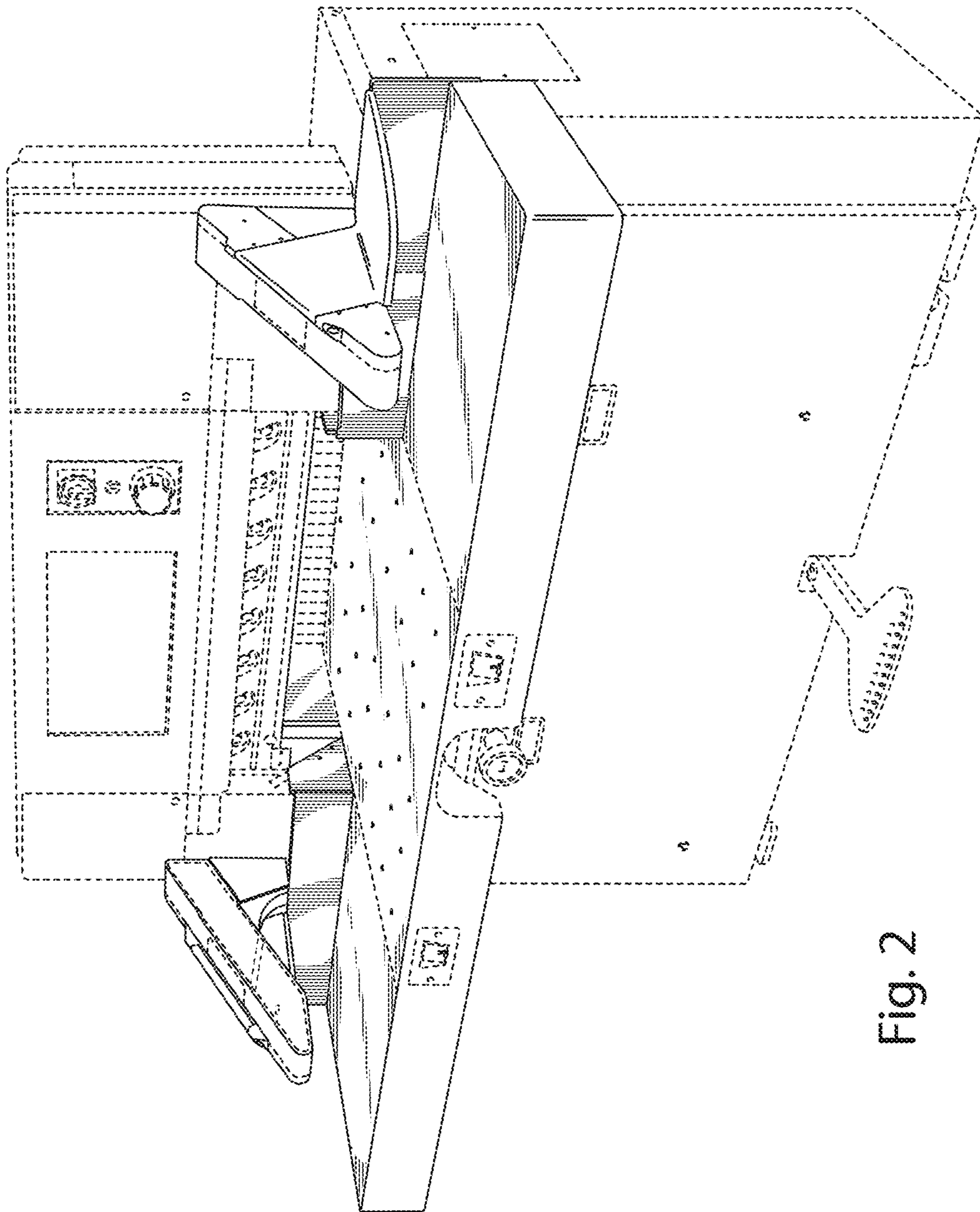


Fig. 2