



US00D701249S

(12) **United States Design Patent**
Fritsch et al.

(10) **Patent No.:** **US D701,249 S**
(45) **Date of Patent:** **** Mar. 18, 2014**

- (54) **DISC FOR SANDING MACHINE**
- (71) Applicant: **Robert Bosch GmbH**, Stuttgart (DE)
- (72) Inventors: **Stephan Fritsch**, Frauenfeld (CH); **Josef Breitenmoser**, Frauenfeld (CH)
- (73) Assignee: **Robert Bosch GmbH**, Stuttgart (DE)
- (**) Term: **14 Years**
- (21) Appl. No.: **29/443,446**
- (22) Filed: **Jan. 17, 2013**
- (30) **Foreign Application Priority Data**
 - Jul. 20, 2012 (EM) 002077180
- (51) **LOC (10) Cl.** **15-09**
- (52) **U.S. Cl.**
USPC **D15/126**
- (58) **Field of Classification Search**
USPC D8/70, 71, 90, 98; D15/124, 126, 138;
 - 30/307, 346, 347, 355, 388, 389, 390;
 - 51/296; 83/478, 589, 663, 665, 676,
 - 83/821, 835, 839, 848, 852, 854, 855;
 - 125/15, 18, 230, 231; 451/41, 47, 56,
 - 451/259, 324, 359, 420, 443, 490, 510, 523,
 - 451/533, 540, 541, 542, 544, 545, 547,
 - 451/548-551

See application file for complete search history.

(56) **References Cited**

U.S. PATENT DOCUMENTS

5,989,112 A *	11/1999	Long et al.	451/527
7,108,584 B2 *	9/2006	Yamamoto	451/29
D664,571 S *	7/2012	Beyer et al.	D15/125
D687,471 S *	8/2013	Fu et al.	D15/126
2008/0081546 A1 *	4/2008	Takinami et al.	451/527

* cited by examiner

Primary Examiner — Patricia Palasik

(74) *Attorney, Agent, or Firm* — Maginot, Moore & Beck

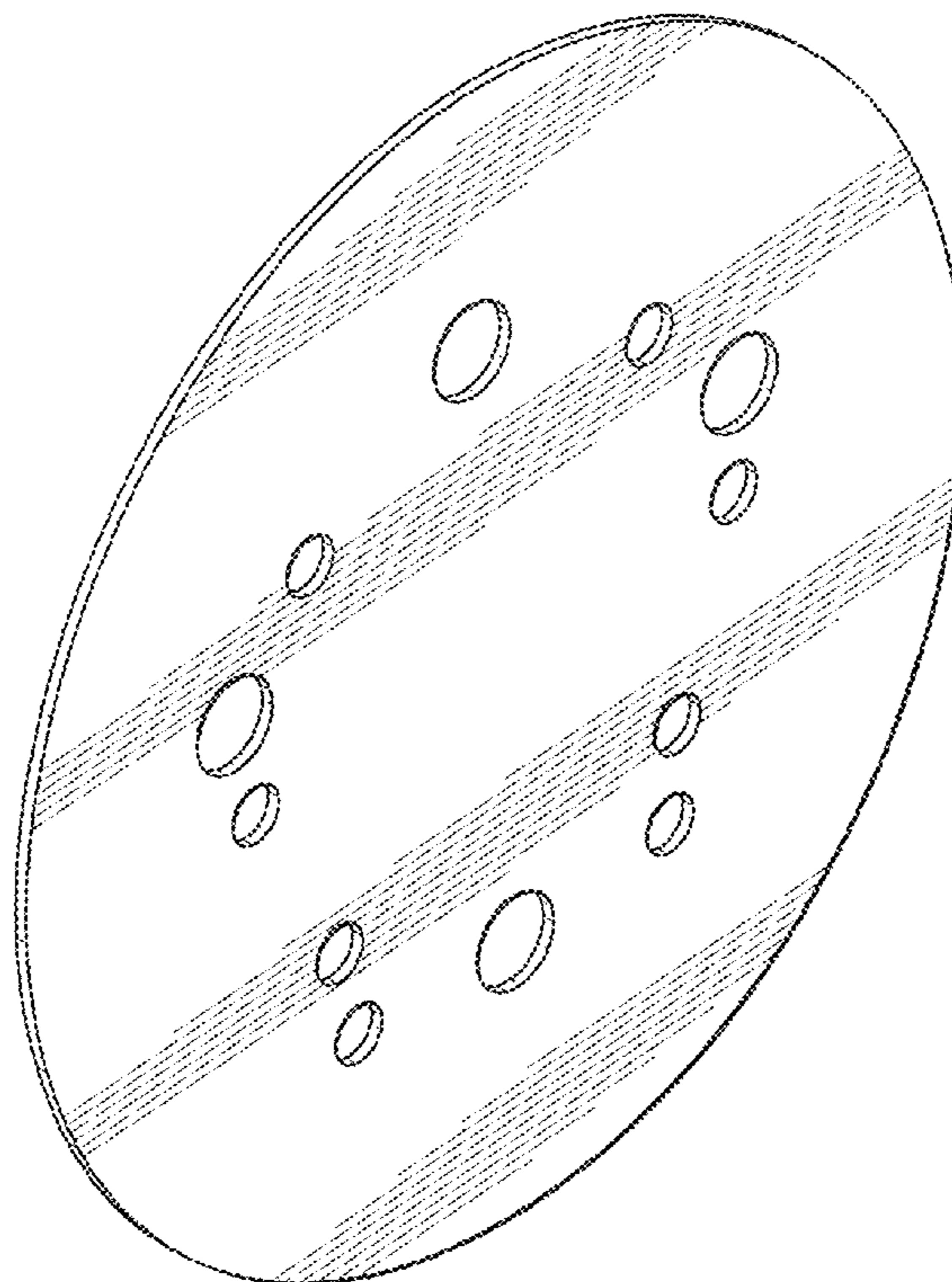
(57) **CLAIM**

The ornamental design for a disc for a sanding machine, as shown and described.

DESCRIPTION

FIG. 1 is a perspective view of a disc for a sanding machine showing our new design;
 FIG. 2 is a front elevational view showing the design for the disc of FIG. 1;
 FIG. 3 is a rear elevational view showing the design for the disc of FIG. 1;
 FIG. 4 is right side elevational view showing the design for the disc of FIG. 1;
 FIG. 5 is a left side elevational view showing the design for the disc of FIG. 1;
 FIG. 6 is a top elevational view showing the design for the disc of FIG. 1; and,
 FIG. 7 is a bottom elevational view showing the design for the disc of FIG. 1.

1 Claim, 7 Drawing Sheets



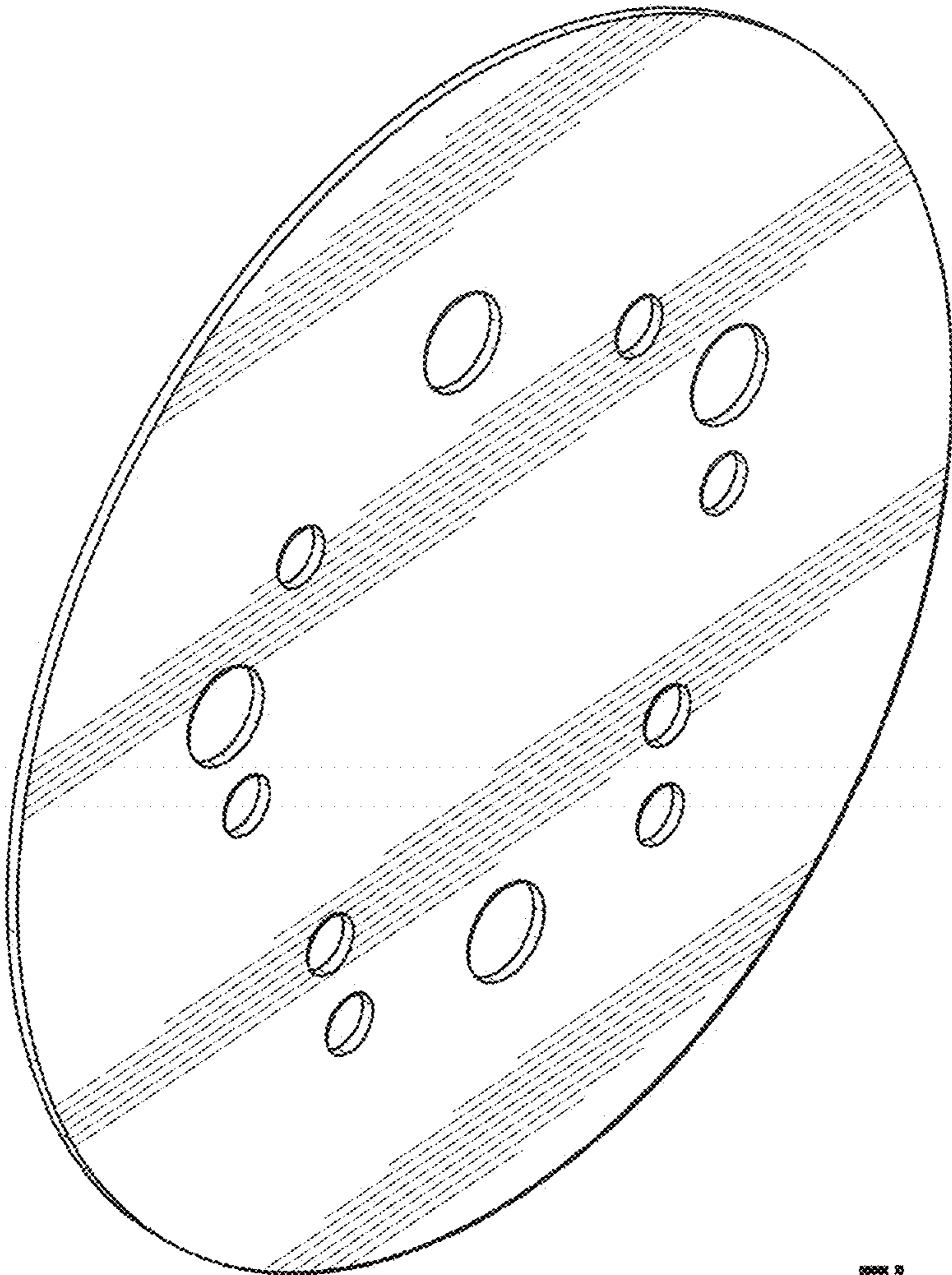


Fig. 1

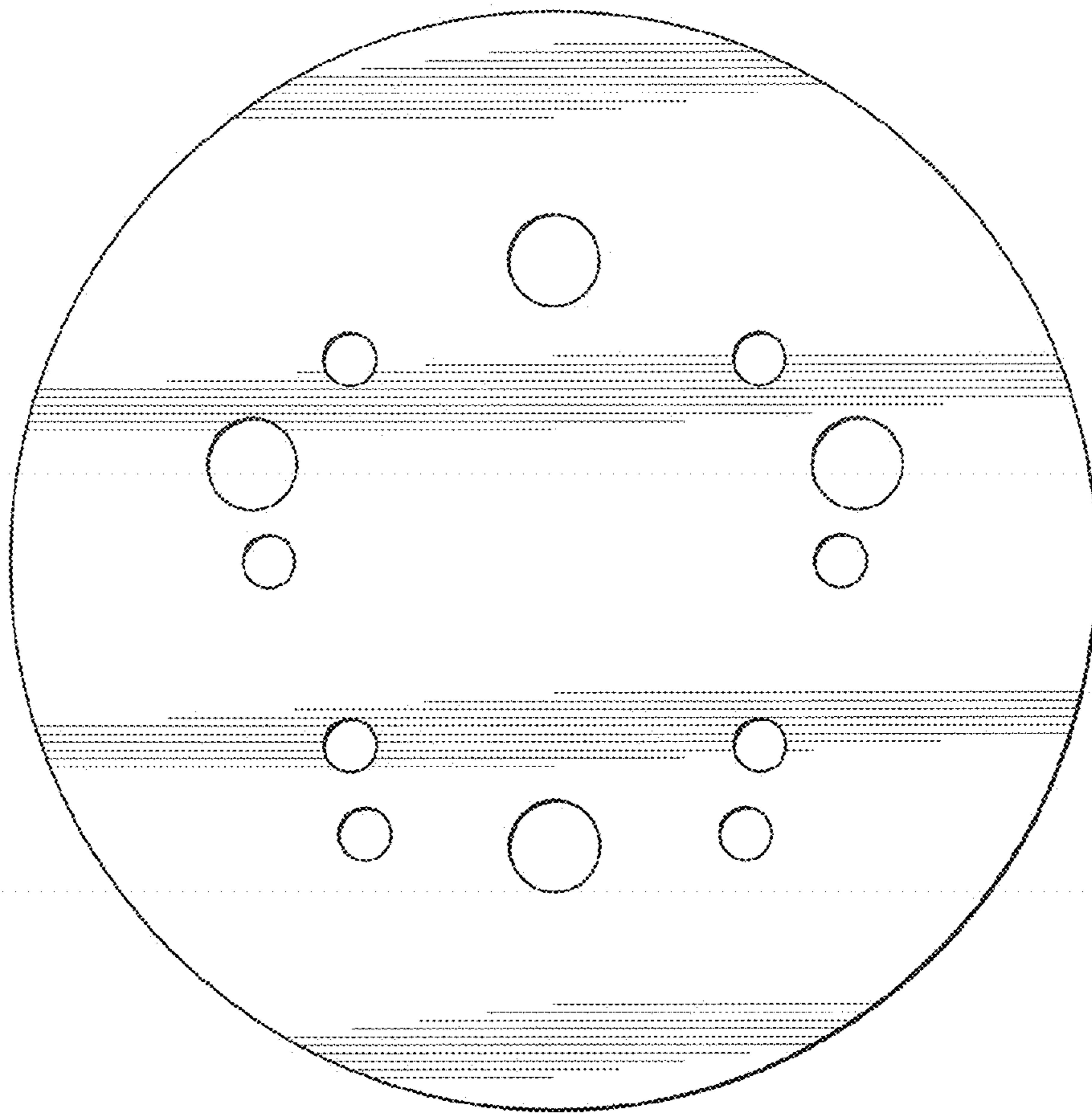


Fig. 2

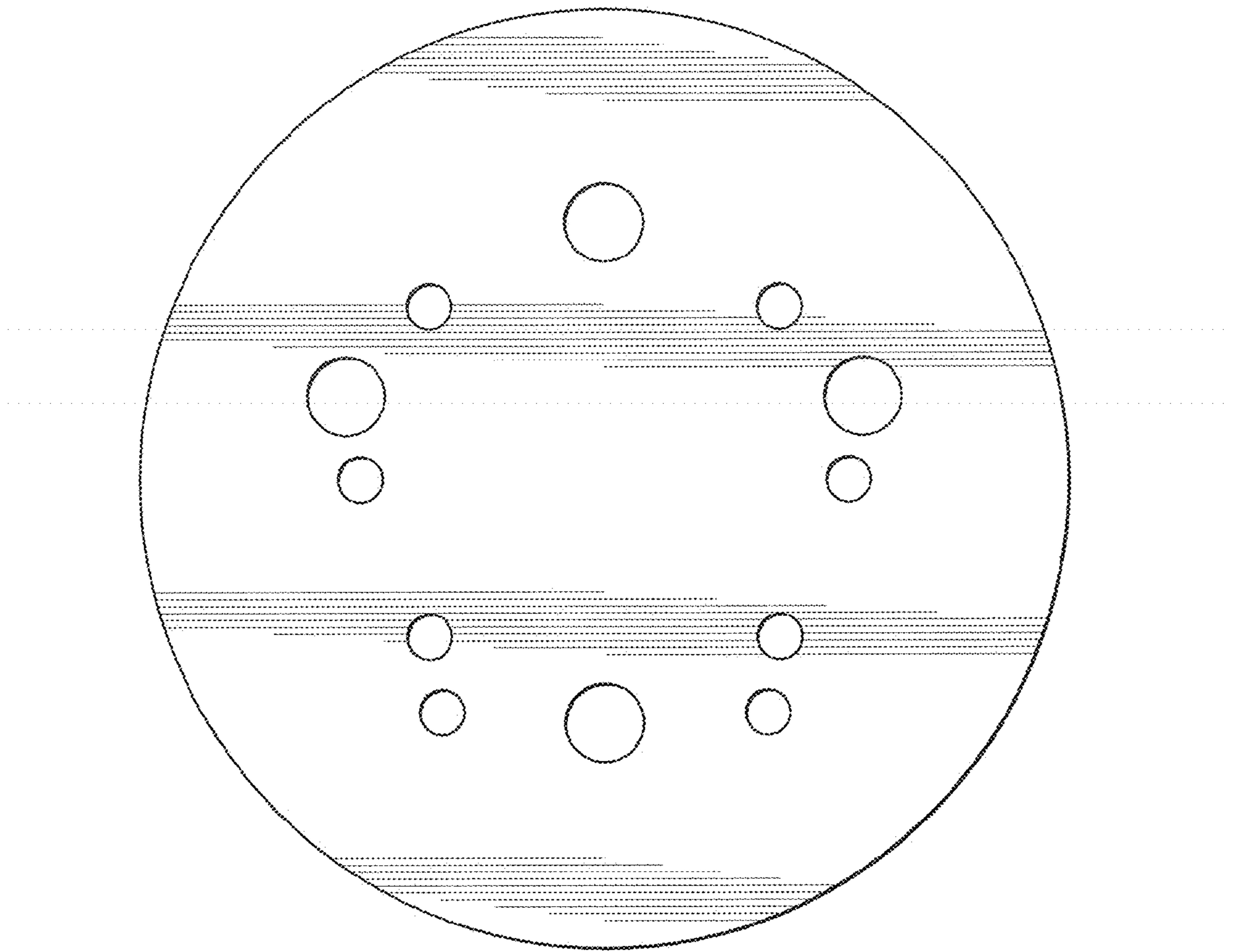


Fig. 3

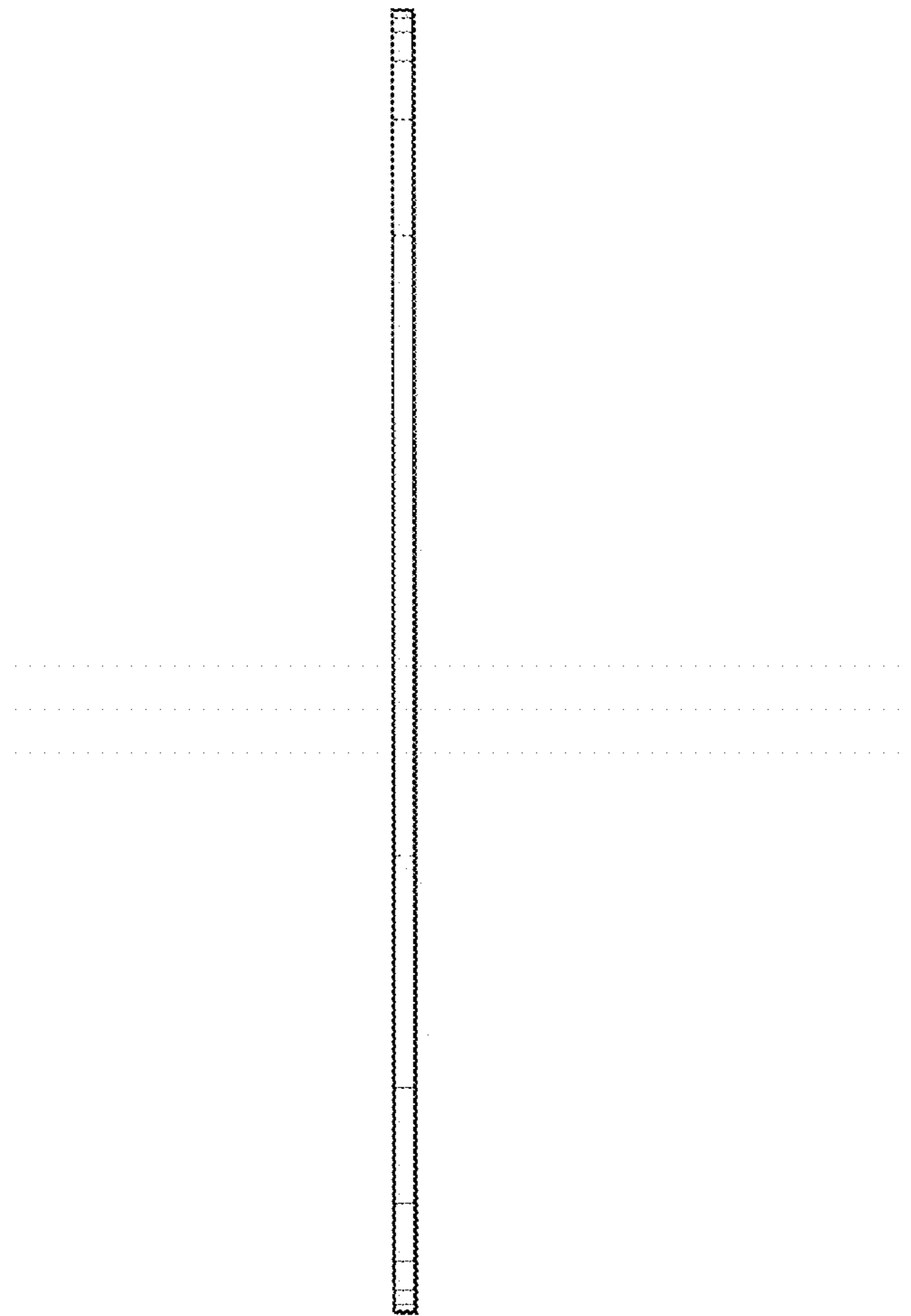


Fig. 4

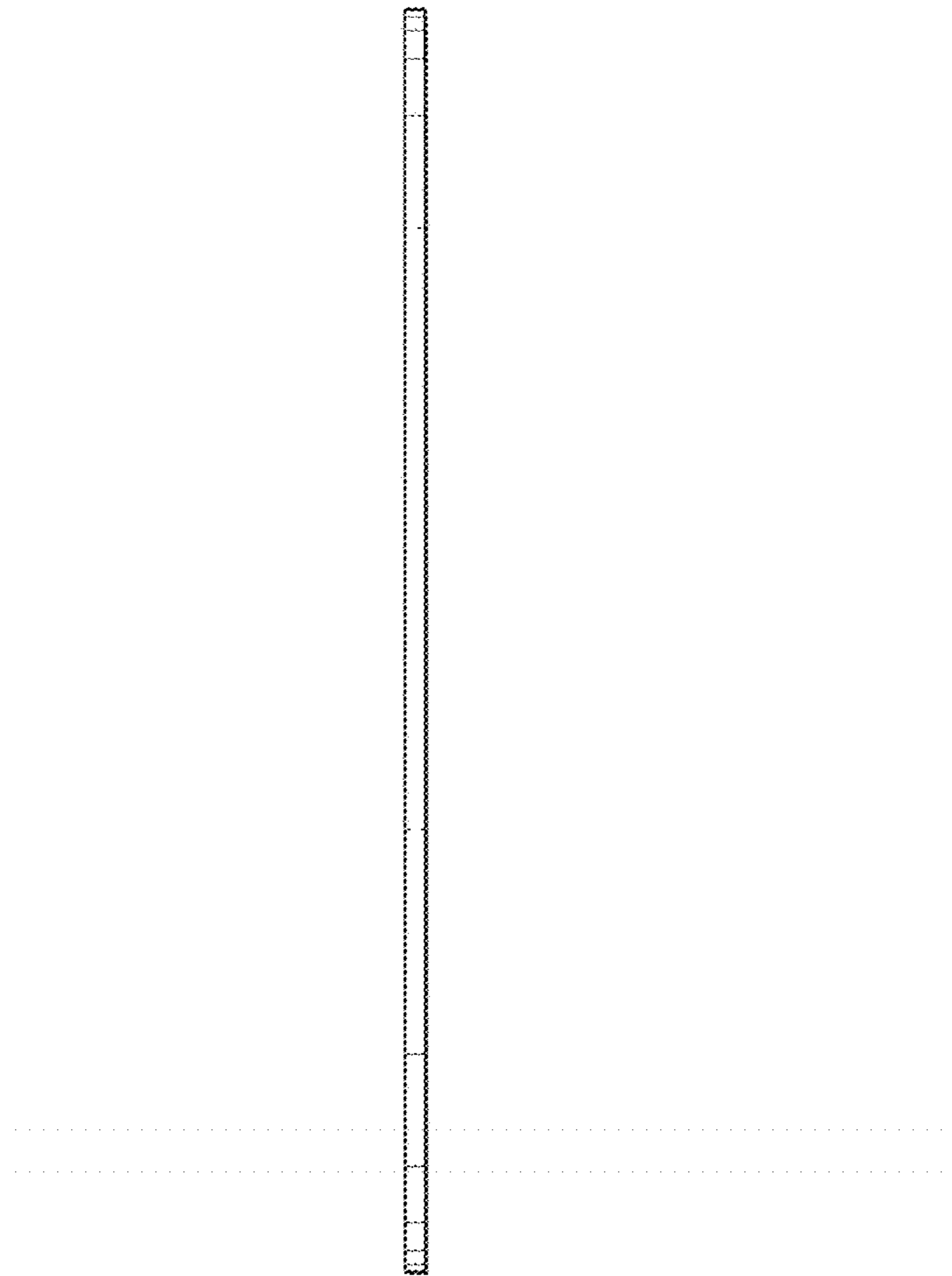


Fig. 5

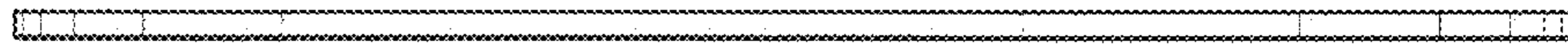


Fig. 6

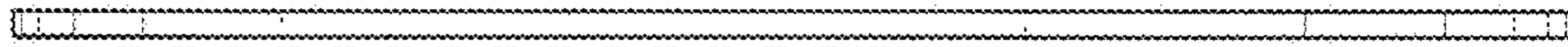


Fig. 7