

US00D701248S

(12) **United States Design Patent**  
**Benedetto et al.**

(10) **Patent No.:** **US D701,248 S**  
(45) **Date of Patent:** **\*\* Mar. 18, 2014**

(54) **APPARATUS FOR PRODUCING  
DISINFECTANT**

(75) Inventors: **Mariachiara Benedetto**, Milan (IT);  
**Elena Carminati**, Milan (IT)

(73) Assignee: **Industrie de Nora S.p.A.**, Milan (MI)  
(IT)

(\*\*) Term: **14 Years**

(21) Appl. No.: **29/418,072**

(22) Filed: **Apr. 12, 2012**

(30) **Foreign Application Priority Data**

Oct. 14, 2011 (IT) ..... MI2011O0142

(51) **LOC (10) Cl.** ..... **15-09**

(52) **U.S. Cl.**  
USPC ..... **D15/122**

(58) **Field of Classification Search**  
USPC ..... D15/122, 127, 130, 131; 74/608;  
82/117, 118, 133, 134, 138, 149, 152;  
198/860.3; 210/400; 714/48  
See application file for complete search history.

(56) **References Cited**

**U.S. PATENT DOCUMENTS**

5,127,291 A \* 7/1992 Lothammer ..... 82/120  
D331,066 S \* 11/1992 Englert ..... D15/122

D368,917 S \* 4/1996 Isshiki et al. .... D15/130  
D445,807 S \* 7/2001 Baulk ..... D15/127  
D496,947 S \* 10/2004 Baulk ..... D15/130  
D604,344 S \* 11/2009 Weingart et al. .... D15/127  
D625,744 S \* 10/2010 Wang ..... D15/127  
D638,449 S \* 5/2011 Schindler et al. .... D15/122  
D654,099 S \* 2/2012 Schindler et al. .... D15/122  
D667,032 S \* 9/2012 Egami ..... D15/122  
D681,699 S \* 5/2013 Lin ..... D15/122  
D686,261 S \* 7/2013 Sunter et al. .... D15/145  
D690,331 S \* 9/2013 Kitamura ..... D15/122

\* cited by examiner

*Primary Examiner* — Patricia Palasik

(74) *Attorney, Agent, or Firm* — Nixon & Vanderhye, PC

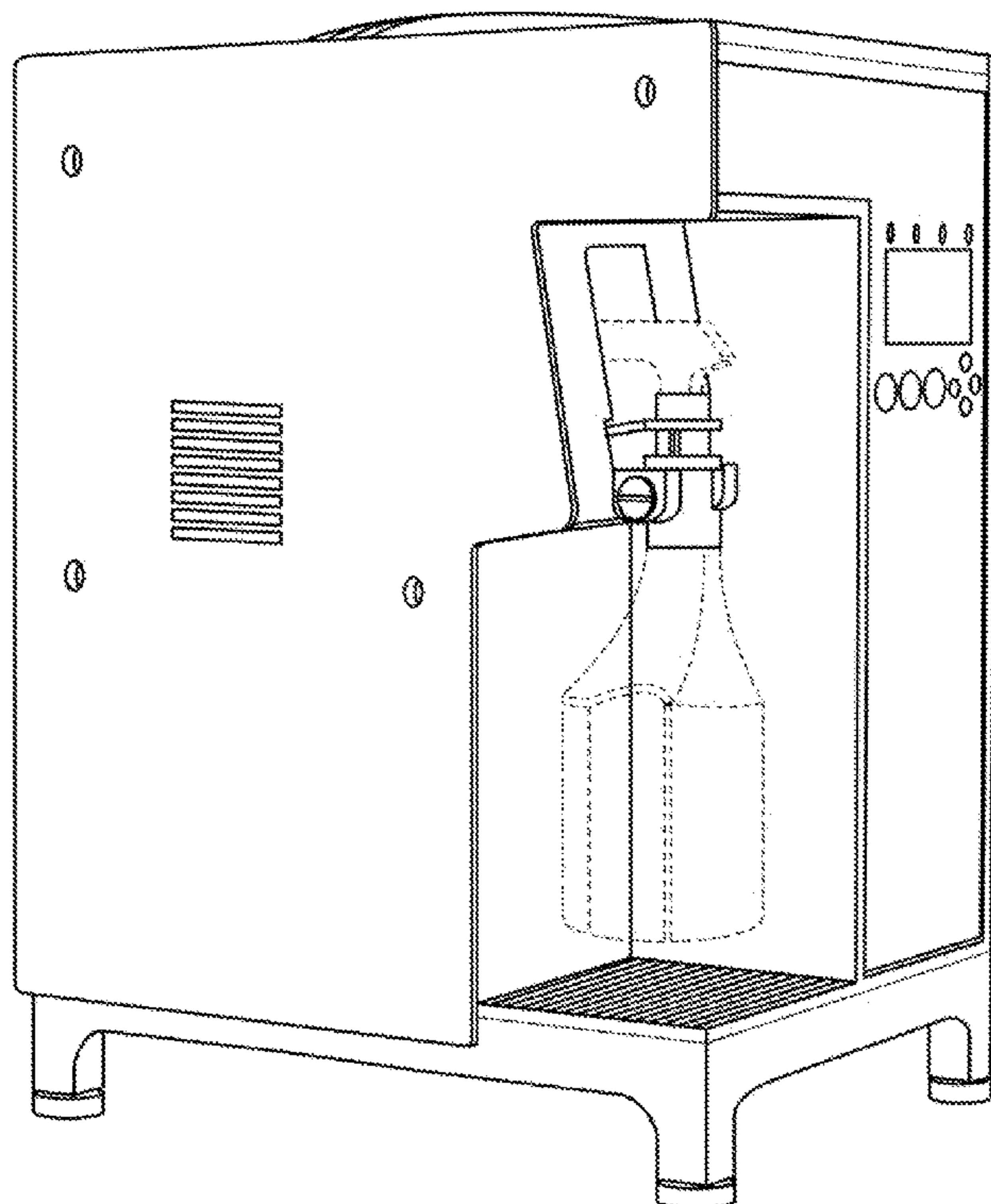
(57) **CLAIM**

The ornamental design for apparatus for producing disinfectant, as shown and described.

**DESCRIPTION**

FIG. 1 is a perspective view of the design;  
FIG. 2 is a front elevational view thereof;  
FIG. 3 is a rear elevational view thereof;  
FIG. 4 is an elevational view of one side thereof;  
FIG. 5 is an elevational view of the other side thereof;  
FIG. 6 is a top plan view thereof; and,  
FIG. 7 is a bottom plan view thereof.  
The broken lines in the drawings depict unclaimed environmental subject matter.

**1 Claim, 7 Drawing Sheets**



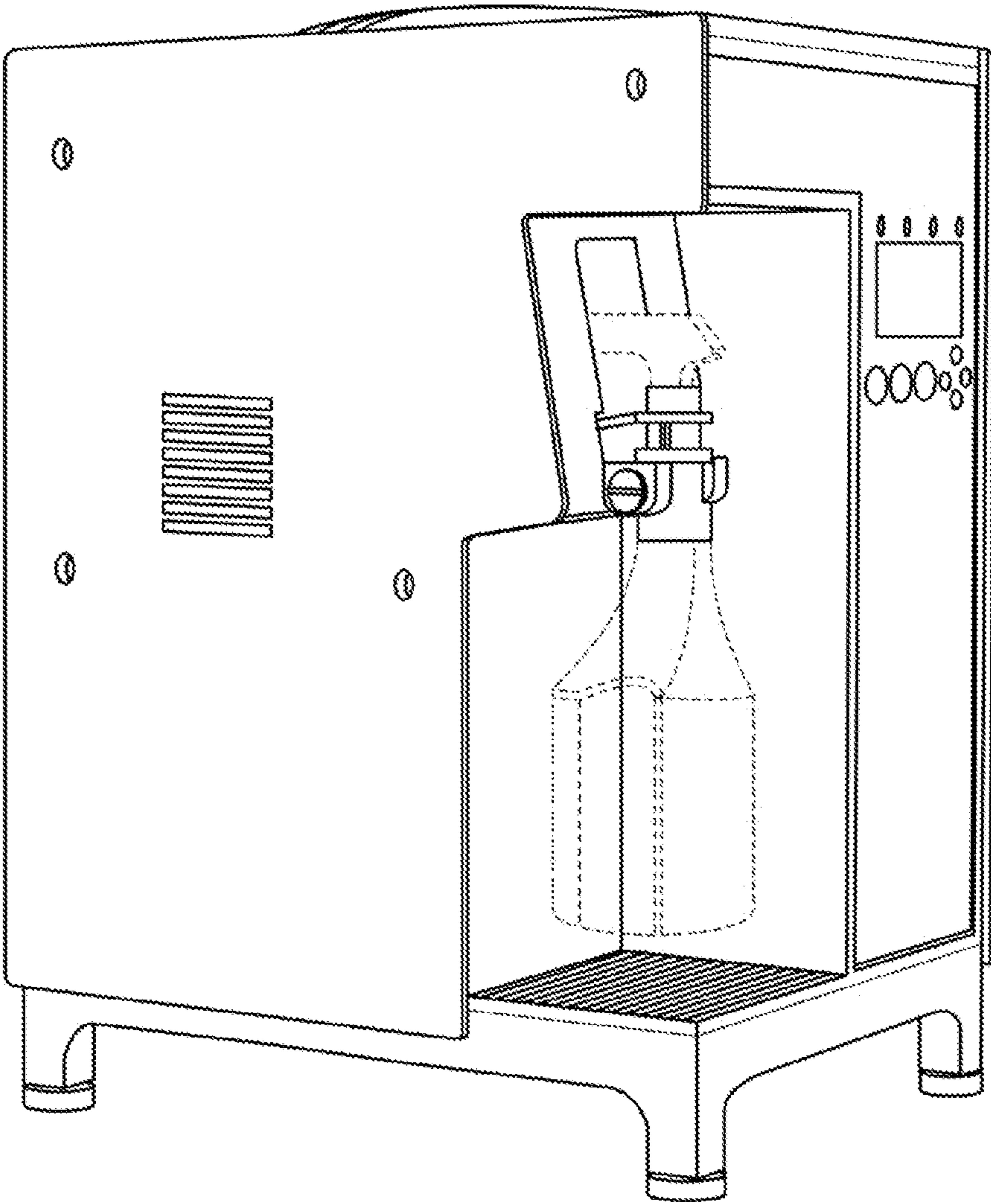


FIG. 1

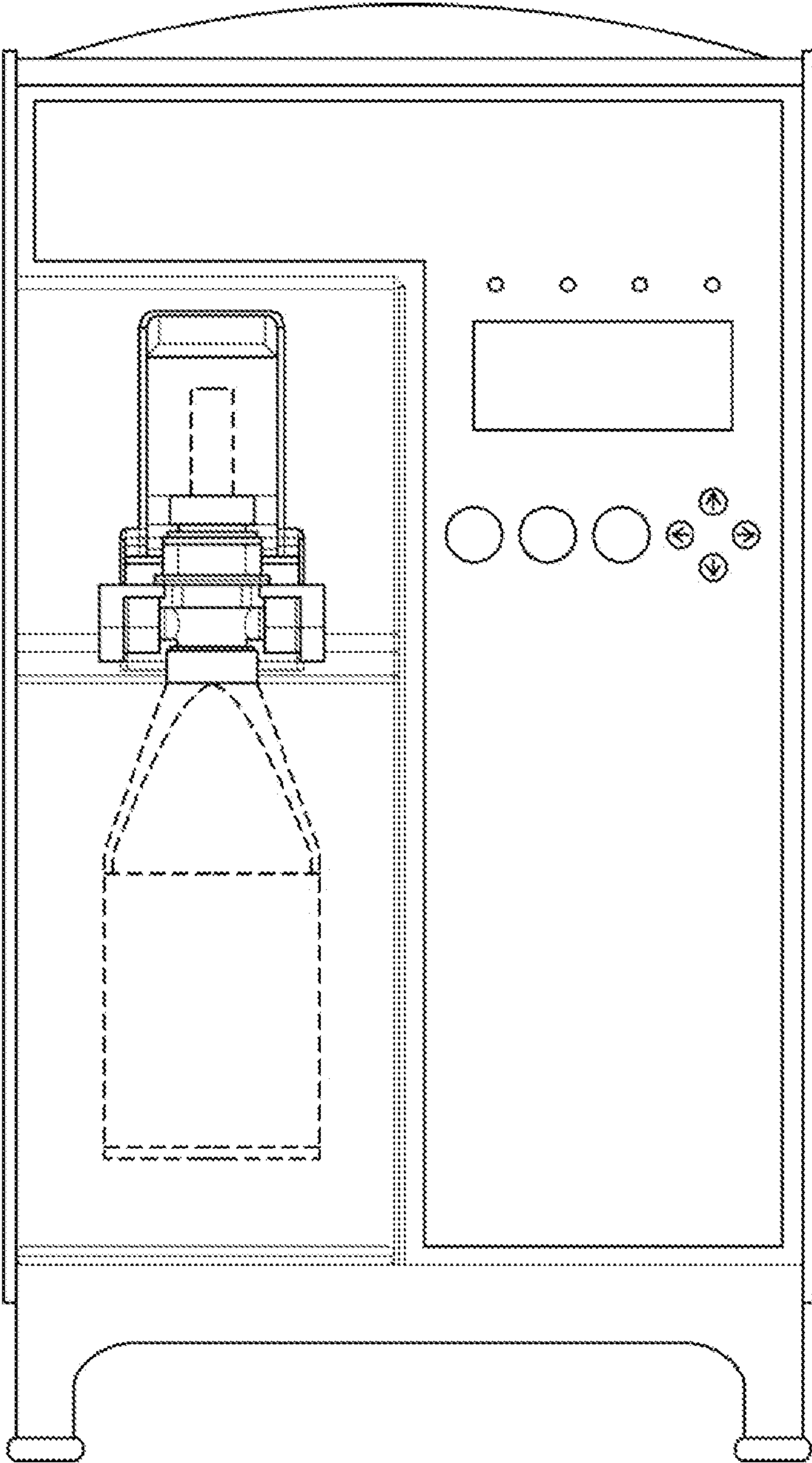


FIG. 2

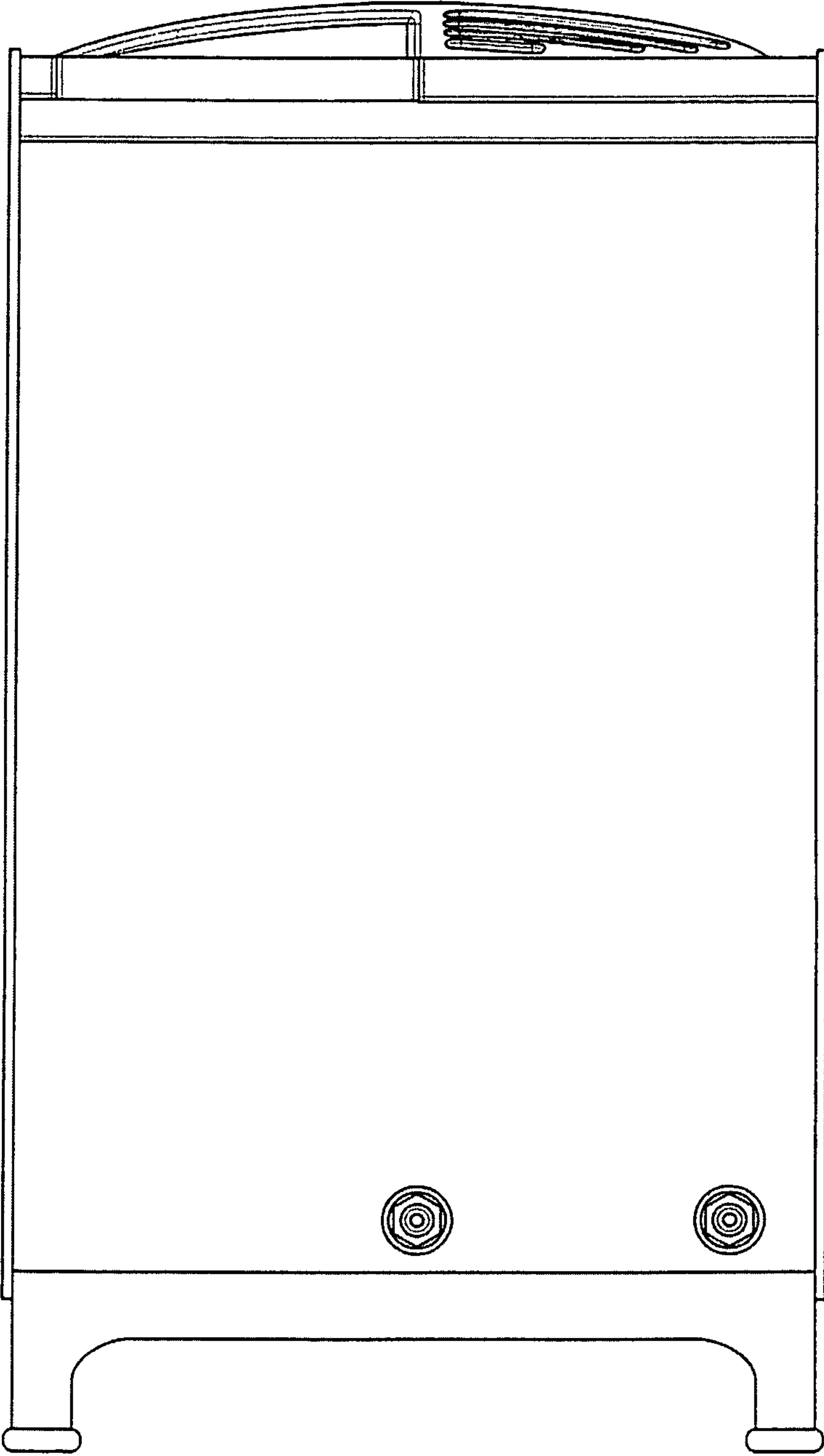


FIG. 3

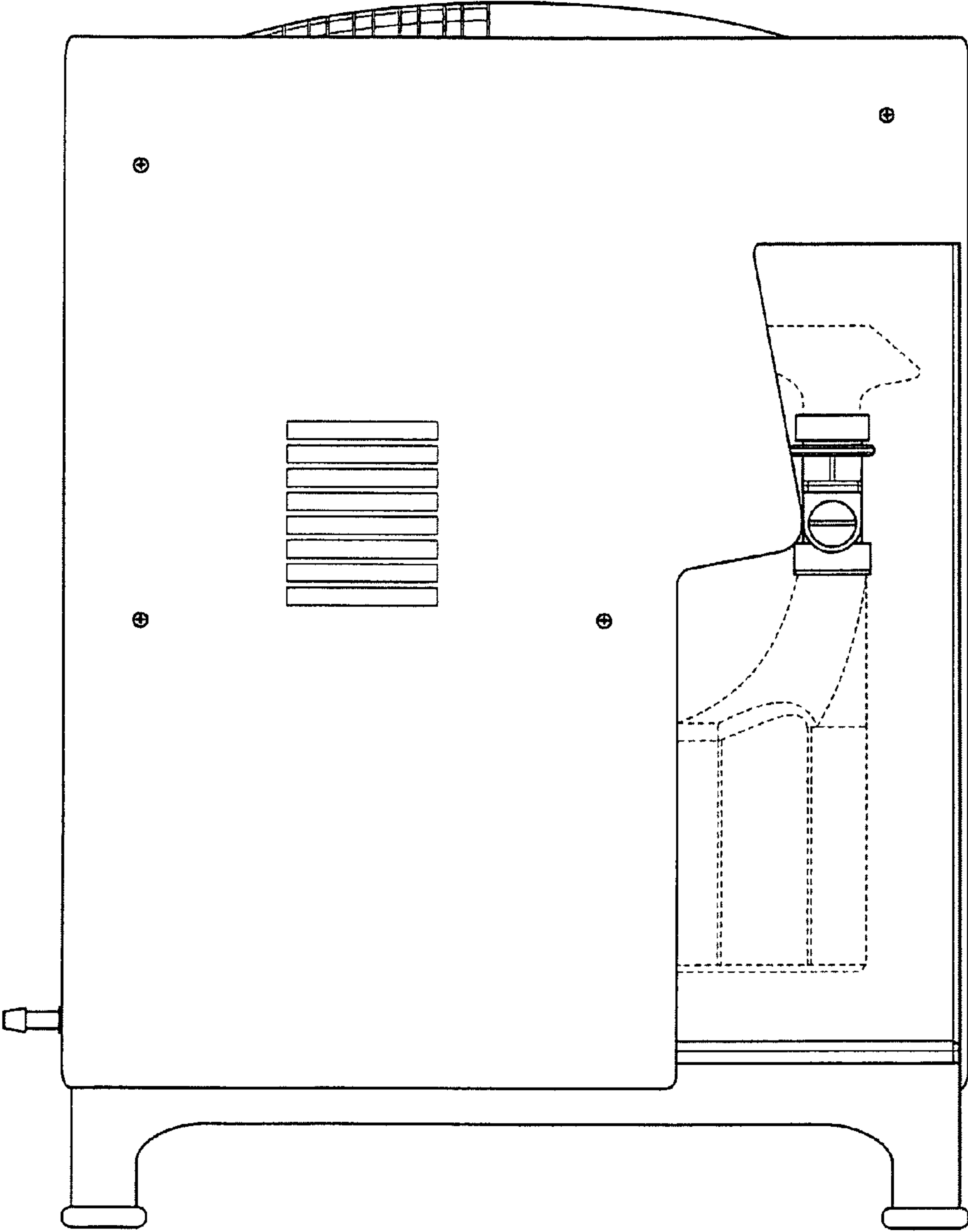


FIG. 4

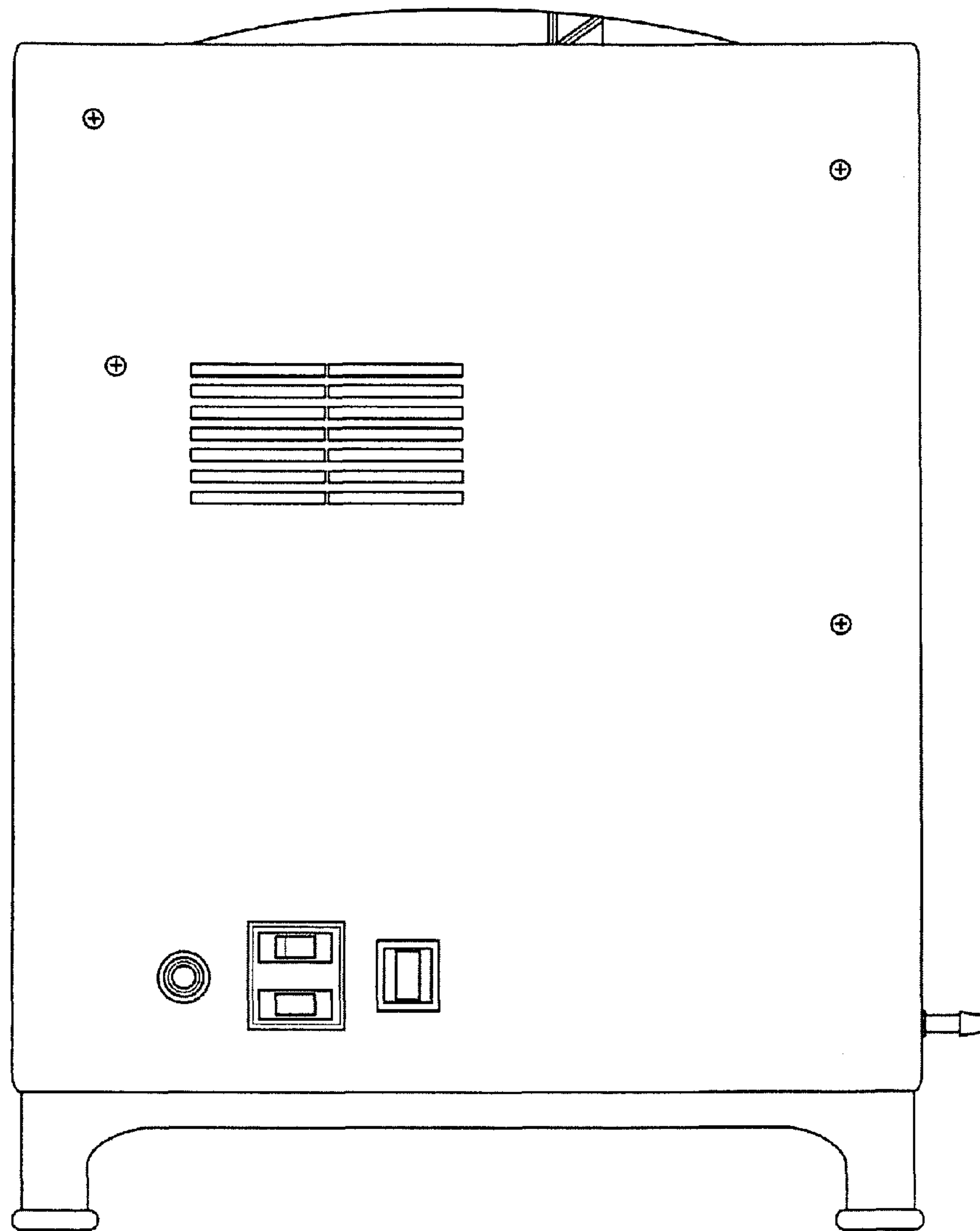


FIG. 5



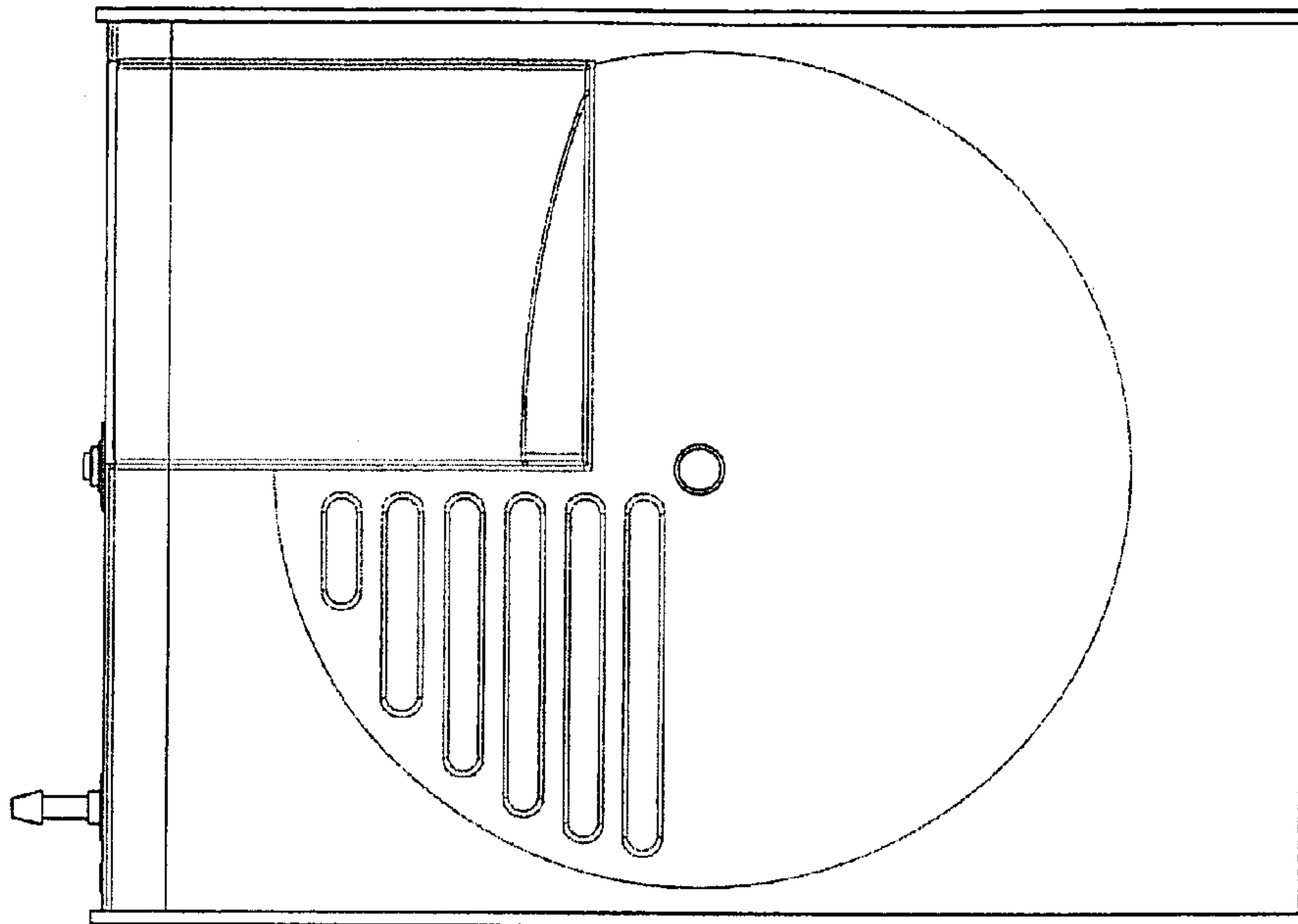


FIG. 6

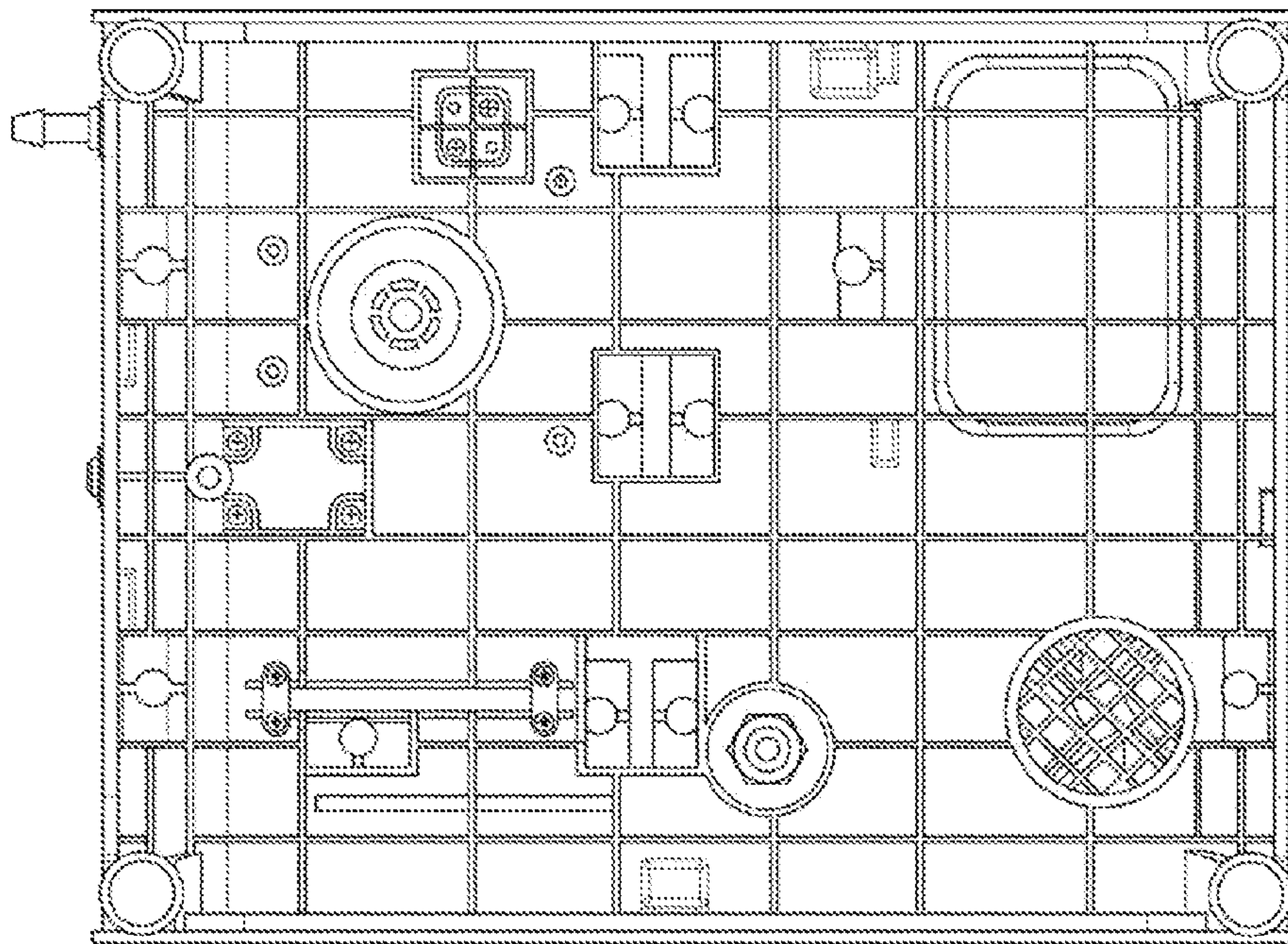


FIG. 7