



US00D701247S

(12) **United States Design Patent**  
**Roberson**

(10) **Patent No.:** **US D701,247 S**  
(45) **Date of Patent:** **\*\* Mar. 18, 2014**

- (54) **REFRIGERATOR SHELF SUPPORT**
- (71) Applicant: **BSH Home Appliances Corporation**,  
Irvine, CA (US)
- (72) Inventor: **Andrew Roberson**, Long Beach, CA  
(US)
- (73) Assignee: **BSH Home Appliances Corporation**,  
Irvine, CA (US)
- (\*\*) Term: **14 Years**
- (21) Appl. No.: **29/460,928**
- (22) Filed: **Jul. 17, 2013**

4,923,260	A *	5/1990	Poulsen	.....	312/408
5,226,707	A *	7/1993	Han et al.	.....	312/408
5,340,209	A *	8/1994	Kolbe et al.	.....	312/408
5,403,083	A *	4/1995	Dasher et al.	.....	312/408
5,403,084	A *	4/1995	Kane et al.	.....	312/408
5,406,894	A *	4/1995	Herrmann et al.	.....	108/108
5,429,433	A *	7/1995	Bird et al.	.....	312/408
5,454,638	A *	10/1995	Bird et al.	.....	312/408
5,486,046	A *	1/1996	Jernstrom et al.	.....	312/408
5,540,493	A *	7/1996	Kane et al.	.....	312/408
5,909,937	A *	6/1999	Jenkins et al.	.....	312/405.1
D518,832	S *	4/2006	Park et al.	.....	D15/85
D554,670	S *	11/2007	Jorgensen	.....	D15/81
D620,505	S *	7/2010	Baacke et al.	.....	D15/81
D673,983	S *	1/2013	Roberson	.....	D15/89

\* cited by examiner

**Related U.S. Application Data**

- (62) Division of application No. 29/433,967, filed on Oct. 8, 2012, now Pat. No. Des. 692,931, which is a division of application No. 29/409,341, filed on Dec. 22, 2011, now Pat. No. Des. 673,983.
- (51) **LOC (10) Cl.** ..... **15-07**
- (52) **U.S. Cl.**  
USPC ..... **D15/89**
- (58) **Field of Classification Search**  
USPC ..... D15/79, 81, 83-89; 312/400-408, 116,  
312/236; 108/107-108, 152; 211/193, 187,  
211/153, 134, 207; D25/102, 119, 124;  
D8/380-381  
See application file for complete search history.

**References Cited**

**U.S. PATENT DOCUMENTS**

3,984,163	A *	10/1976	Boorman et al.	.....	312/408
4,528,825	A *	7/1985	Khan	.....	62/441
4,735,470	A *	4/1988	Falk	.....	312/246

*Primary Examiner* — Mitchell Siegel

(74) *Attorney, Agent, or Firm* — James E. Howard; Andre Pallapies

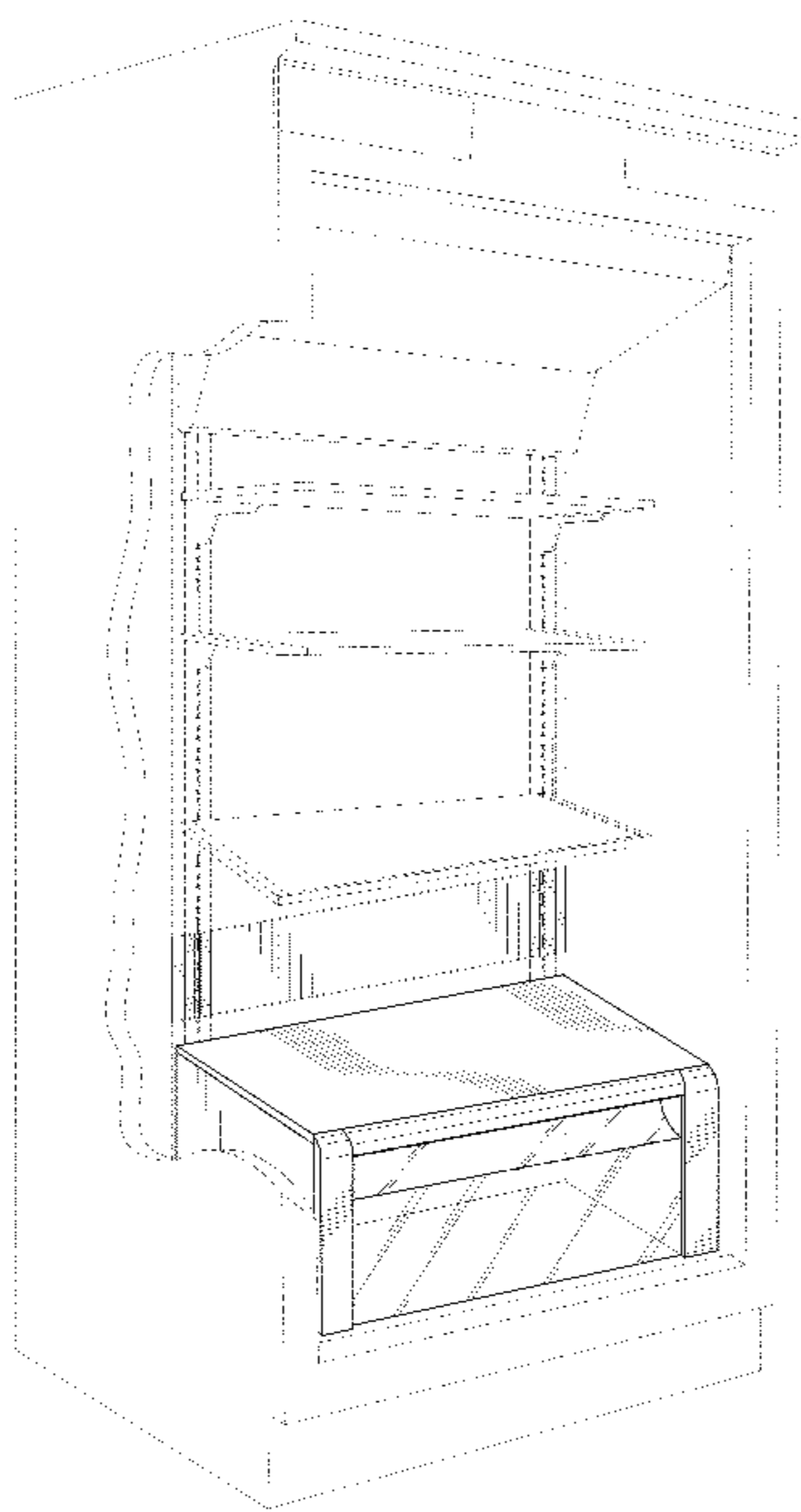
(57) **CLAIM**

The ornamental design for a refrigerator shelf support, as shown and described.

**DESCRIPTION**

FIG. 1 is a front view of a refrigerator shelf support according my new ornamental design; and,  
 FIG. 2 is a front perspective view thereof, with part of the unclaimed left refrigerator side wall being cut away for clarity.  
 The broken lines of the refrigerator shelf support and refrigerator, etc., show surrounding structure or environment and do not form part of the claimed design.  
 The dotted lines represent the boundary between claimed and unclaimed subject matter and do not form a part of the claimed design.

**1 Claim, 2 Drawing Sheets**



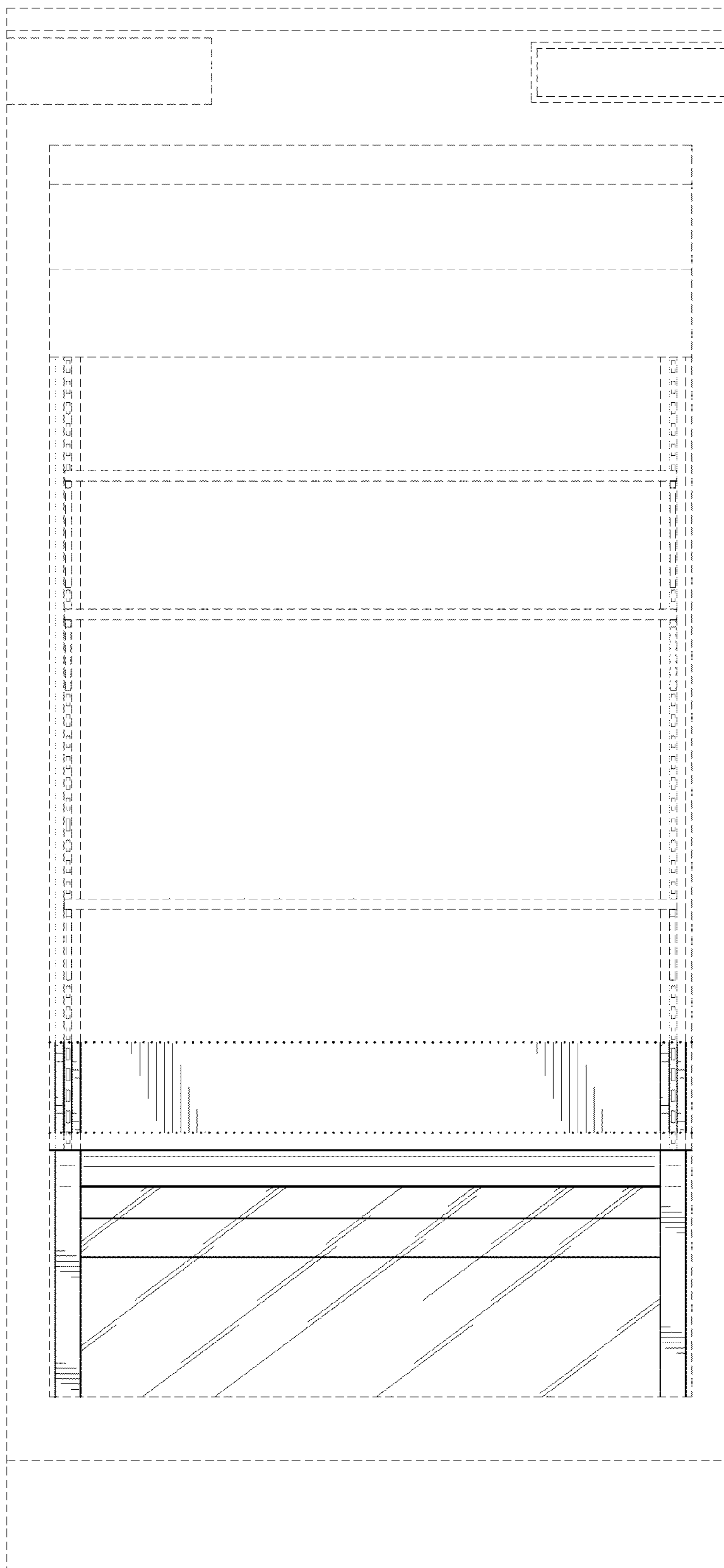


Fig. 1

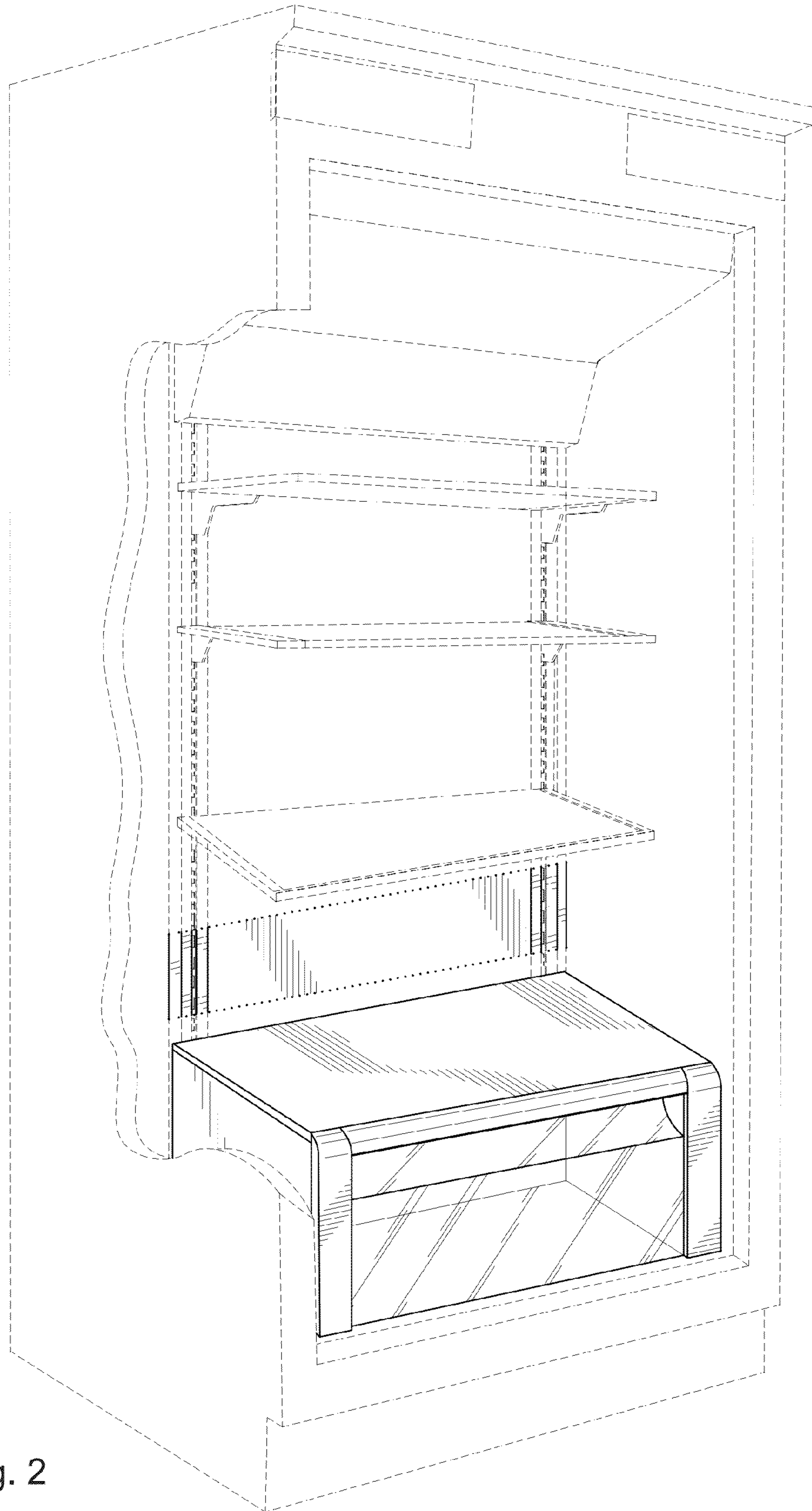


Fig. 2