



US00D701246S

(12) **United States Design Patent**  
**Cook**

(10) **Patent No.:** **US D701,246 S**  
(45) **Date of Patent:** **\*\* Mar. 18, 2014**

(54) **LOW PROFILE PUMP**  
(71) Applicant: **Flow Control LLC.**, Beverly, MA (US)  
(72) Inventor: **Gregory Cook**, Holliston, MA (US)  
(73) Assignee: **Flow Control LLC.**, Beverly, MA (US)  
(\*\*) Term: **14 Years**  
(21) Appl. No.: **29/459,544**

D517,570 S 3/2006 Stiles, Jr. et al.  
7,156,614 B2 1/2007 Racer et al.  
7,284,968 B2 10/2007 Tsai  
D573,607 S 7/2008 Bulter  
7,407,371 B2 8/2008 Leone et al.  
D576,640 S 9/2008 Sinico et al.  
7,442,014 B1 10/2008 Mellinger et al.  
D606,562 S 12/2009 Stiles, Jr. et al.  
D609,595 S 2/2010 Soderstrom  
7,828,531 B2 11/2010 Heng et al.  
D629,423 S \* 12/2010 Varini ..... D15/7  
8,002,522 B2 8/2011 Ihle et al.

(Continued)

(22) Filed: **Jul. 1, 2013**  
(51) **LOC (10) Cl.** ..... **15-02**  
(52) **U.S. Cl.**  
USPC ..... **D15/7**  
(58) **Field of Classification Search**  
USPC ..... D15/7-9; D23/231, 232, 225; 417/60,  
417/235, 265, 321, 355, 358, 363, 359,  
417/410.1, 415-416, 405, 900, 43, 554;  
60/408, 412; 184/26-37; 415/140-147;  
123/495, 509; 166/105.1, 105.2, 311;  
604/73; D24/109  
See application file for complete search history.

**FOREIGN PATENT DOCUMENTS**

JP 57116194 7/1982  
WO 9641082 12/1996

**OTHER PUBLICATIONS**

JP57116194 1 page English Language Abstract.

*Primary Examiner* — Ralf Seifert

(57) **CLAIM**  
I claim the ornamental design of a low profile pump, as shown and described herein.

(56) **References Cited**

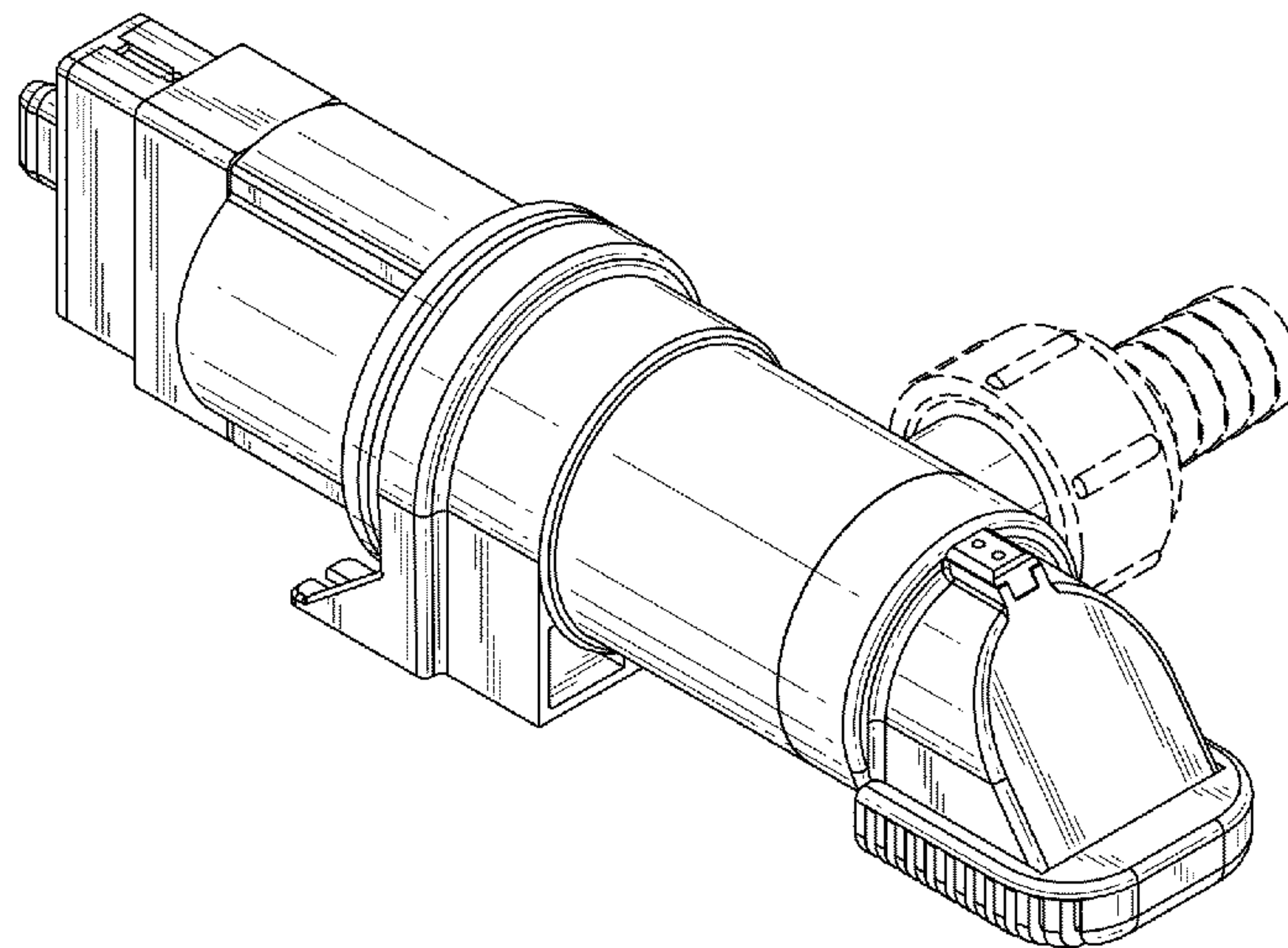
**DESCRIPTION**

**U.S. PATENT DOCUMENTS**

D162,502 S \* 3/1951 Zimmer ..... D15/7  
D195,748 S \* 7/1963 Lorenz ..... D15/7  
D264,085 S \* 4/1982 Clay ..... D15/7  
D292,978 S \* 12/1987 Hansen et al. .... D15/7  
D303,532 S \* 9/1989 Gresens ..... D15/7  
4,932,848 A 6/1990 Christensen  
5,141,390 A 8/1992 Haentjens  
5,193,977 A 3/1993 Dame  
5,288,215 A 2/1994 Chancellor et al.  
5,746,582 A 5/1998 Patterson  
5,785,013 A 7/1998 Sinn et al.  
6,102,657 A 8/2000 Chalberg et al.  
6,167,965 B1 1/2001 Bearden et al.  
6,174,146 B1 1/2001 Lacy et al.  
6,175,173 B1 1/2001 Stephan et al.

FIG. 1 is a top perspective view of a low profile pump showing my new design;  
FIG. 2 is a bottom perspective view;  
FIG. 3 is a side view;  
FIG. 4 is an opposite side view of FIG. 3;  
FIG. 5 is a top view;  
FIG. 6 is a bottom view;  
FIG. 7 is a front view; and,  
FIG. 8 is a back view.  
The broken line showing is for the purpose of illustrating environmental matter and forms no part of the claimed design.

**1 Claim, 3 Drawing Sheets**



(56)

**References Cited**

U.S. PATENT DOCUMENTS

8,021,133 B2 9/2011 Binder et al.  
D657,799 S 4/2012 Jung  
8,226,385 B2 7/2012 Wendel et al.  
8,282,367 B2 10/2012 Ihle et al.  
8,348,606 B2 1/2013 Gopalan et al.  
8,371,831 B2 2/2013 Marioni  
8,425,205 B2 4/2013 Li et al.  
8,435,016 B2 5/2013 Telakowski et al.

D684,197 S \* 6/2013 Kienzle et al. .... D15/9  
2006/0228238 A1 10/2006 Andrews  
2007/0086906 A1 4/2007 Horley et al.  
2009/0175737 A1 7/2009 Intelisano  
2010/0111687 A1 5/2010 Colic  
2010/0119391 A1 5/2010 Colic  
2011/0182718 A1 7/2011 Rasmussen et al.  
2011/0182725 A1 7/2011 Rasmussen et al.  
2013/0089437 A1 4/2013 Kennedy  
2013/0121811 A1 5/2013 Cuppetelli

\* cited by examiner

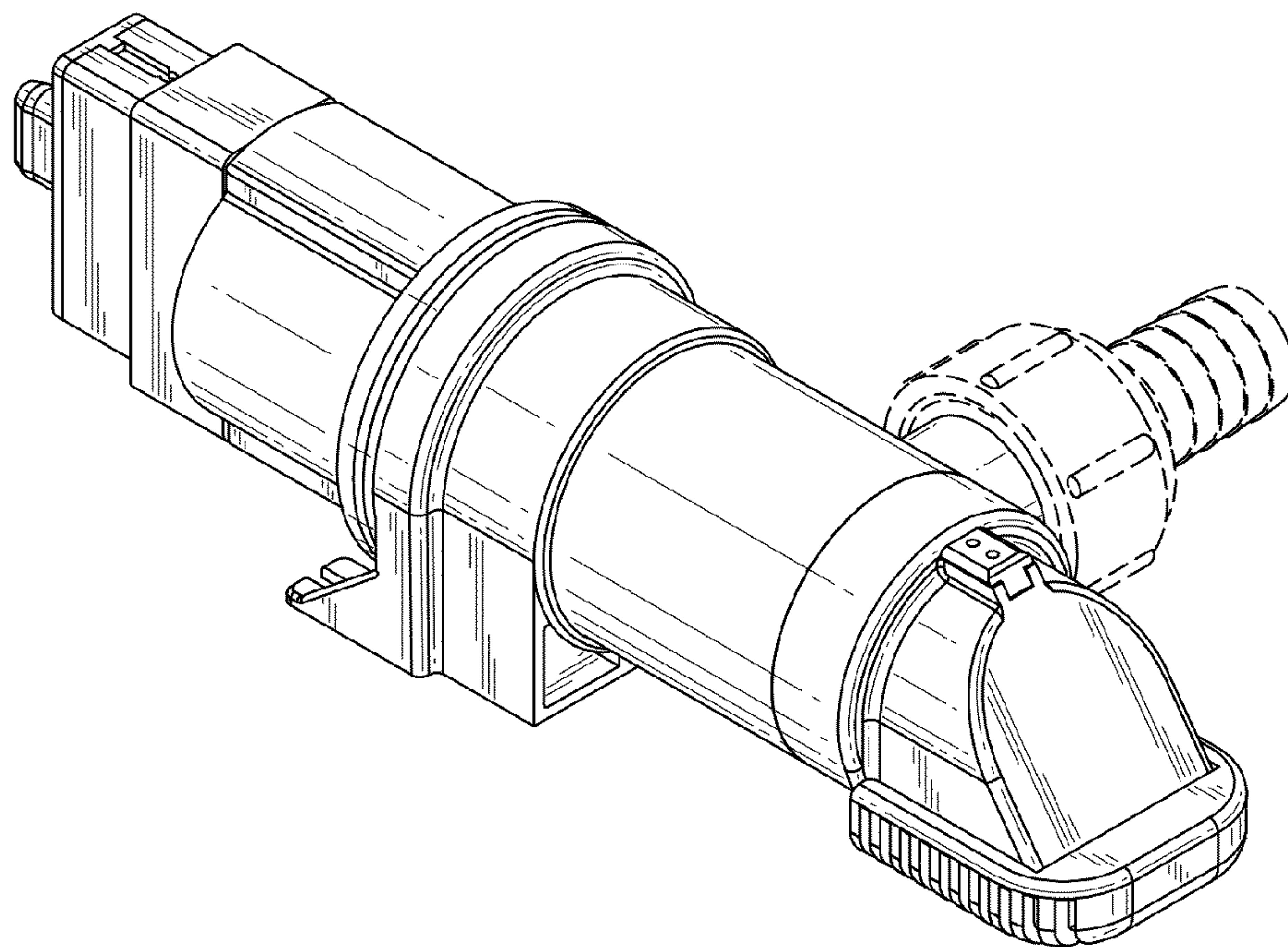


FIG. 1

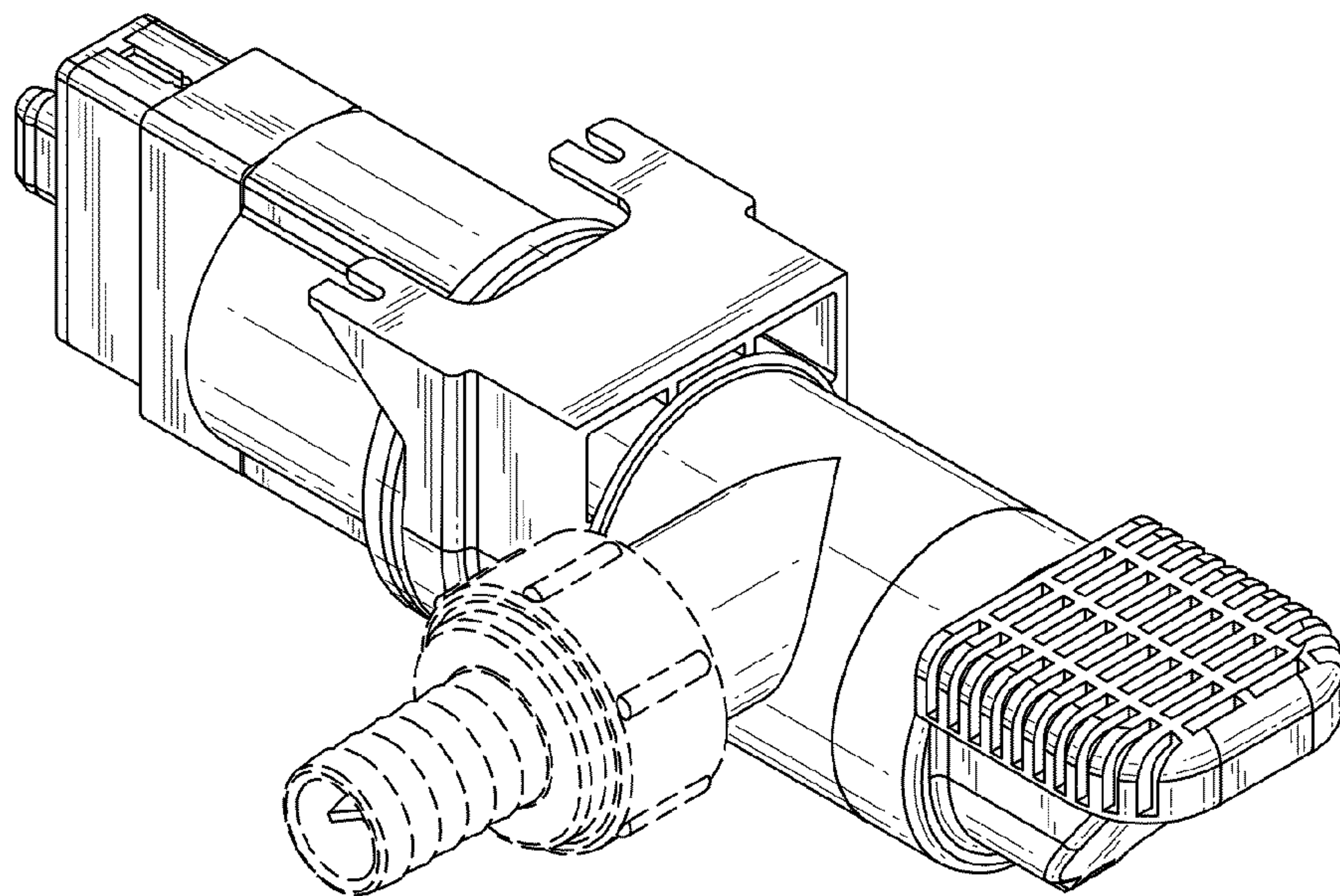


FIG. 2



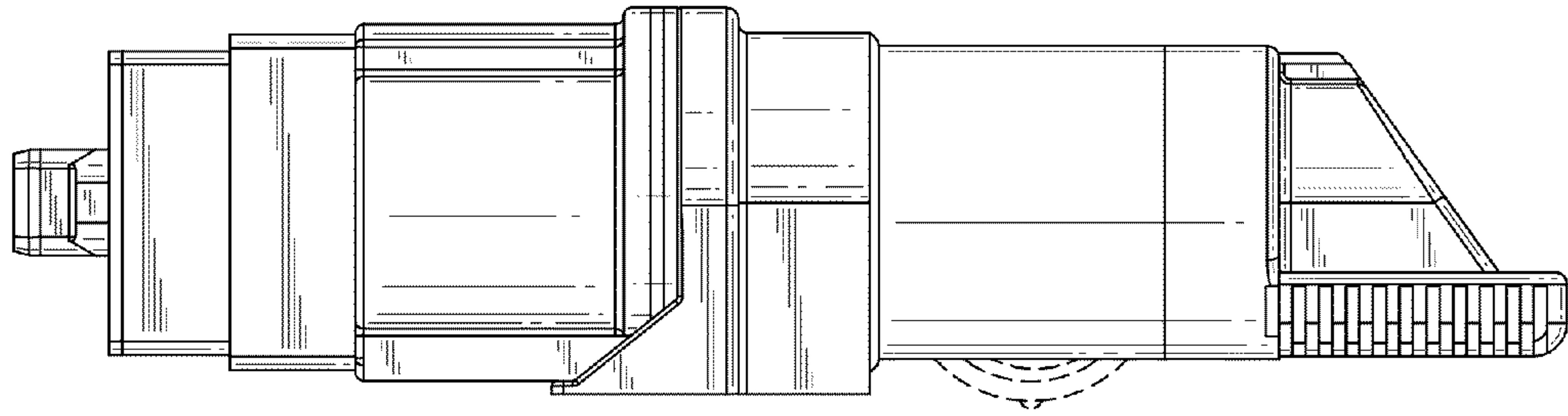


FIG. 3

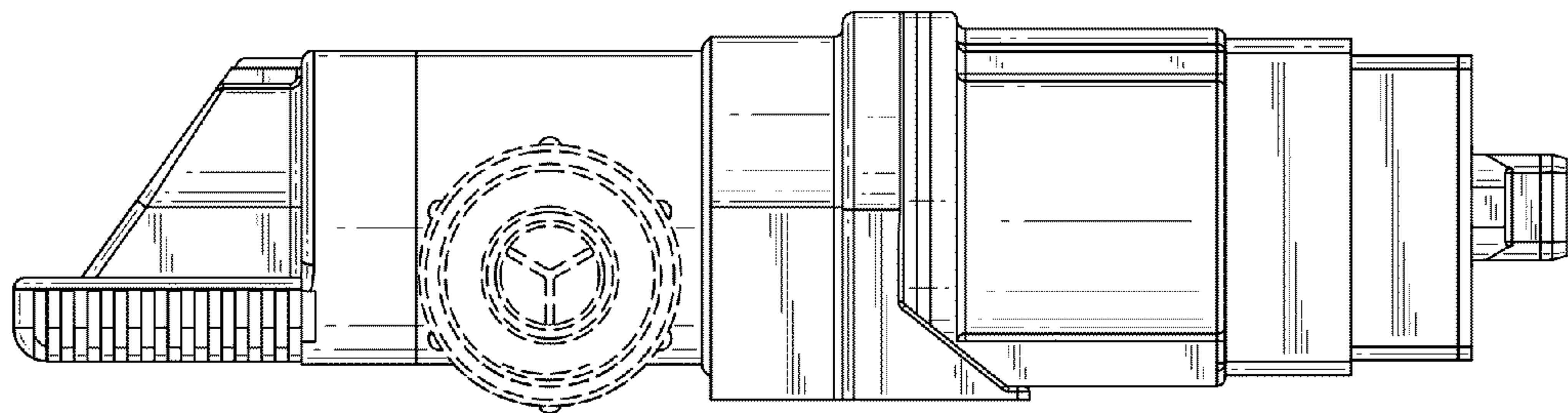


FIG. 4

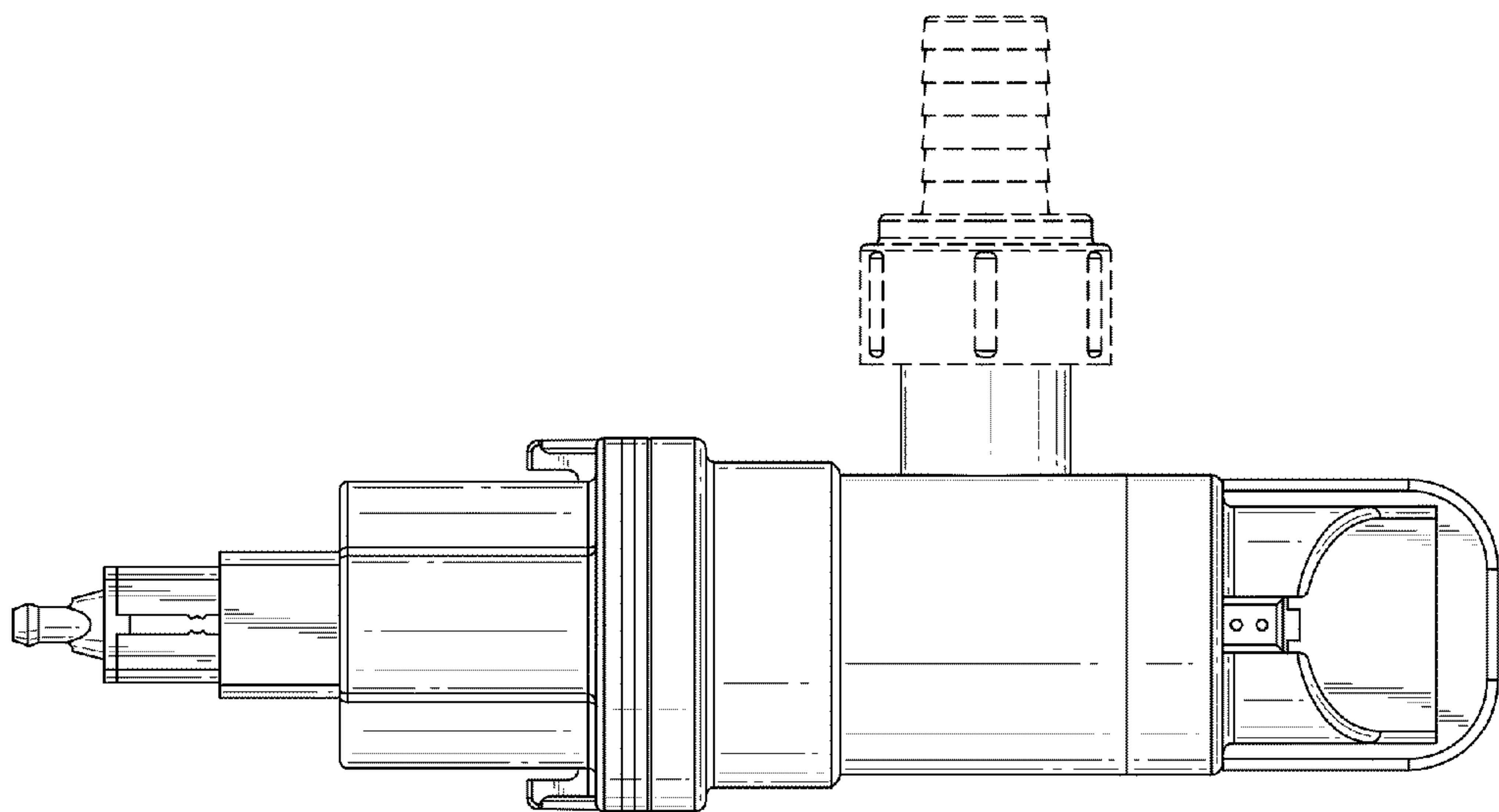


FIG. 5

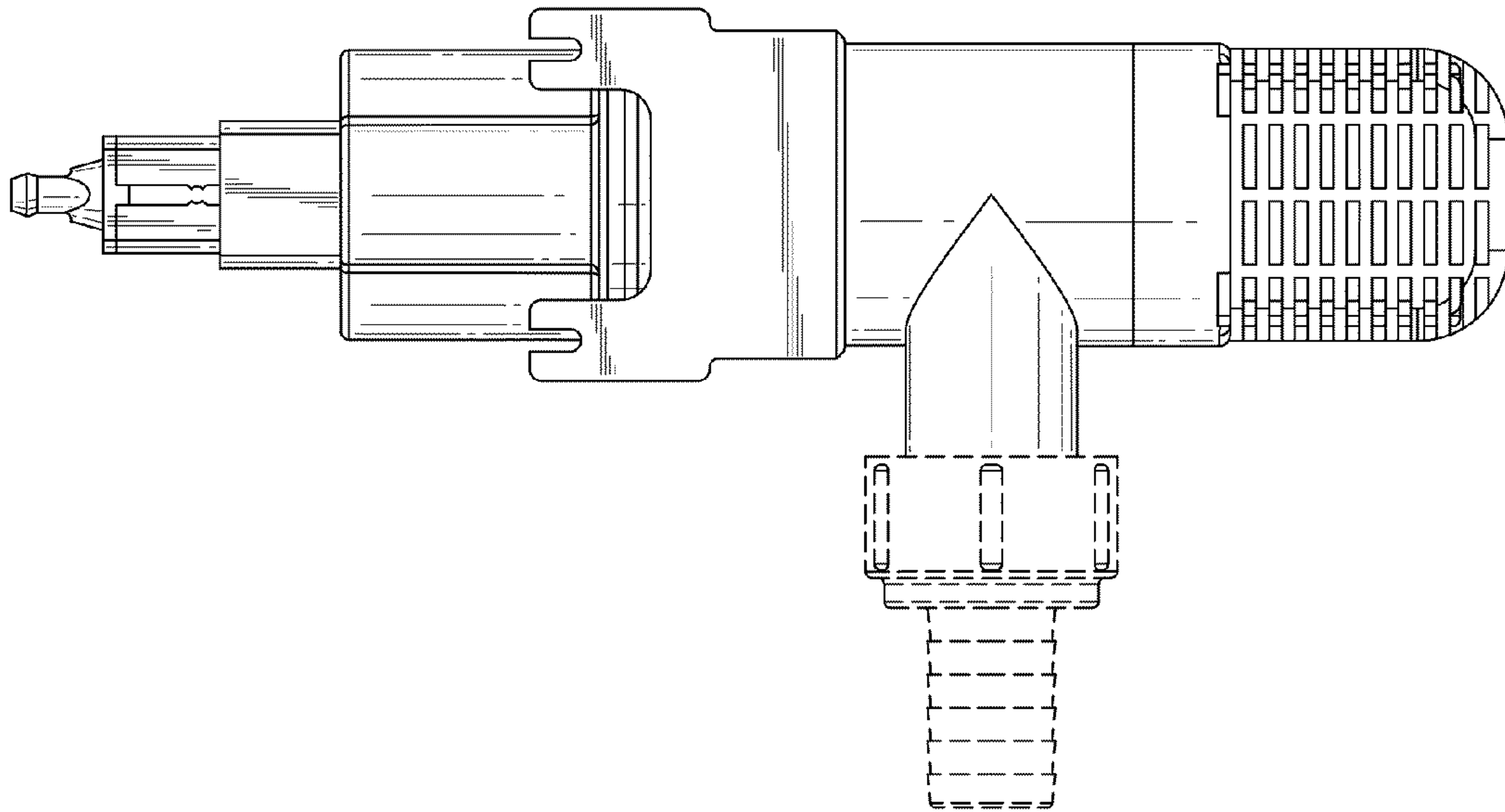


FIG. 6

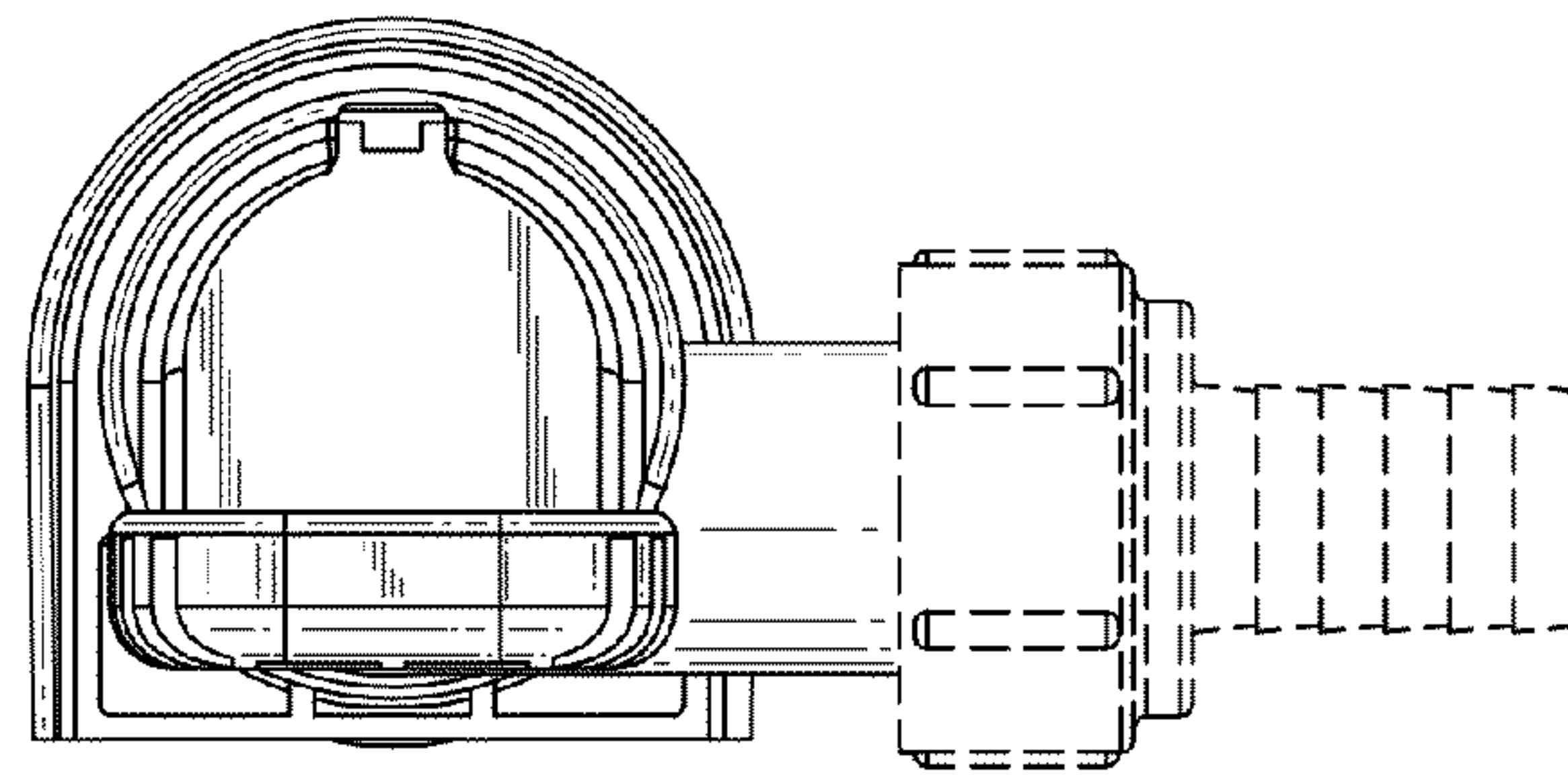


FIG. 7

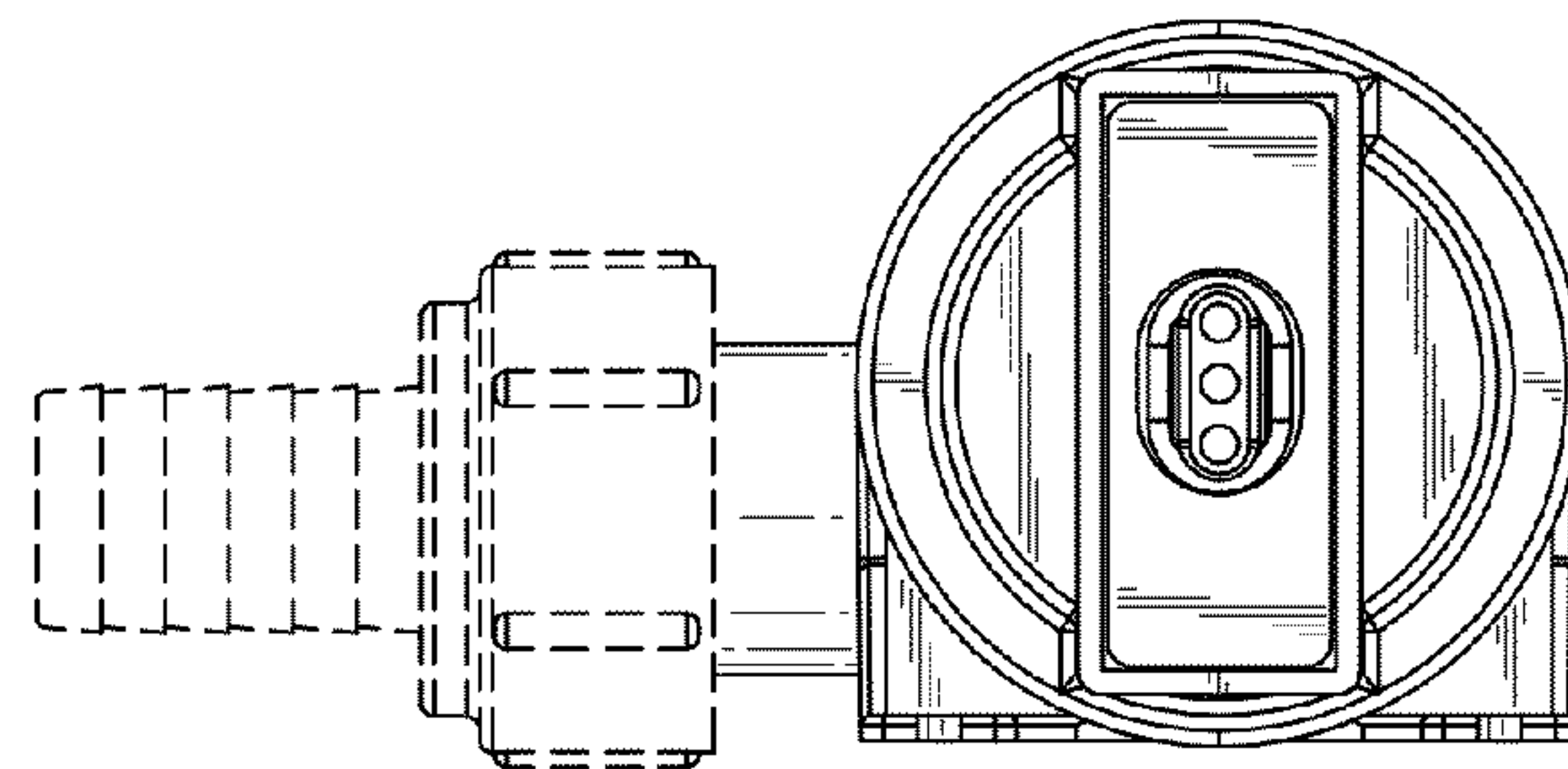


FIG. 8