



US00D701244S

(12) **United States Design Patent**  
**Oakes**

(10) **Patent No.:** **US D701,244 S**  
(45) **Date of Patent:** **\*\* Mar. 18, 2014**

(54) **PUMP DEVICE**

(56) **References Cited**

(71) Applicant: **Ultramax Products Limited**, Dewsbury  
(GB)

(72) Inventor: **John Oakes**, Dewsbury (GB)

(73) Assignee: **Ultramax Products Limited** (GB)

(\*\*) Term: **14 Years**

(21) Appl. No.: **29/450,985**

(22) Filed: **Mar. 27, 2013**

(30) **Foreign Application Priority Data**

Sep. 28, 2012 (EM) ..... 002111096

(51) **LOC (10) Cl.** ..... **15-02**

(52) **U.S. Cl.**  
USPC ..... **D15/7**

(58) **Field of Classification Search**  
USPC ..... D15/7-9; D23/231, 232, 225; 417/60,  
417/235, 265, 321, 355, 358, 363, 359,  
417/410.1, 415-416, 405, 900; 60/408,  
60/412; 184/26-37; 415/140-147;  
123/495, 509; D24/111

See application file for complete search history.

U.S. PATENT DOCUMENTS

D440,230 S *	4/2001	Craford et al. ....	D15/7
D440,231 S *	4/2001	Craford et al. ....	D15/7
D464,362 S *	10/2002	Tsai .....	D15/7
D491,957 S *	6/2004	Fang .....	D15/7
D492,324 S *	6/2004	Stevens .....	D15/7
D576,640 S *	9/2008	Sinico et al. ....	D15/7
D647,110 S *	10/2011	Pages .....	D15/7
D649,561 S *	11/2011	Bauck et al. ....	D15/7
D678,338 S *	3/2013	O'Shea .....	D15/7

\* cited by examiner

*Primary Examiner* — Ralf Seifert

(74) *Attorney, Agent, or Firm* — Gerald E. Hespos; Michael J. Porco; Matthew T. Hespos

(57) **CLAIM**

The ornamental design for a pump device, as shown and described.

**DESCRIPTION**

FIG. 1 is a bottom plan view of a pump device showing my new design;

FIG. 2 is a front elevational view thereof;

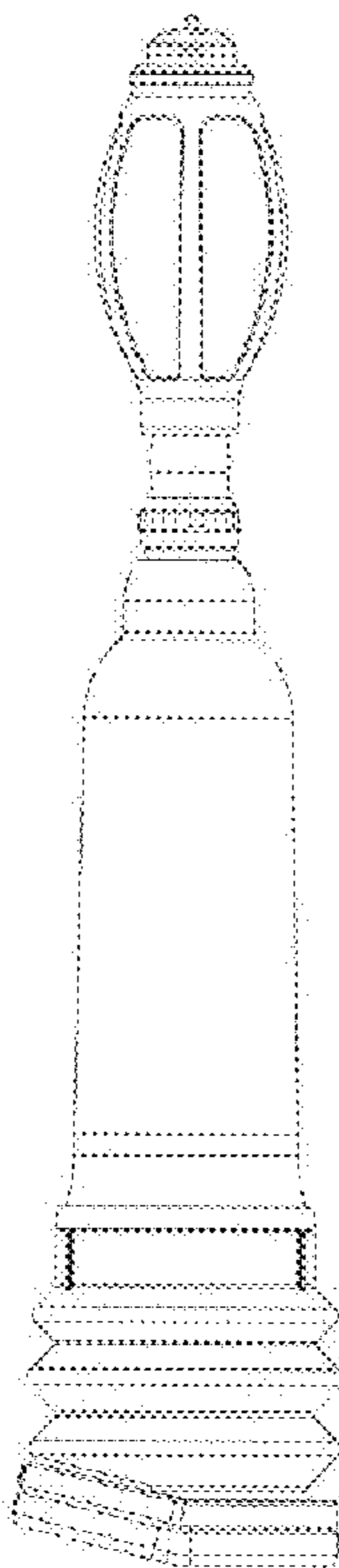
FIG. 3 is a rear elevational view thereof;

FIG. 4 is a side elevational view thereof; and,

FIG. 5 is a top plan view thereof.

The broken lines in FIG. 1 are included for the purpose of illustrating portions of the pump device that form no part of the claimed design.

**1 Claim, 5 Drawing Sheets**



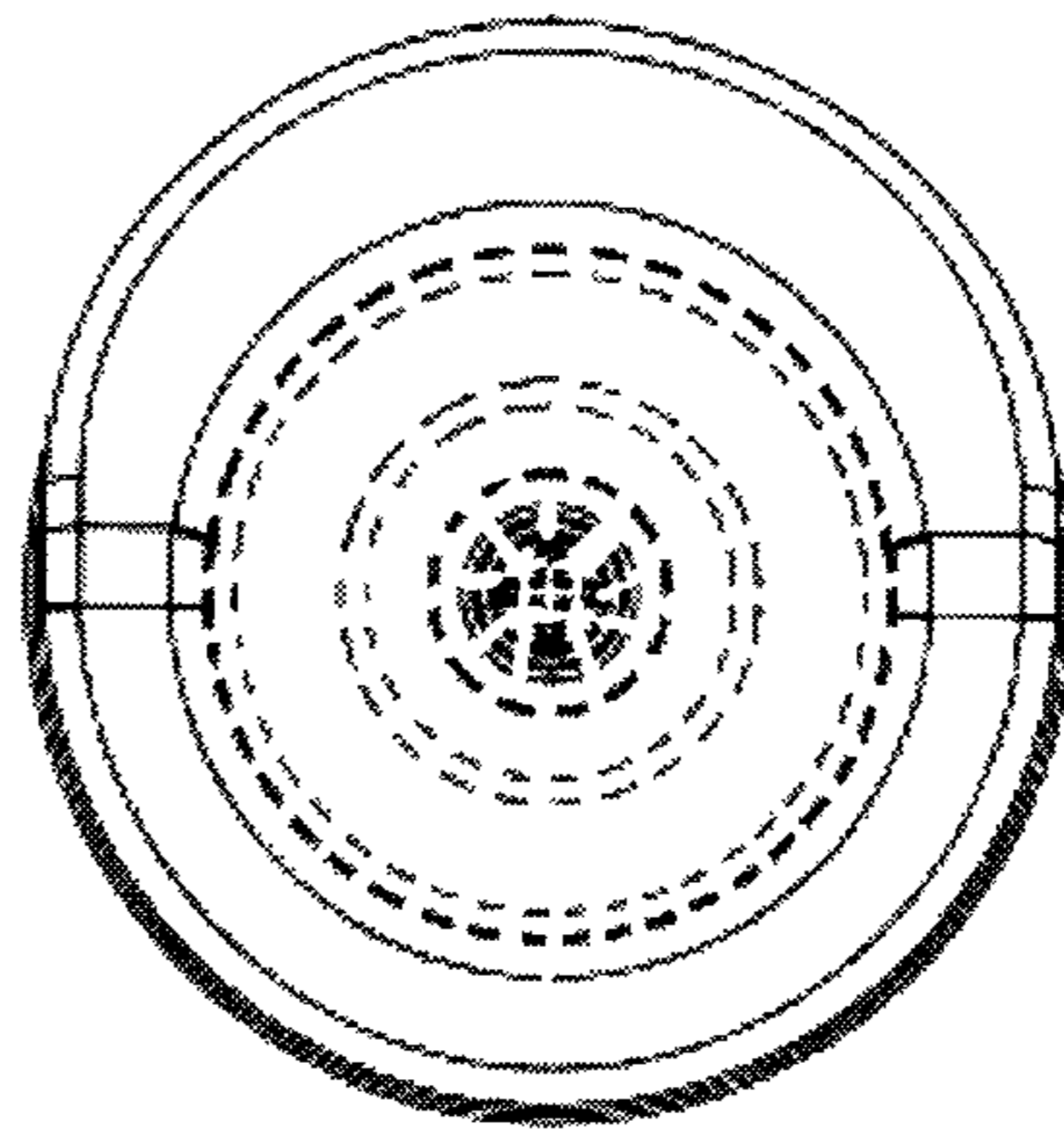


FIG. 1

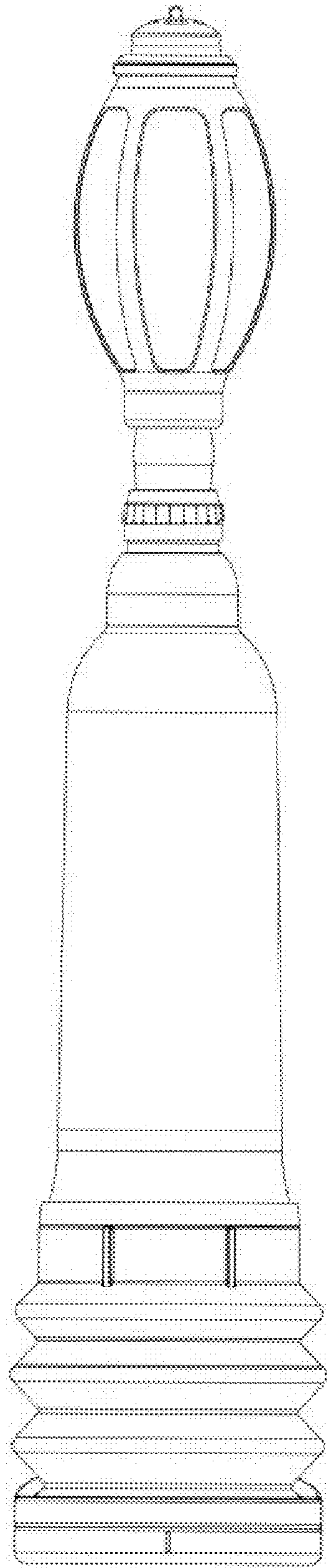


FIG. 2

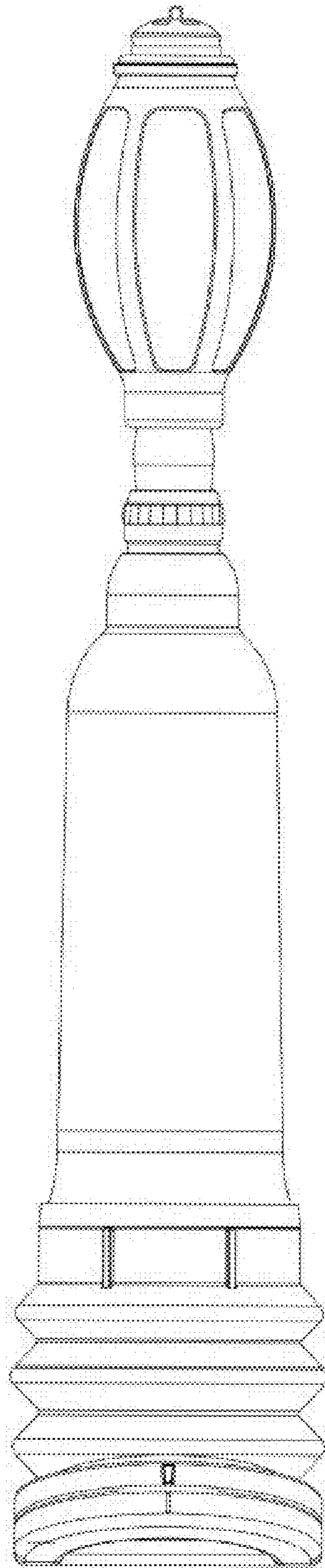


FIG. 3

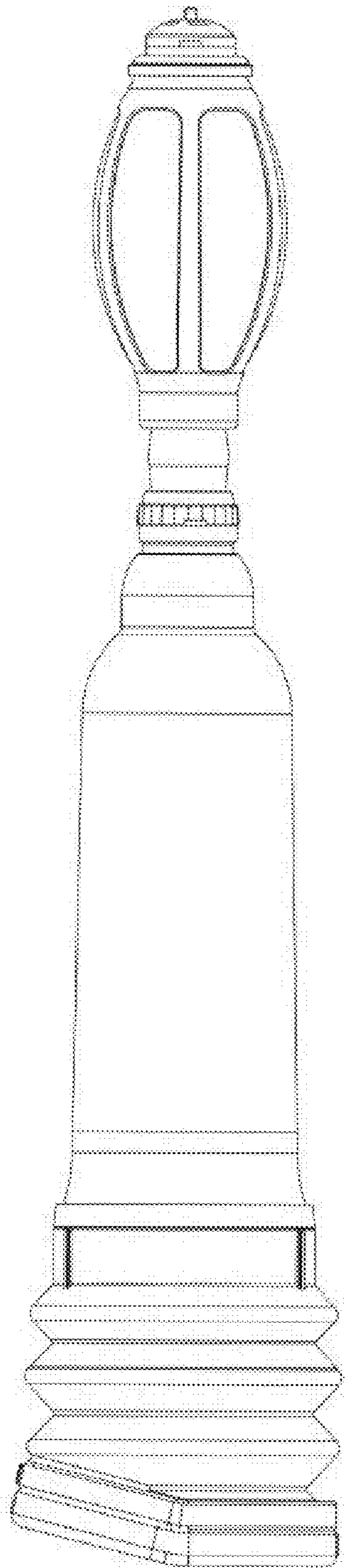


FIG. 4

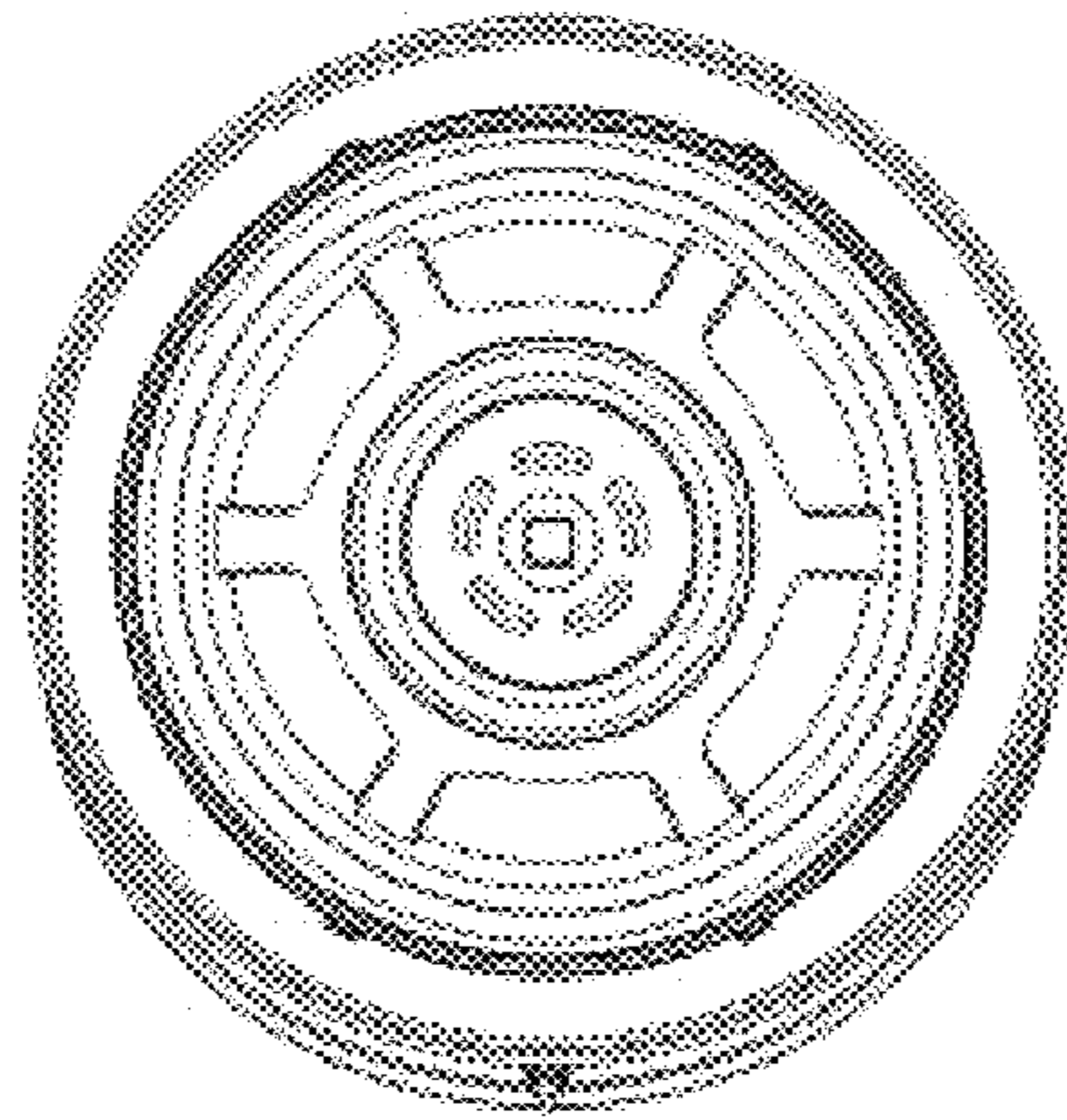


FIG. 5