



US00D701243S

(12) **United States Design Patent**
Cornett et al.

(10) **Patent No.:** **US D701,243 S**
(45) **Date of Patent:** **** Mar. 18, 2014**

(54) **PUMP ACTUATOR ANTI-ROTATION DEVICE**

6,805,085 B2 10/2004 Kuhl et al.
6,880,507 B2 4/2005 Kuhl et al.
6,953,016 B2 10/2005 Karbstein et al.

(75) Inventors: **Doug R. Cornett**, Hurdle Mills, NC (US); **John Page Chapman**, Richland, MI (US); **Gary Lynn Janowiak**, Saginaw, MI (US); **Daniel A. Nelson**, Kalamazoo, MI (US); **Mark E. Jacobs**, Roxboro, NC (US); **Brent L. Rehm**, Nashville, MI (US); **Pratap S. Murthy**, Ann Arbor, MI (US); **Anthony Leon Spoor**, Union City, MI (US); **James Roy Sheren**, Grand Ledge, MI (US)

(Continued)

FOREIGN PATENT DOCUMENTS

DE 19600852 7/1997
DE 102007016739 10/2008

Primary Examiner — Ralf Seifert

(74) *Attorney, Agent, or Firm* — Remarck Law Group PLC

(73) Assignee: **Eaton Corporation**, Cleveland, OH (US)

(57) **CLAIM**

The ornamental design for a pump actuator anti-rotation device, as shown and described.

(**) Term: **14 Years**

DESCRIPTION

(21) Appl. No.: **29/408,515**

FIG. 1 is a front view of a pump actuator anti-rotation device in accordance with the present teachings.

(22) Filed: **Dec. 13, 2011**

FIG. 2 is a side view of the pump actuator anti-rotation device of FIG. 1.

(51) **LOC (10) Cl.** **15-02**

FIG. 3 is a back view of the pump actuator anti-rotation device of FIG. 1.

(52) **U.S. Cl.**
USPC **D15/7**

FIG. 4 is a top view of the pump actuator anti-rotation device of FIG. 1.

(58) **Field of Classification Search**
USPC D15/7-9; D23/231, 232, 225; 417/60, 417/235, 265, 321, 355, 358, 363, 359, 417/410.1, 415-416, 405, 900, 43, 554; 60/408, 412; 184/26-37; 415/140-147; 123/495, 509; 166/105.1, 105.2, 311

FIG. 5 is a bottom view of the pump actuator anti-rotation device of FIG. 1.

See application file for complete search history.

FIG. 6 is a perspective view of the pump actuator anti-rotation device of FIG. 1.

(56) **References Cited**

FIG. 7 is another perspective view of the pump actuator anti-rotation device of FIG. 1.

U.S. PATENT DOCUMENTS

4,747,376 A 5/1988 Speil et al.
5,975,038 A 11/1999 Fischer et al.
6,032,631 A 3/2000 Haas et al.
6,164,255 A 12/2000 Maas et al.
6,247,433 B1 6/2001 Faria et al.
6,345,596 B1 2/2002 Kuhl
6,659,052 B2 12/2003 Kuhl

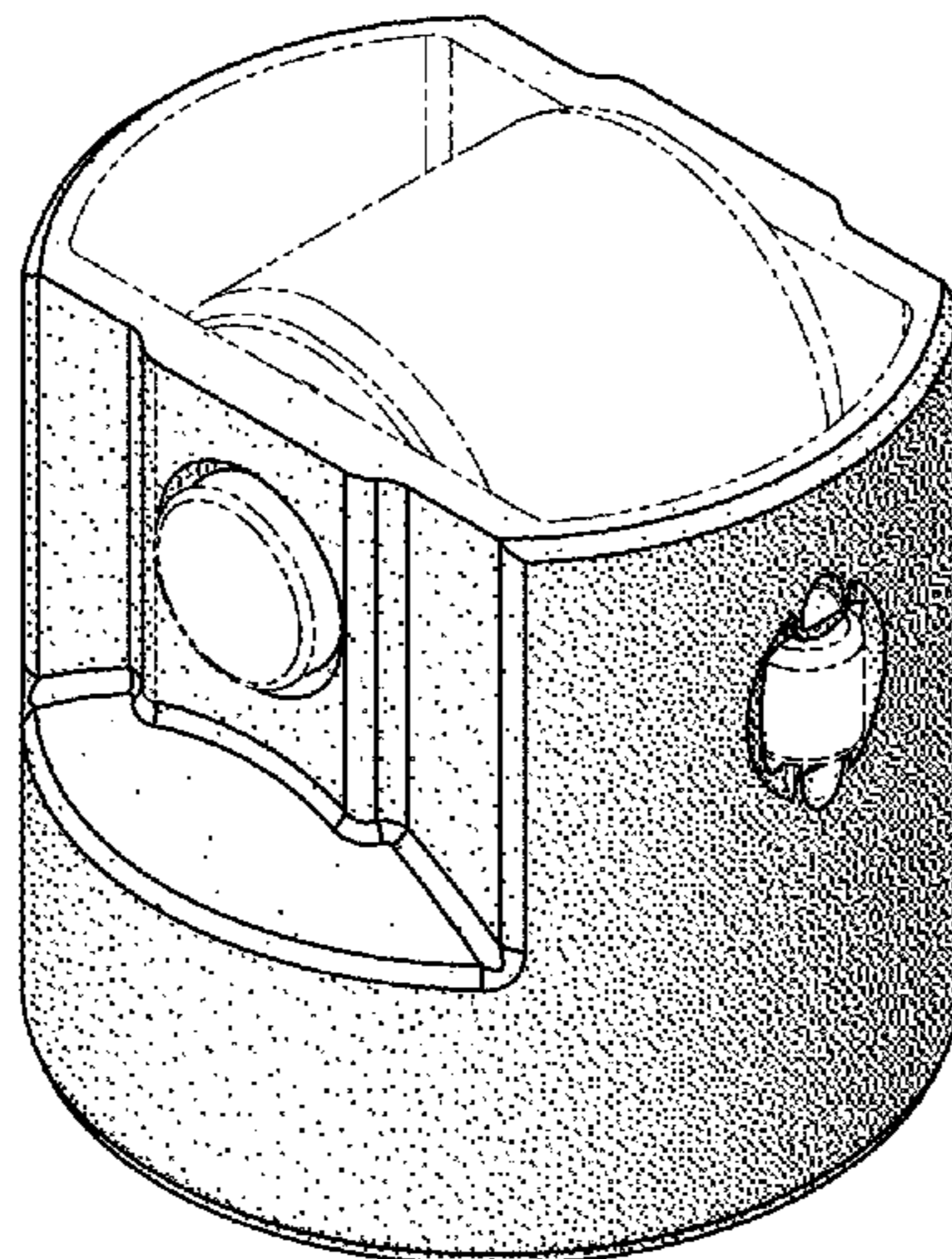
FIG. 8 is yet another perspective view of the pump actuator anti-rotation device of FIG. 1.

FIG. 9 is an enlarged partial view of the pump actuator anti-rotation device of FIG. 8; and,

FIG. 10 is partial exploded view of the pump actuator anti-rotation device of FIG. 9.

The broken line showing portions of the pump actuator anti-rotation device form no part of the claimed design.

1 Claim, 6 Drawing Sheets



(56)

References Cited

U.S. PATENT DOCUMENTS

6,988,474 B2	1/2006	Itoafa	7,389,757 B2	6/2008	Itoafa et al.	
7,055,479 B2	6/2006	Sailer et al.	7,610,886 B2	11/2009	von Schimonsky	
7,096,837 B2	8/2006	Kieninger et al.	7,793,583 B2	9/2010	Radinger et al.	
7,146,952 B2	12/2006	Kreil et al.	7,793,630 B2	9/2010	Shewell	
7,159,552 B2	1/2007	Backert et al.	D633,109 S *	2/2011	Katayama	D15/9
7,210,437 B2	5/2007	Geyer	D633,529 S *	3/2011	Hamada et al.	D15/7
7,246,584 B2	7/2007	Geiger et al.	D638,036 S *	5/2011	Hamada et al.	D15/7
7,246,587 B2	7/2007	Evans et al.	2009/0031977 A1	2/2009	Bugescu et al.	
7,299,777 B2	11/2007	Meisborn et al.	2010/0012065 A1	1/2010	Dorn et al.	
7,322,328 B2	1/2008	Haefner	2010/0229812 A1	9/2010	Dorn et al.	
			2010/0294219 A1	11/2010	Prokop	
			2011/0265752 A1	11/2011	Dorn et al.	

* cited by examiner

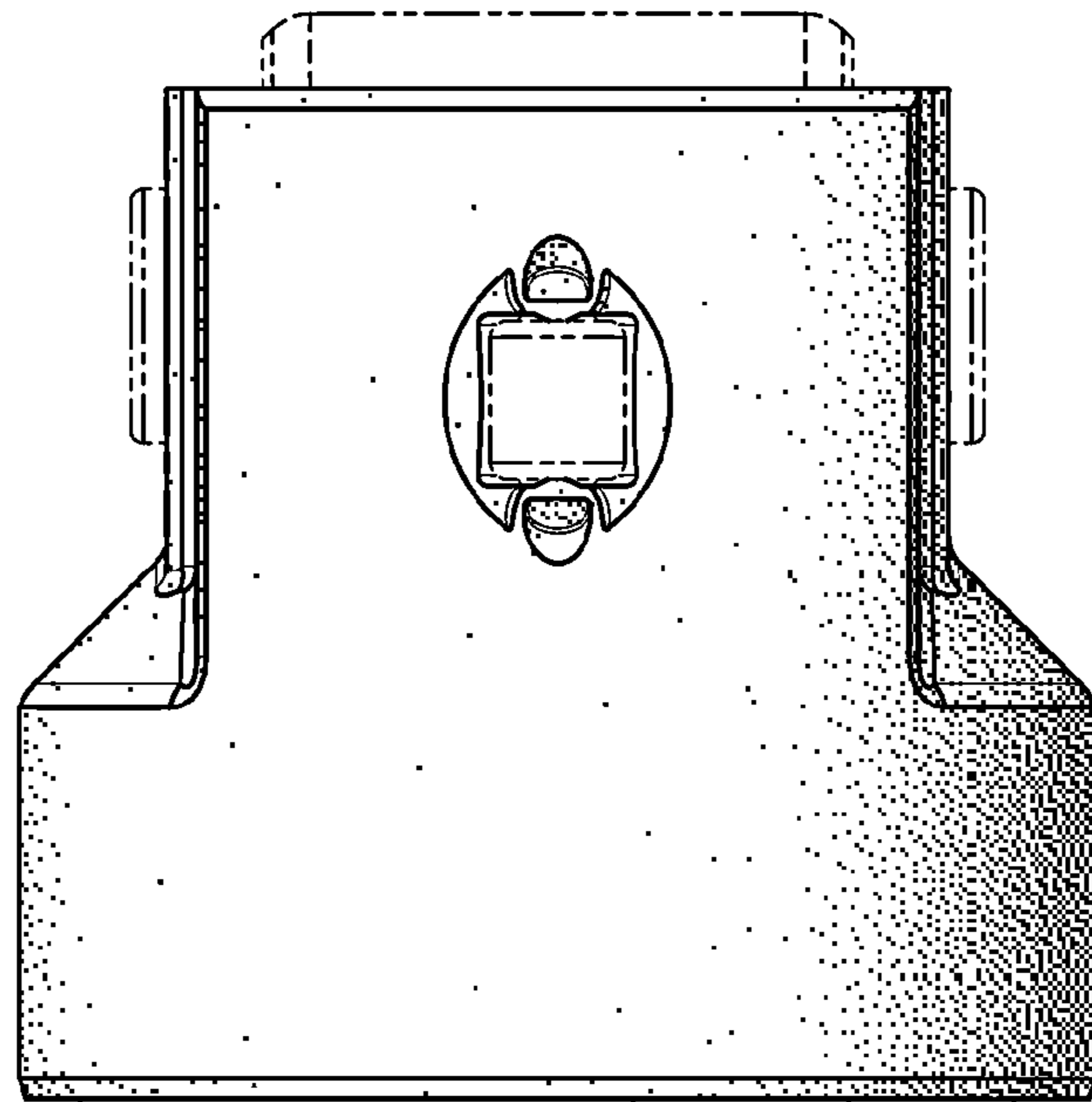


FIG. 1

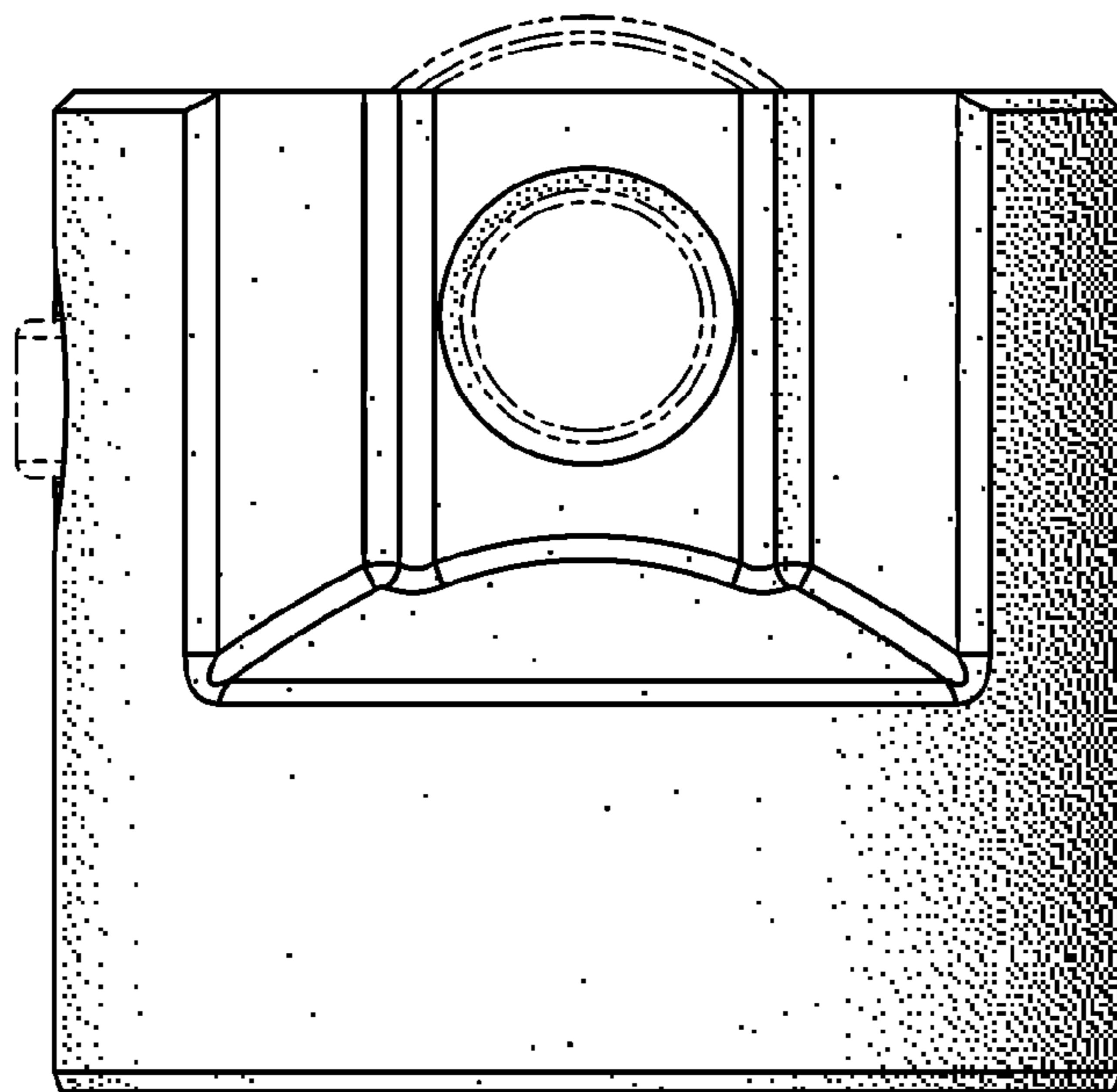


FIG. 2

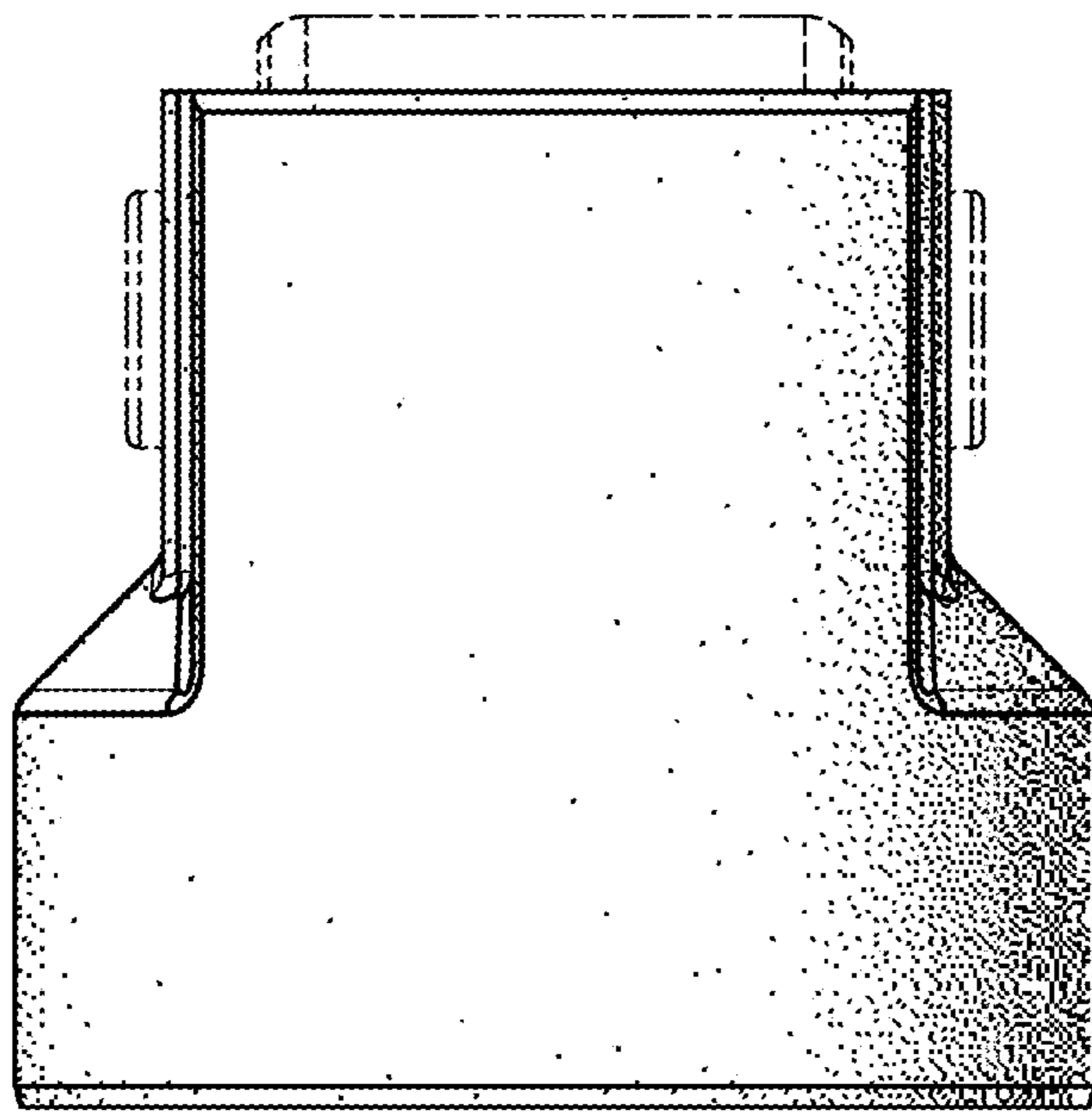


FIG.3

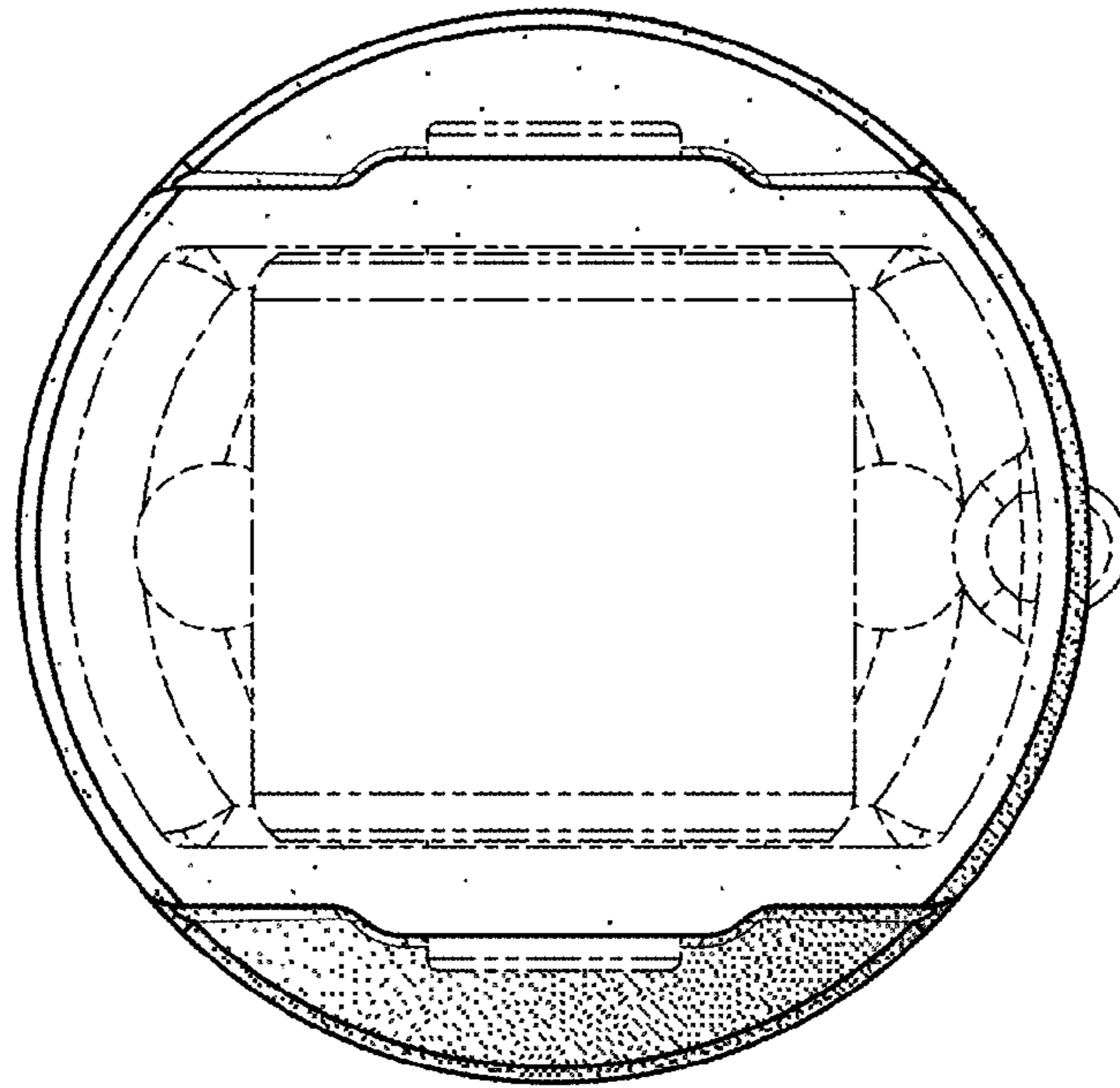


FIG. 4

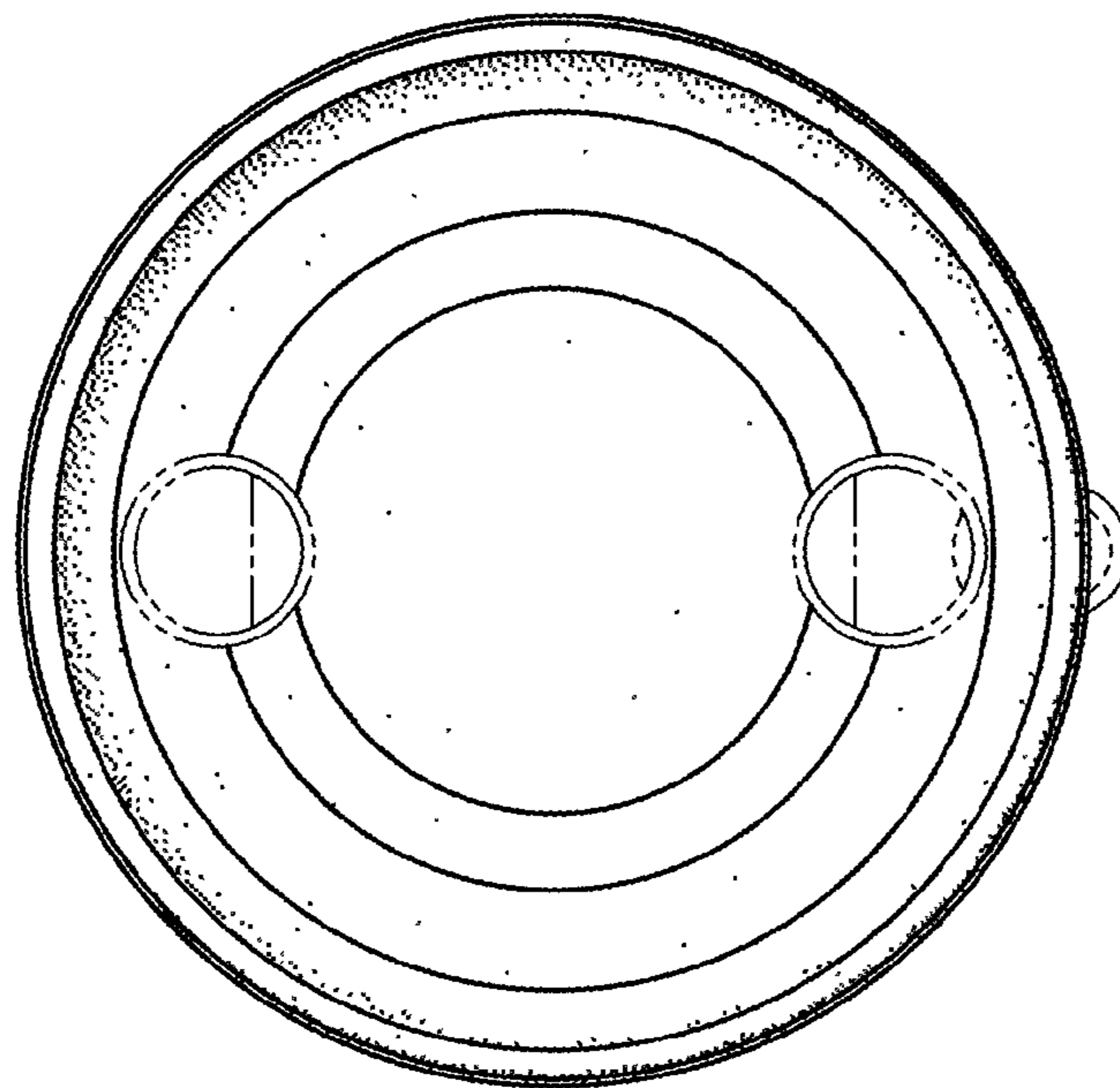


FIG. 5

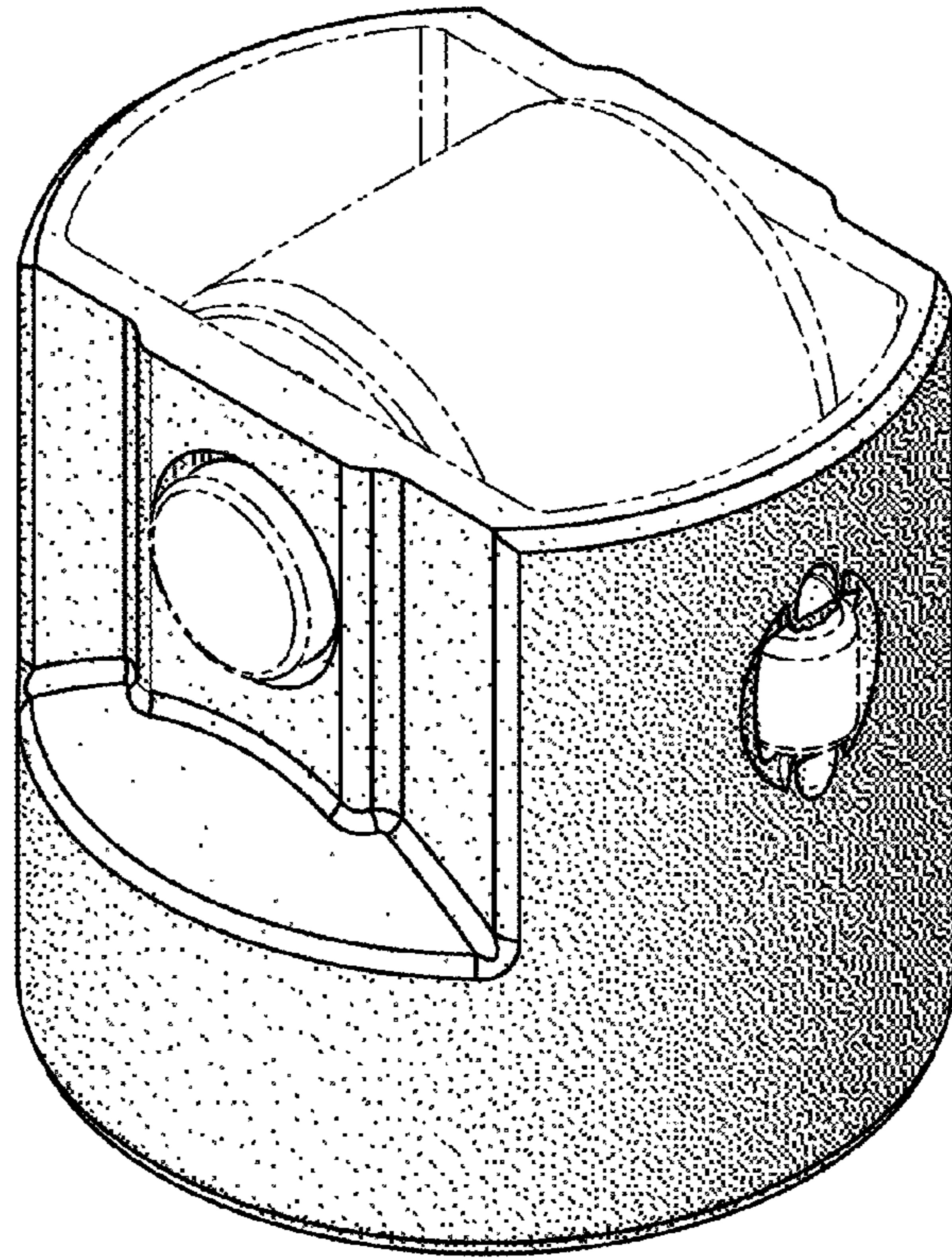


FIG. 6

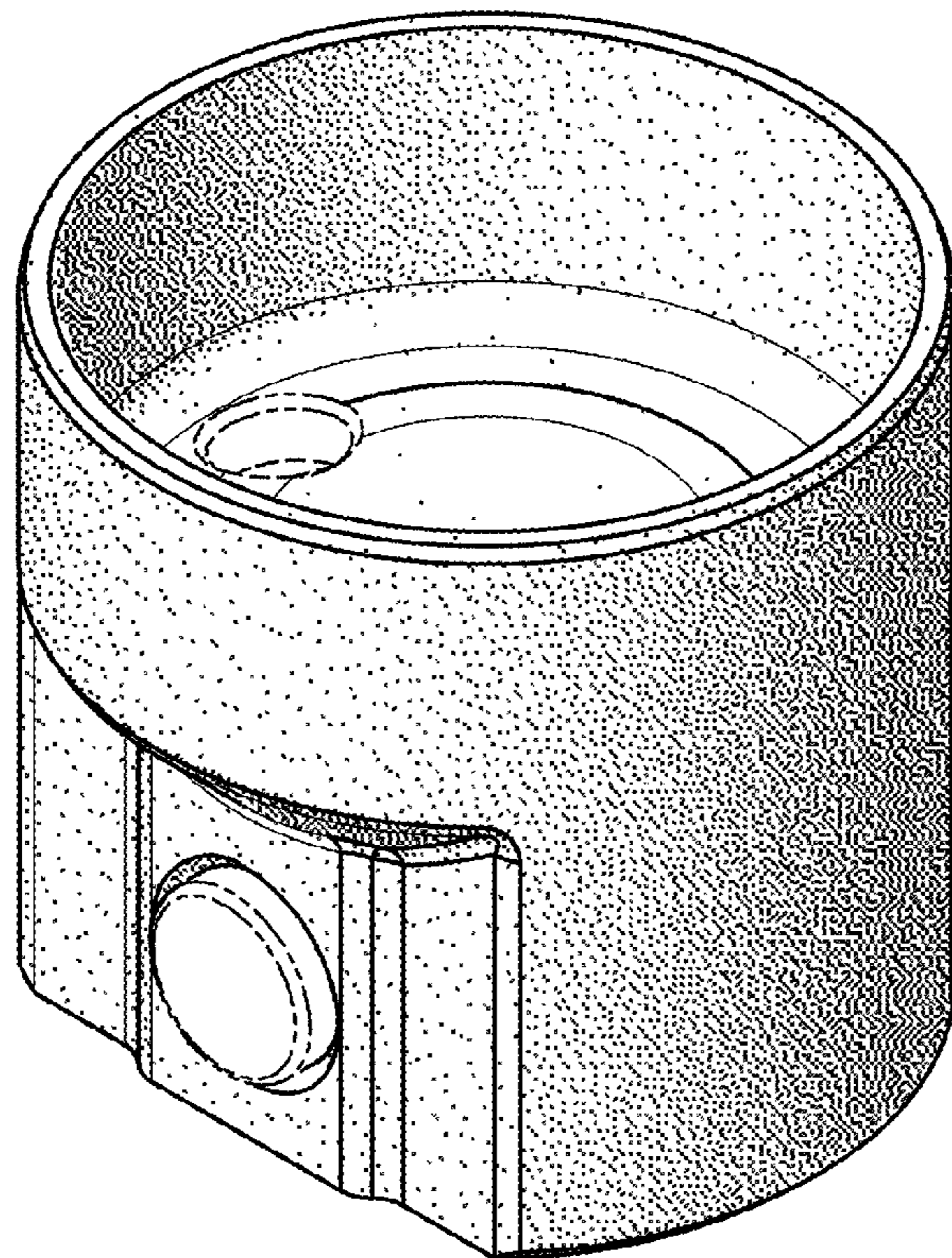


FIG. 7

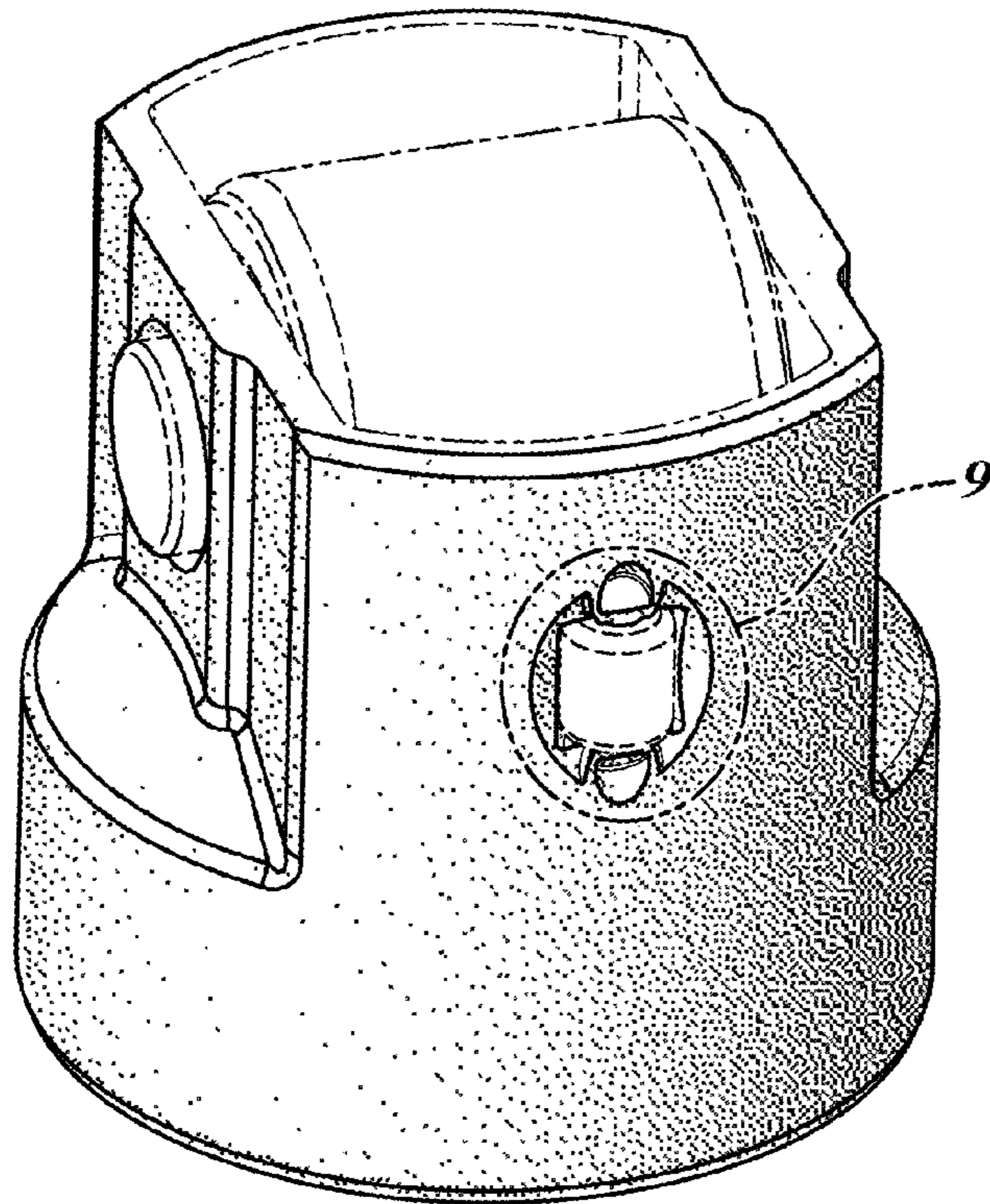


FIG. 8

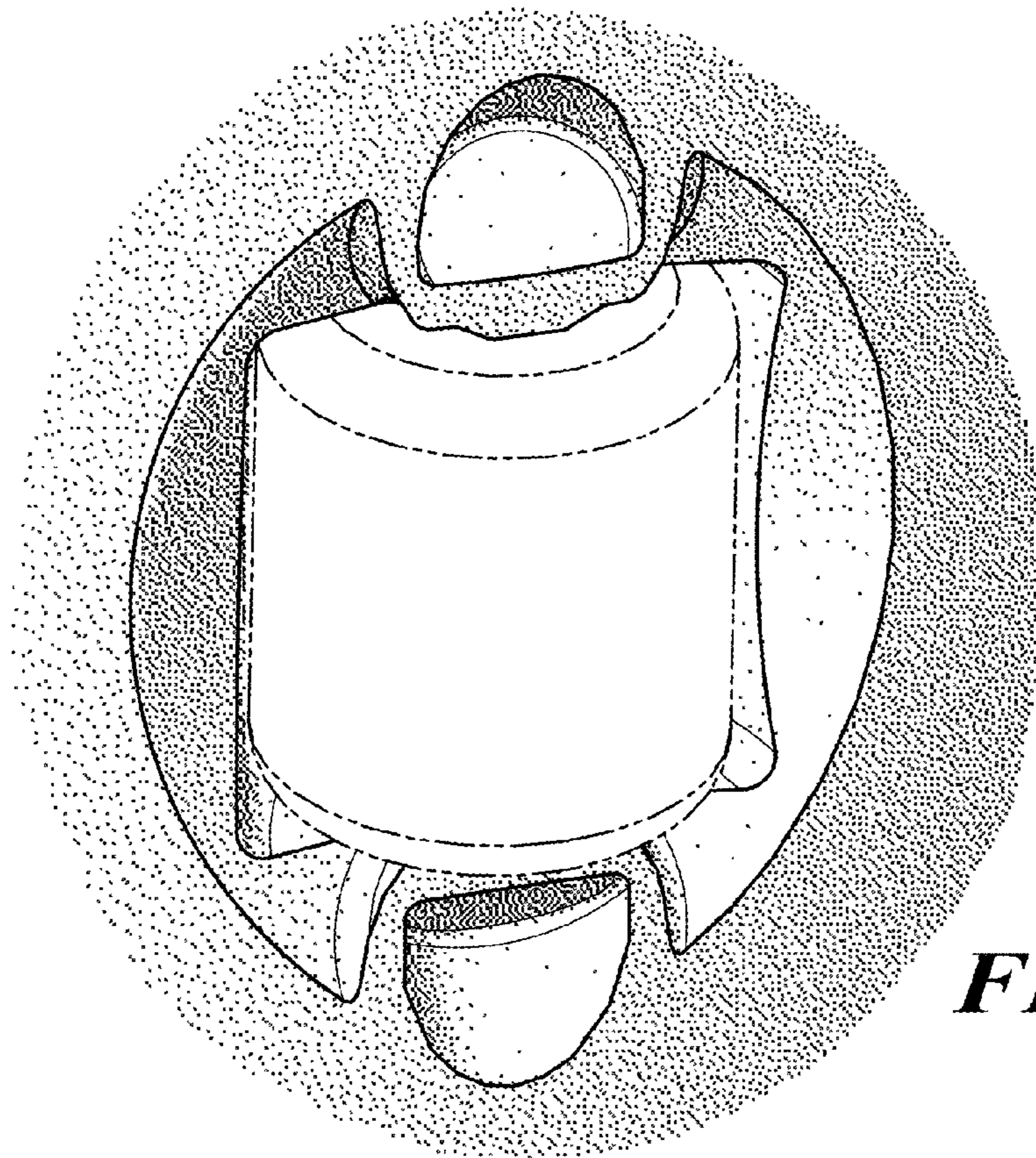


FIG. 9

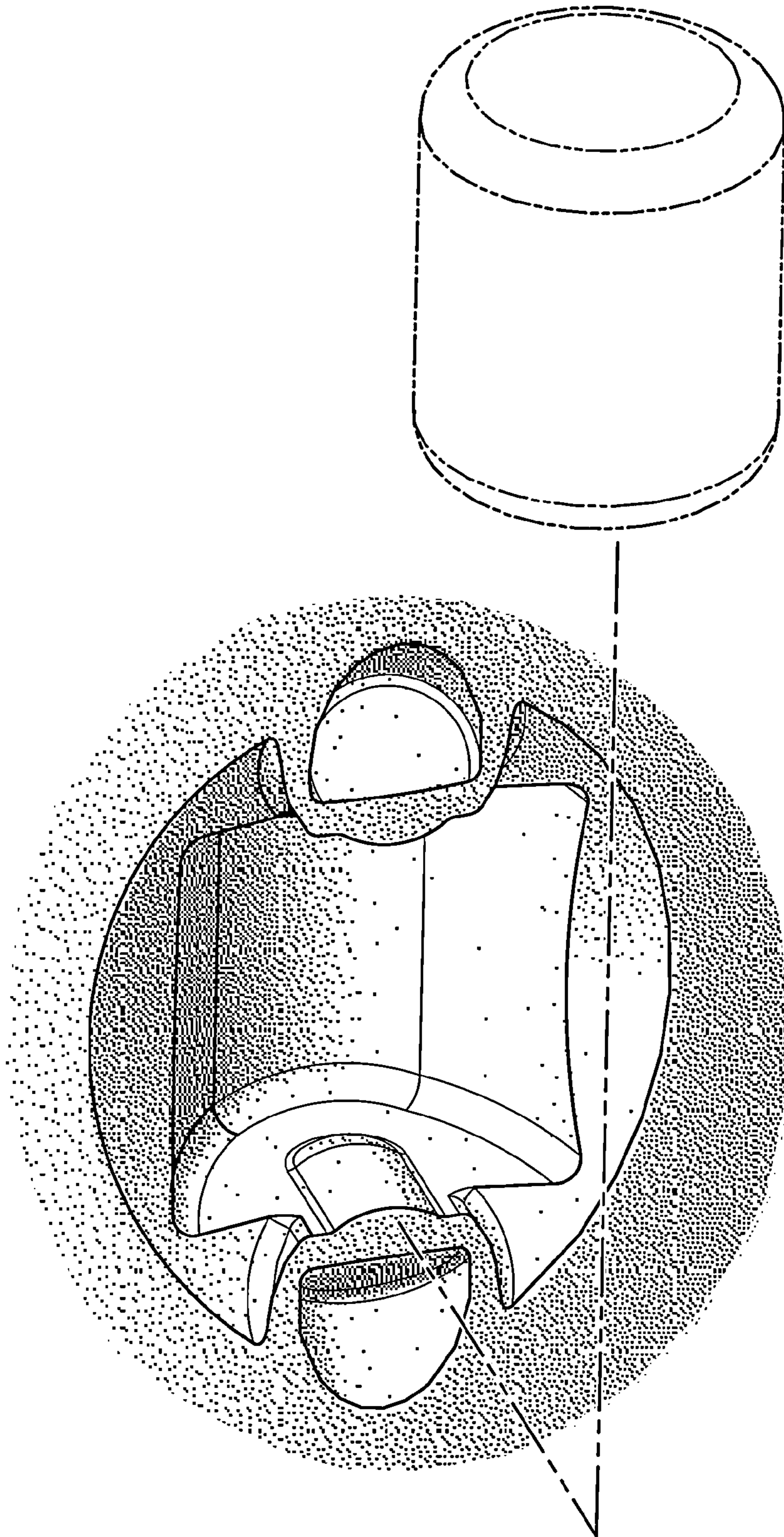


FIG. 10