



US00D701242S

(12) **United States Design Patent**
Lee

(10) **Patent No.:** **US D701,242 S**
(45) **Date of Patent:** **** Mar. 18, 2014**

(54) **BLU-RAY DISK PLAYER**
(75) Inventor: **Seung-Cheol Lee**, Seoul (KR)
(73) Assignee: **Samsung Electronics Co., Ltd.**,
Suwon-si, Gyeonggi-do (KR)
(**) Term: **14 Years**
(21) Appl. No.: **29/426,216**
(22) Filed: **Jul. 2, 2012**

D520,480 S 5/2006 Kwon et al.
D520,975 S * 5/2006 Kim et al. D14/502
D531,025 S * 10/2006 Tanner D9/426
D560,179 S 1/2008 Cho et al.
D571,351 S * 6/2008 Sogabe D14/168
D578,121 S * 10/2008 Goto D14/385
D587,227 S * 2/2009 Sugiyama D14/500
D613,310 S * 4/2010 Kim D14/502
D626,565 S * 11/2010 Kim D14/500
D632,290 S * 2/2011 Jeon et al. D14/356
D686,198 S * 7/2013 Lewis et al. D14/240
D688,708 S * 8/2013 Cho et al. D14/502
D689,051 S * 9/2013 Lee et al. D14/358

OTHER PUBLICATIONS

(30) **Foreign Application Priority Data**
Jan. 16, 2012 (KR) 30-2012-0002079
(51) **LOC (10) Cl.** **14-03**
(52) **U.S. Cl.**
USPC **D14/502**
(58) **Field of Classification Search**
USPC D3/273; D9/418, 432; D11/155;
D13/103, 119, 162, 184; D14/125,
D14/168, 169, 188, 197, 198, 240, 242,
D14/300-302, 308, 313, 314, 356-358, 363,
D14/364, 368-370, 383-385, 496, 497,
D14/500-502; D18/34.1; 361/679.31,
361/679.32, 679.39; 369/6-8, 75.11;
455/344; 720/612-619
See application file for complete search history.

U.S. Appl. No. 29/426,209, Applicant: Seung-Cheol Lee, filed Jul. 2, 2012 entitled Blu-Ray Disk Player.

* cited by examiner

Primary Examiner — Thomas Johannes

Assistant Examiner — Janice Lim

(74) *Attorney, Agent, or Firm* — Flynn, Thiel, Boutell & Tanis, P.C.

(57) **CLAIM**

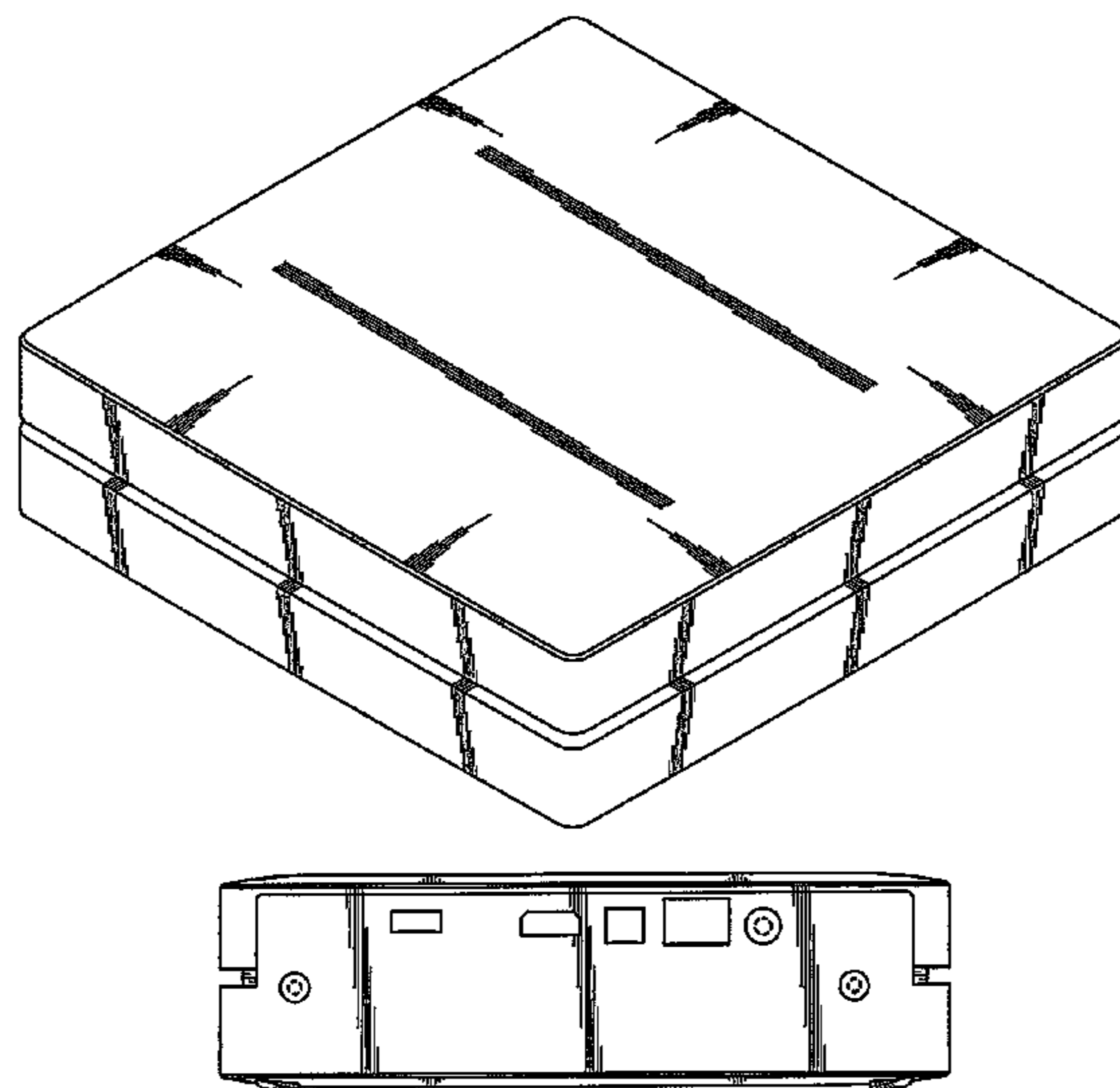
The ornamental design for a blu-ray disk player, as shown and described.

DESCRIPTION

FIG. 1 is a top front perspective view of a blu-ray disk player showing my new design;
FIG. 2 is a front elevation view thereof;
FIG. 3 is a rear elevation view thereof;
FIG. 4 is a left side elevation view thereof;
FIG. 5 is a right side elevation view thereof;
FIG. 6 is a top plan view thereof; and,
FIG. 7 is a bottom plan view thereof.
The broken line portion of FIG. 3 is included to show unclaimed internal subject matter only and forms no part of the claimed design.

(56) **References Cited**
U.S. PATENT DOCUMENTS
D258,938 S * 4/1981 Spitzer D9/614
4,498,160 A * 2/1985 Koiki 369/63
D289,286 S * 4/1987 Aldrich et al. D14/240
D316,375 S * 4/1991 Tiedemann D10/50
D340,040 S * 10/1993 Gifford et al. D14/365
D437,316 S * 2/2001 Lin D14/301
D475,032 S * 5/2003 Ota D14/502
D494,172 S * 8/2004 Asai D14/368
D519,961 S * 5/2006 Naruki D14/507

1 Claim, 3 Drawing Sheets



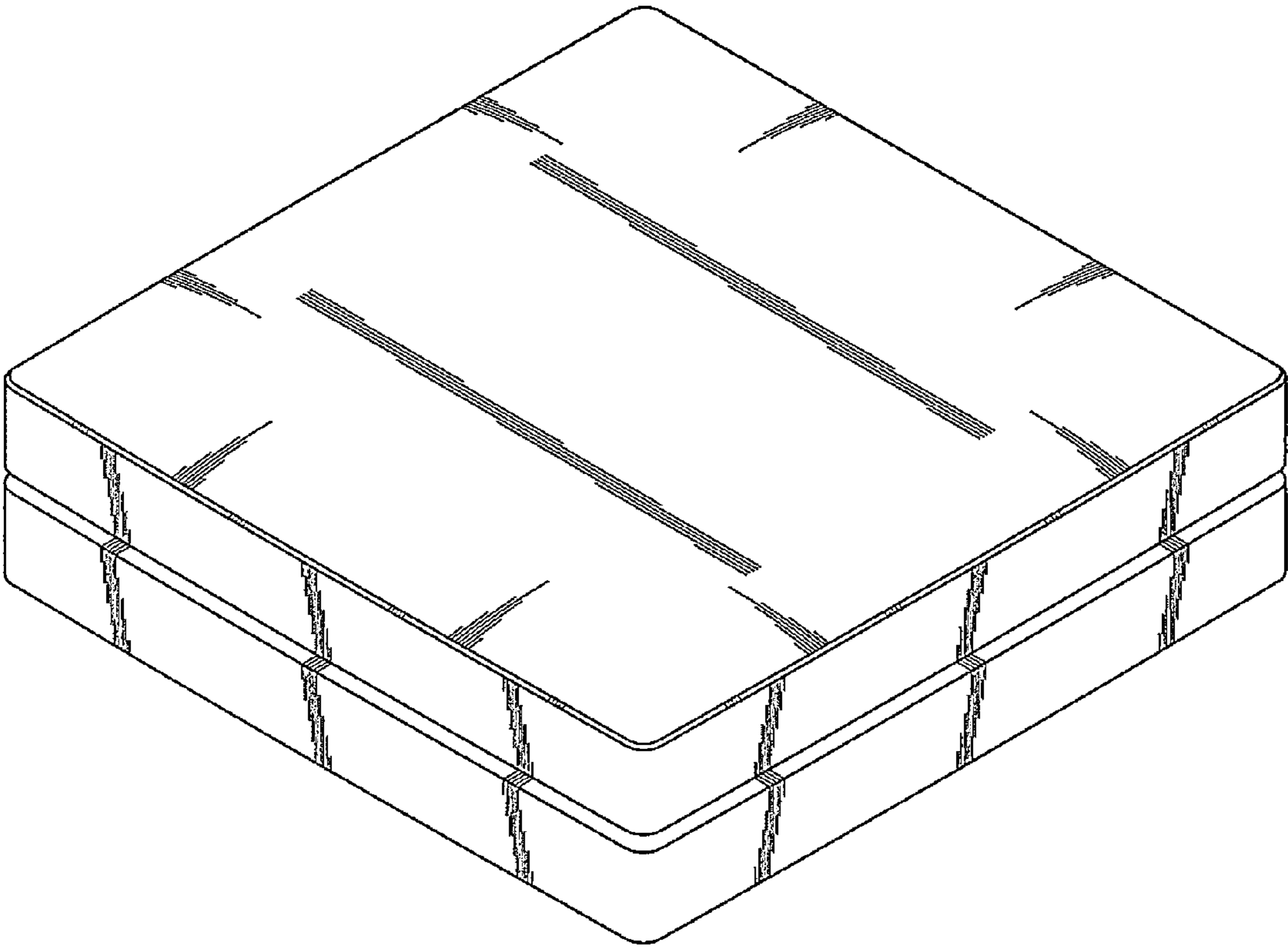


FIG. 1

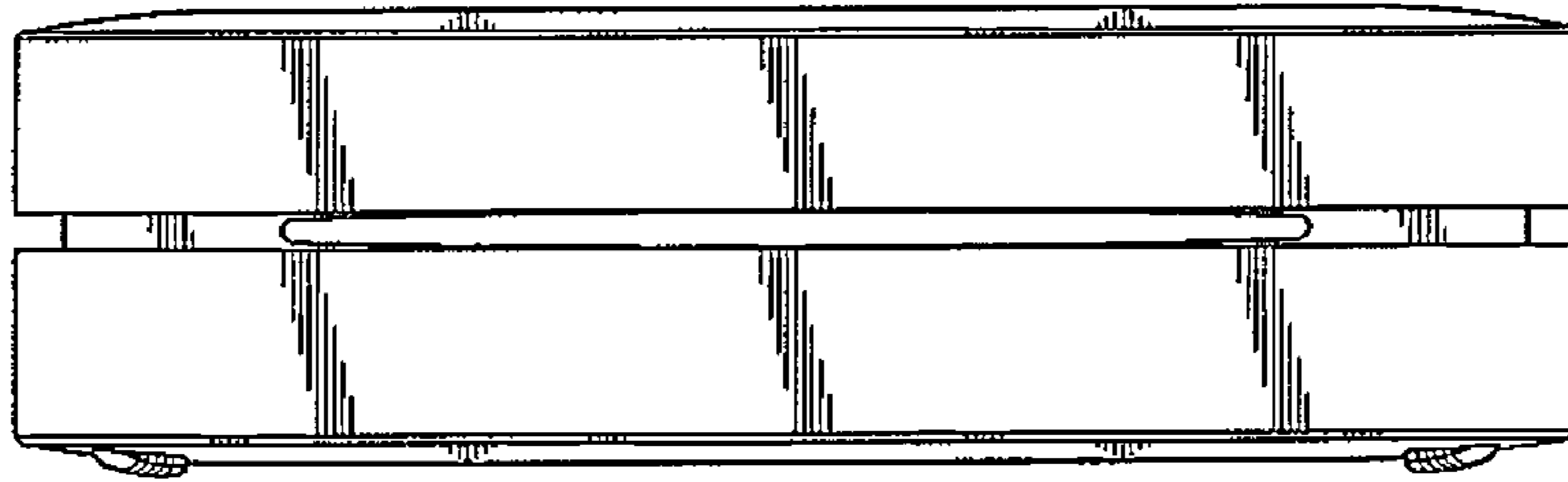


FIG. 2

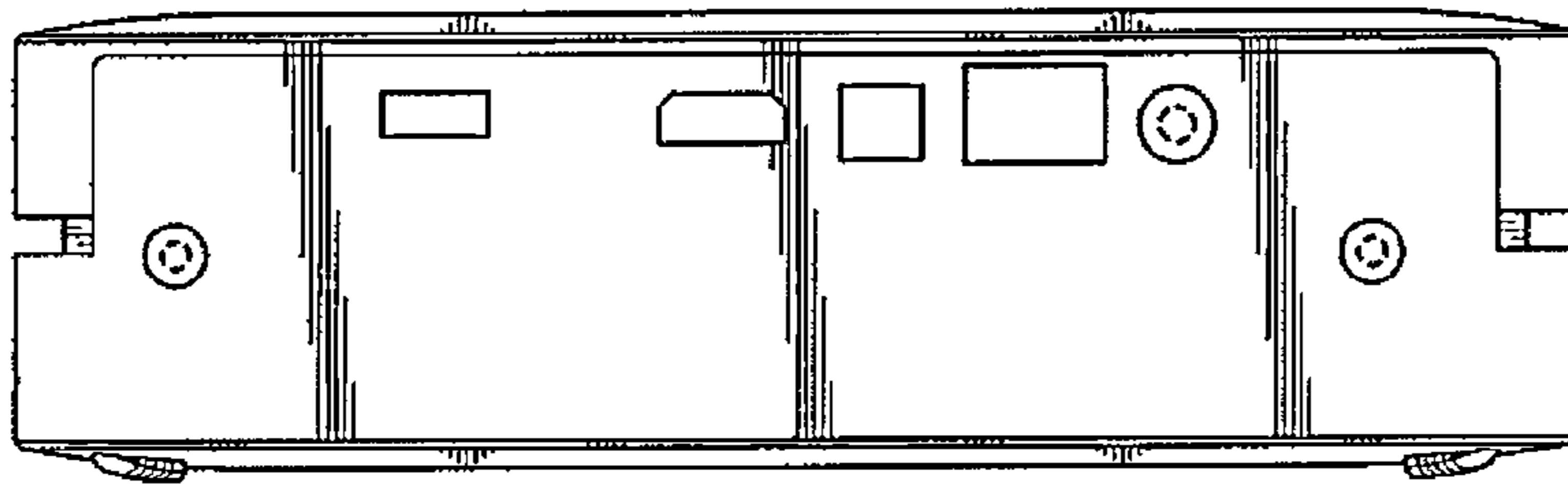


FIG. 3

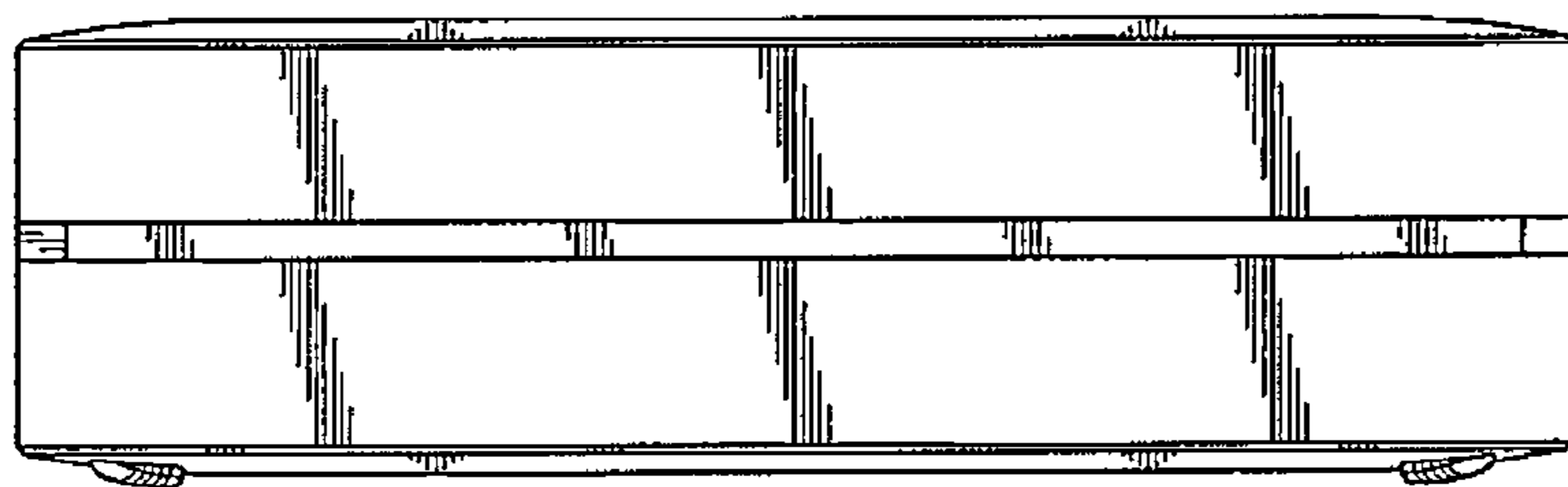


FIG. 4

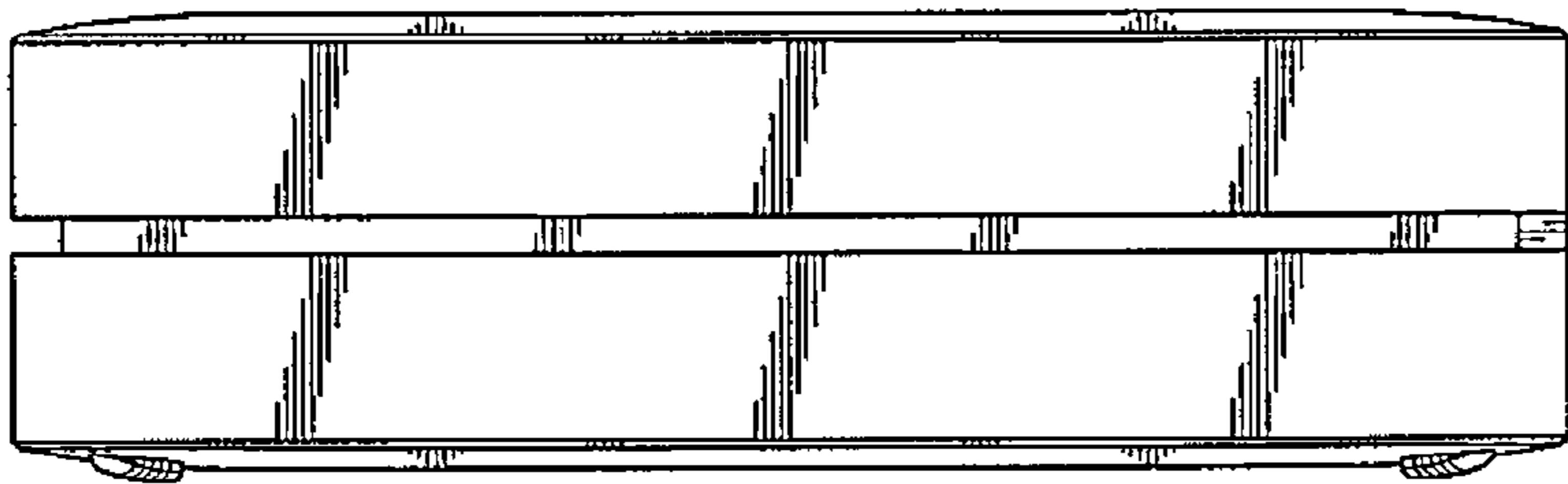


FIG. 5

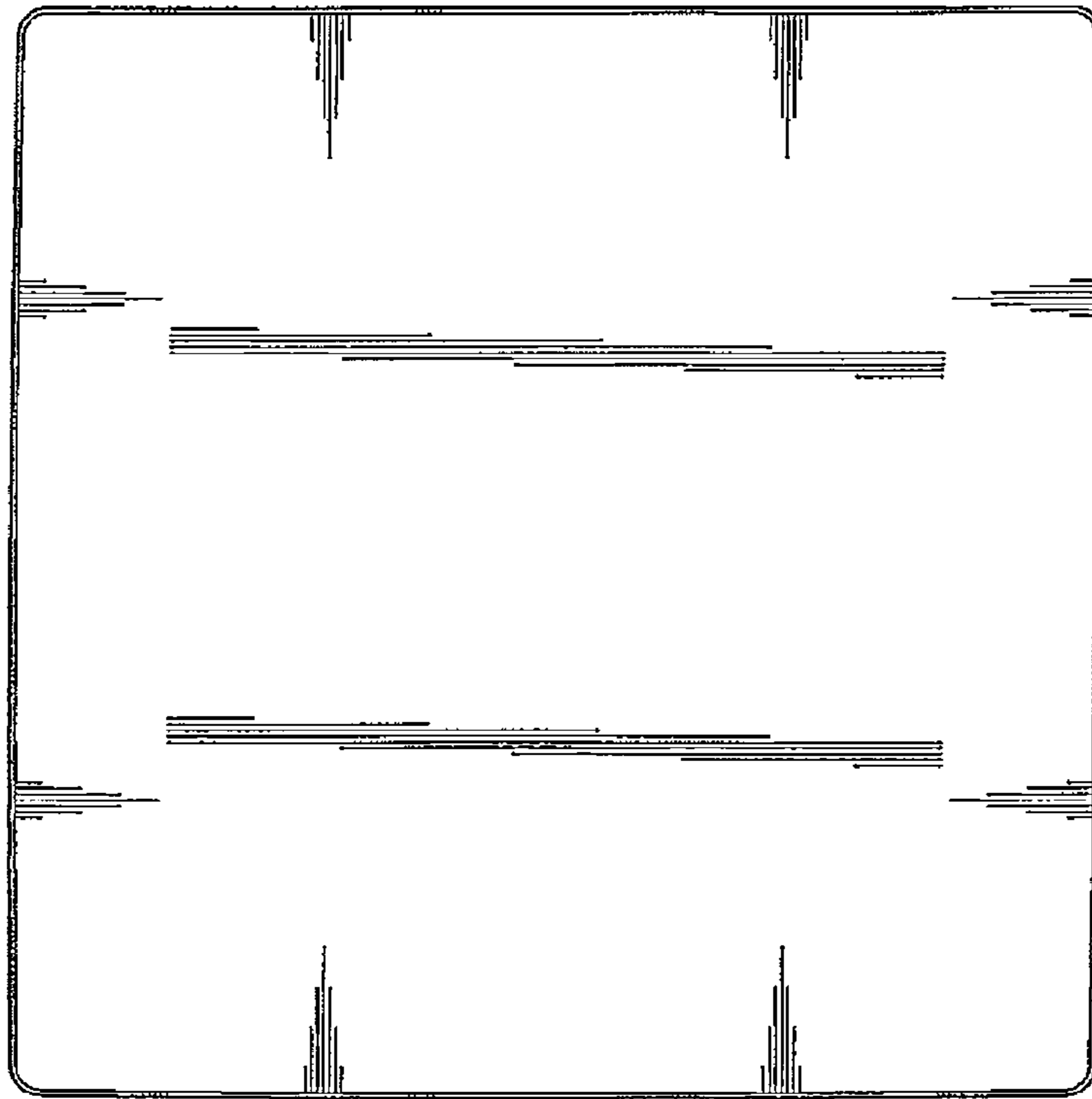


FIG. 6

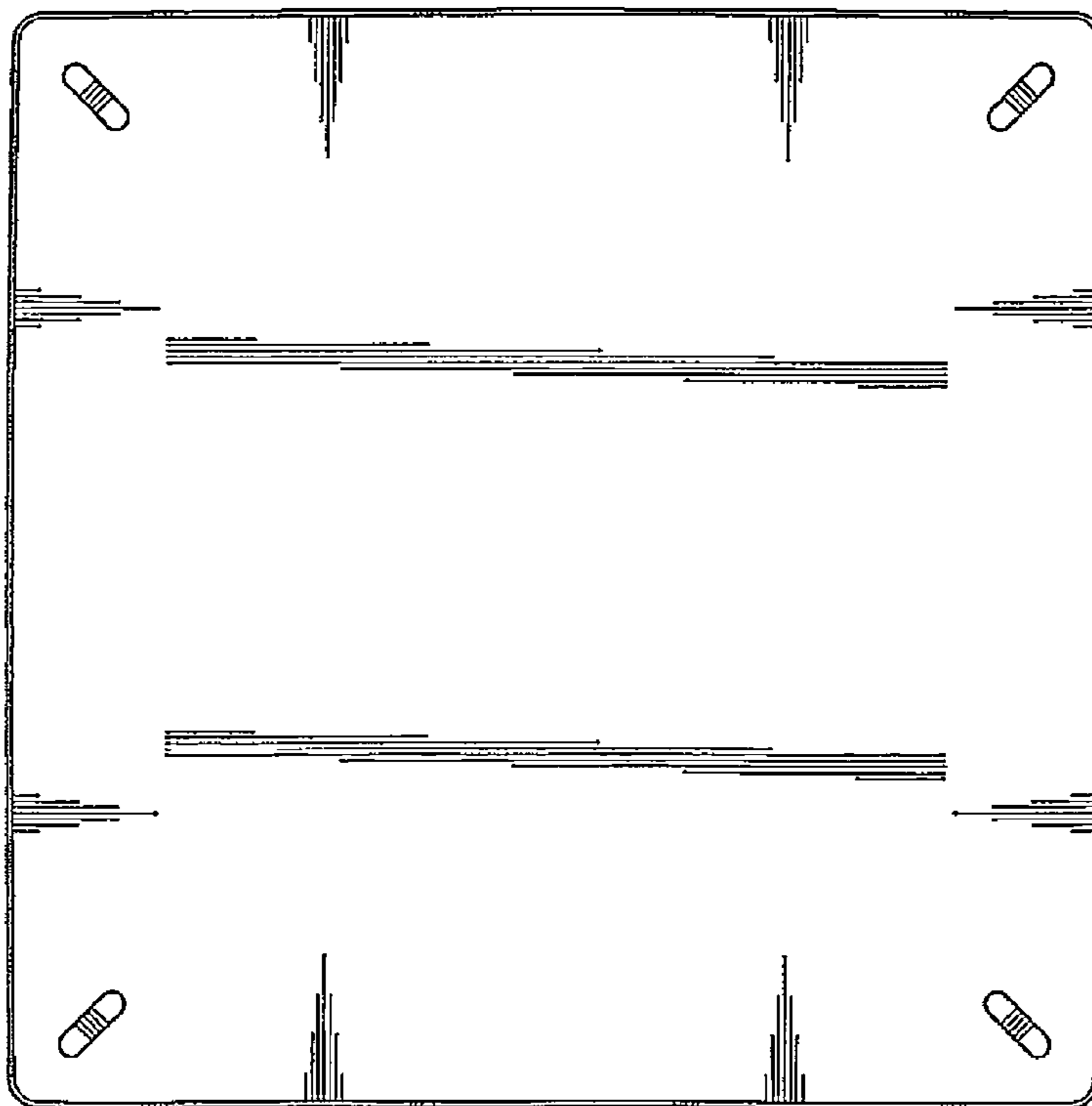


FIG. 7