

US00D701239S

(12) **United States Design Patent**  
**Wenz et al.**

(10) **Patent No.:** **US D701,239 S**  
(45) **Date of Patent:** **\*\* Mar. 18, 2014**

(54) **DISPLAY SCREEN WITH A GRAPHICAL INTERFACE**

(71) Applicant: **Cisco Technology, Inc.**, San Jose, CA (US)

(72) Inventors: **Oliver C. Wenz**, Petaluma, CA (US);  
**Michael J. Manning**, Campbell, CA (US); **Jihyun Kim**, Alameda, CA (US)

(73) Assignee: **Cisco Technology, Inc.**, San Jose, CA (US)

(\*\*) Term: **14 Years**

(21) Appl. No.: **29/455,814**

(22) Filed: **May 24, 2013**

**Related U.S. Application Data**

(62) Division of application No. 29/380,019, filed on Nov. 29, 2010, now Pat. No. Des. 684,986.

(51) **LOC (10) Cl.** ..... **14-04**

(52) **U.S. Cl.**  
USPC ..... **D14/488**

(58) **Field of Classification Search**

USPC ..... D14/485-488; D18/31-32; D20/10-11, D20/22, 27; 715/751-753, 756, 758, 759  
See application file for complete search history.

(56) **References Cited**

**U.S. PATENT DOCUMENTS**

D2,911 S 2/1868 Gautier  
D2,945 S 3/1868 Parker et al.

(Continued)

**OTHER PUBLICATIONS**

Design U.S. Appl. No. 29/380,005, filed Nov. 29, 2010, entitled "Interface Element," Inventor(s): Oliver C. Wenz et al.

(Continued)

*Primary Examiner* — Karen E Kearney

(74) *Attorney, Agent, or Firm* — Edell, Shapiro & Finnan, LLC

(57) **CLAIM**

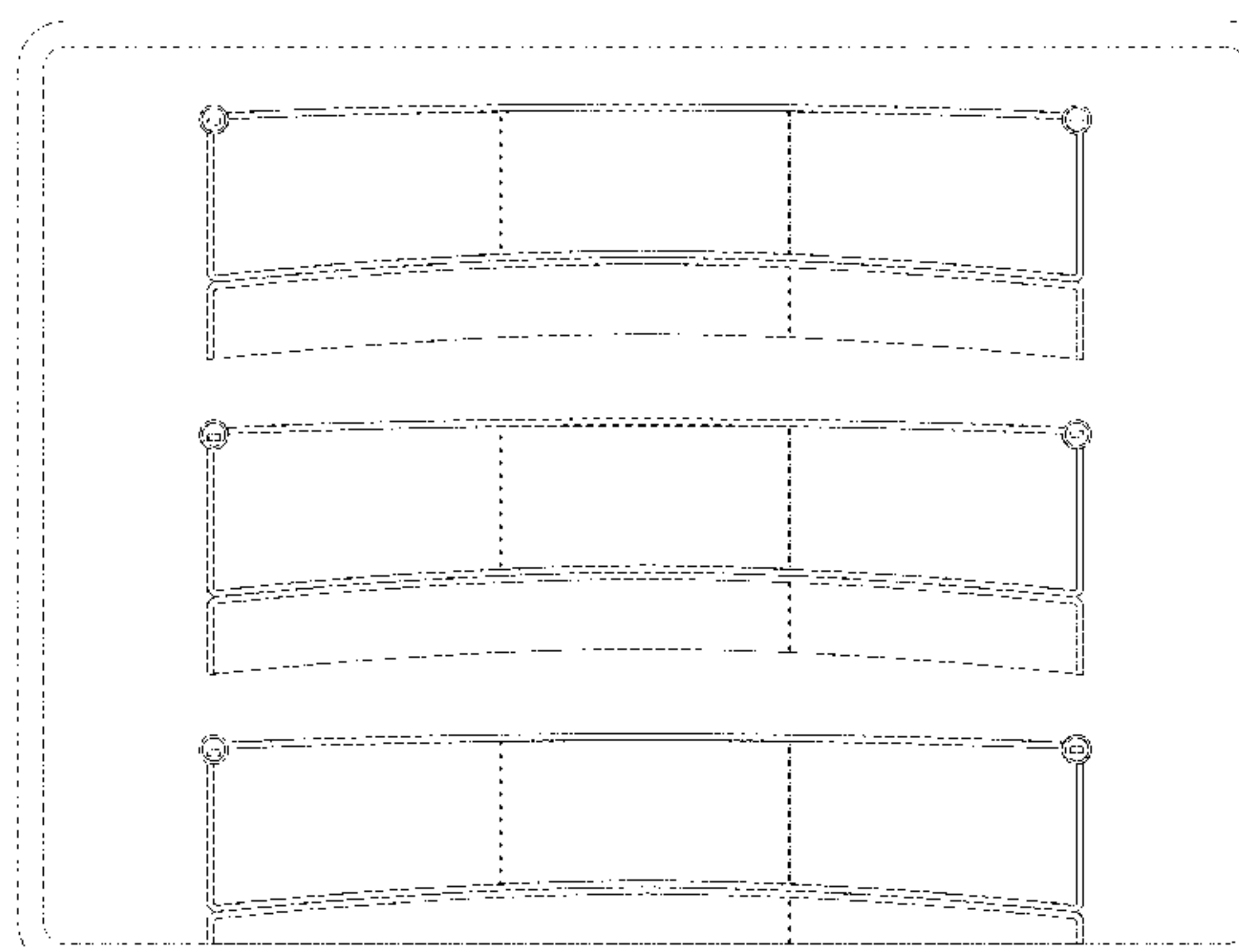
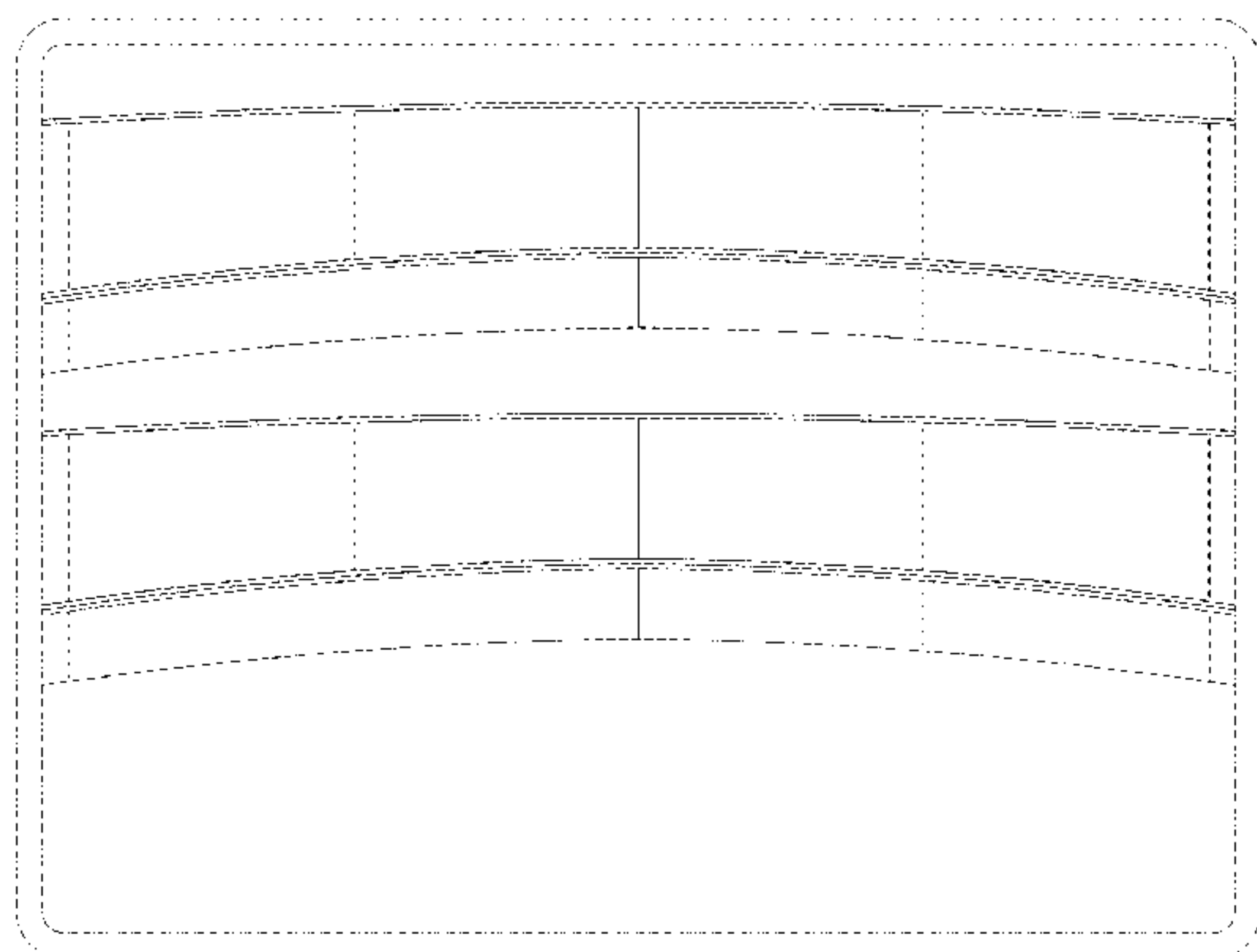
The ornamental design for a display screen with a graphical interface, as shown and described.

**DESCRIPTION**

FIG. 1 is a perspective view illustrating a display screen with a graphical interface according to one embodiment; FIG. 2 is a front view thereof; FIG. 3 is a perspective view illustrating a display screen with a graphical interface according to a second embodiment; FIG. 4 is a front view thereof; FIG. 5 is a perspective view illustrating a display screen with a graphical interface according to a third embodiment; FIG. 6 is a front view thereof; FIG. 7 is a perspective view illustrating a display screen with a graphical interface according to a fourth embodiment; FIG. 8 is a front view thereof; FIG. 9 is a perspective view illustrating a display screen with a graphical interface according to a fifth embodiment; FIG. 10 is a front view thereof; FIG. 11 is a perspective view illustrating a display screen with a graphical interface according to a sixth embodiment; FIG. 12 is a front view thereof; FIG. 13 is a perspective view illustrating a display screen with a graphical interface according to a seventh embodiment; FIG. 14 is a front view thereof; FIG. 15 is a perspective view illustrating a display screen with a graphical interface according to an eighth embodiment; FIG. 16 is a front view thereof; FIG. 17 is a perspective view illustrating a display screen with a graphical interface according to a ninth embodiment; FIG. 18 is a front view thereof; FIG. 19 is a perspective view illustrating a display screen with a graphical interface according to a tenth embodiment; FIG. 20 is a front view thereof; FIG. 21 is a perspective view illustrating a display screen with a graphical interface according to an eleventh embodiment; FIG. 22 is a front view thereof; FIG. 23 is a perspective view illustrating a display screen with a graphical interface according to a twelfth embodiment; and, FIG. 24 is a front view thereof.

The broken line showings of the display screen in all of the figures and of the rectangles in FIGS. 1-8 and 17-24 are included for the purpose of illustrating environmental structure and portions of the article and form no part of the claimed design.

**1 Claim, 24 Drawing Sheets**





(56)

References Cited

U.S. PATENT DOCUMENTS

D10,667 S 5/1878 Ihlenburg  
 3,500,335 A 3/1970 Cuccio  
 5,375,068 A 12/1994 Palmer et al.  
 5,617,539 A 4/1997 Ludwig et al.  
 D388,777 S 1/1998 Newton et al.  
 D391,298 S 2/1998 Johnson et al.  
 D391,558 S 3/1998 Marshall et al.  
 D396,854 S \* 8/1998 Tullis ..... D14/486  
 D398,594 S \* 9/1998 Tullis ..... D14/486  
 D399,836 S \* 10/1998 Wu et al. .... D14/486  
 D400,522 S \* 11/1998 Waldner ..... D14/491  
 D428,614 S 7/2000 Hwang et al.  
 D430,120 S 8/2000 Yasui et al.  
 D437,858 S 2/2001 Yasui et al.  
 D439,585 S 3/2001 Law et al.  
 D440,575 S 4/2001 Wang et al.  
 D449,050 S \* 10/2001 Graham ..... D14/486  
 D450,710 S 11/2001 Yoshioka  
 D458,611 S 6/2002 Gallo  
 D470,153 S 2/2003 Billmaier et al.  
 D490,439 S 5/2004 Kates et al.  
 D492,694 S 7/2004 Kates et al.  
 D494,603 S 8/2004 Kates et al.  
 6,819,344 B2 11/2004 Robbins  
 D499,739 S \* 12/2004 Mansour et al. .... D14/486  
 D500,788 S 1/2005 Kaplan  
 6,901,299 B1 5/2005 Whitehead et al.  
 D506,472 S 6/2005 Tyner et al.  
 6,907,447 B1 6/2005 Cooperman et al.  
 D507,576 S 7/2005 Hally et al.  
 7,013,429 B2 3/2006 Fujimoto et al.  
 7,124,164 B1 10/2006 Chemtob  
 D537,834 S 3/2007 Agarwal et al.  
 D541,291 S 4/2007 Zhou et al.  
 D545,834 S \* 7/2007 Anthony et al. .... D14/488  
 D545,835 S 7/2007 Anthony et al.  
 D546,343 S 7/2007 Anthony et al.  
 7,243,299 B1 7/2007 Rubin et al.  
 D548,743 S 8/2007 Takahashi et al.  
 D549,713 S 8/2007 Lewin et al.  
 D552,115 S 10/2007 Suzuki  
 D554,652 S 11/2007 Shen et al.  
 7,305,436 B2 12/2007 Willis  
 D561,197 S 2/2008 Okaro et al.  
 D562,838 S 2/2008 Salunkhe  
 D563,968 S 3/2008 Lewin et al.  
 7,343,561 B1 3/2008 Stochosky et al.  
 7,360,172 B2 4/2008 Grossman et al.  
 D568,329 S 5/2008 Park et al.  
 D569,872 S 5/2008 Suzuki  
 D570,859 S 6/2008 Hsiao et al.  
 7,386,784 B2 6/2008 Capps et al.  
 7,386,798 B1 6/2008 Heikes et al.  
 D580,942 S 11/2008 Oshiro et al.  
 7,464,137 B2 12/2008 Zhu et al.  
 D586,359 S 2/2009 Makoski et al.  
 7,496,499 B2 2/2009 Asada  
 D593,571 S 6/2009 Ball et al.  
 D594,467 S 6/2009 Kase  
 D595,728 S \* 7/2009 Scheibe et al. .... D14/486  
 7,577,913 B1 8/2009 Donoho  
 7,581,195 B2 \* 8/2009 Sciammarella et al. .... 715/838  
 D600,249 S 9/2009 Nagata et al.  
 D600,711 S 9/2009 LaManna et al.  
 D601,582 S 10/2009 Chaudhri et al.  
 D603,420 S 11/2009 Channell  
 D604,322 S 11/2009 Hoefnagels  
 D604,742 S 11/2009 Nagata et al.  
 D605,199 S 12/2009 Nagata et al.  
 D614,191 S 4/2010 Takano et al.  
 D619,612 S \* 7/2010 Pueyo et al. .... D14/487  
 D624,930 S 10/2010 Agnetta et al.  
 D630,224 S 1/2011 Allen  
 7,865,834 B1 1/2011 van Os et al.  
 D633,921 S 3/2011 Brinda

D636,401 S 4/2011 Vance et al.  
 D637,605 S 5/2011 Brinda  
 D638,432 S 5/2011 Flik et al.  
 D642,586 S 8/2011 Jones et al.  
 D648,741 S 11/2011 Lemay  
 D652,840 S 1/2012 Morsa  
 D656,507 S 3/2012 Jones et al.  
 D660,864 S 5/2012 Anzures et al.  
 D681,657 S \* 5/2013 Deng ..... D14/486  
 D684,985 S \* 6/2013 Wenz et al. .... D14/485  
 D684,986 S \* 6/2013 Wenz et al. .... D14/485  
 D684,991 S \* 6/2013 Wenz et al. .... D14/488  
 D684,992 S \* 6/2013 Wenz et al. .... D14/488  
 D684,993 S \* 6/2013 Wenz et al. .... D14/488  
 D684,996 S \* 6/2013 Wenz et al. .... D14/488  
 D690,309 S \* 9/2013 Wenz et al. .... D14/485  
 D690,319 S \* 9/2013 Wenz et al. .... D14/488  
 D690,712 S \* 10/2013 Wenz et al. .... D14/485  
 D691,613 S \* 10/2013 Wenz et al. .... D14/485  
 D692,016 S \* 10/2013 Oda et al. .... D14/485  
 D692,018 S \* 10/2013 Wenz et al. .... D14/488  
 2001/0028369 A1 10/2001 Gallo et al.  
 2003/0061285 A1 3/2003 Usui et al.  
 2003/0090474 A1 5/2003 Schaefer  
 2004/0064510 A1 4/2004 Ooi et al.  
 2004/0080534 A1 4/2004 Quach  
 2005/0091596 A1 \* 4/2005 Anthony et al. .... 715/712  
 2005/0166154 A1 7/2005 Wilson et al.  
 2005/0262542 A1 11/2005 DeWeese et al.  
 2007/0192728 A1 8/2007 Finley et al.  
 2007/0300164 A1 12/2007 Bhogal et al.  
 2008/0244419 A1 10/2008 Kurpick et al.  
 2008/0307385 A1 \* 12/2008 Dreiling et al. .... 717/108  
 2009/0037827 A1 2/2009 Bennetts  
 2009/0089683 A1 4/2009 Thapa  
 2009/0157709 A1 6/2009 Kruger et al.  
 2009/0177975 A1 7/2009 Elgar et al.  
 2009/0234721 A1 9/2009 Bigelow et al.  
 2009/0254843 A1 10/2009 Van Wie et al.  
 2010/0073454 A1 3/2010 Lovhaugen et al.  
 2010/0122183 A1 5/2010 Babaian et al.  
 2011/0035687 A1 2/2011 Katis et al.  
 2011/0320044 A1 12/2011 Smith et al.

OTHER PUBLICATIONS

Design U.S. Appl. No. 29/380,007, filed Nov. 29, 2010, entitled "Interface Element," Inventor(s): Oliver C. Wenz et al.  
 Design U.S. Appl. No. 29/380,008, filed Nov. 29, 2010, entitled "Interface Element," Inventor(s): Oliver C. Wenz et al.  
 Design U.S. Appl. No. 29/380,011, filed Nov. 29, 2010, entitled "Interface Element," Inventor(s): Oliver C. Wenz et al.  
 Design U.S. Appl. No. 29/380,012, filed Nov. 29, 2010, entitled "Interface Element," Inventor(s): Oliver C. Wenz et al.  
 Design U.S. Appl. No. 29/380,014, filed Nov. 29, 2010, entitled "Interface Element," Inventor(s): Oliver C. Wenz et al.  
 Design U.S. Appl. No. 29/380,017, filed Nov. 29, 2010, entitled "Interface Element," Inventor(s): Oliver C. Wenz et al.  
 Design U.S. Appl. No. 29/380,018, filed Nov. 29, 2010, entitled "Interface Element," Inventor(s): Oliver C. Wenz et al.  
 Design U.S. Appl. No. 29/380,021, filed Nov. 29, 2010, entitled "Interface Element," Inventor(s): Oliver C. Wenz et al.  
 Design U.S. Appl. No. 29/380,022, filed Nov. 29, 2010, entitled "Interface Element," Inventor(s): Oliver C. Wenz et al.  
 Design U.S. Appl. No. 29/380,023, filed Nov. 29, 2010, entitled "Interface Element," Inventor(s): Oliver C. Wenz et al.  
 U.S. Appl. No. 29/380,014, filed Nov. 29, 2010, entitled "Interface Element," Inventor(s): Oliver C. Wenz et al.  
 U.S. Appl. No. 29/380,017, filed Nov. 29, 2010, entitled "Interface Element," Inventor(s): Oliver C. Wenz et al.  
 U.S. Appl. No. 29/380,018, filed Nov. 29, 2010, entitled "Interface Element," Inventor(s): Oliver C. Wenz et al.  
 U.S. Appl. No. 29/380,021, filed Nov. 29, 2010, entitled "Interface Element," Inventor(s): Oliver C. Wenz et al.  
 U.S. Appl. No. 29/380,022, filed Nov. 29, 2010, entitled "Interface Element," Inventor(s): Oliver C. Wenz et al.

(56)

**References Cited**

OTHER PUBLICATIONS

U.S. Appl. No. 29/380,023, filed Nov. 29, 2010, entitled "Interface Element," Inventor(s): Oliver C. Wenz et al.

Vizard, Mike, "Intel CEO Demos Video Conferencing on a Smartphone," CTO Edge, Jan. 8, 2010; 2 pages; <http://www.ctoedge.com/content/intel-ceo-demos-video-conferencing-smartphone>.

\* cited by examiner

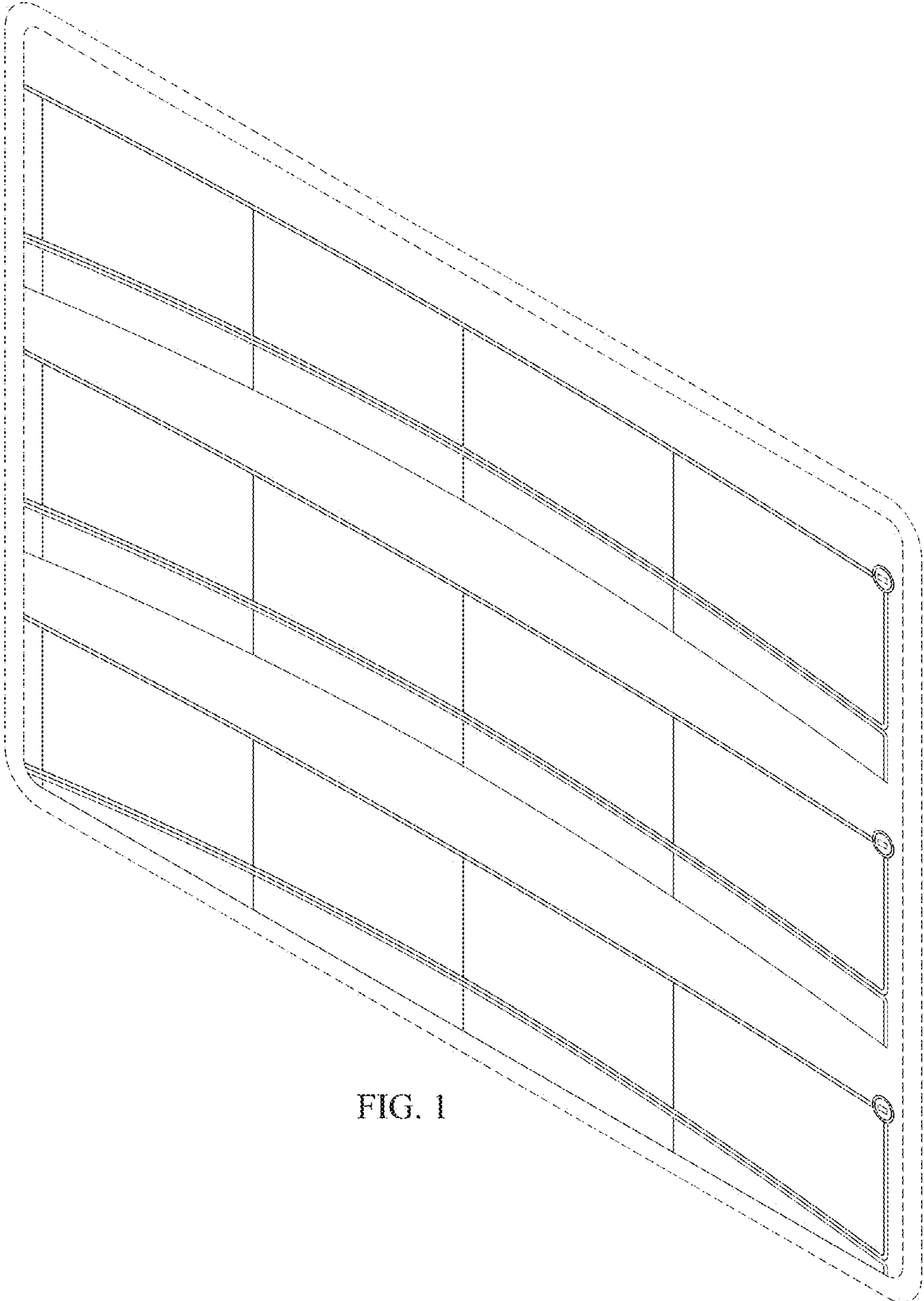


FIG. 1



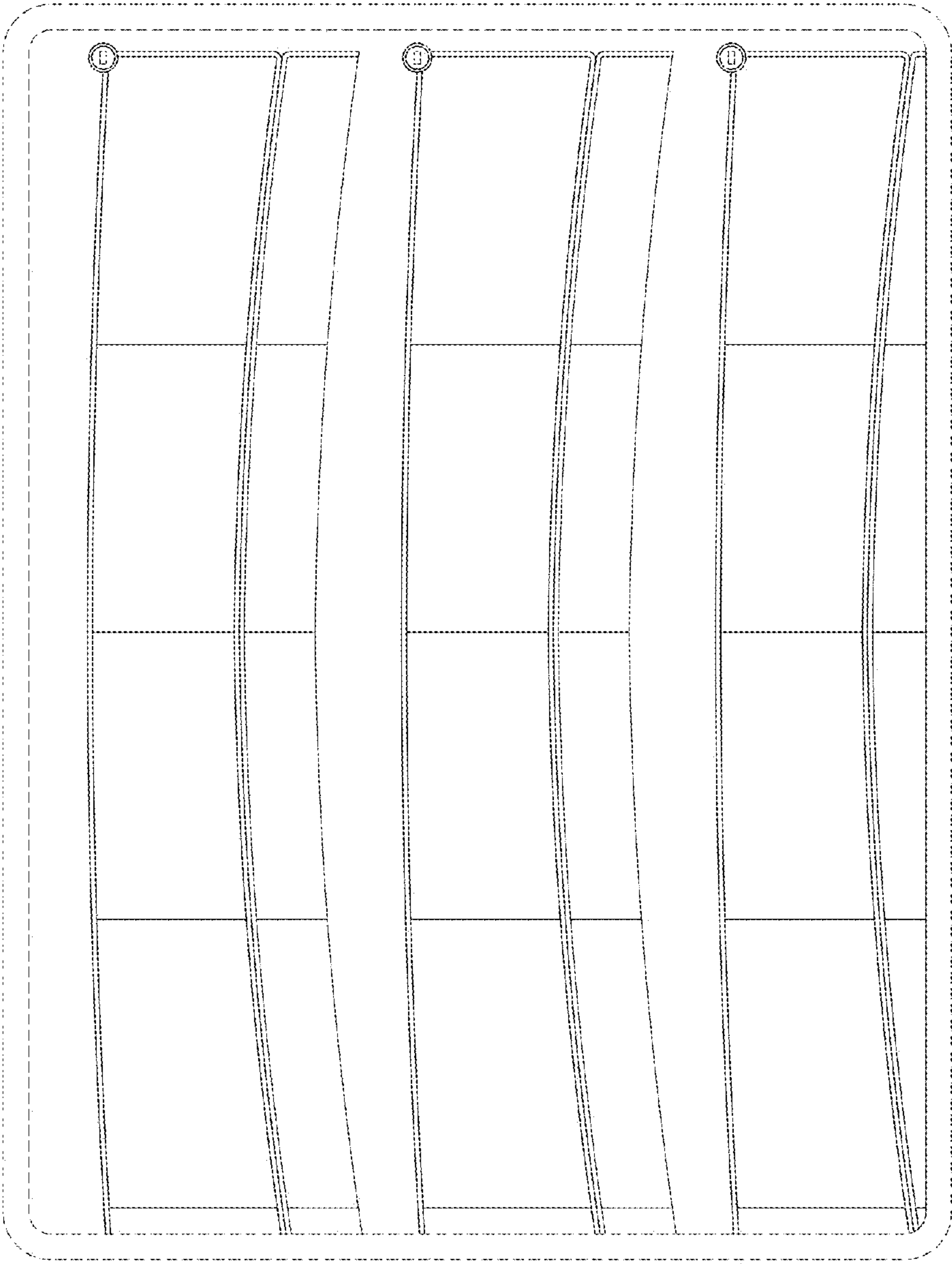


FIG. 2

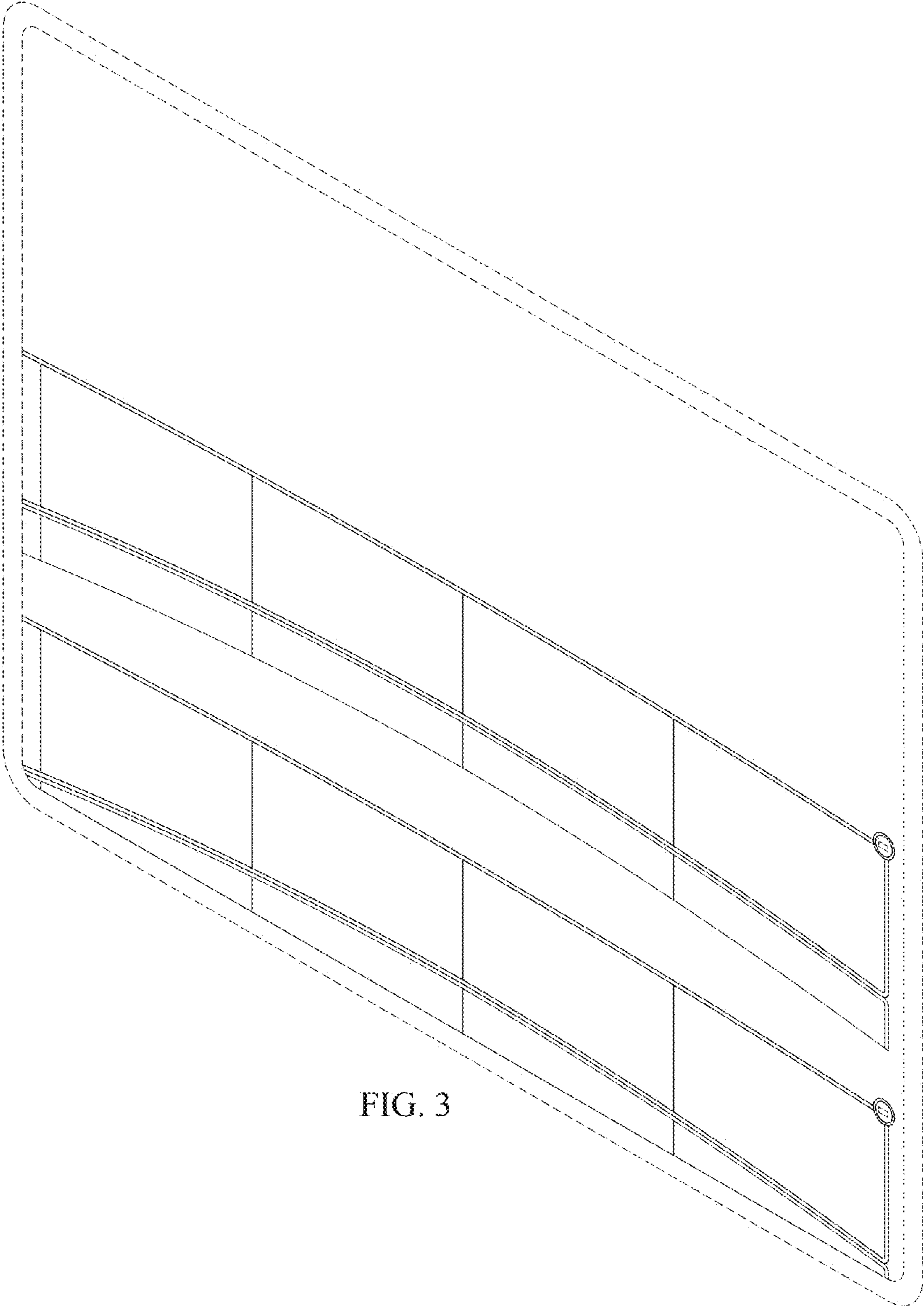


FIG. 3

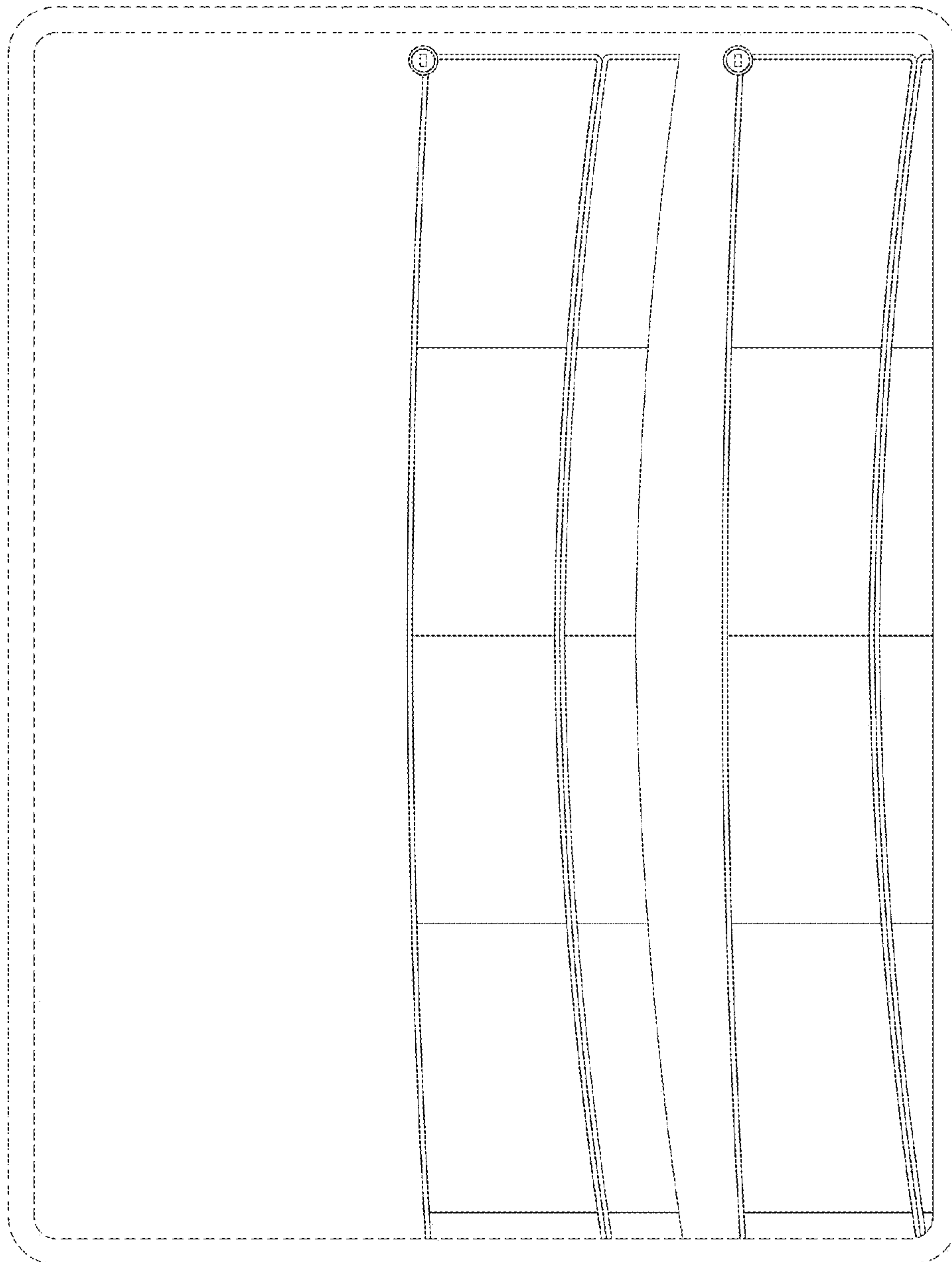


FIG. 4

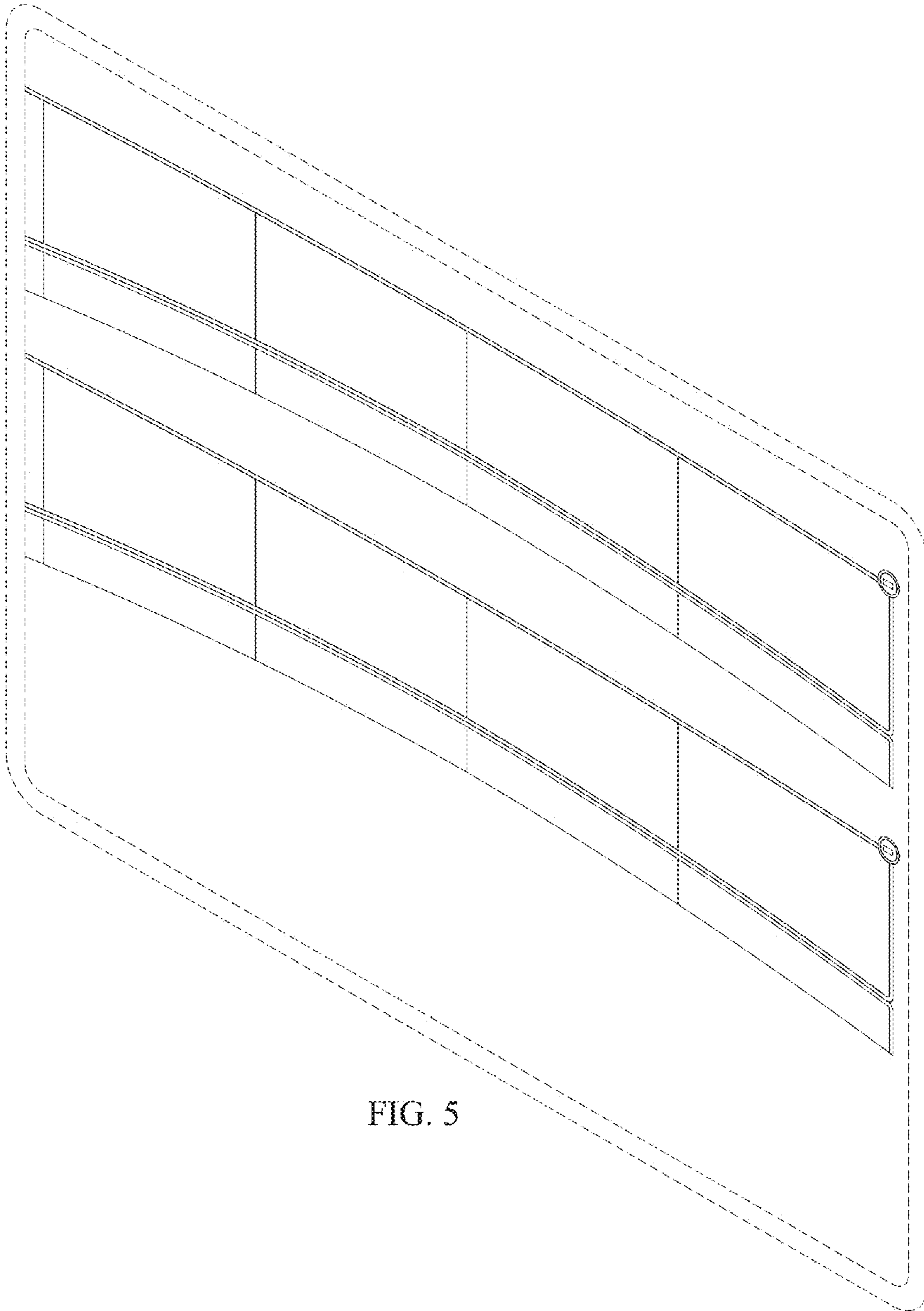


FIG. 5



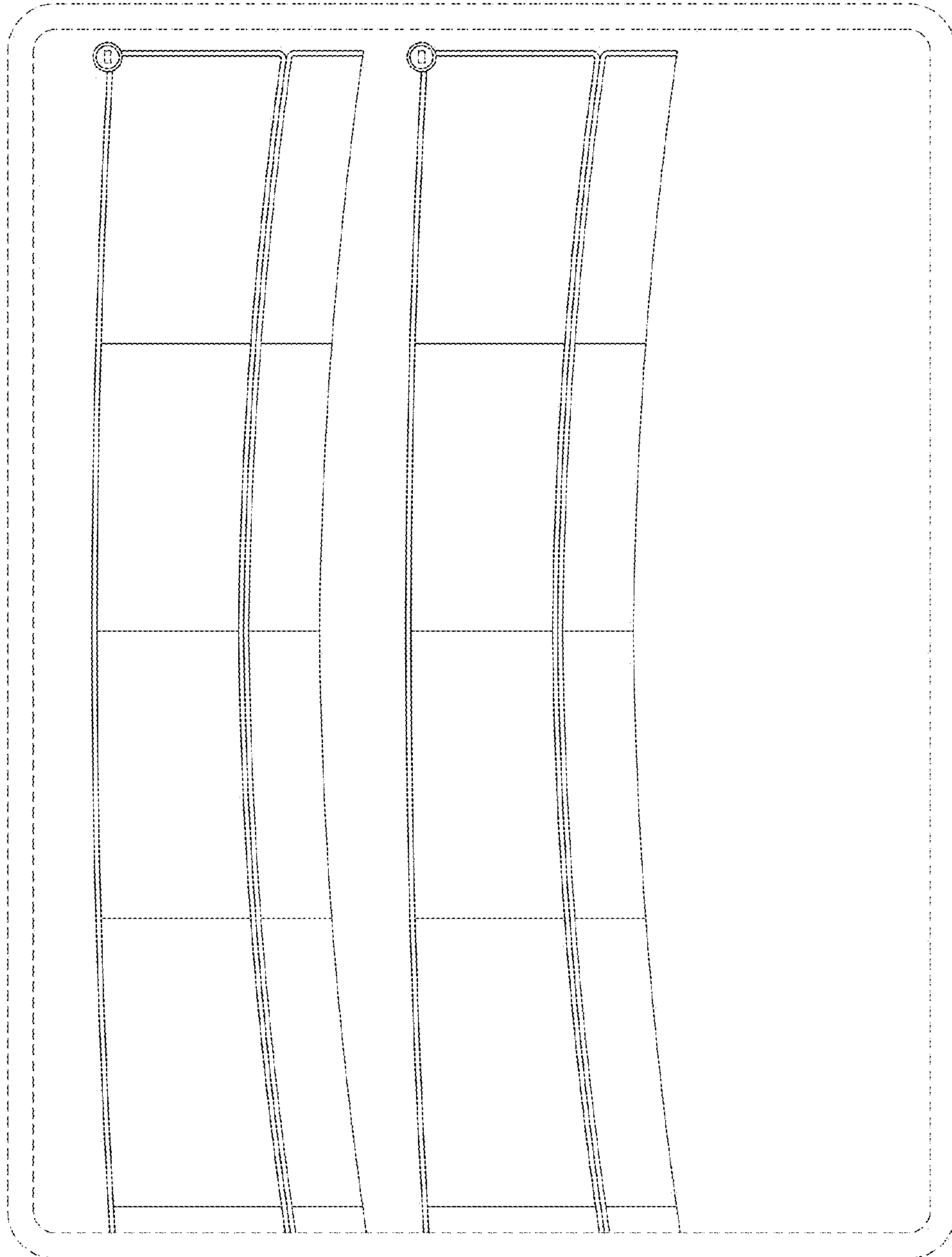


FIG. 6

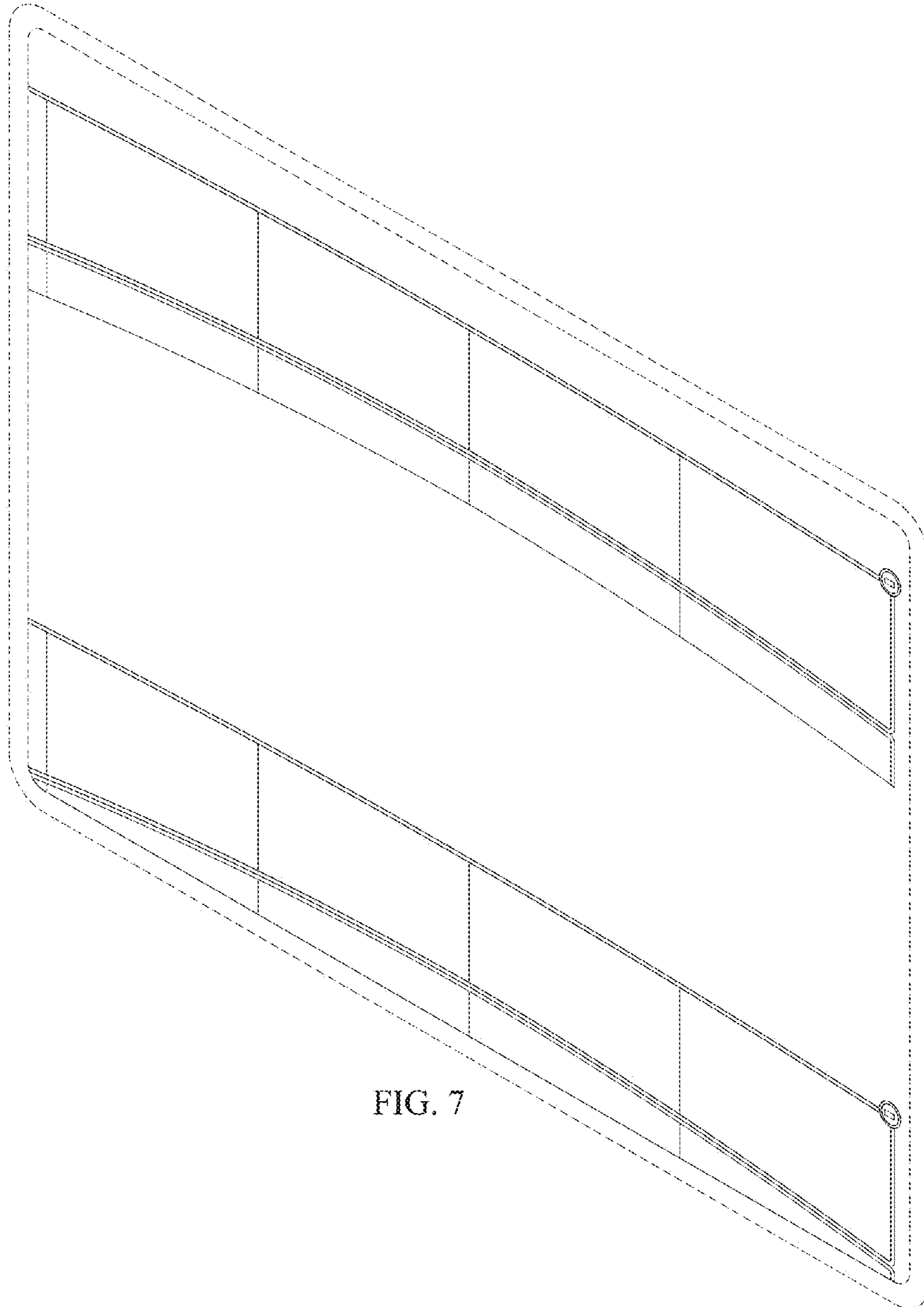


FIG. 7

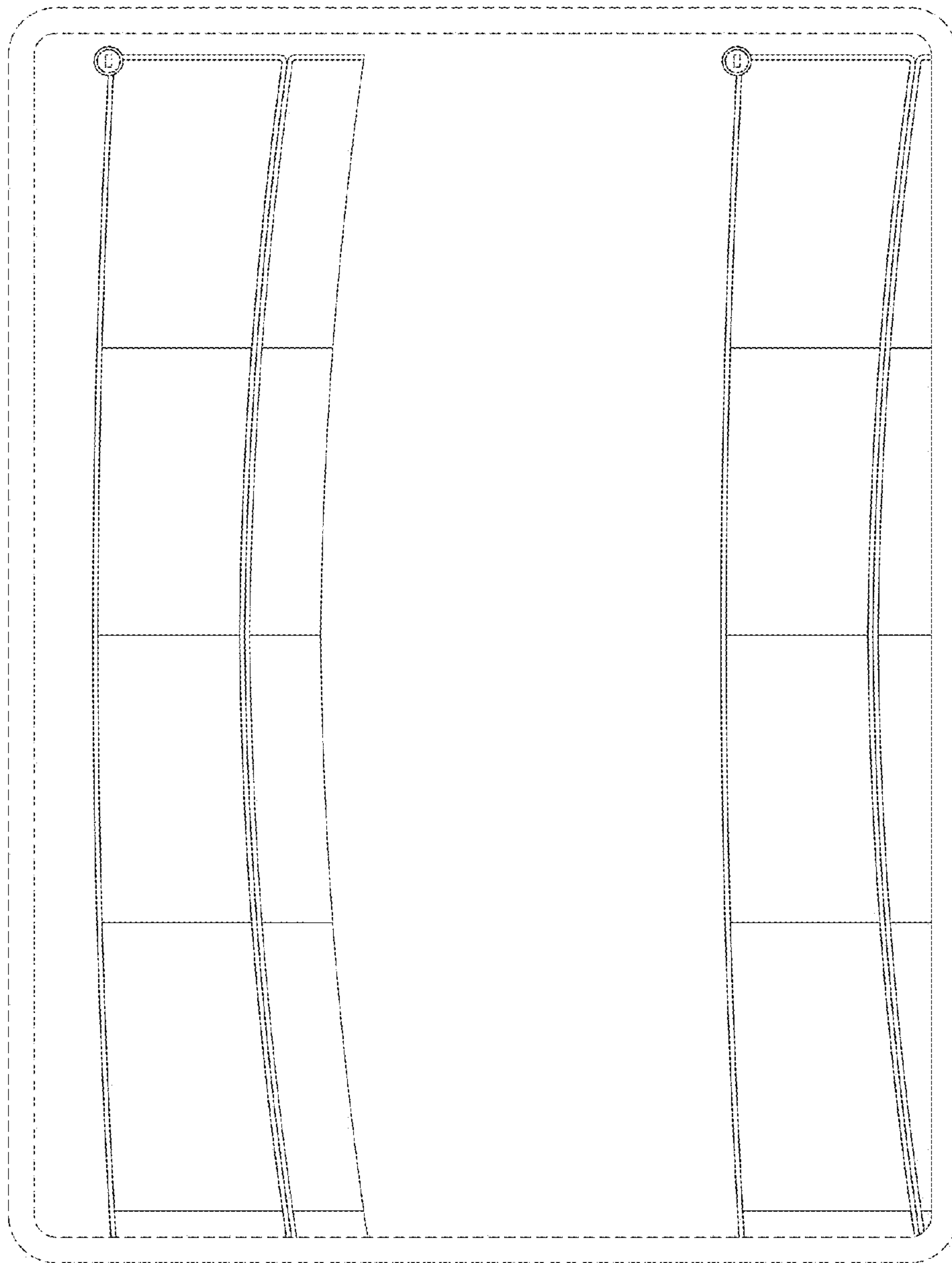


FIG. 8



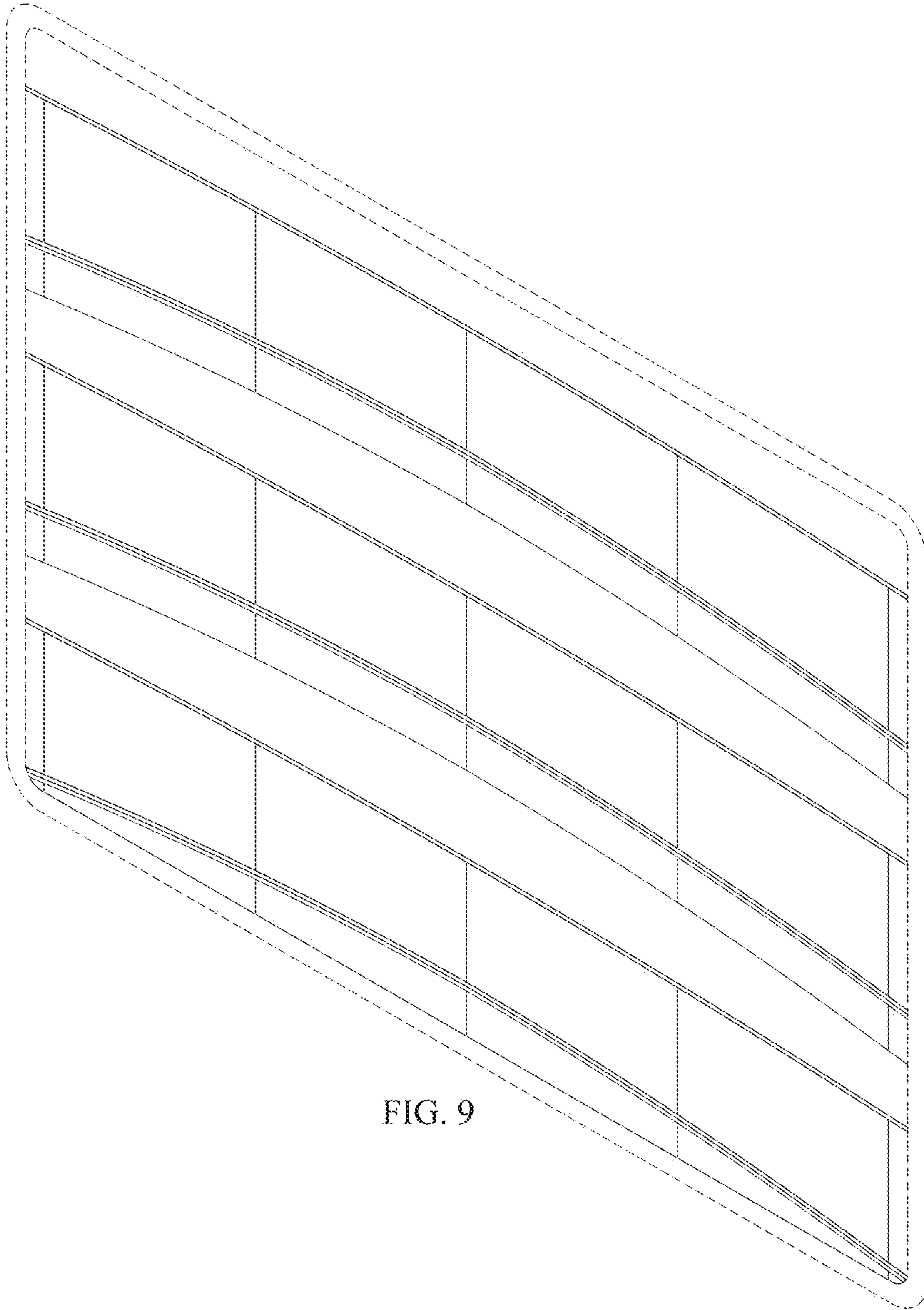


FIG. 9

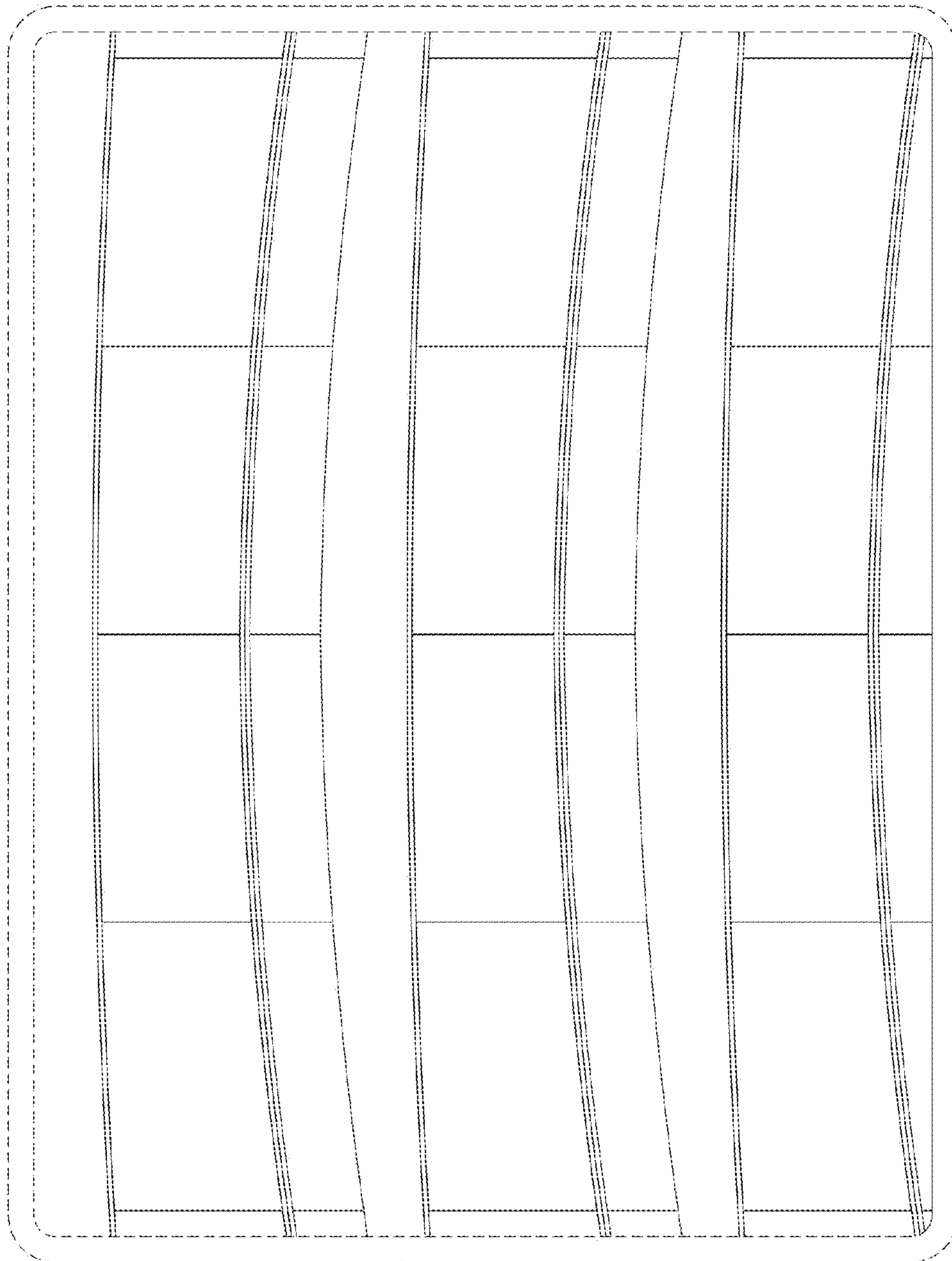


FIG. 10

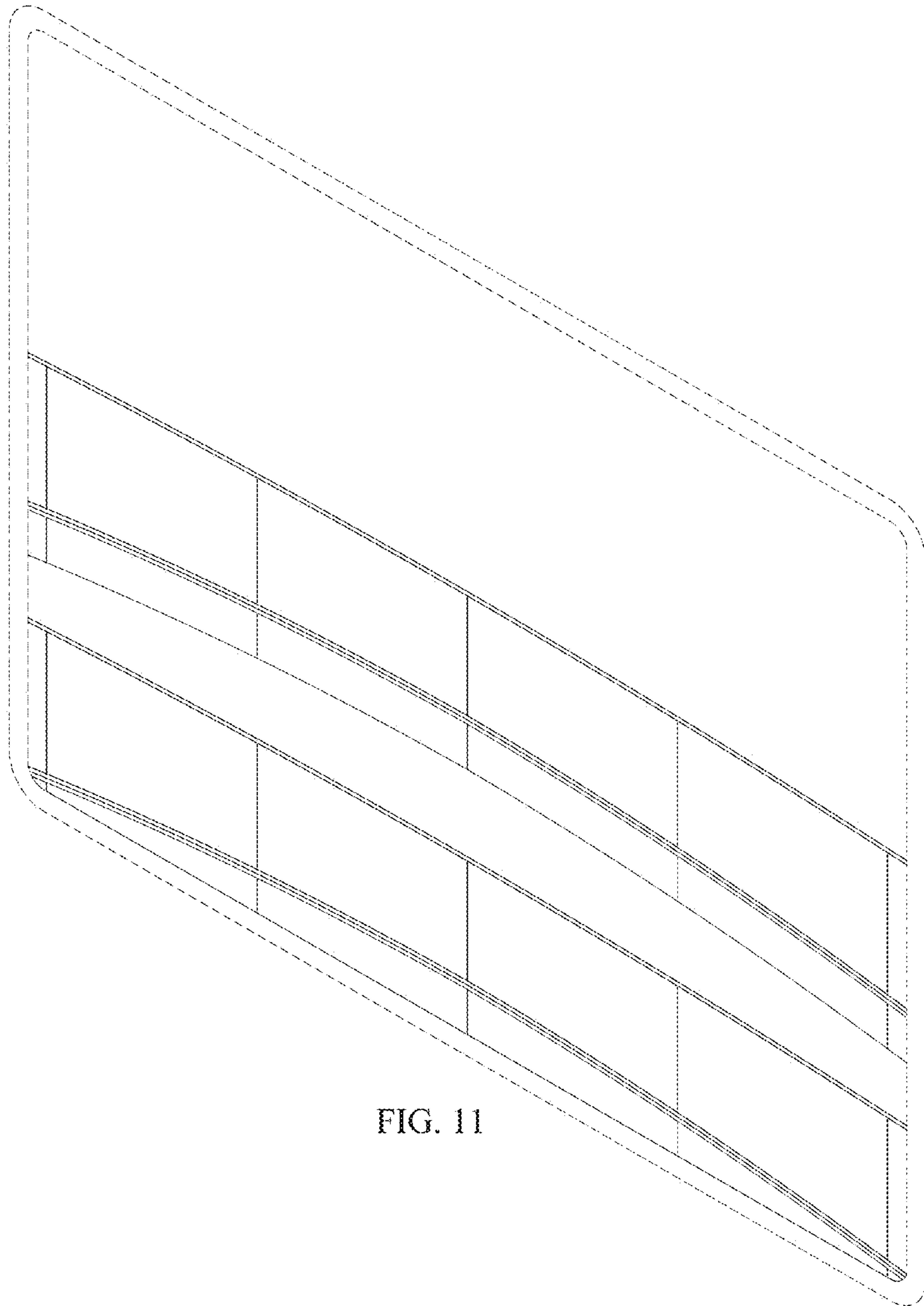


FIG. 11



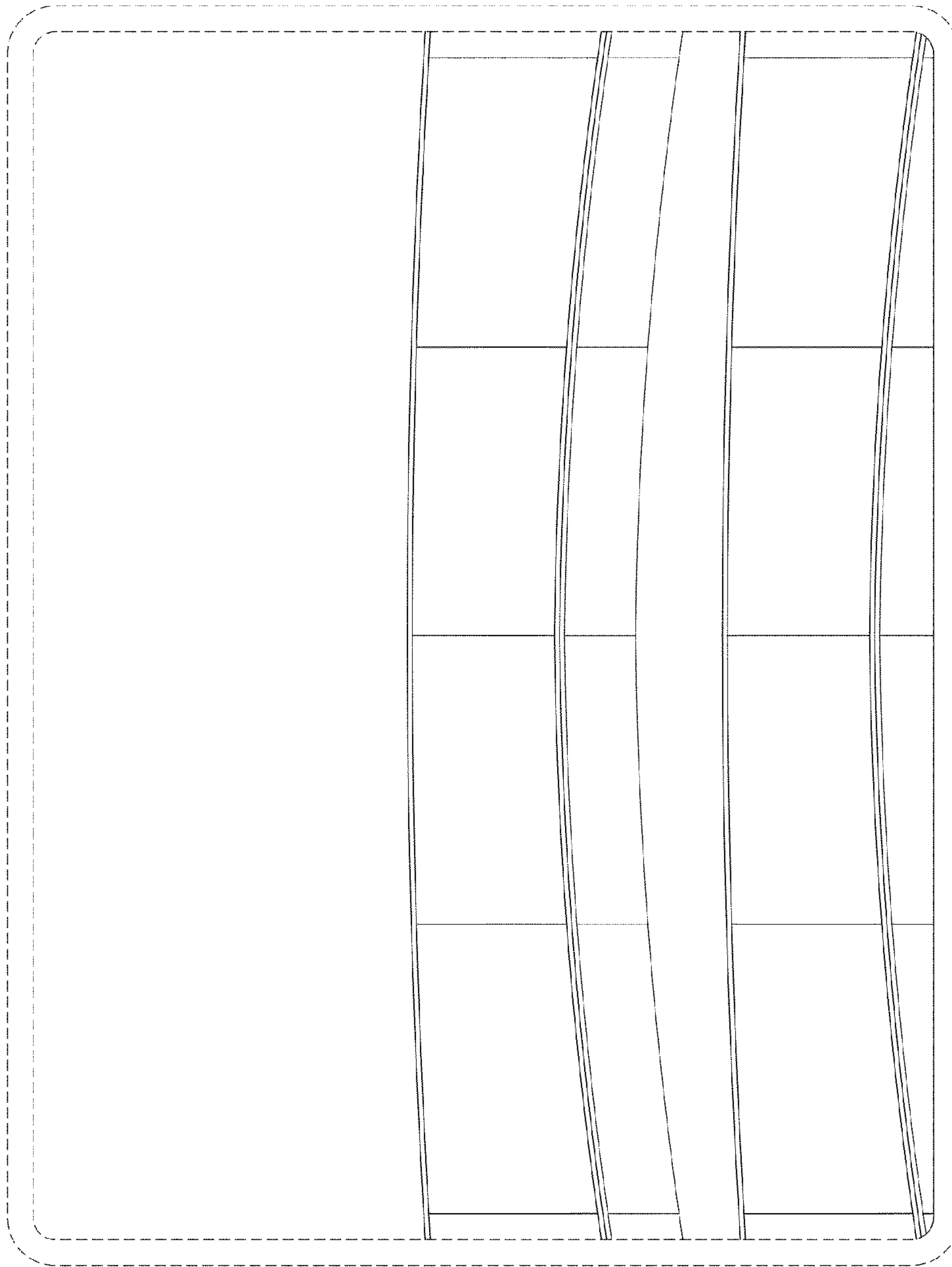


FIG. 12

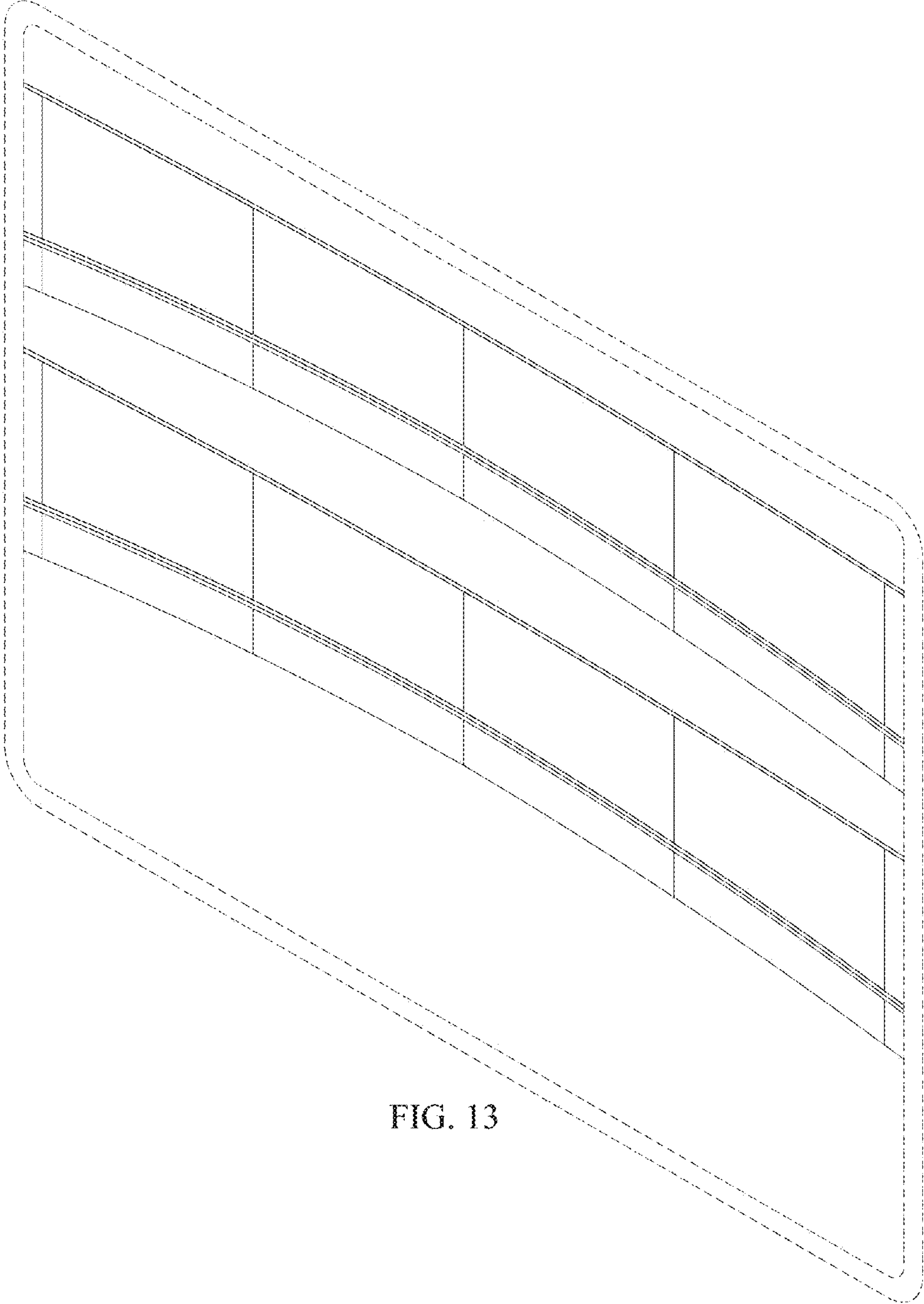


FIG. 13

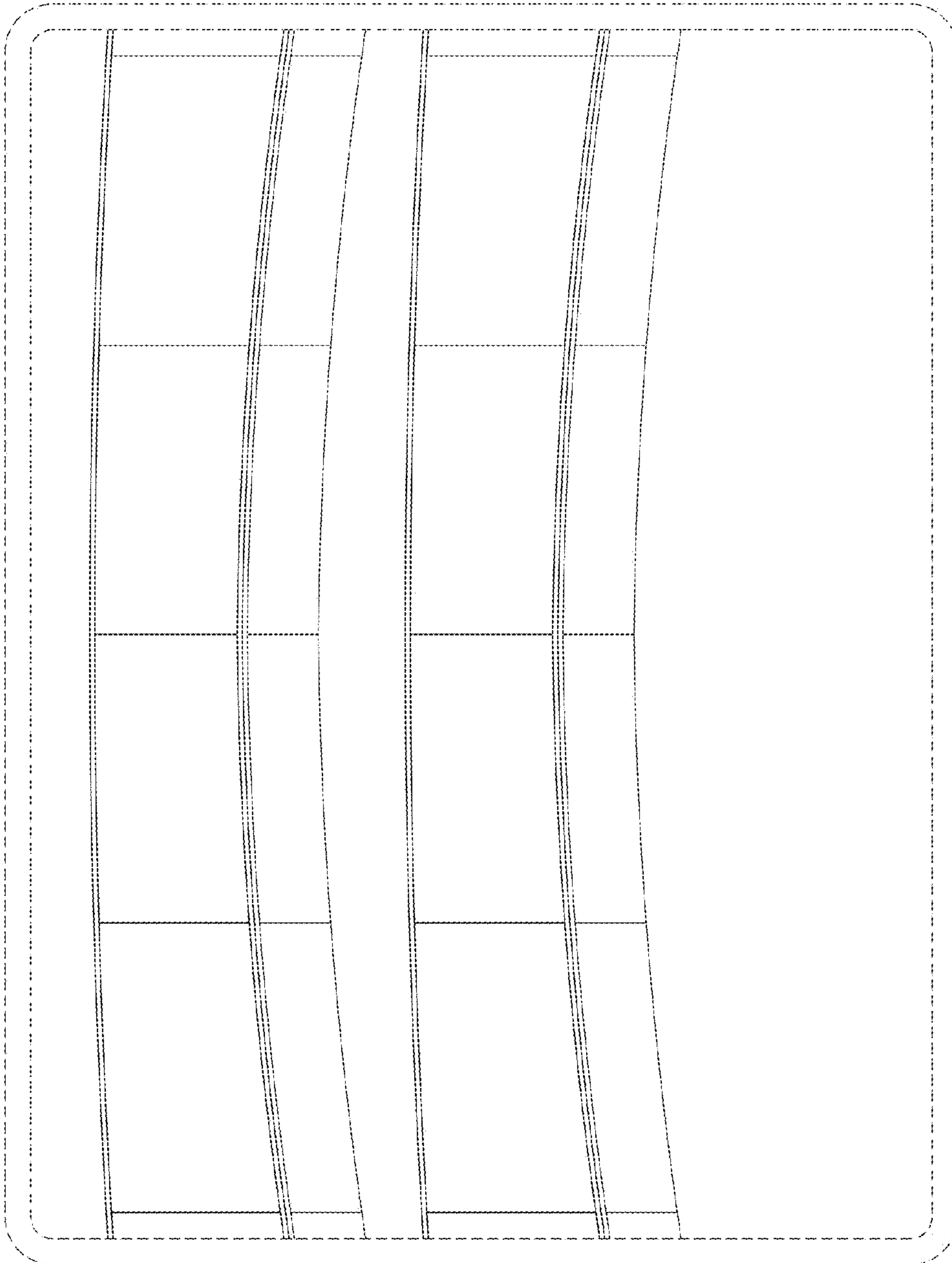


FIG. 14



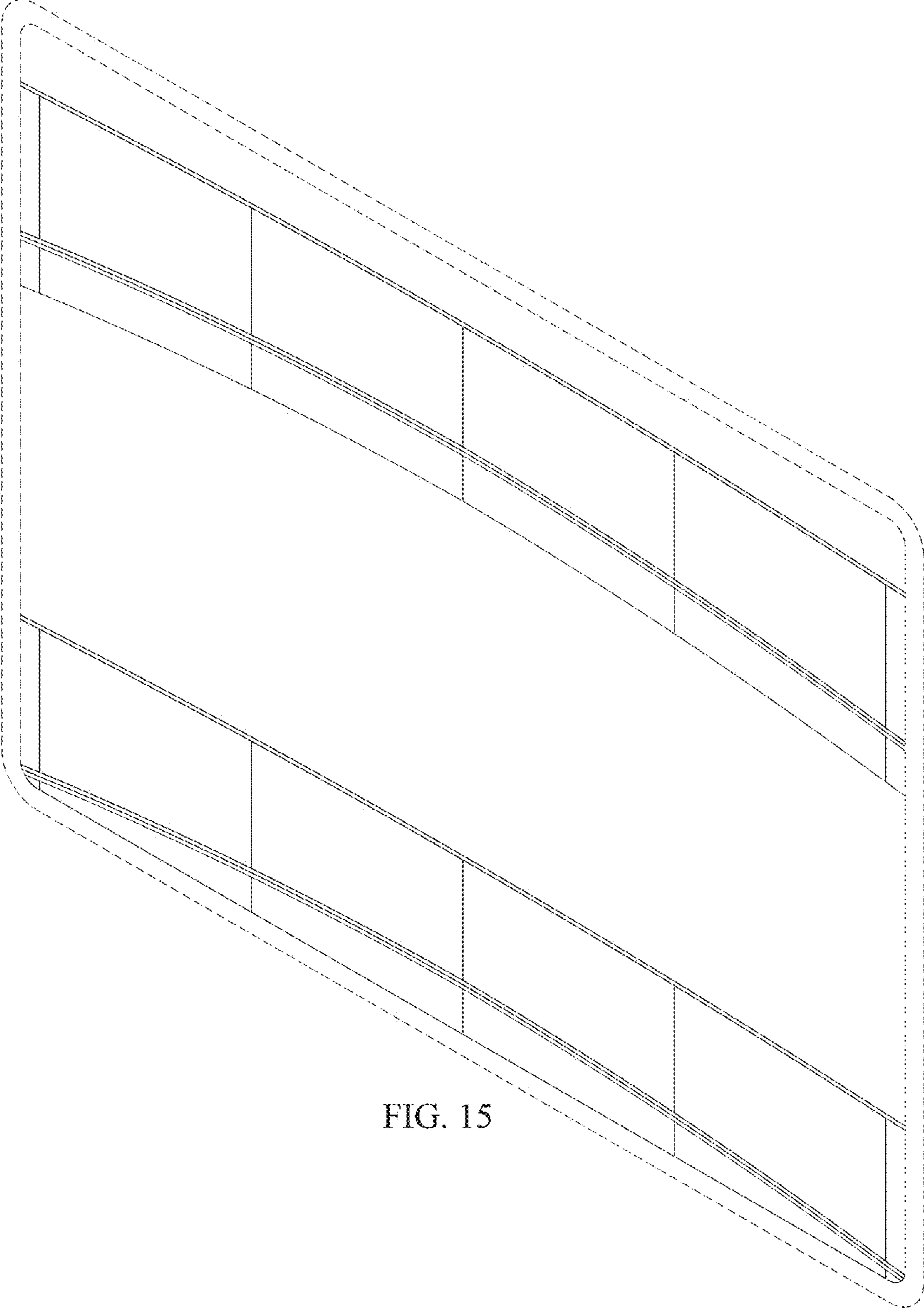


FIG. 15

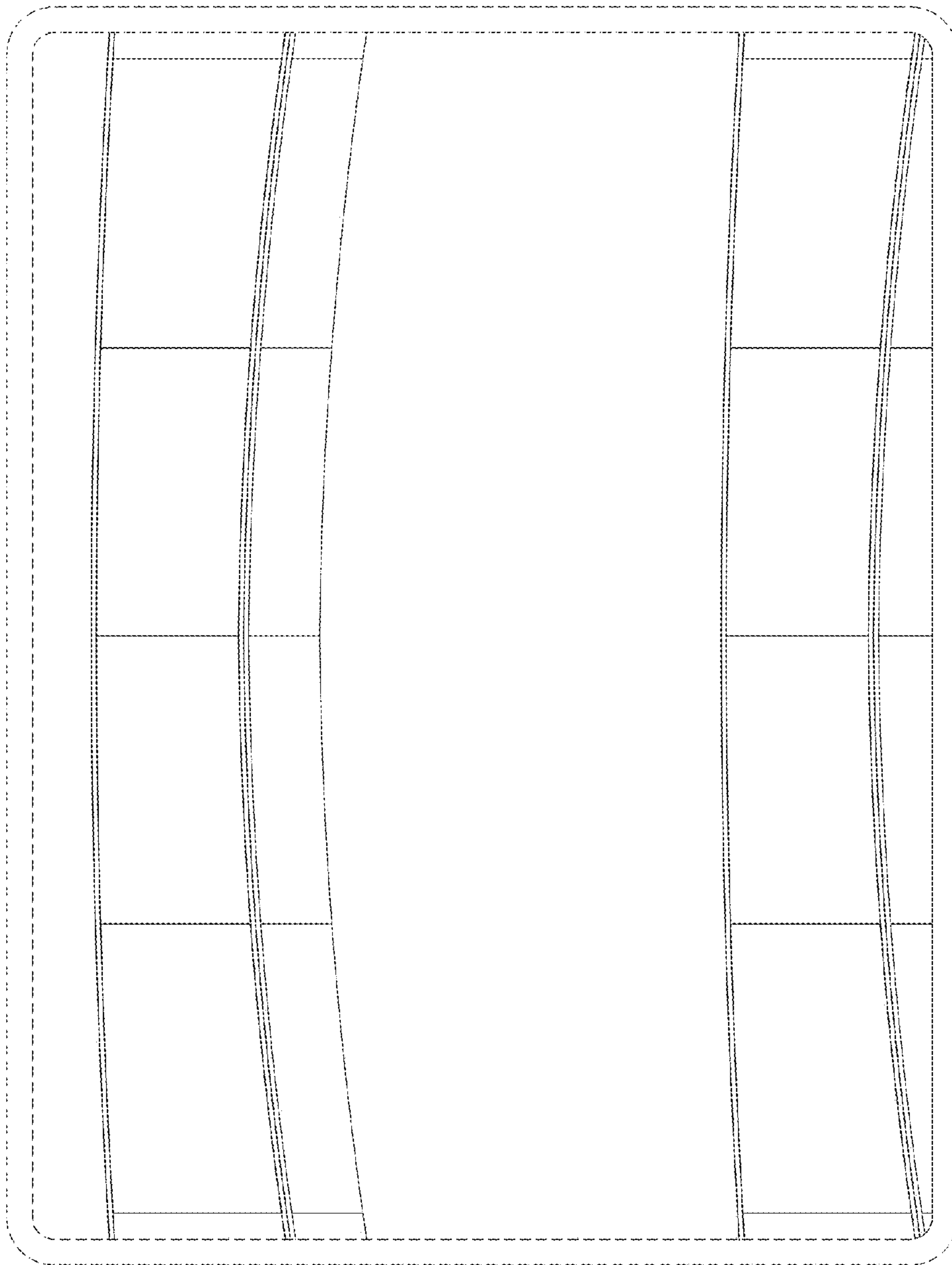


FIG. 16

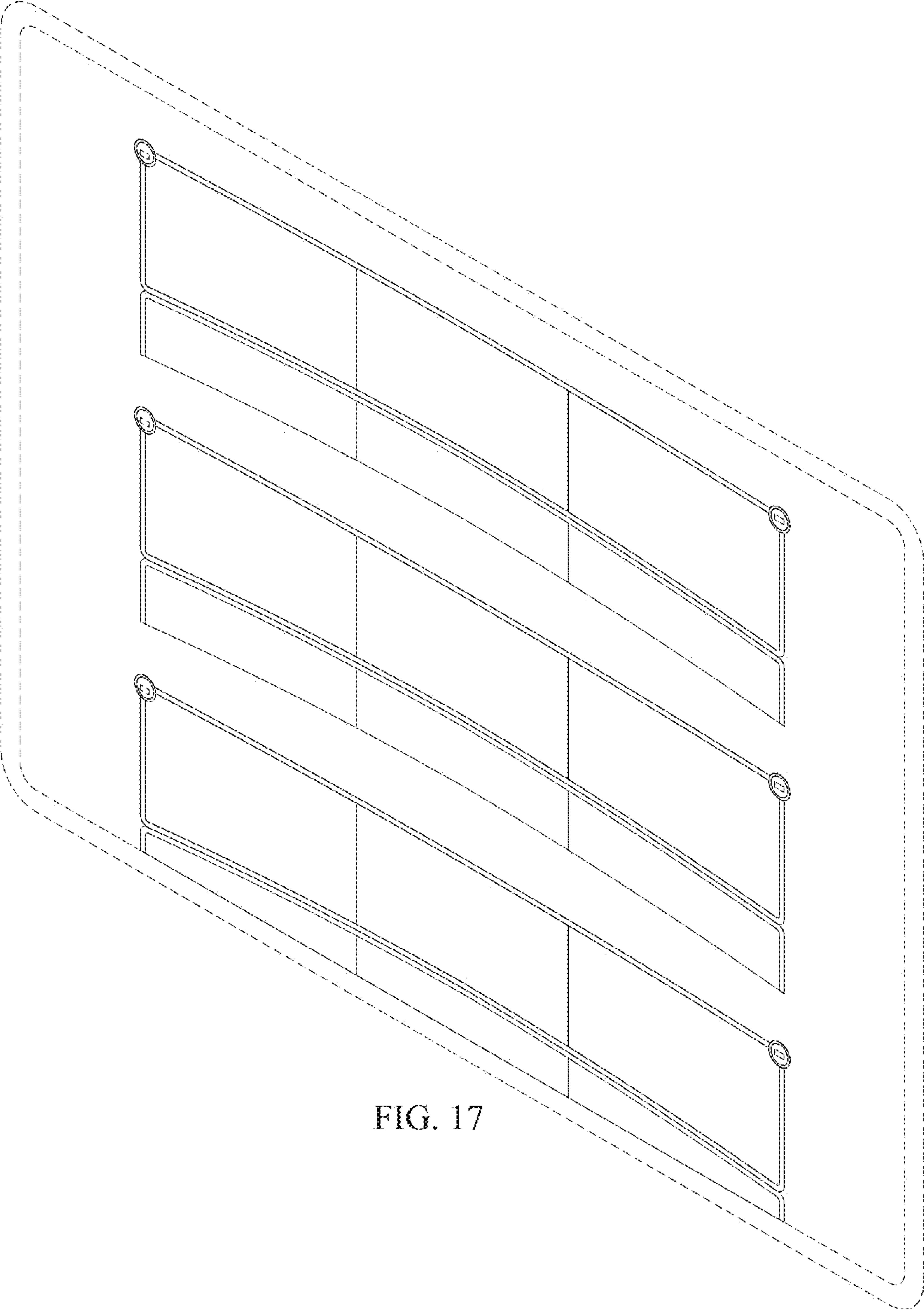


FIG. 17



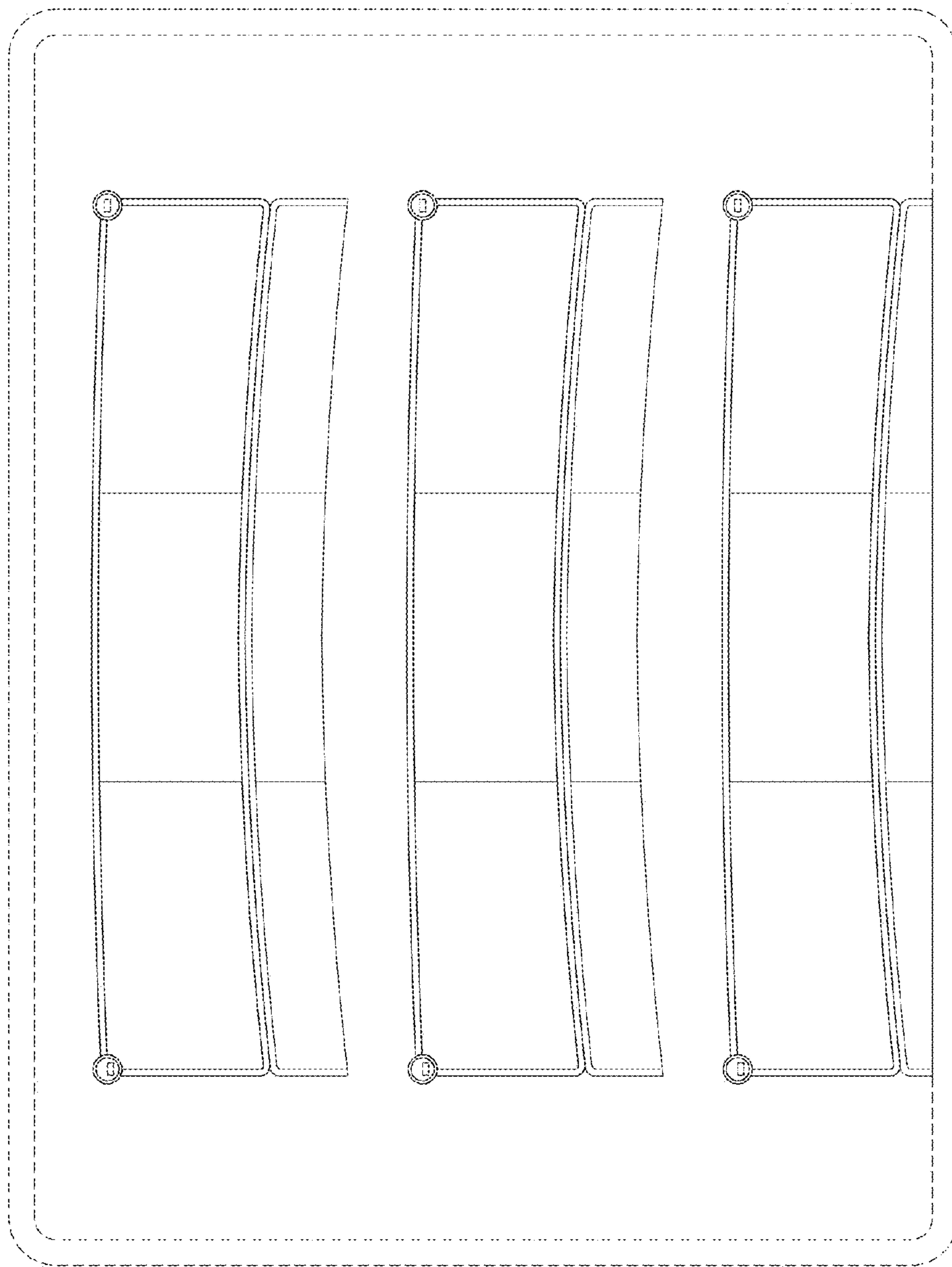


FIG. 18

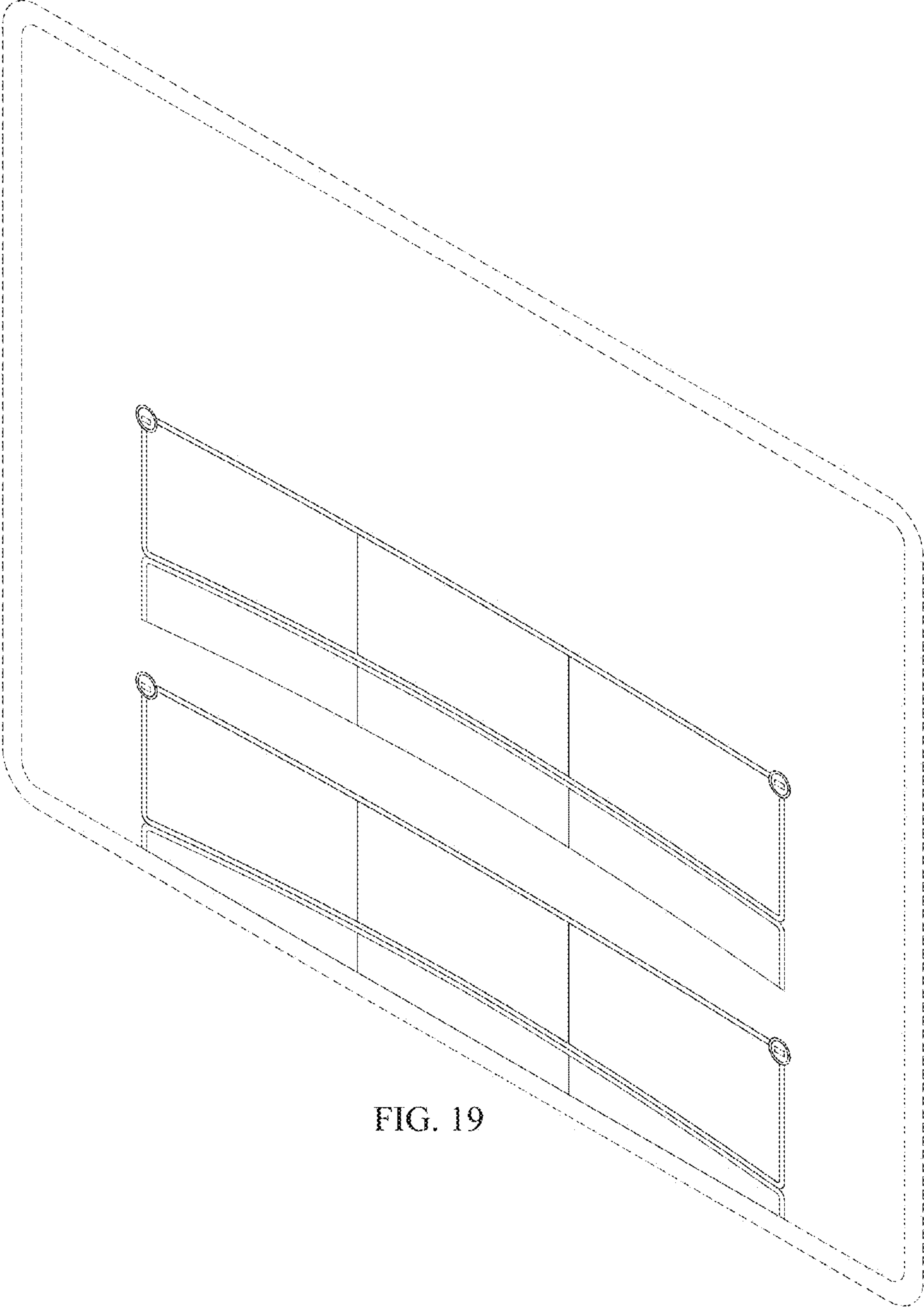


FIG. 19

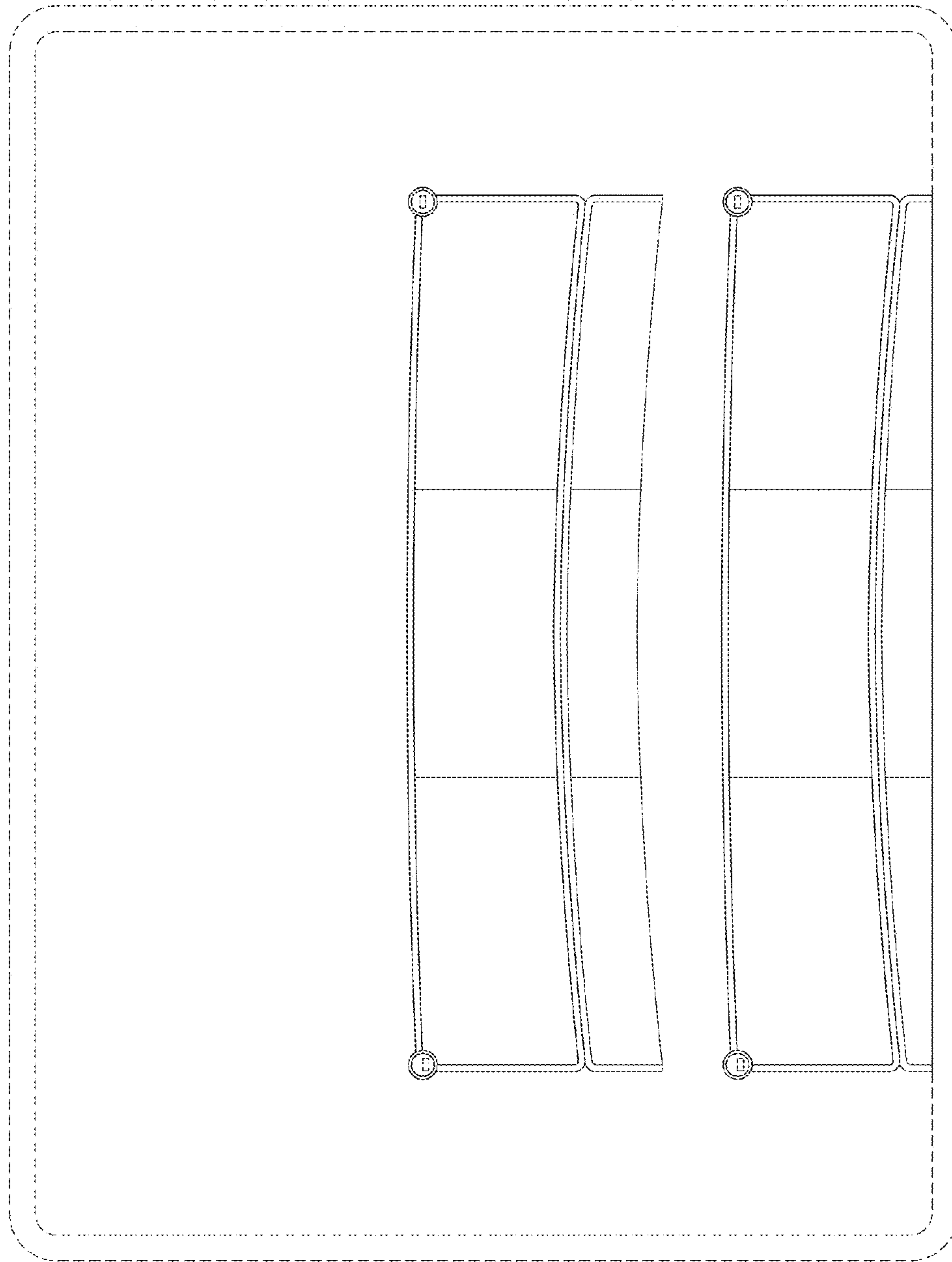


FIG. 20

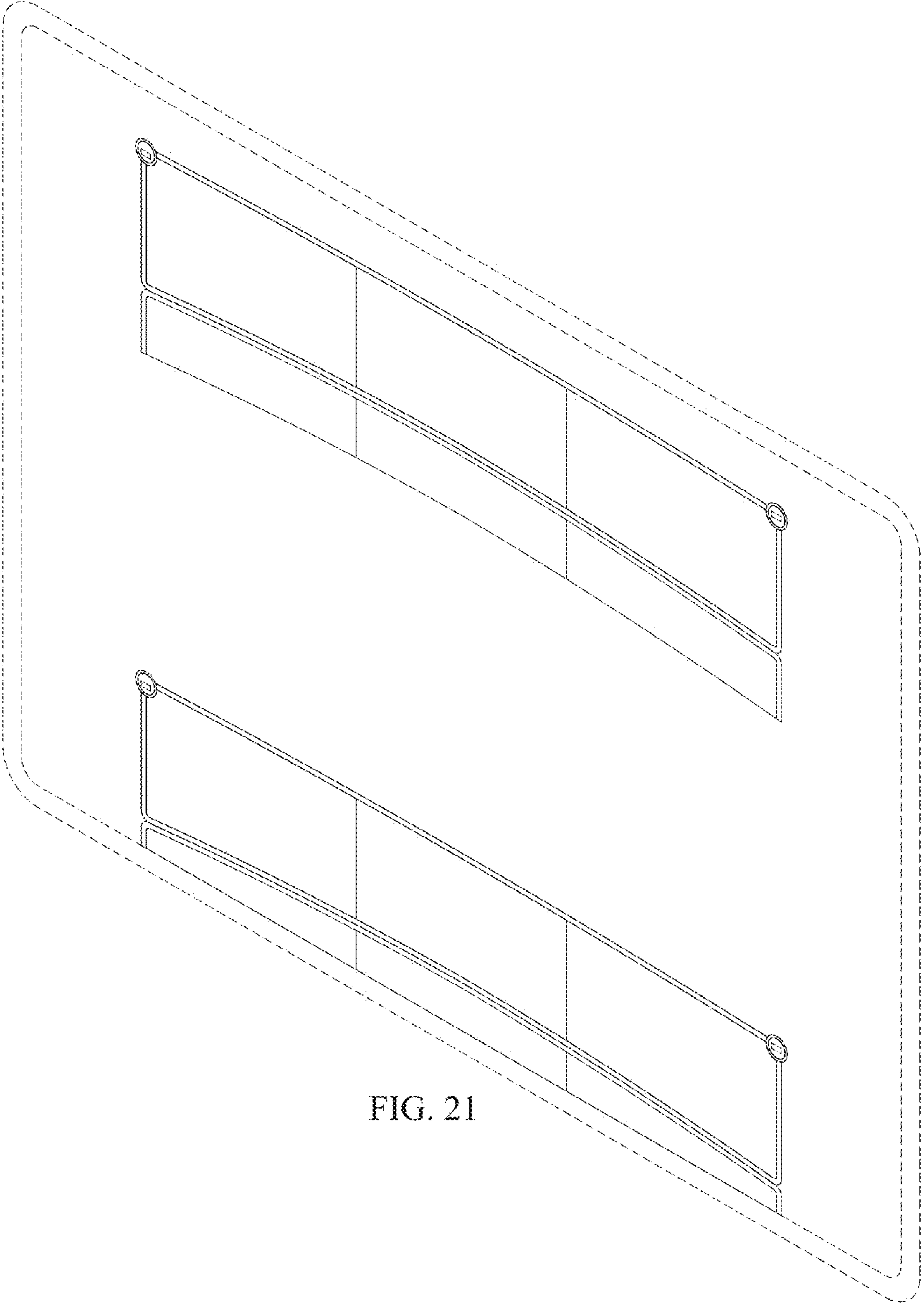


FIG. 21



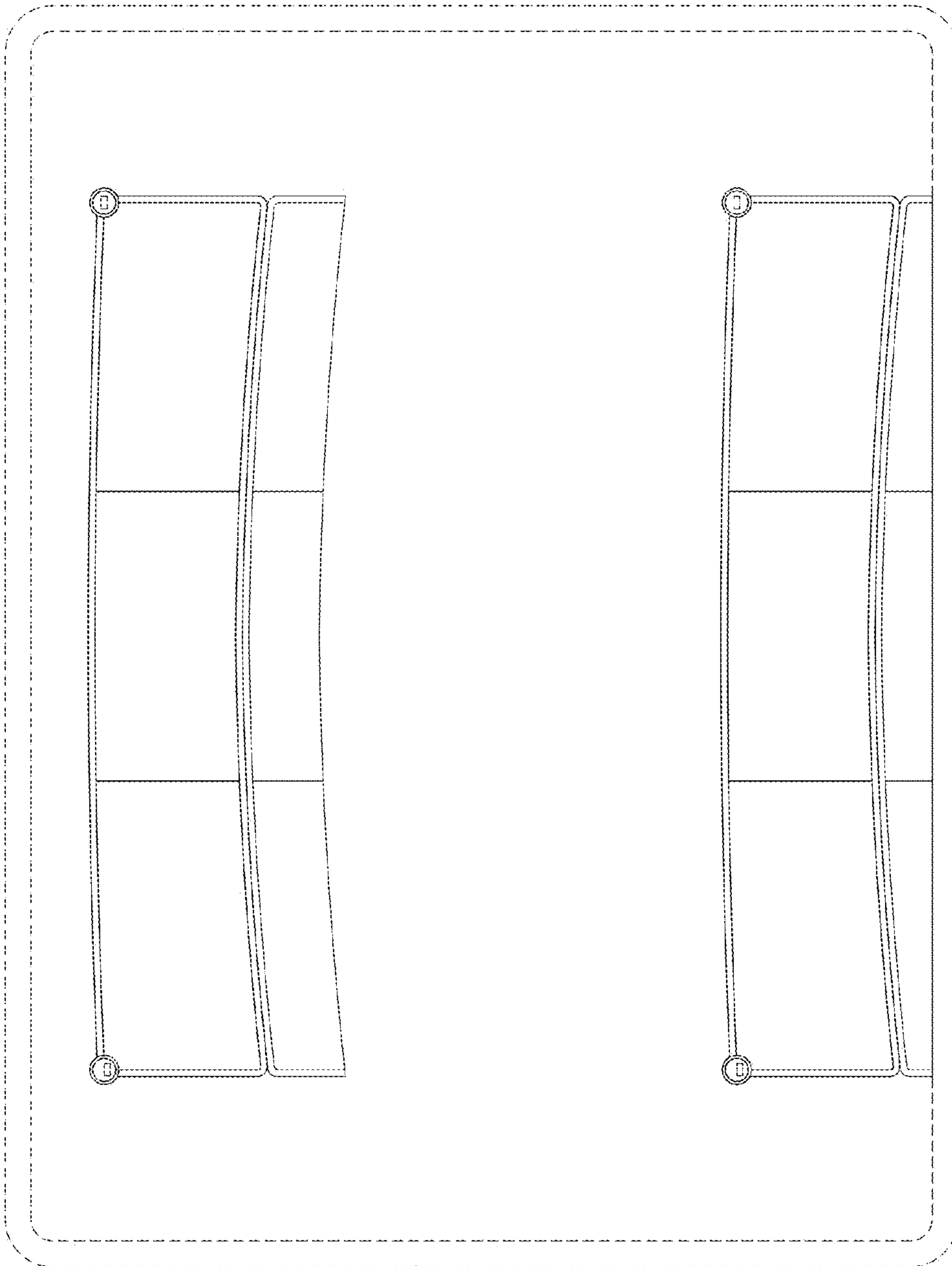


FIG. 22

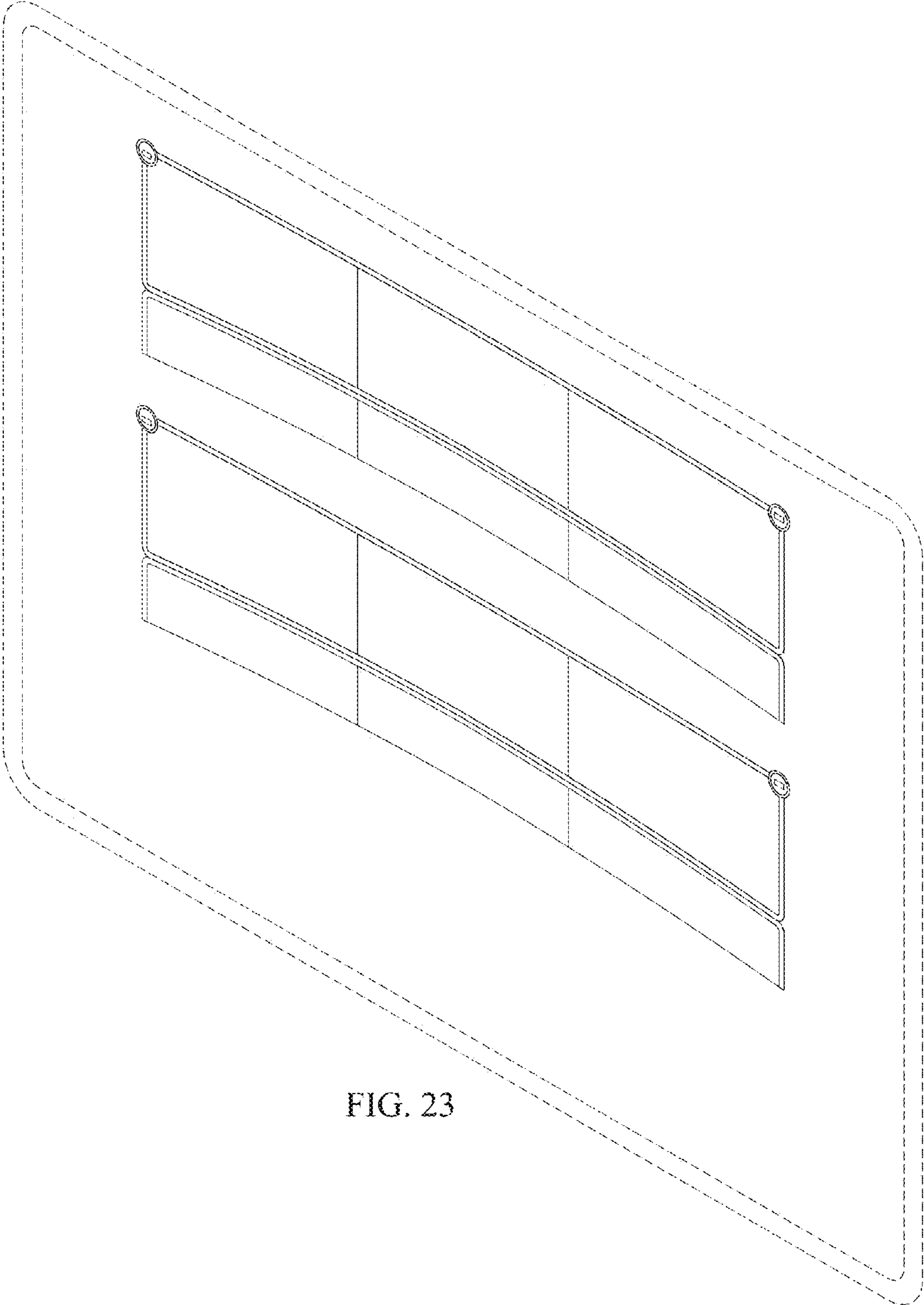


FIG. 23

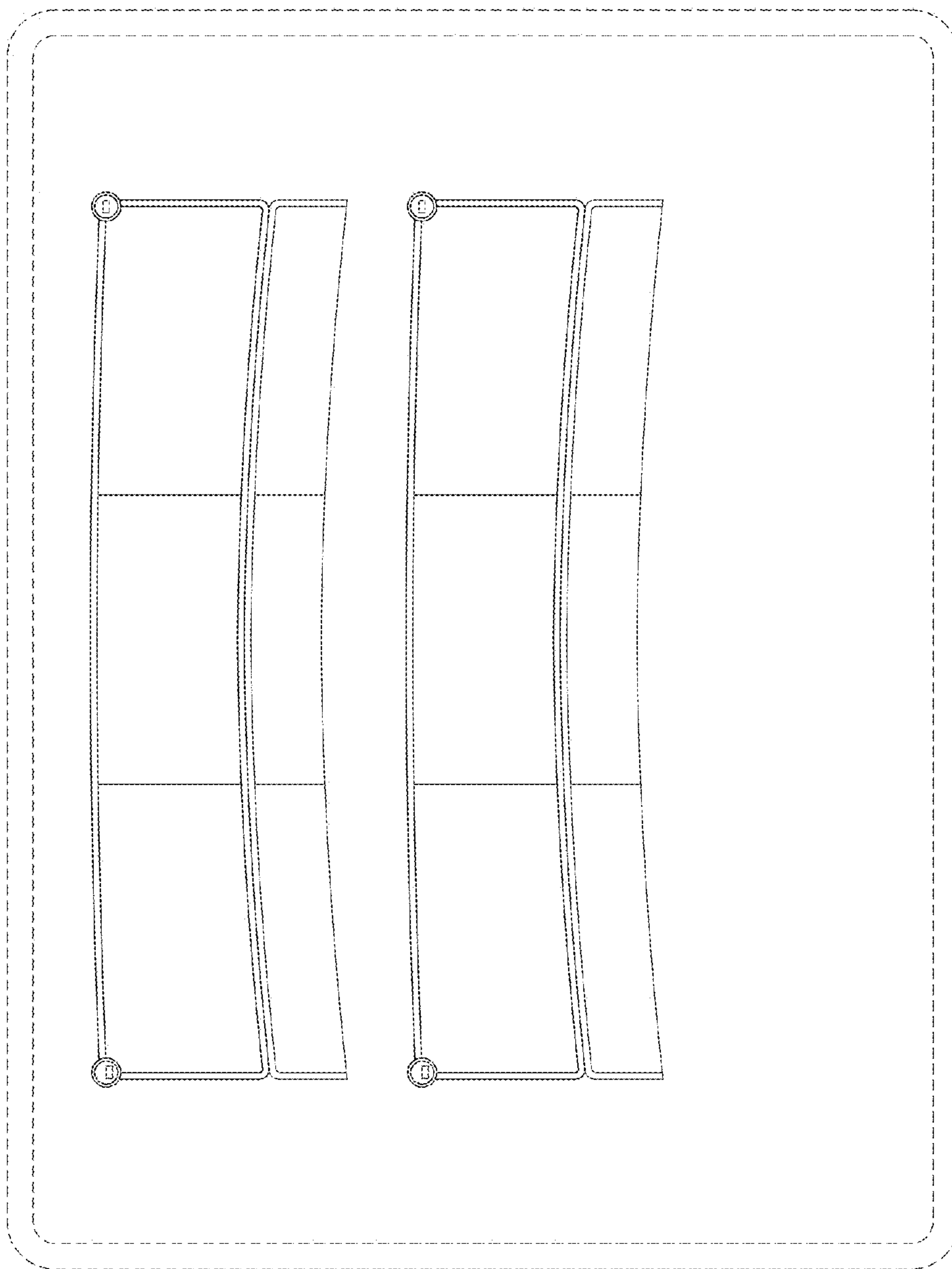


FIG. 24