



US00D701235S

(12) **United States Design Patent**
Hatta

(10) **Patent No.:** **US D701,235 S**
(45) **Date of Patent:** **** Mar. 18, 2014**

(54) **USER INTERFACE FOR A REMOTE CONTROLLER**

(71) Applicant: **Hidetoshi Hatta**, Chiyoda-Ku (JP)

(72) Inventor: **Hidetoshi Hatta**, Chiyoda-Ku (JP)

(73) Assignee: **Mitsubishi Electric Corporation**, Tokyo (JP)

(**) Term: **14 Years**

(21) Appl. No.: **29/450,539**

(22) Filed: **Mar. 19, 2013**

(30) **Foreign Application Priority Data**

Sep. 20, 2012 (JP) 2012-022686

(51) **LOC (10) Cl.** **14-04**

(52) **U.S. Cl.**
USPC **D14/486**

(58) **Field of Classification Search**
USPC D13/162, 164, 168; D10/49, 50;
D14/218, 443, 485-495; 236/1 C, 51;
341/22, 34, 176, 333; 345/156, 169,
345/173; 348/734; 340/4.3, 4.31, 4.42,
340/12.22, 12.23, 12.24, 13.21, 13.24,
340/12.28, 12.5; 463/39; 455/352; 700/17,
700/65, 83, 276, 277, 278; 715/200, 700,
715/762, 744, 760, 763, 746, 747, 733, 736,
715/751, 752, 753, 702, 716, 769, 764,
715/765; 709/204, 206, 217, 219, 223
See application file for complete search history.

(56) **References Cited**

U.S. PATENT DOCUMENTS

D310,660 S * 9/1990 Ishida D14/399
D364,573 S * 11/1995 Pearsall D10/50
D444,793 S * 7/2001 Richter D14/486

D450,305 S * 11/2001 Masuzoe et al. D13/168
D464,328 S * 10/2002 Vasquez et al. D13/164
D478,051 S * 8/2003 Sagawa D13/168
D478,595 S * 8/2003 Wilkins et al. D14/486
D478,895 S * 8/2003 Oikawa D14/218
D486,834 S * 2/2004 Allen et al. D14/486
D492,665 S * 7/2004 Lee D14/218
D492,691 S * 7/2004 Kortis D14/486
D493,148 S * 7/2004 Shibata et al. D13/168
D501,463 S * 2/2005 Hisatsune D14/218
D512,691 S * 12/2005 Hisatsune D13/164
7,010,756 B2 * 3/2006 Nagasaka et al. 715/810
7,047,092 B2 * 5/2006 Wimsatt 700/83
D525,982 S * 8/2006 Suzuki D14/486
D527,011 S * 8/2006 Bixler D14/486
D546,295 S * 7/2007 Marchetto et al. D13/168
7,240,075 B1 * 7/2007 Nemirofsky et al. 1/1
D559,710 S * 1/2008 Jacoby et al. D10/49

(Continued)

Primary Examiner — Kevin Rudzinski

(74) *Attorney, Agent, or Firm* — Sughrue Mion, PLLC

(57) **CLAIM**

The ornamental design for a remote controller with graphical user interface, as shown and described.

DESCRIPTION

FIG. 1 is a front, top and right side perspective view of a remote controller with graphical user interface, showing my new design;

FIG. 2 is a front elevational view thereof;

FIG. 3 is a rear elevational view thereof;

FIG. 4 is a left side elevational view thereof;

FIG. 5 is a right side elevational view thereof;

FIG. 6 is a top plan view thereof;

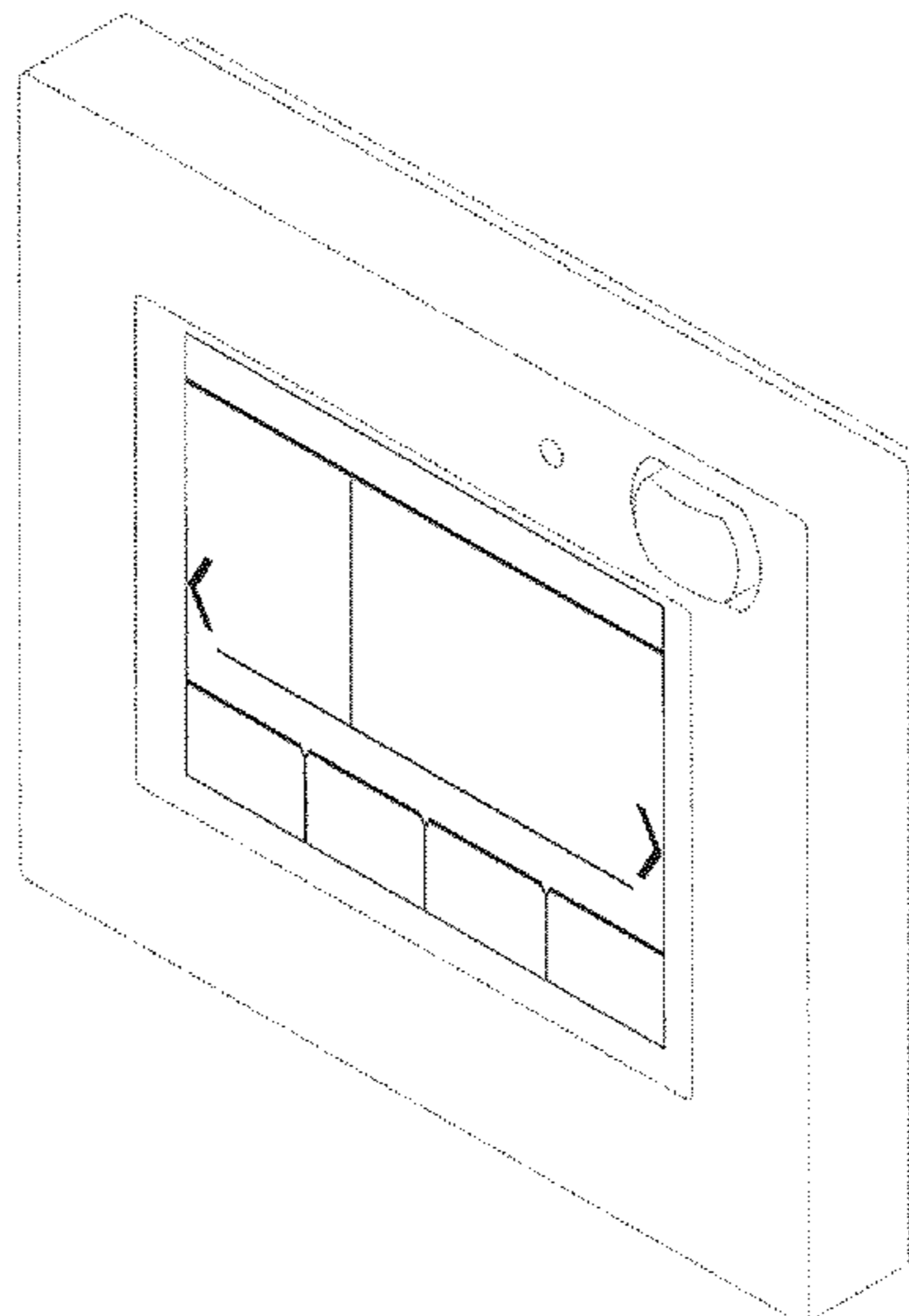
FIG. 7 is a bottom plan view thereof;

FIG. 8 is an enlarged screen image thereof; and,

FIG. 9 is a reference enlarged screen image showing in use.

The broken lines showing the remote controller and portions of the graphical user interface in the drawings form no part of the claimed design.

1 Claim, 7 Drawing Sheets



(56)

References Cited

U.S. PATENT DOCUMENTS

D570,363 S *	6/2008	Ulm et al.	D14/487	D652,337 S *	1/2012	Molik	D11/3
D575,792 S *	8/2008	Benson	D14/486	D658,196 S *	4/2012	Wood et al.	D14/486
D586,355 S *	2/2009	Mori et al.	D14/486	D659,151 S *	5/2012	Loken et al.	D14/485
D586,357 S *	2/2009	Jasinski	D14/486	D665,396 S *	8/2012	Williams et al.	D14/486
D607,417 S *	1/2010	Liu	D13/164	D670,659 S *	11/2012	Ishikawa et al.	D13/168
D610,159 S *	2/2010	Matheny et al.	D14/486	D691,164 S *	10/2013	Lim et al.	D14/486
D623,606 S *	9/2010	Nakai et al.	D13/168	D691,620 S *	10/2013	Coffman et al.	D14/486
D632,699 S *	2/2011	Judy et al.	D14/486	D691,622 S *	10/2013	Shaffer	D14/486
D641,714 S *	7/2011	Kataoka et al.	D13/168	D693,360 S *	11/2013	Gardner et al.	D14/486
D641,715 S *	7/2011	Kataoka et al.	D13/168	D693,777 S *	11/2013	Sakai et al.	D13/168
D641,716 S *	7/2011	Kataoka et al.	D13/168	2007/0247338 A1 *	10/2007	Marchetto	341/22
D642,544 S *	8/2011	Kataoka et al.	D13/168	2008/0273014 A1 *	11/2008	Lowles et al.	345/173
D645,003 S *	9/2011	Kataoka et al.	D13/168	2009/0139847 A1 *	6/2009	Yoon et al.	200/5 A
D649,557 S *	11/2011	Duchene	D14/488	2009/0242368 A1 *	10/2009	Chang et al.	200/310
D652,051 S *	1/2012	Judy et al.	D14/486	2010/0122897 A1 *	5/2010	Larsson	200/5 A
				2011/0037718 A1 *	2/2011	Stephanick et al.	345/173
				2013/0087628 A1 *	4/2013	Nelson et al.	236/51

* cited by examiner

Fig. 1

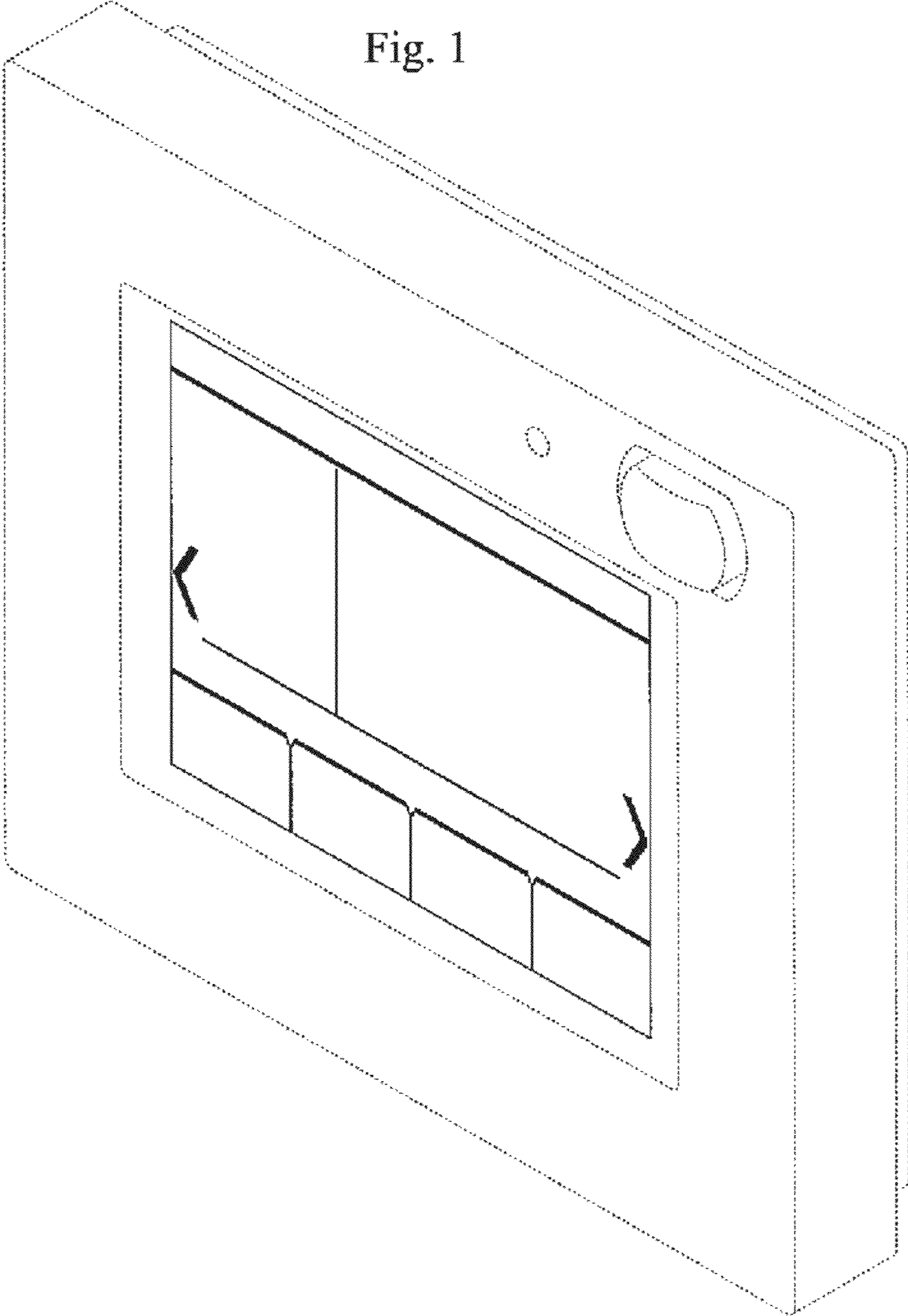


Fig. 2

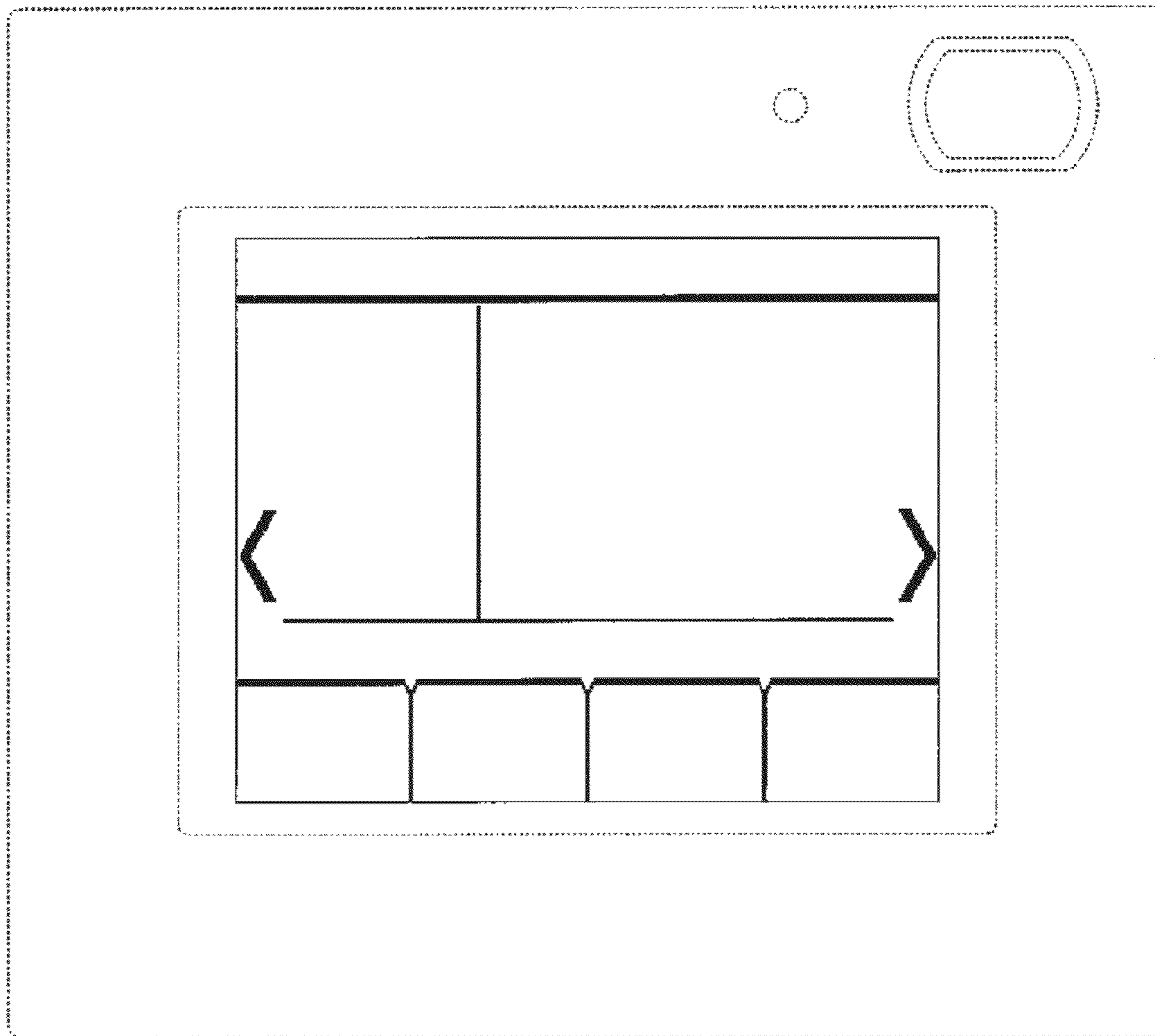


Fig. 3

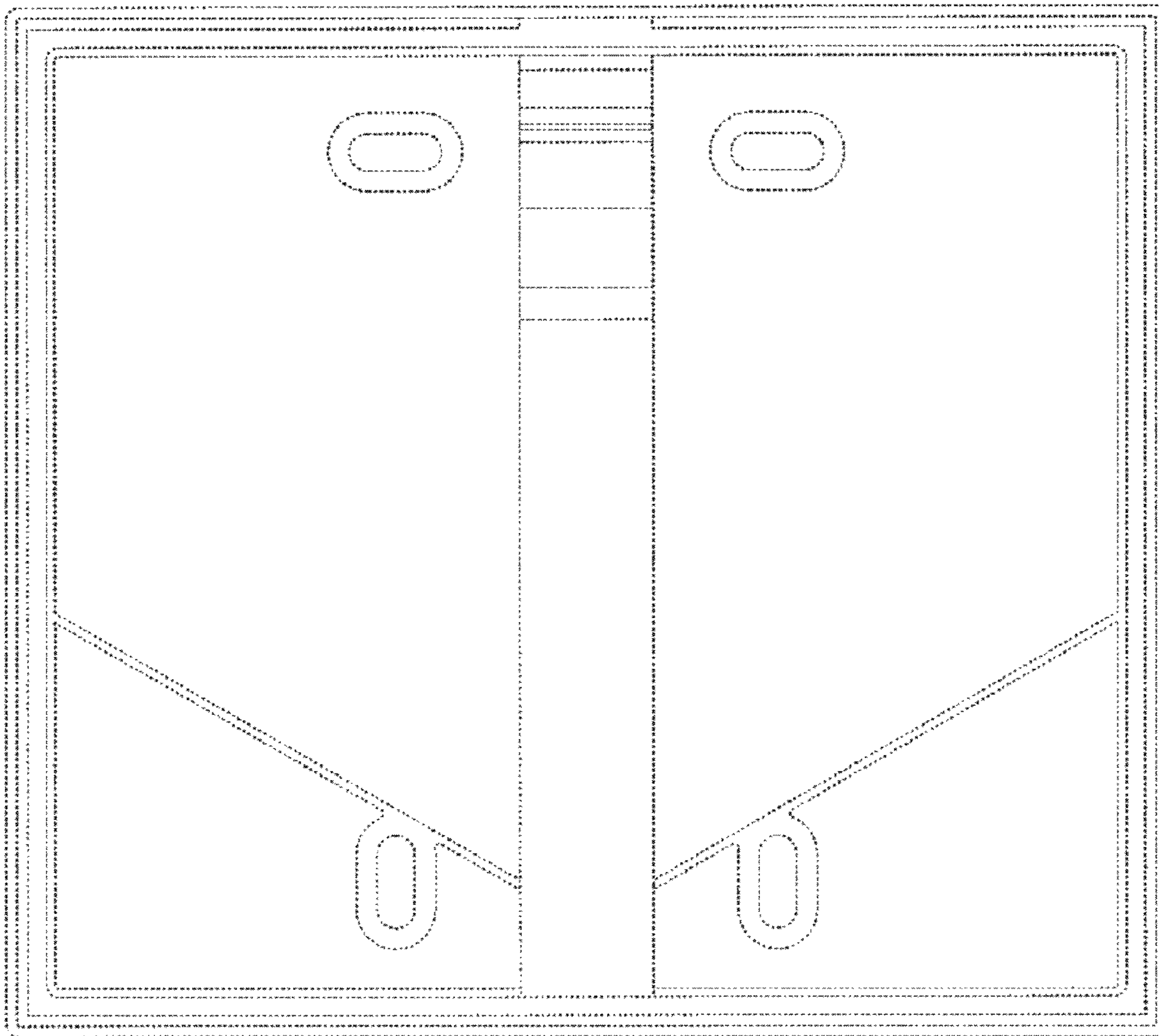


Fig. 4

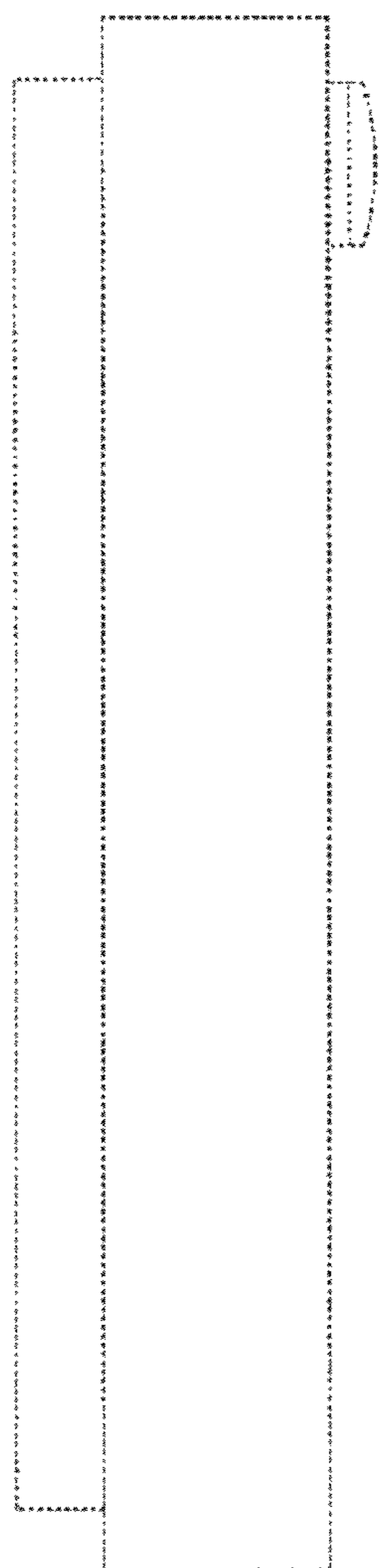


Fig. 5

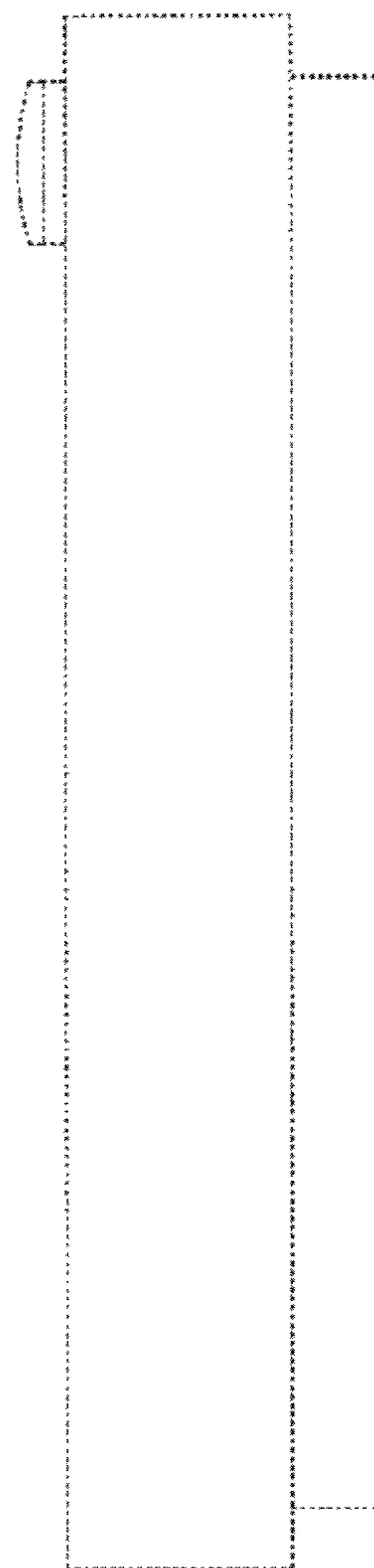


Fig. 6

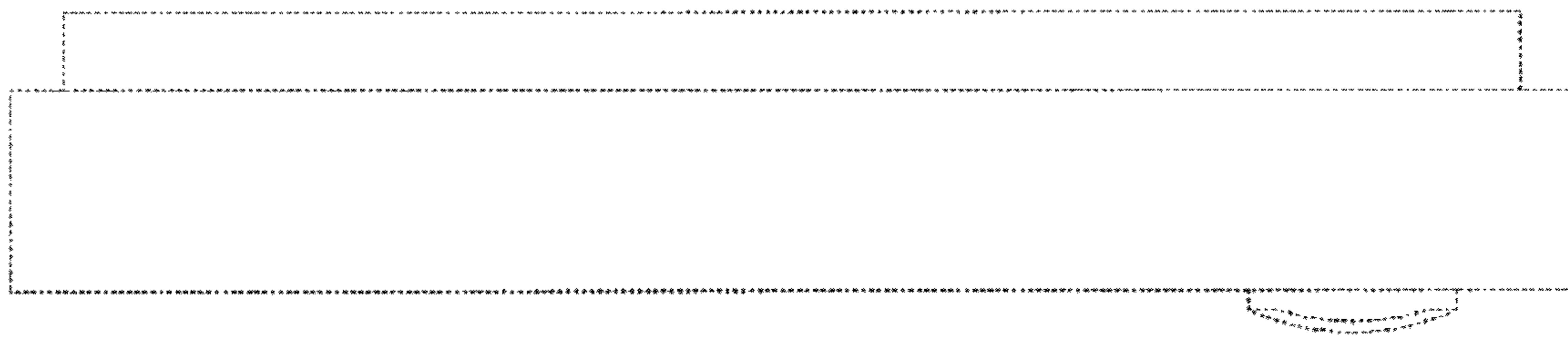


Fig. 7

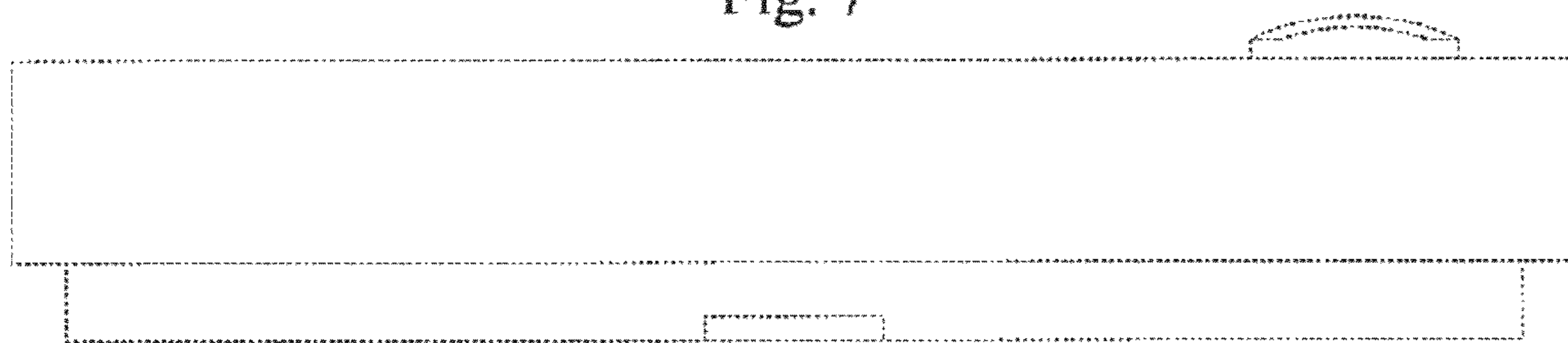


Fig. 8

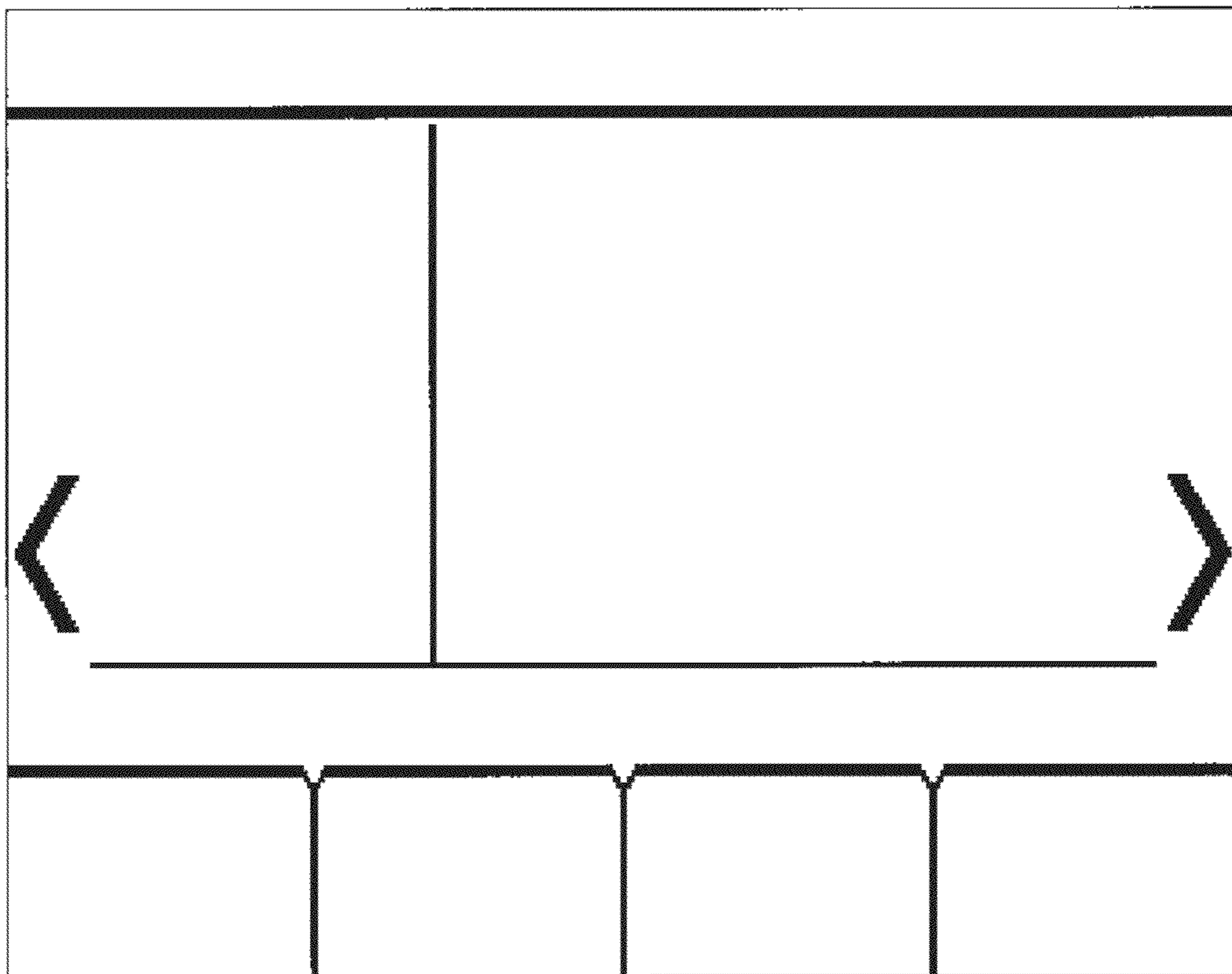


FIG. 9

