



US00D701213S

(12) **United States Design Patent**
Pajic

(10) **Patent No.:** **US D701,213 S**
(45) **Date of Patent:** **** Mar. 18, 2014**

(54) **TRAY TABLE FOR SUPPORTING AN ELECTRONIC DEVICE**

(71) Applicant: **Nick Pajic**, Phoenix, AZ (US)

(72) Inventor: **Nick Pajic**, Phoenix, AZ (US)

(**) Term: **14 Years**

(21) Appl. No.: **29/450,824**

(22) Filed: **Mar. 23, 2013**

(51) **LOC (10) Cl.** **08-07**

(52) **U.S. Cl.**
USPC **D14/447**

(58) **Field of Classification Search**

USPC D14/447, 451, 457, 432, 434, 439, 440,
D14/217, 238.1, 250, 251, 253; D6/406.1,
D6/406.2, 406.3, 406.4, 406.5, 406.6;
D12/415; D13/108, 110; D8/363;
D21/333; 248/917-924, 133, 136, 139,
248/150, 176.1, 188.6; 361/679.09, 679.21,
361/679.22, 679.24, 679.26, 679.27,
361/679.28, 679.3, 679.55, 679.56, 709

See application file for complete search history.

(56) **References Cited**

U.S. PATENT DOCUMENTS

D505,427 S *	5/2005	Bain	D14/451
D555,655 S *	11/2007	Iu	D14/447
D620,942 S *	8/2010	Huang	D14/447
D621,406 S *	8/2010	Hoehn et al.	D14/447
D641,024 S *	7/2011	Zenri et al.	D14/447
D655,351 S *	3/2012	Zenri et al.	D21/333
D661,308 S *	6/2012	Capozzoli, II	D14/447
D667,011 S *	9/2012	Wu et al.	D14/447
D682,282 S *	5/2013	Steinfeld	D14/447
D683,348 S *	5/2013	Xiang et al.	D14/447
D688,671 S *	8/2013	Avganim	D14/447
D692,437 S *	10/2013	Sugino et al.	D14/447
2013/0093220 A1 *	4/2013	Pajic	297/163

* cited by examiner

Primary Examiner — Angela J Lee

(74) Attorney, Agent, or Firm — Lightbulb IP, LLC

(57) **CLAIM**

The ornamental design for a tray table for supporting an electronic device, as shown and described.

DESCRIPTION

FIG. 1 is a front perspective view of a tray table for supporting an electronic device, of which the tablet device shown in broken lines is for illustrative purposes only and forms no part of the claimed design.

FIG. 2 is a back perspective view of a tray table for supporting an electronic device, of which the tablet device shown in broken lines is for illustrative purposes only and forms no part of the claimed design.

FIG. 3 is a front view of a tray table for supporting an electronic device.

FIG. 4 is a back view of a tray table for supporting an electronic device.

FIG. 5 is a left view of a tray table for supporting an electronic device.

FIG. 6 is a right view of a tray table for supporting an electronic device.

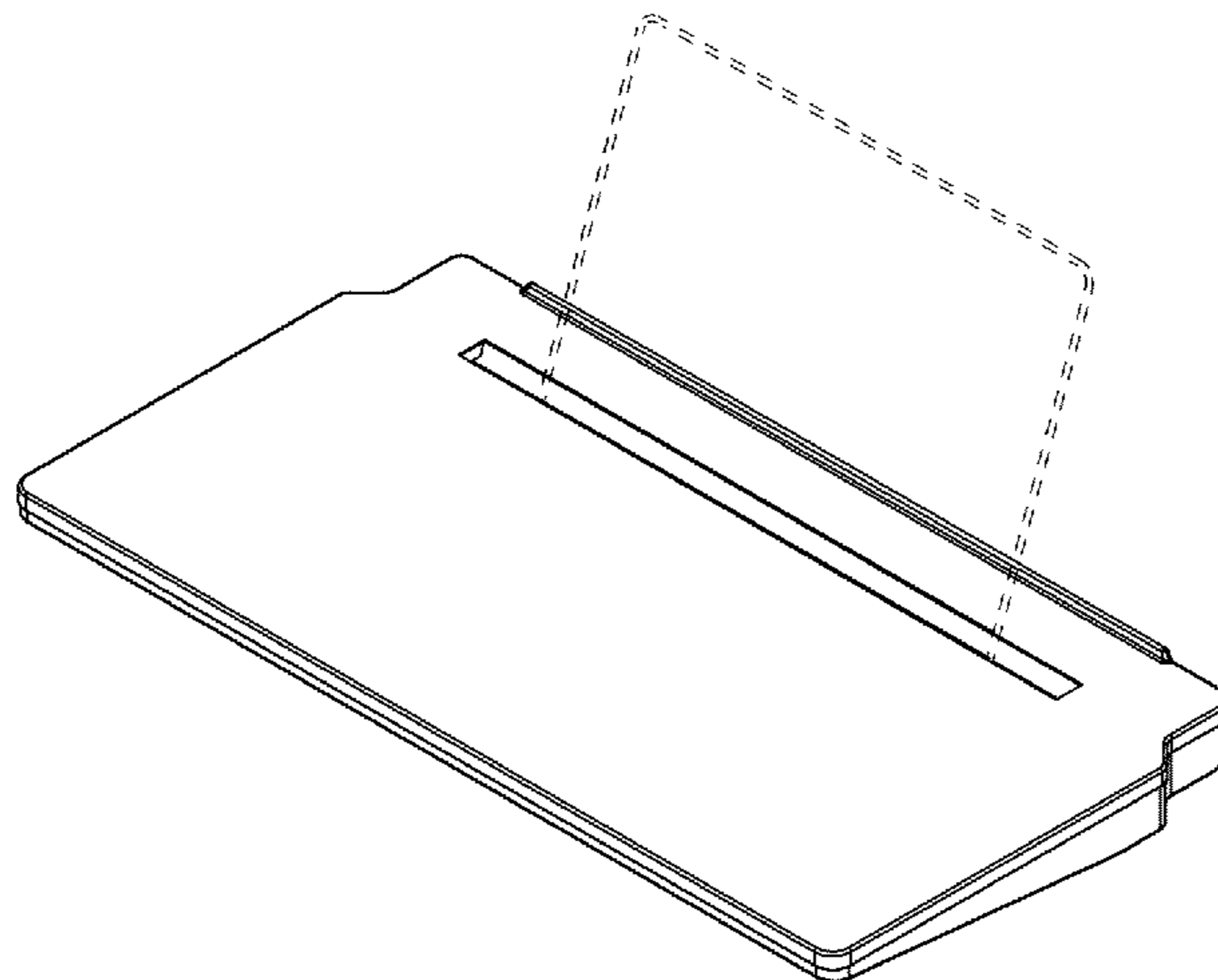
FIG. 7 is a top view of a tray table for supporting an electronic device.

FIG. 8 is a bottom view of a tray table for supporting an electronic device, the broken lines of which are shown for illustrative purposes only and form no part of the claimed design.

FIG. 9 is a left cross section view taken along line A of FIG. 3 showing an hourglass shaped groove for accepting an electronic device and bottom opening of a tray table for supporting an electronic device; and,

FIG. 10 is a right cross section view taken along line A of FIG. 3 showing an hourglass shaped groove for accepting an electronic device and bottom opening of a tray table for supporting an electronic device.

1 Claim, 3 Drawing Sheets



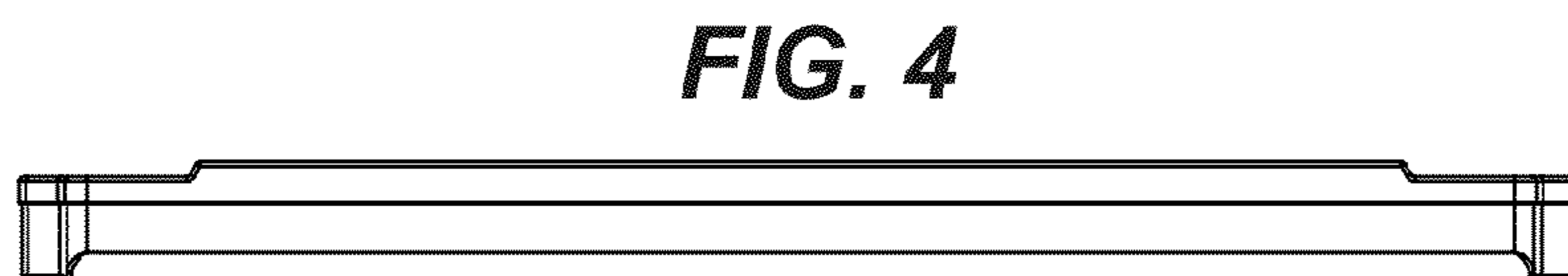
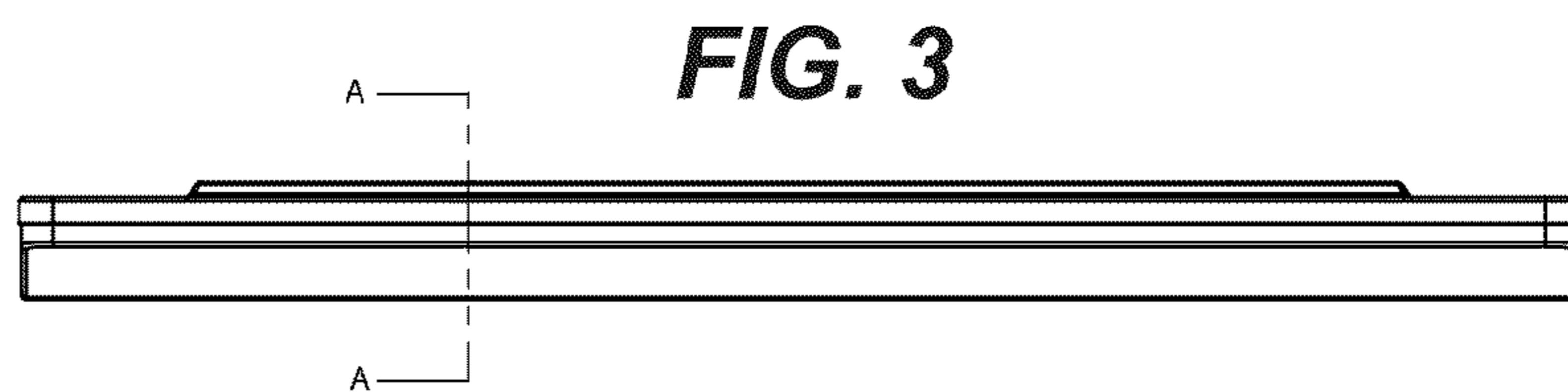
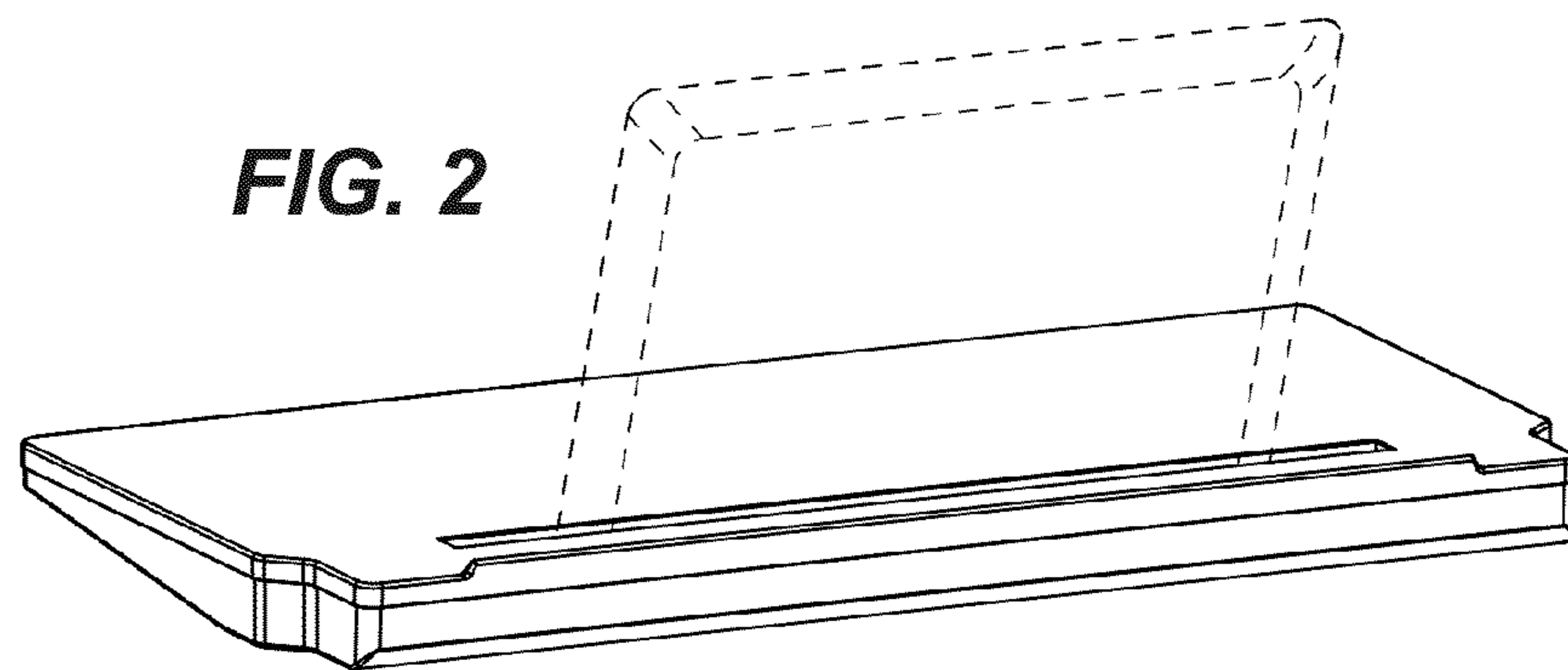
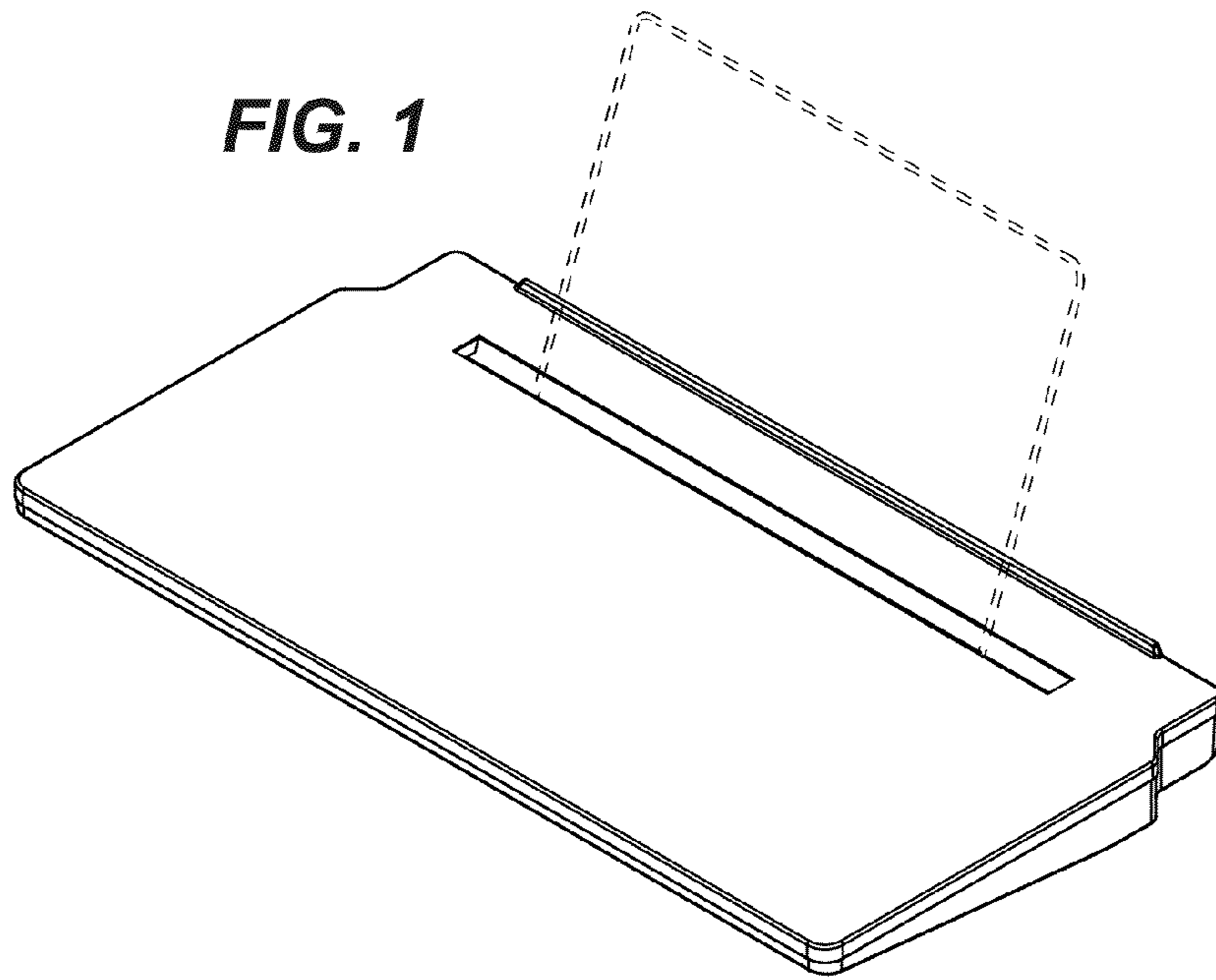


FIG. 5

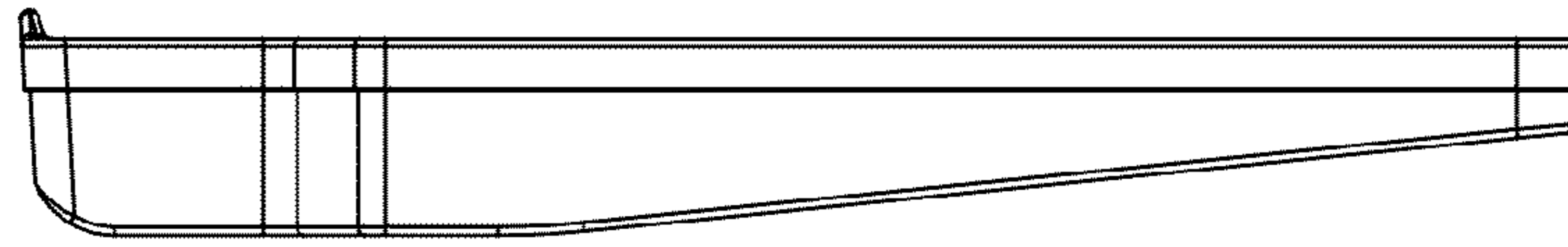


FIG. 6

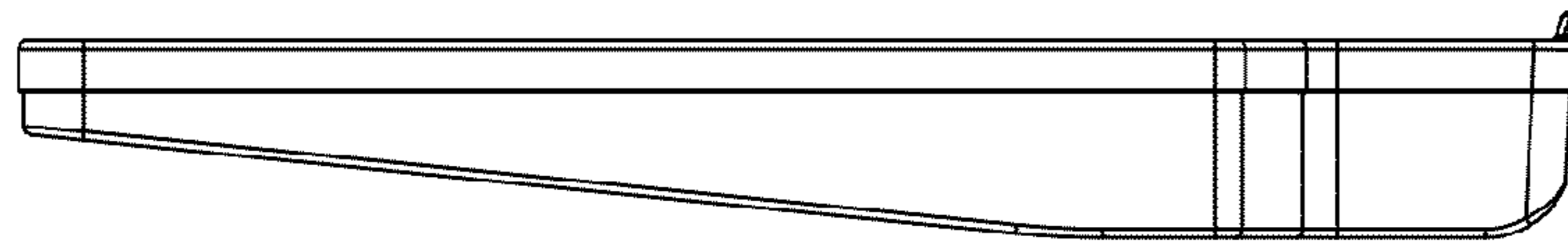


FIG. 7

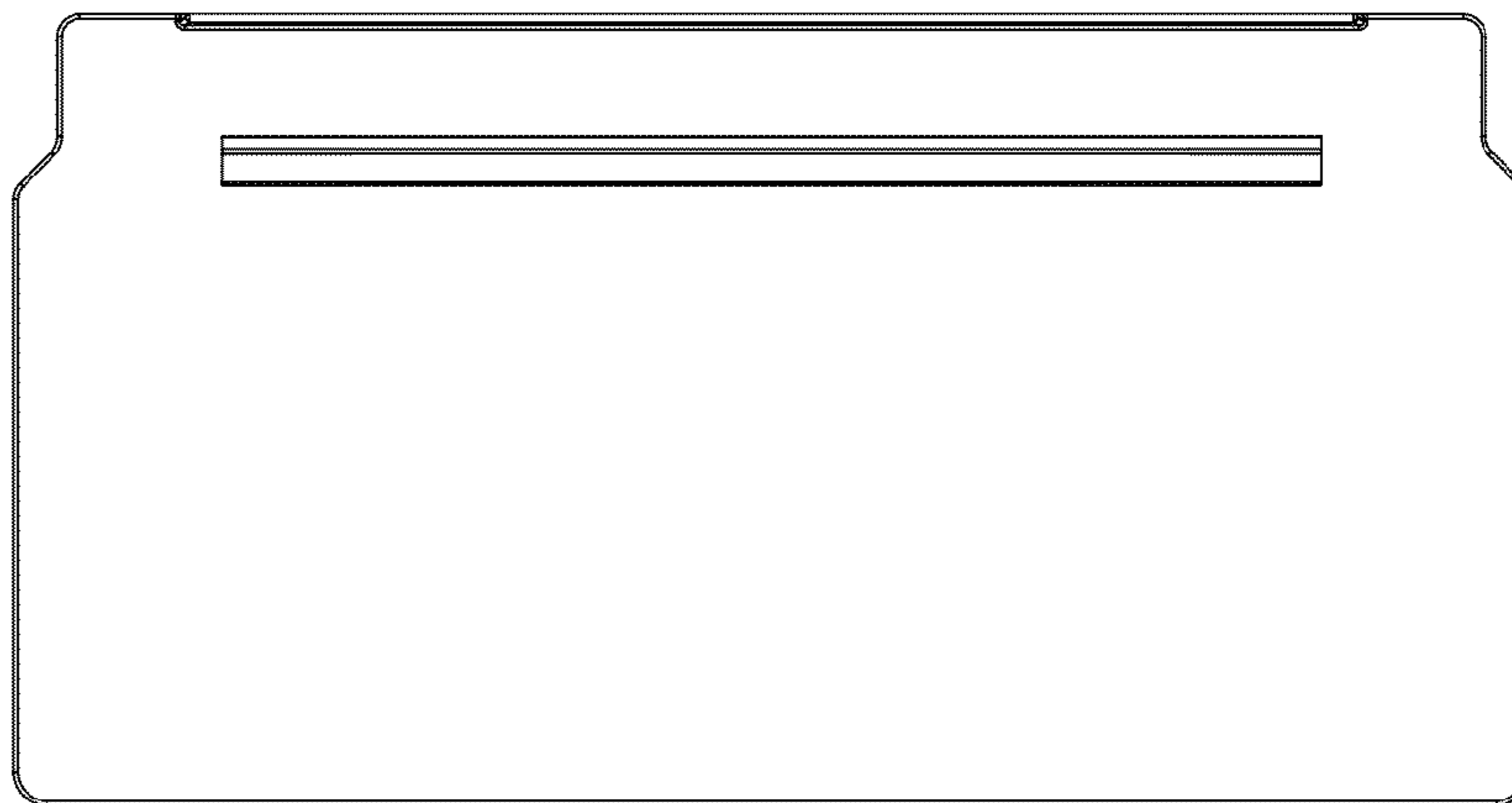


FIG. 8

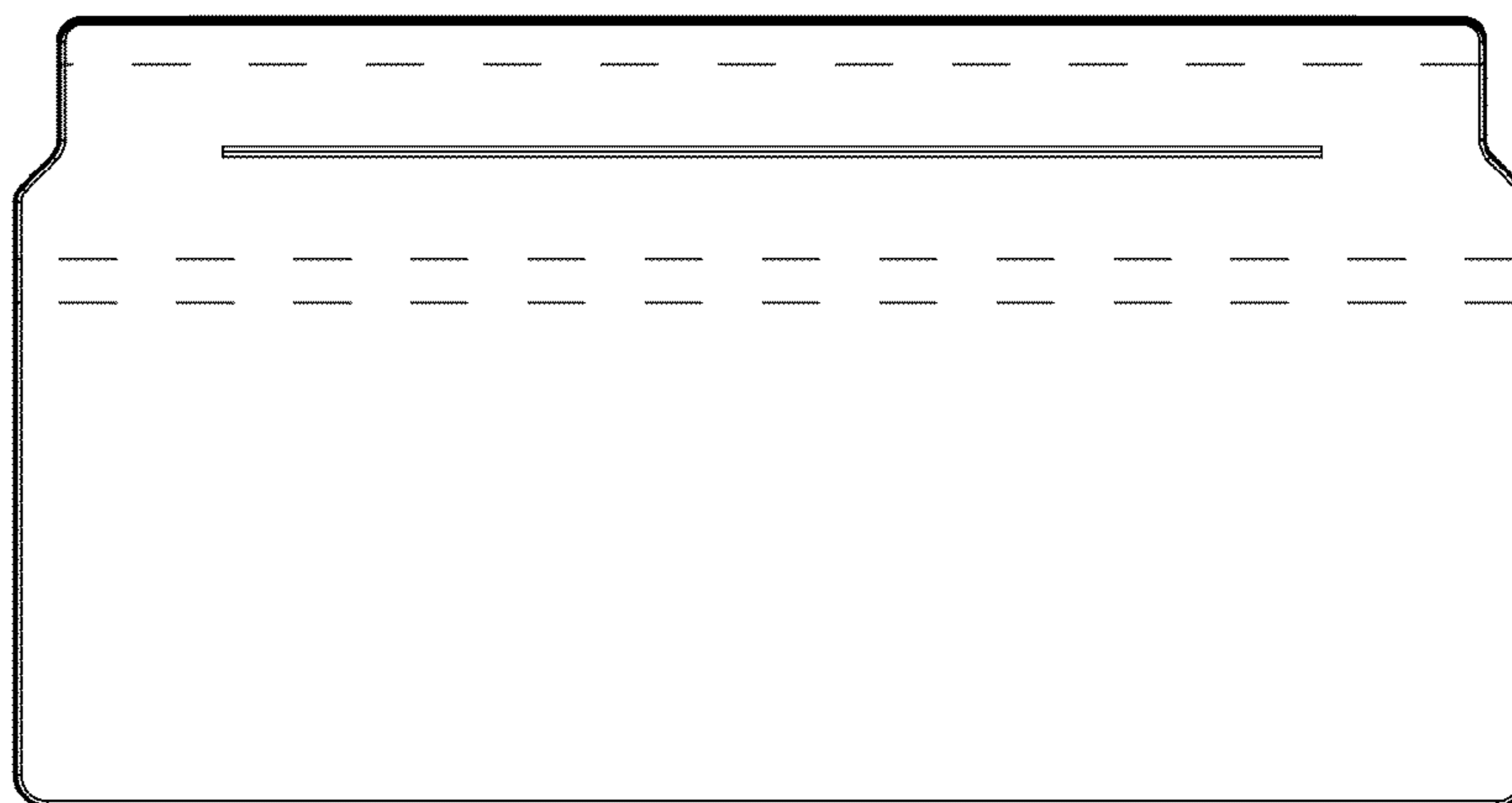


FIG. 9

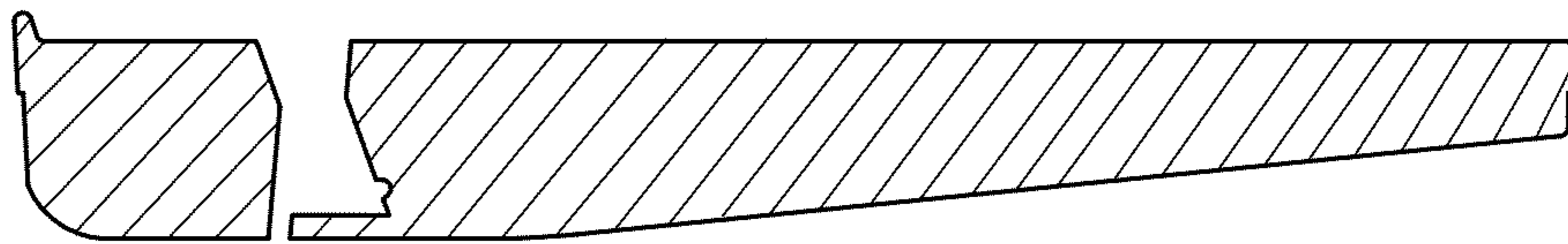


FIG. 10

