



US00D701212S

(12) **United States Design Patent**
Blevins

(10) **Patent No.:** **US D701,212 S**
(45) **Date of Patent:** **** Mar. 18, 2014**

(54) **FLEXIBLE HANDS-FREE HOLDING DEVICE**

(71) Applicant: **Conrad Scott Blevins**, Los Angeles, CA
(US)

(72) Inventor: **Conrad Scott Blevins**, Los Angeles, CA
(US)

(**) Term: **14 Years**

(21) Appl. No.: **29/444,611**

(22) Filed: **Jan. 31, 2013**

(51) **LOC (10) Cl.** **08-07**

(52) **U.S. Cl.**
USPC **D14/447**

(58) **Field of Classification Search**
USPC D14/447, 451, 457, 432, 434, 439, 440,
D14/217, 238.1, 250, 251, 253, 348, 356;
D6/406.1, 406.2, 406.3, 406.4, 406.5,
D6/406.6; D12/415; D13/108, 110;
D8/363; D21/333; 248/917-924, 133,
248/136, 139, 150, 176.1, 188.6, 444;
361/679.09, 679.21, 679.22, 679.24,
361/679.26, 679.27, 679.28, 679.3, 679.55,
361/679.56, 709; D3/218

See application file for complete search history.

(56) **References Cited**

U.S. PATENT DOCUMENTS

D355,790 S * 2/1995 Dwyer D6/449
D390,209 S * 2/1998 Dials et al. D14/451
D410,910 S * 6/1999 Martell D14/457
D494,595 S * 8/2004 Lin et al. D14/451
D495,337 S * 8/2004 Zerman et al. D14/447
D551,876 S * 10/2007 Gusdorf et al. D6/406.6
D590,833 S * 4/2009 O'Connor D14/447

D645,867 S * 9/2011 Wong et al. D14/447
D670,690 S * 11/2012 Daniel et al. D14/253
D679,280 S * 4/2013 Lewis D14/447
D679,701 S * 4/2013 Adelman et al. D14/253
2012/0091298 A1* 4/2012 Huang 248/176.1
2012/0187259 A1* 7/2012 Cheng 248/188.6

FOREIGN PATENT DOCUMENTS

TW M399248 U 3/2011

* cited by examiner

Primary Examiner — Angela J Lee

(74) *Attorney, Agent, or Firm* — Hodgson Russ LLP

(57) **CLAIM**

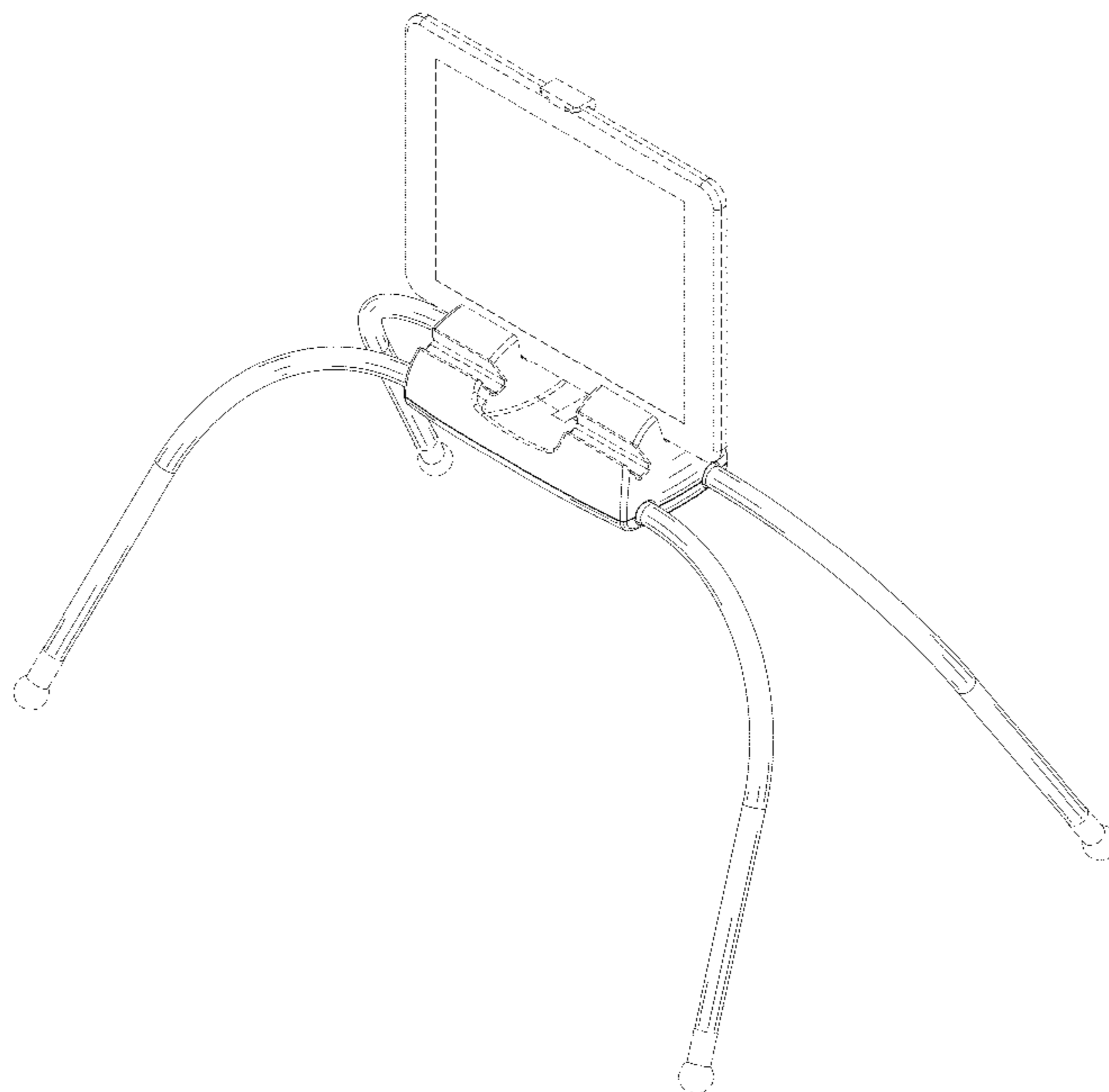
The ornamental design for a flexible hands-free holding device, as shown and described.

DESCRIPTION

FIG. 1 is a front perspective view of the flexible hands-free holding device showing my new design;
FIG. 2 is a front view thereof;
FIG. 3 is a right side view thereof;
FIG. 4 is a rear view thereof;
FIG. 5 is a top view thereof;
FIG. 6 is a bottom view thereof; and,
FIG. 7 is a front perspective view thereof holding an exemplary tablet computer.

The broken lines are included for the purpose of illustrating portions of the hands-free holding device and for illustrating environmental features. The broken lines form no part of the claimed design.

1 Claim, 7 Drawing Sheets



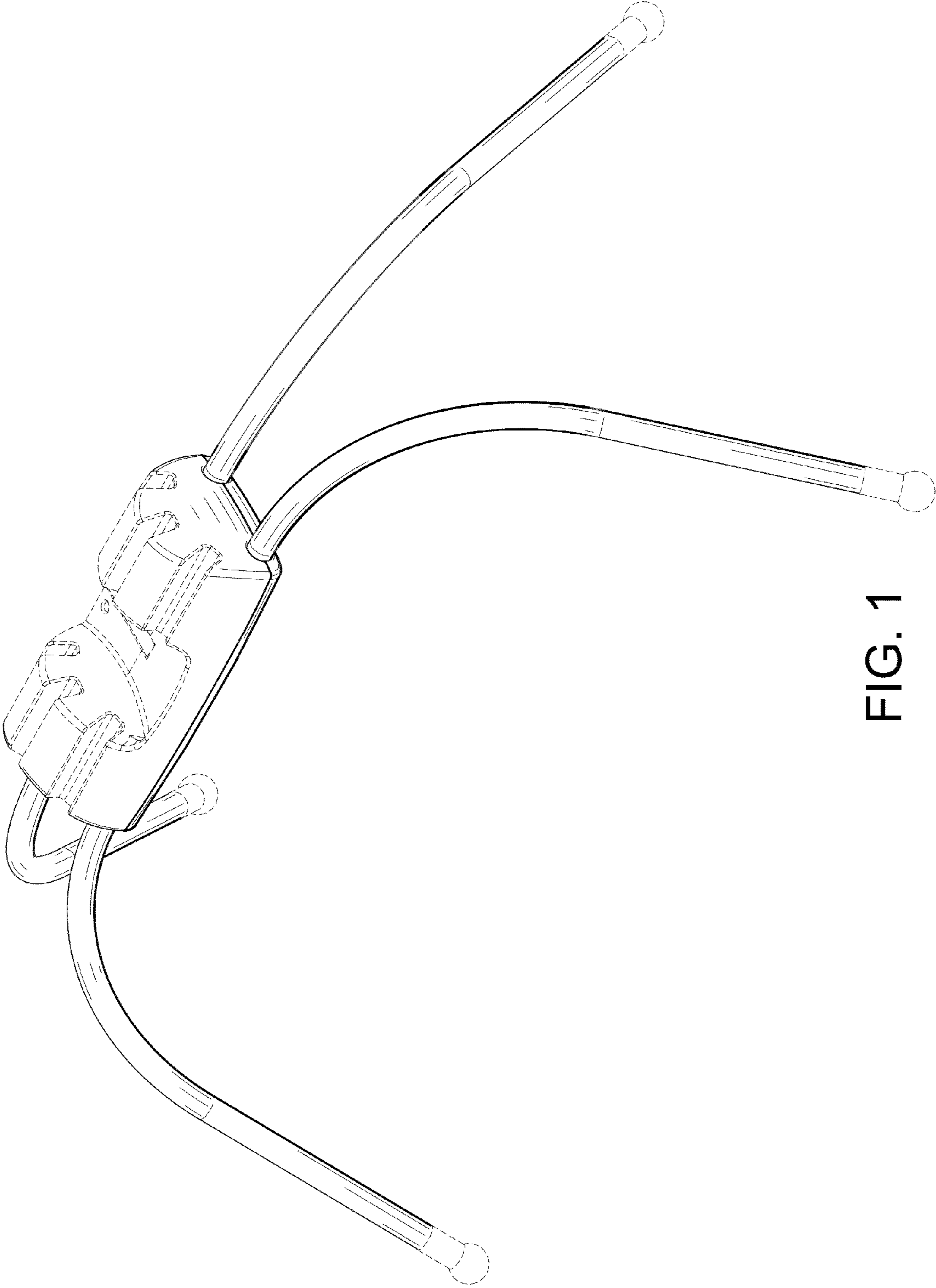


FIG. 1

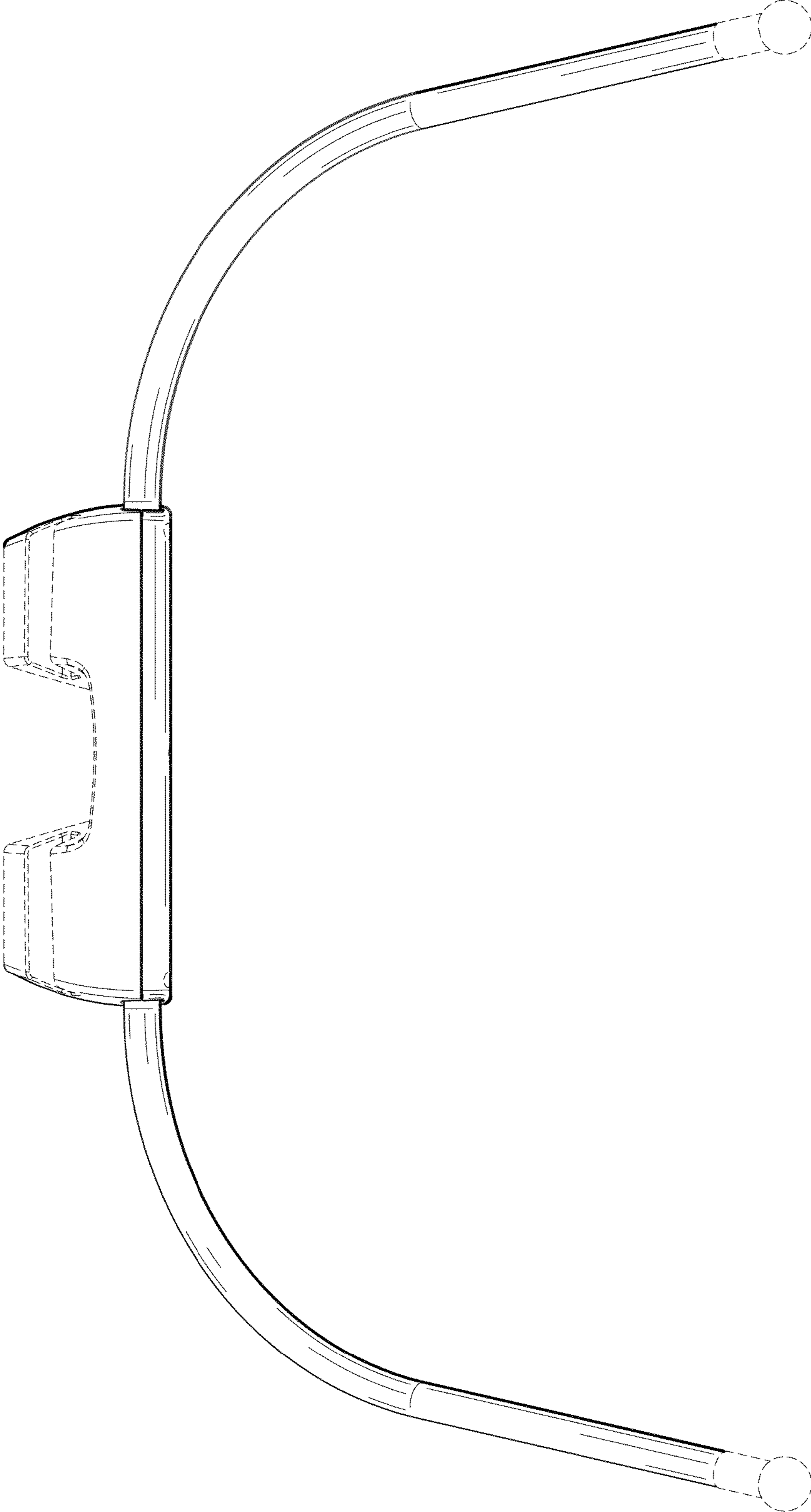


FIG. 2

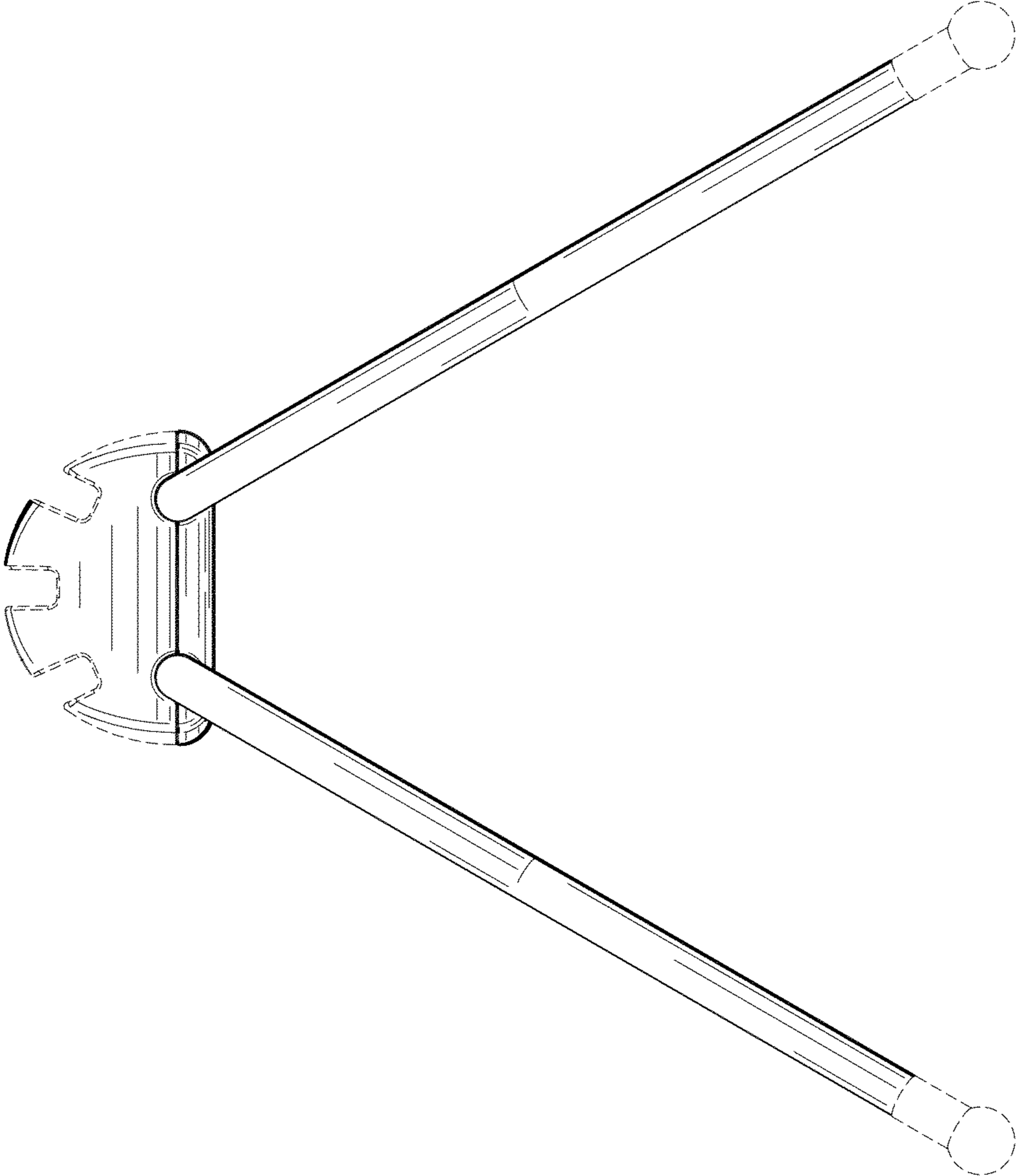


FIG. 3

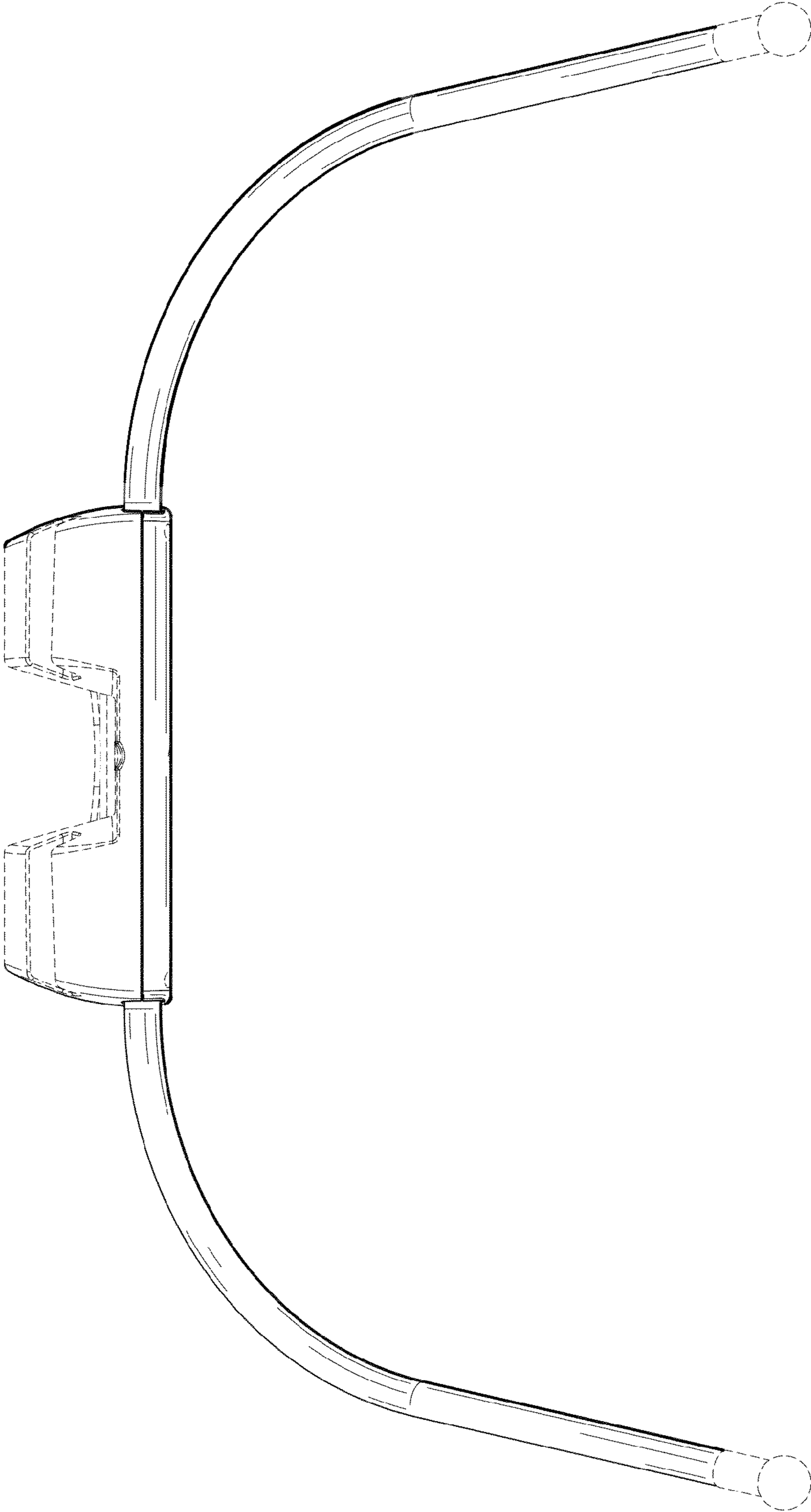


FIG. 4

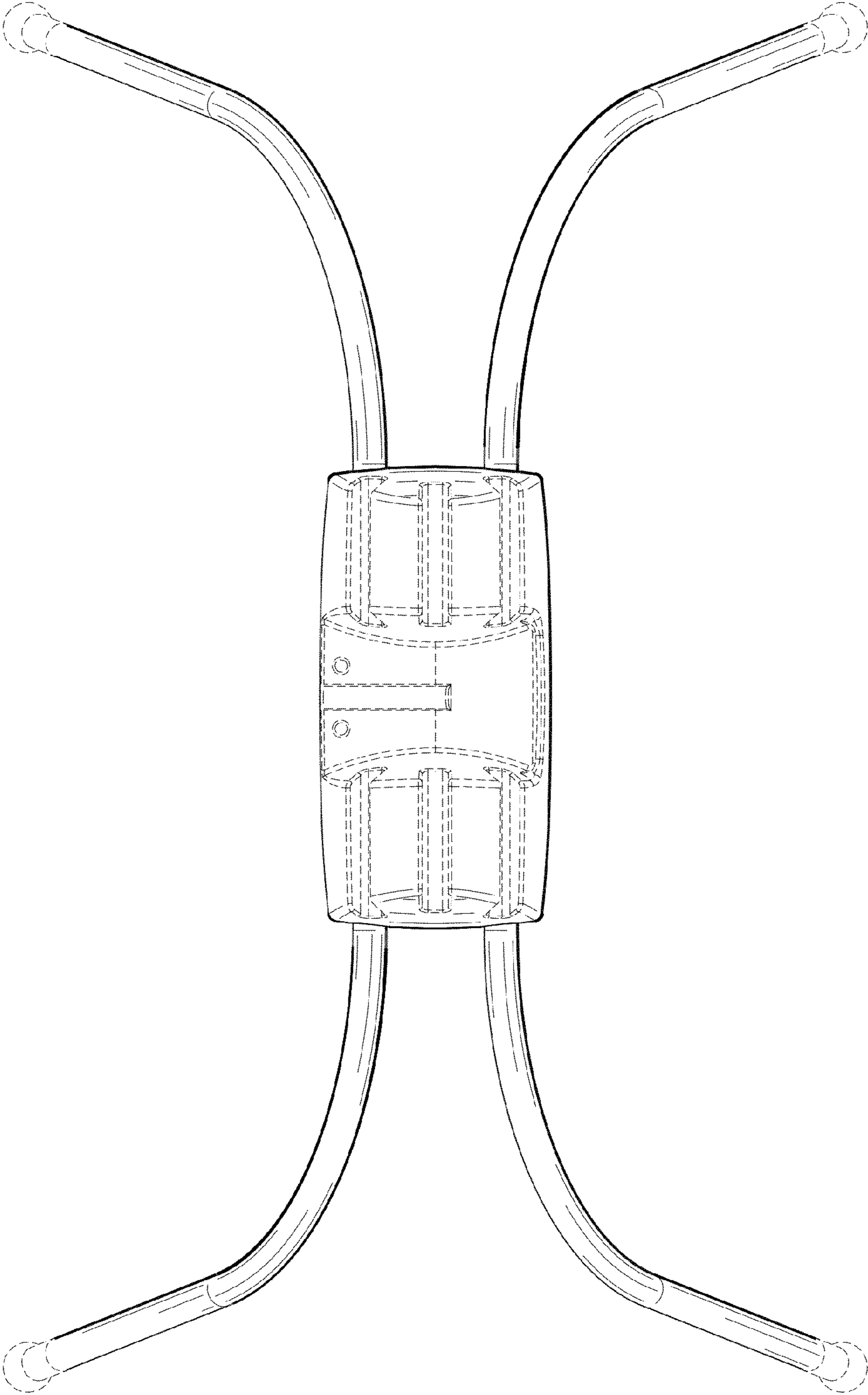


FIG. 5

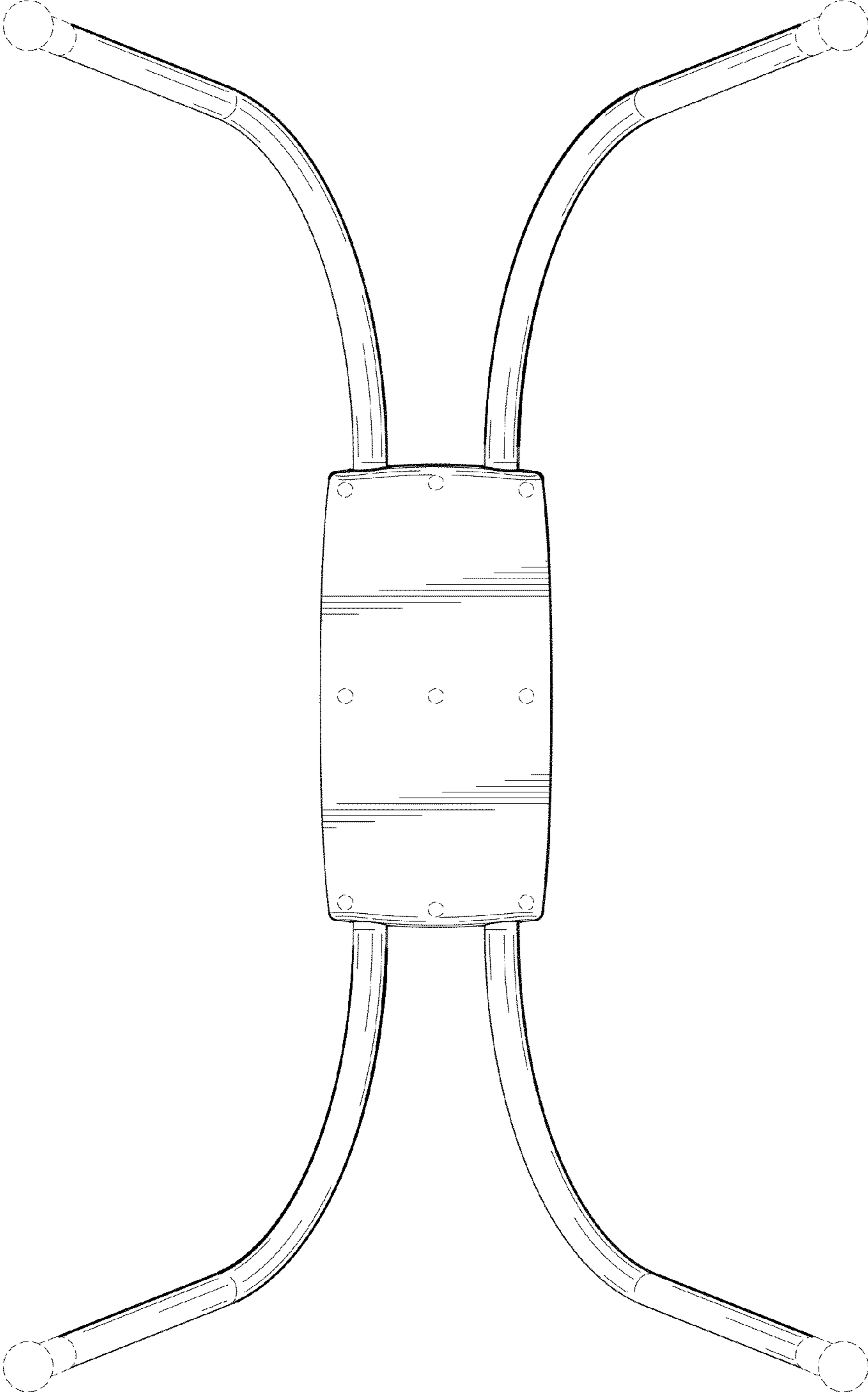


FIG. 6

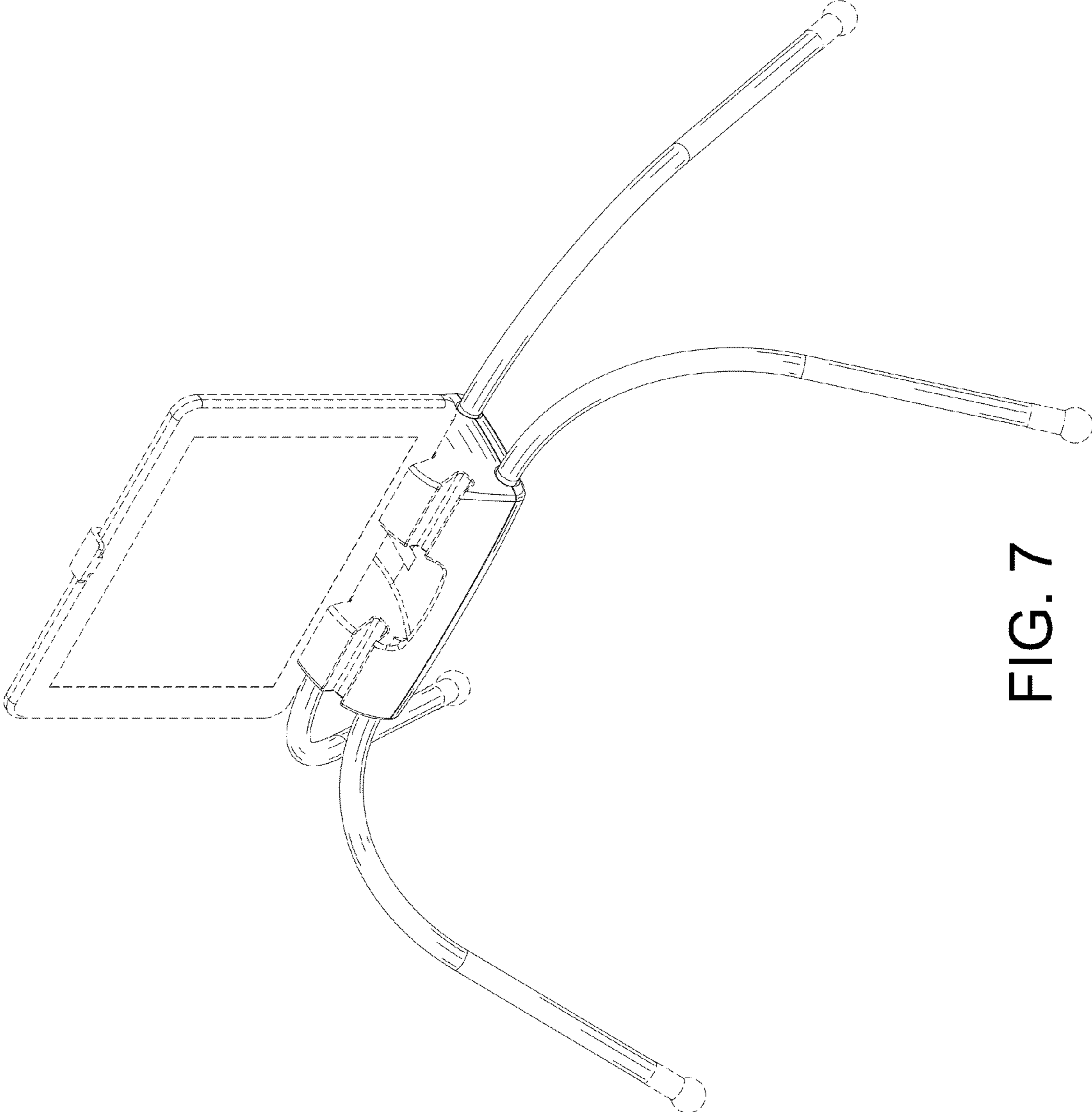


FIG. 7