



US00D701211S

(12) **United States Design Patent**  
**Ng**

(10) **Patent No.:** **US D701,211 S**  
(45) **Date of Patent:** **\*\* Mar. 18, 2014**

(54) **CASING FOR ELECTRONIC DEVICE**

(71) Applicant: **Wai Kit Ng**, Hong Kong (HK)

(72) Inventor: **Wai Kit Ng**, Hong Kong (HK)

(\*\*) Term: **14 Years**

(21) Appl. No.: **29/450,337**

(22) Filed: **Mar. 16, 2013**

(51) **LOC (10) Cl.** ..... **14-02**

(52) **U.S. Cl.**  
USPC ..... **D14/440**

(58) **Field of Classification Search**  
USPC ..... D14/250, 251, 253, 240, 217, 496, 440,  
D14/203.3, 203.4, 203.5, 203.8; D3/218,  
D3/215, 201; 220/4.02; 248/309.1;  
361/679.56; 379/426, 433.11, 455;  
455/575.1, 575.8; 190/100; 206/305,  
206/320

See application file for complete search history.

(56) **References Cited**

**U.S. PATENT DOCUMENTS**

D68,865	S	*	11/1925	Lester	.....	D3/304
D551,847	S	*	10/2007	Yeap et al.	.....	D3/201
D592,188	S	*	5/2009	Huang	.....	D14/217
D619,586	S	*	7/2010	Richter	.....	D14/447
D641,610	S	*	7/2011	Sedalo	.....	D8/354
D660,305	S	*	5/2012	Ho et al.	.....	D14/447
D662,925	S	*	7/2012	Mayberry et al.	.....	D14/250
D669,481	S	*	10/2012	Prescott et al.	.....	D14/447
D669,890	S	*	10/2012	Hopkins et al.	.....	D14/251
D673,960	S	*	1/2013	Lindfield et al.	.....	D14/447
D674,803	S	*	1/2013	Westrup	.....	D14/440
D674,804	S	*	1/2013	Cote	.....	D14/447
D676,037	S	*	2/2013	Schupsky	.....	D14/253

D679,693	S	*	4/2013	Rashid	.....	D14/250
D682,281	S	*	5/2013	Barnard et al.	.....	D14/447
D685,376	S	*	7/2013	Kim	.....	D14/439
D686,629	S	*	7/2013	Trinh et al.	.....	D14/447
D689,502	S	*	9/2013	Belitz et al.	.....	D14/447
2003/0222149	A1	*	12/2003	Solomon et al.	.....	235/472.01
2008/0099646	A1	*	5/2008	Kobara et al.	.....	248/309.1
2008/0237432	A1	*	10/2008	Patterson	.....	248/458
2011/0310553	A1	*	12/2011	Hsiao	.....	361/679.55
2012/0043247	A1	*	2/2012	Westrup	.....	206/472
2012/0074272	A1	*	3/2012	Hull	.....	248/122.1
2012/0091312	A1	*	4/2012	Baker	.....	248/682
2012/0193496	A1	*	8/2012	Li	.....	248/316.1

\* cited by examiner

*Primary Examiner* — Cynthia Underwood

(74) *Attorney, Agent, or Firm* — Novoclaims Patent Services, LLC; Mei Lin Wong

(57) **CLAIM**

The ornamental design for a casing for electronic device, as shown and described.

**DESCRIPTION**

FIG. 1 is a front perspective view of a casing or electronic device showing my new design.

FIG. 2 is a front view thereof.

FIG. 3 is a rear view thereof.

FIG. 4 is a left end view thereof.

FIG. 5 is a right end view thereof.

FIG. 6 is a top view thereof.

FIG. 7 is a bottom view thereof.

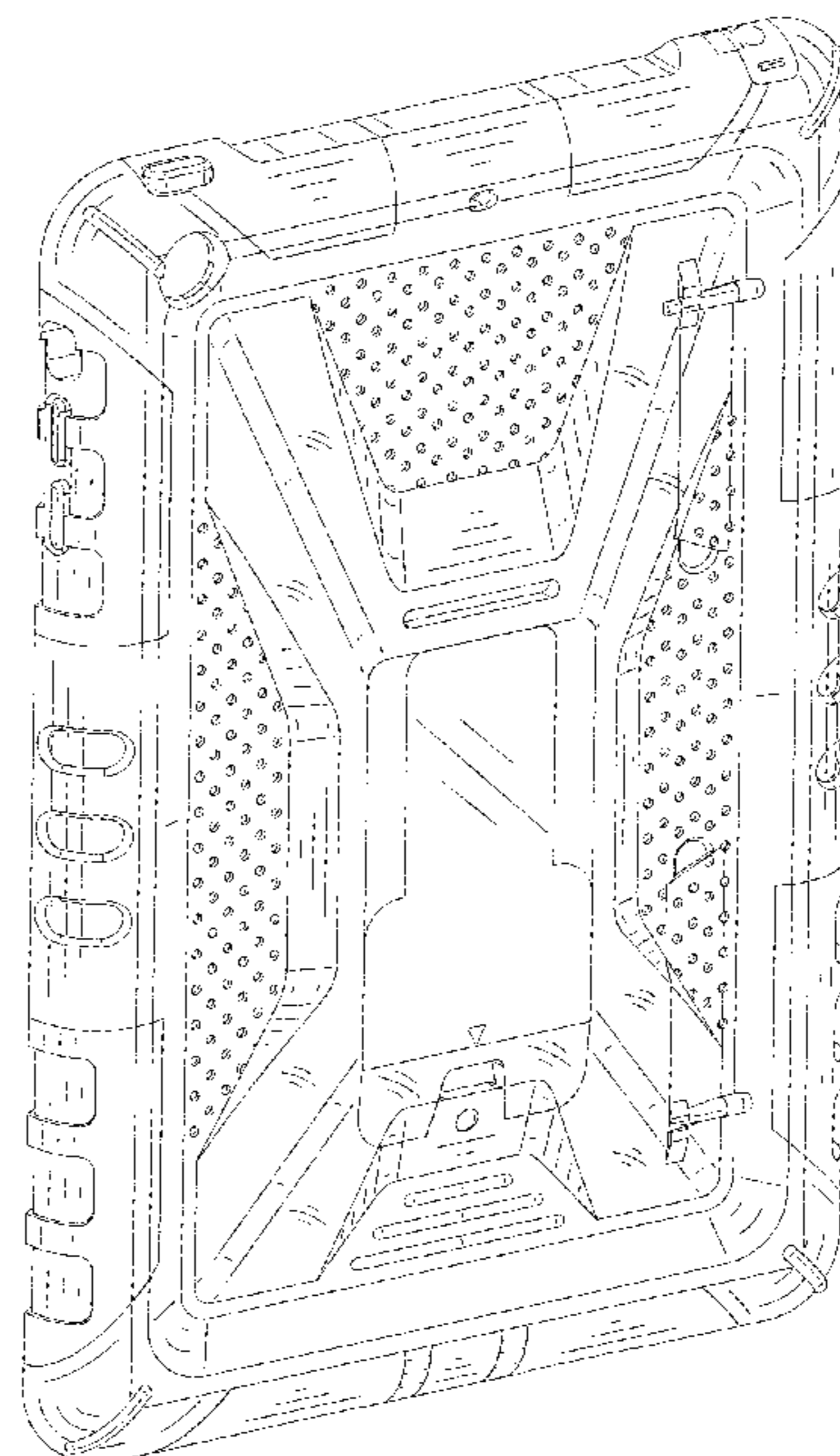
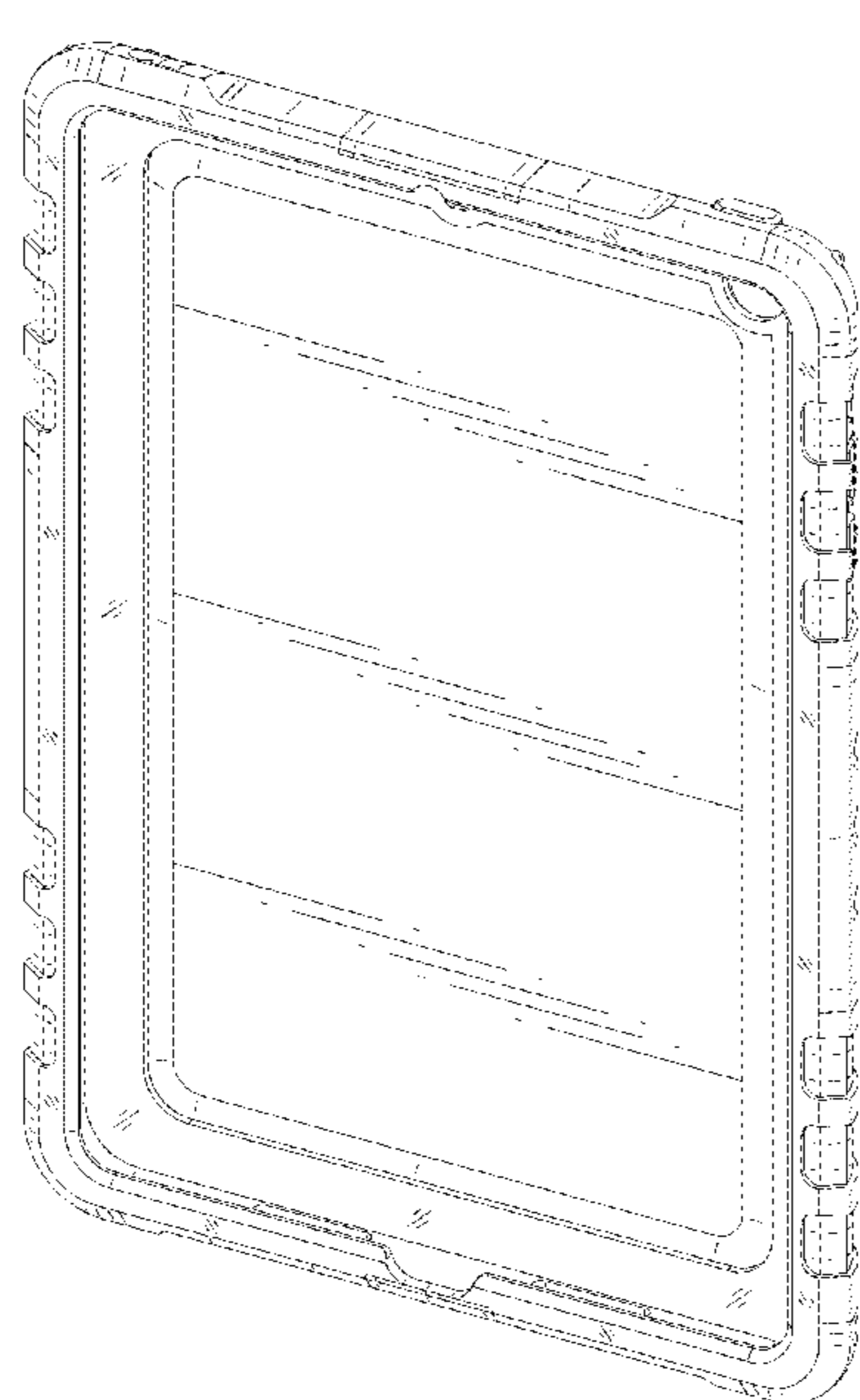
FIG. 8 is a rear perspective view thereof.

FIG. 9 is a rear perspective view of a casing for electronic device in an open position of use;

FIG. 10 is an exploded view thereof; and,

FIG. 11 is a right end view of FIG. 9.

**1 Claim, 10 Drawing Sheets**



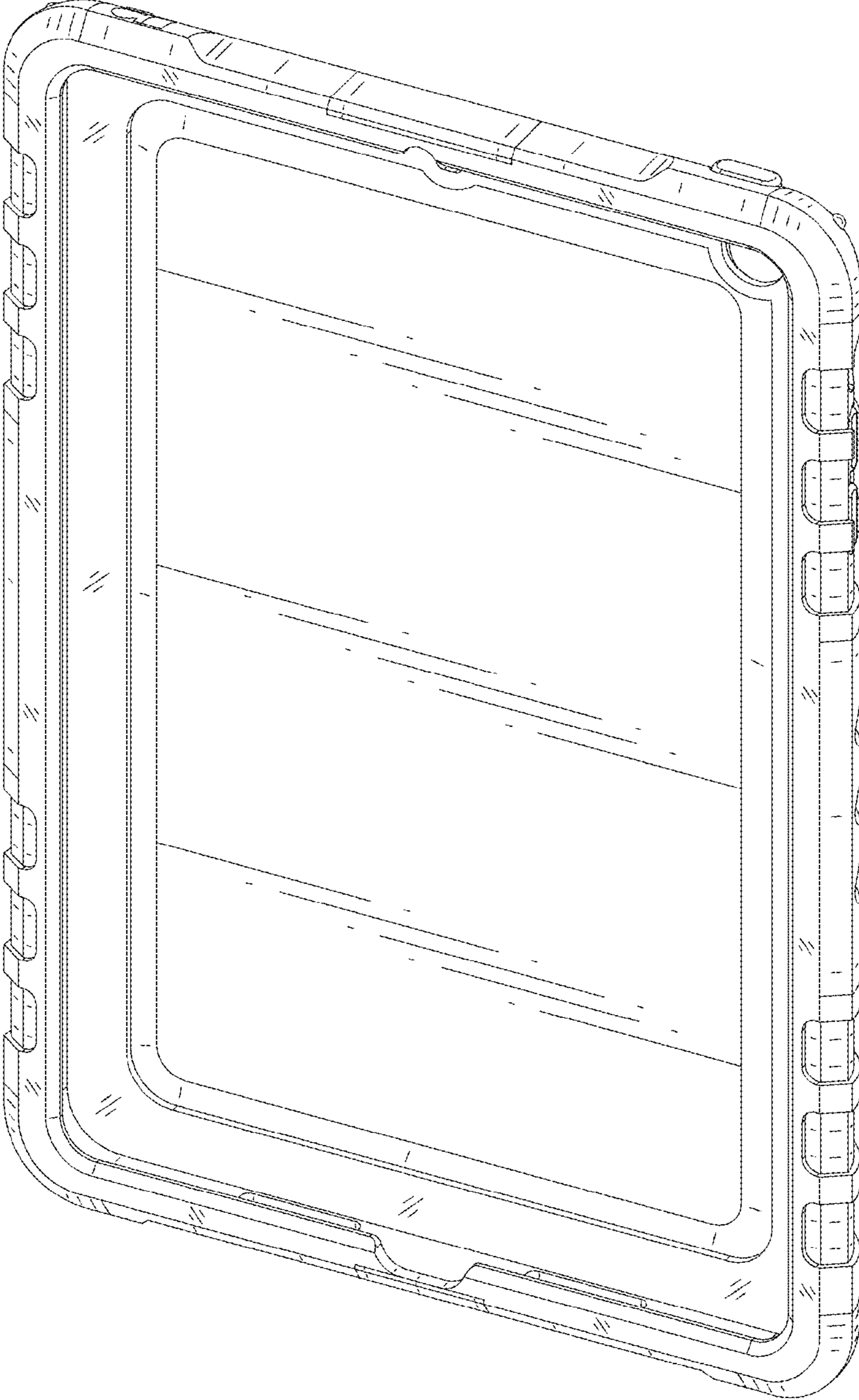


FIG.1

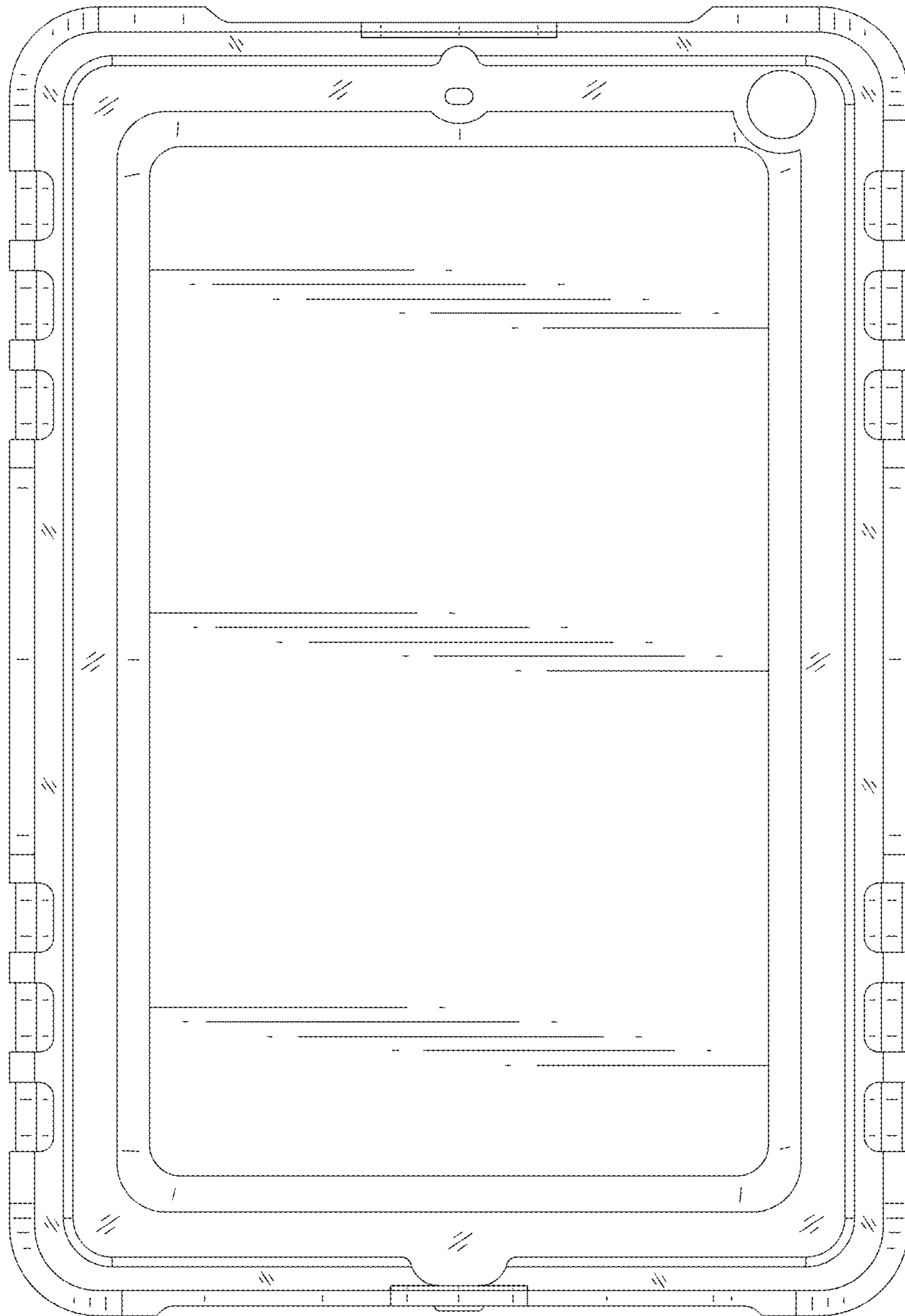


FIG.2



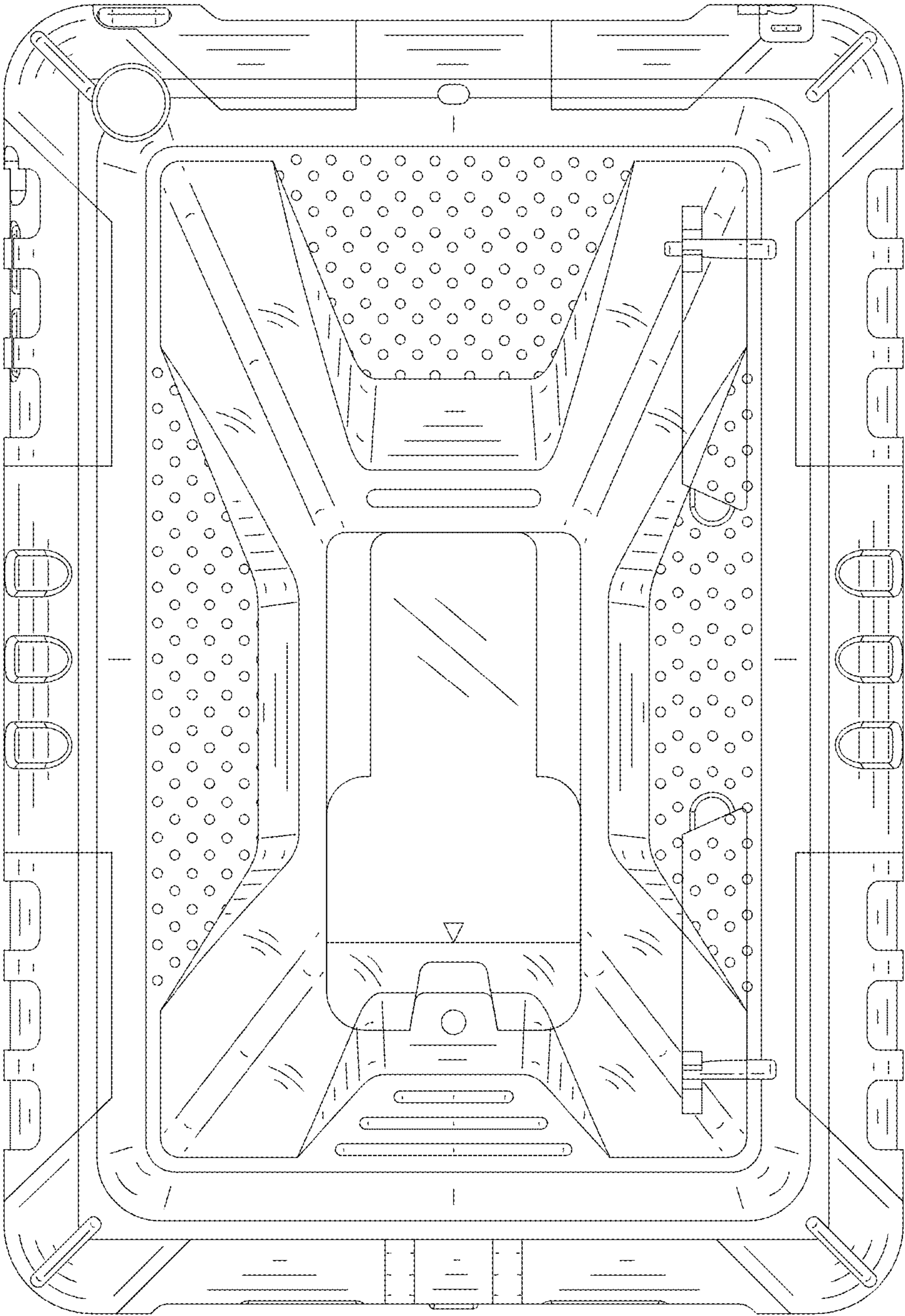


FIG.3

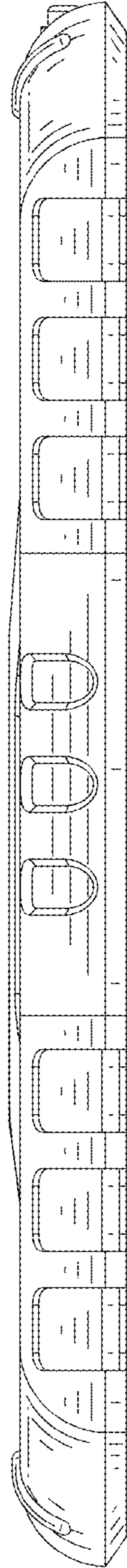


FIG.4

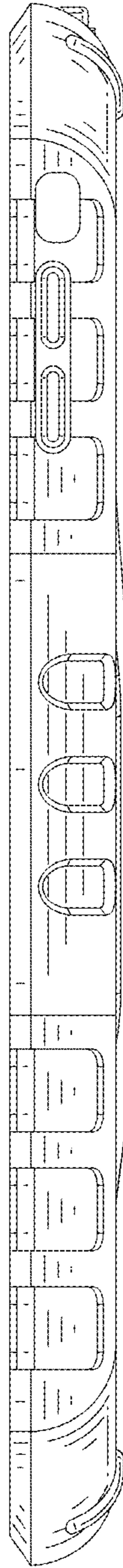


FIG.5

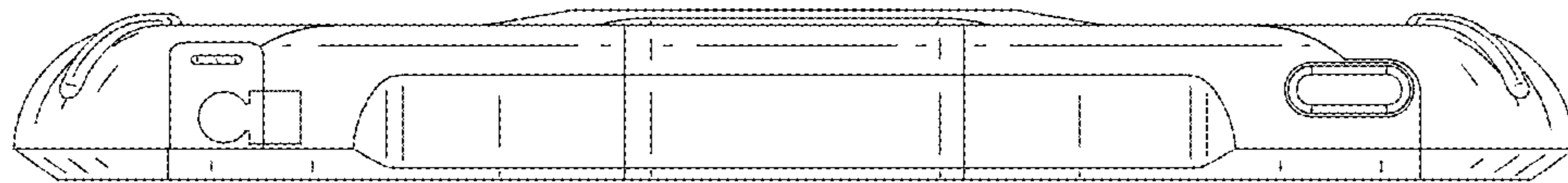


FIG.6

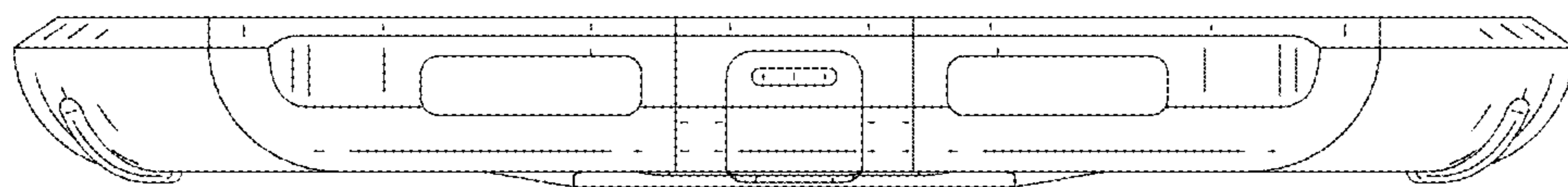


FIG.7

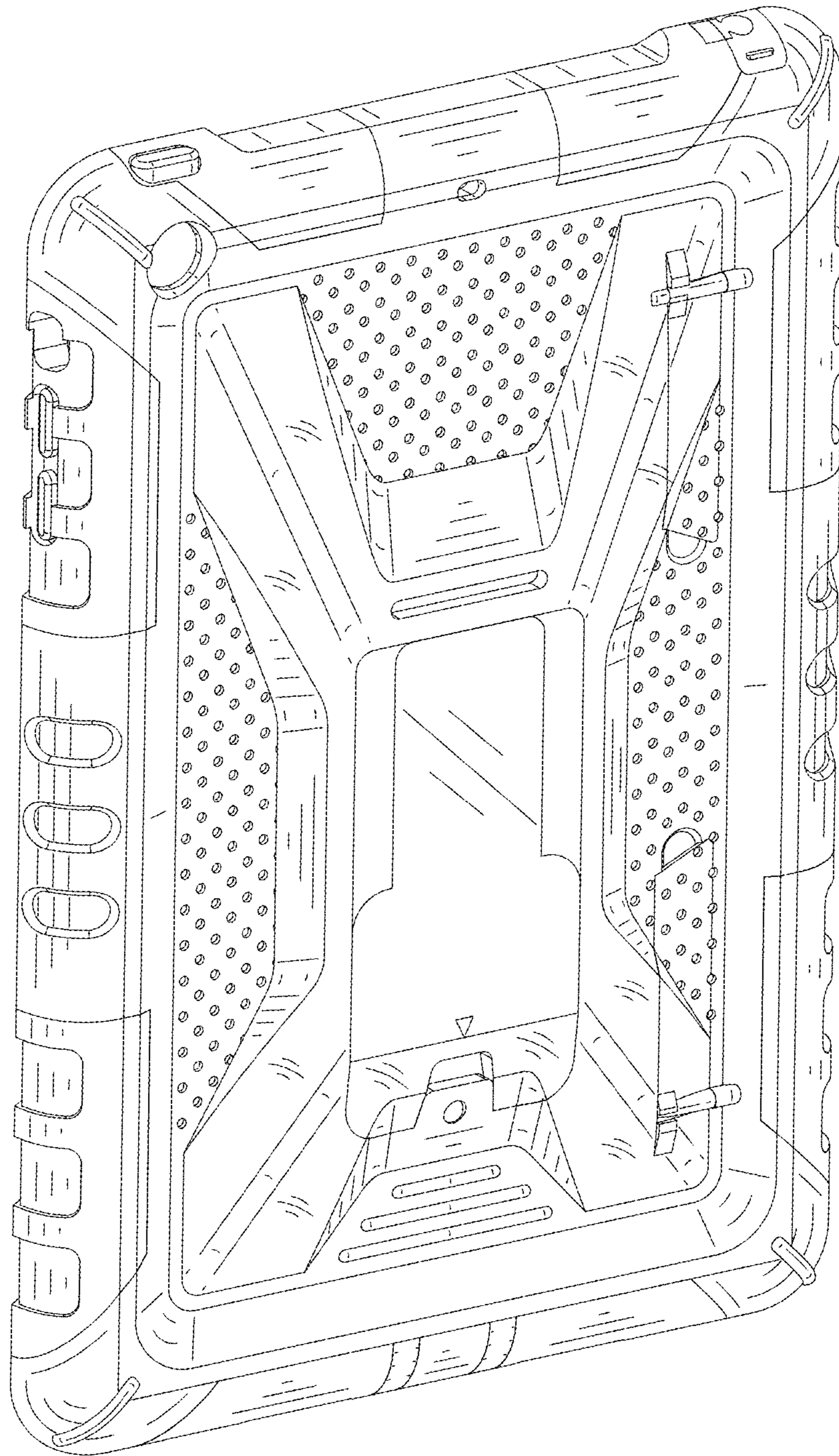


FIG.8



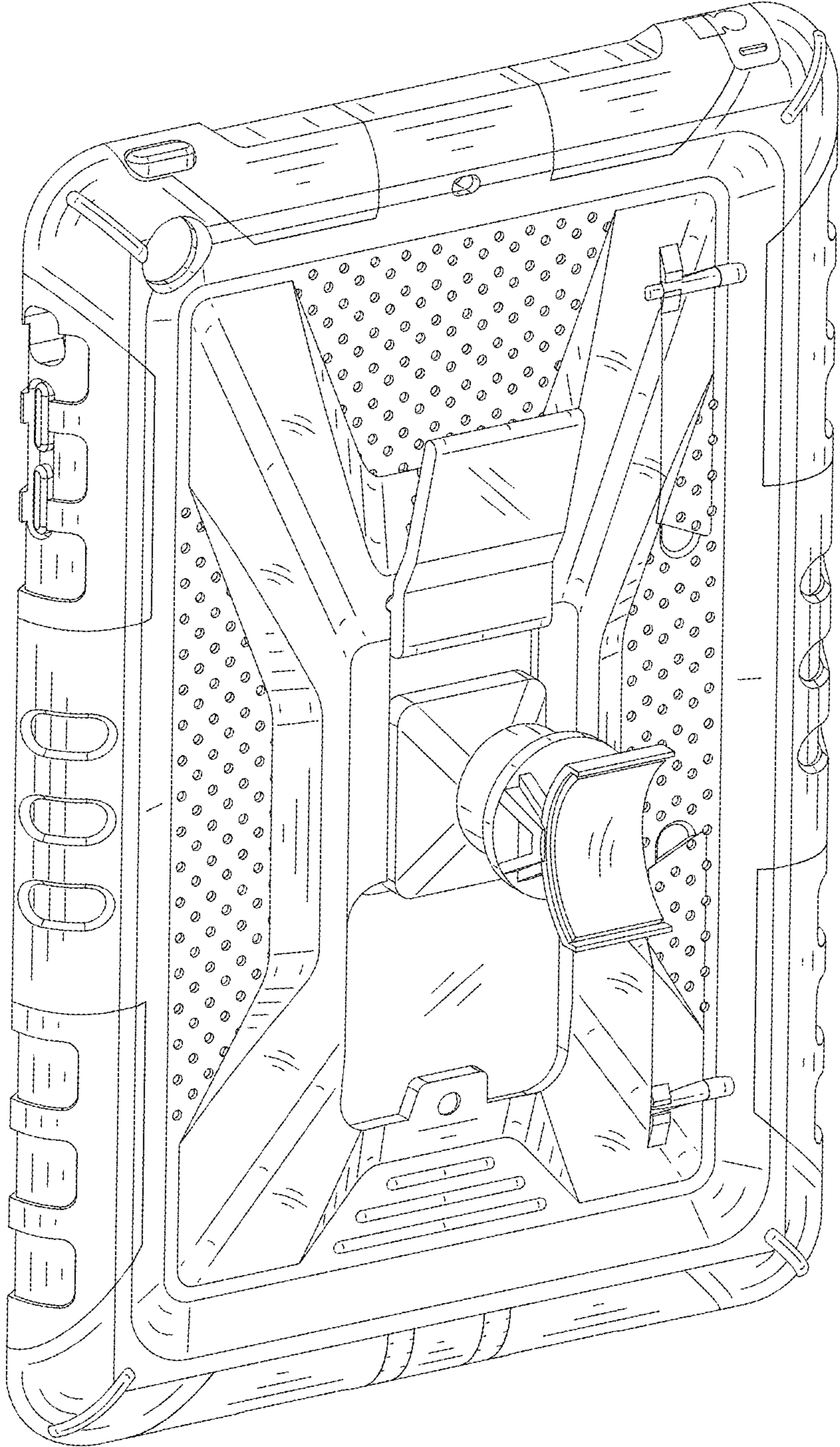


FIG.9

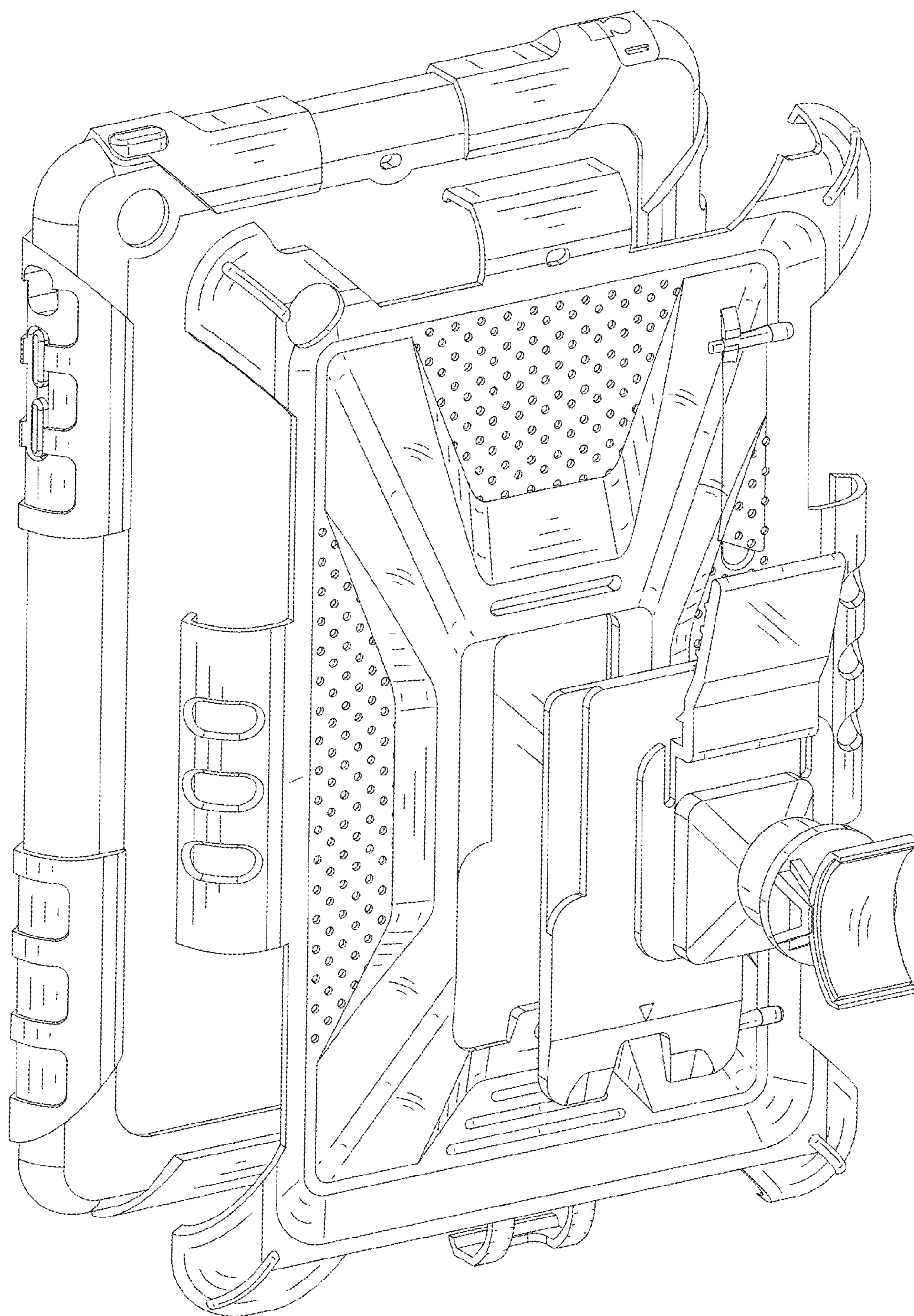


FIG.10

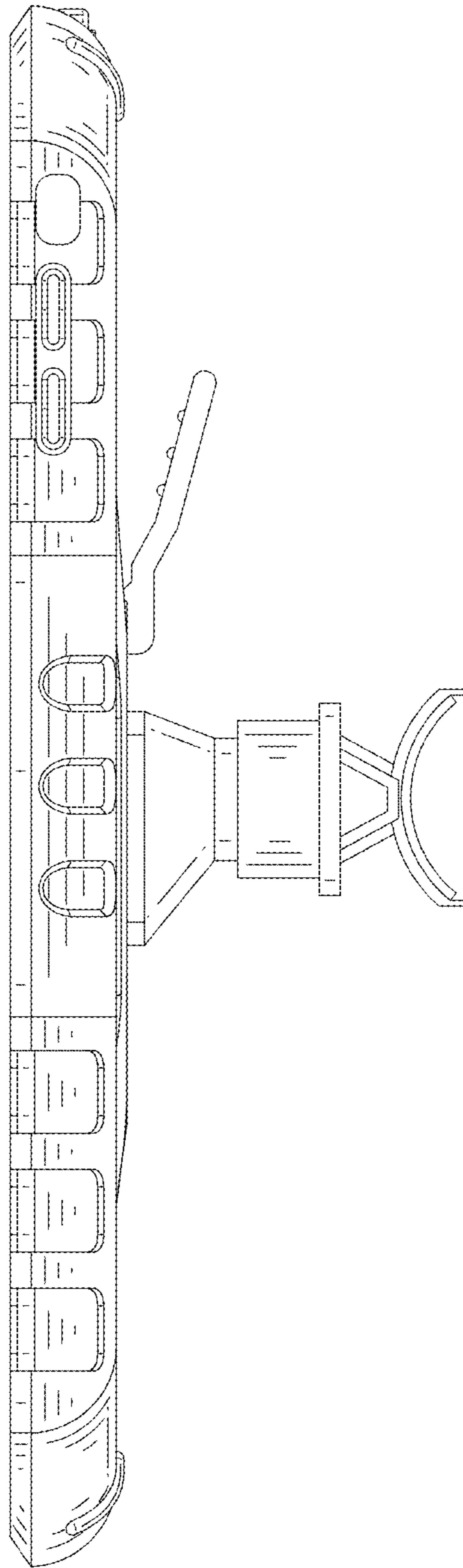


FIG.11