



US00D701209S

(12) **United States Design Patent**
Lim

(10) **Patent No.:** **US D701,209 S**
(45) **Date of Patent:** **** Mar. 18, 2014**

(54) **HOUSING FOR A COMPUTER**
(71) Applicant: **Jonghoon Lim**, Gyeonggi-do (KR)
(72) Inventor: **Jonghoon Lim**, Gyeonggi-do (KR)
(**) Term: **14 Years**
(21) Appl. No.: **29/446,368**
(22) Filed: **Feb. 22, 2013**
(51) **LOC (10) Cl.** **14-02**
(52) **U.S. Cl.**
USPC **D14/439**; D14/307
(58) **Field of Classification Search**
USPC D14/315–327, 384, 432, 439–446, 341,
D14/345, 353–355, 125, 130, 132, 138, 239,
D14/307; D16/202, 208; D9/424–432;
D6/491; D8/403; 235/145 A, 145 R;
341/22, 23; 349/12; 361/680–686;
D20/10, 41, 43
See application file for complete search history.

D420,487 S *	2/2000	Swaine	D99/28
D431,708 S *	10/2000	McCormack et al.	D99/28
D452,712 S *	1/2002	Kim	D20/10
D453,082 S *	1/2002	Kobe et al.	D6/480
D453,574 S *	2/2002	Ciocchini	D25/16
D462,691 S *	9/2002	Attwood et al.	D14/439
D472,275 S *	3/2003	Grosz	D20/41
D550,663 S *	9/2007	Olea	D14/307
D585,943 S *	2/2009	Pymm et al.	D20/10
D593,614 S *	6/2009	Didulo et al.	D20/43
D596,425 S *	7/2009	Dir	D6/495
D665,807 S *	8/2012	Ferrari et al.	D14/439
D678,697 S *	3/2013	Hill	D6/661.3

* cited by examiner

Primary Examiner — Austin Murphy
(74) *Attorney, Agent, or Firm* — Amster, Rothstein & Ebenstein, LLP

(57) **CLAIM**
The ornamental design for the housing for a computer, as shown and described.

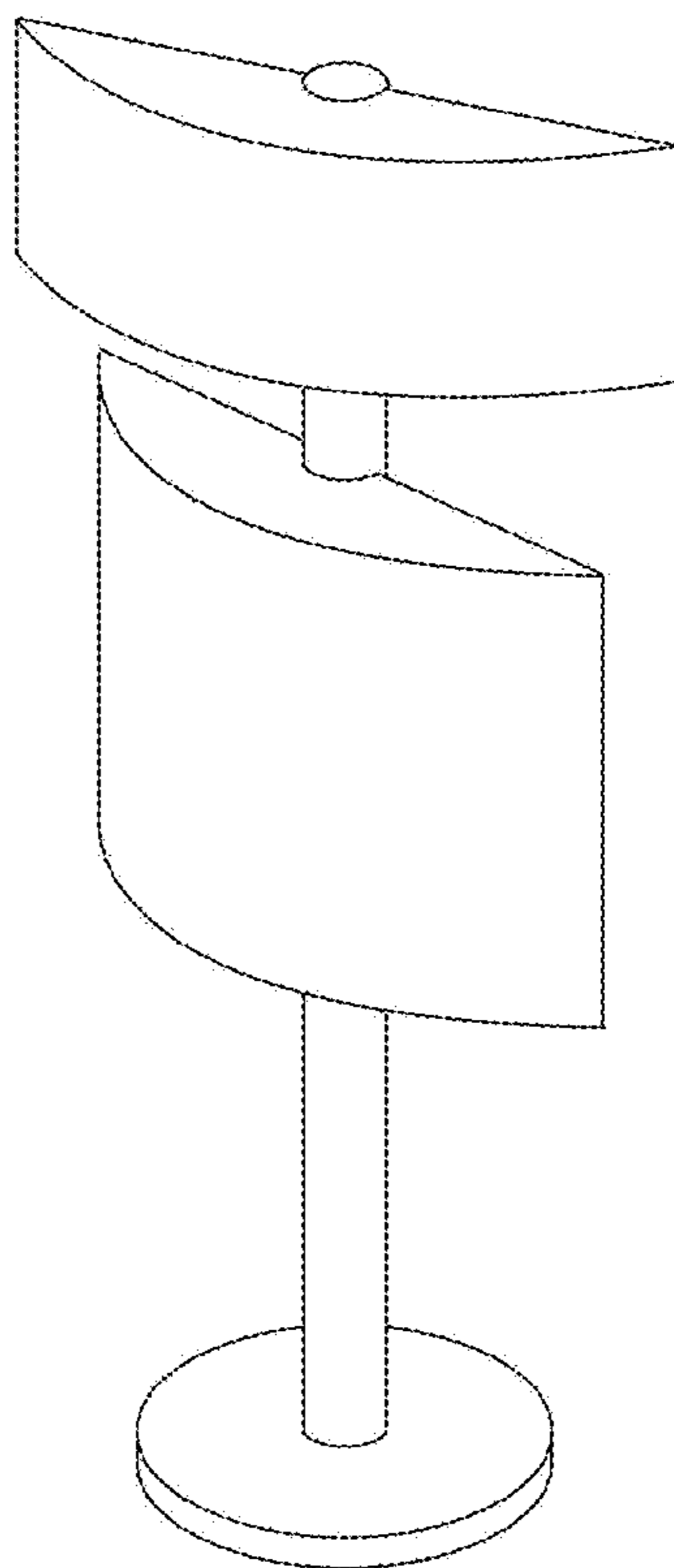
DESCRIPTION

FIG. 1 is the bottom plan view of the housing for a computer; FIG. 2 is the front view of the housing for a computer; FIG. 3 is left side view of the housing for a computer; FIG. 4 is the perspective view of the housing for a computer; FIG. 5 is the rear view of the housing for a computer; FIG. 6 is the right side view of the housing for a computer; and, FIG. 7 is the top plan view of the housing for a computer.

1 Claim, 7 Drawing Sheets

(56) **References Cited**
U.S. PATENT DOCUMENTS

D139,893 S *	1/1945	Roberts et al.	D6/481
D257,705 S *	12/1980	Framer	D6/421
D346,867 S *	5/1994	Montilla	D25/16
D379,375 S *	5/1997	Bowman	D20/10
D397,130 S *	8/1998	Tudico	D16/215
5,940,229 A *	8/1999	Baumgarten	359/839



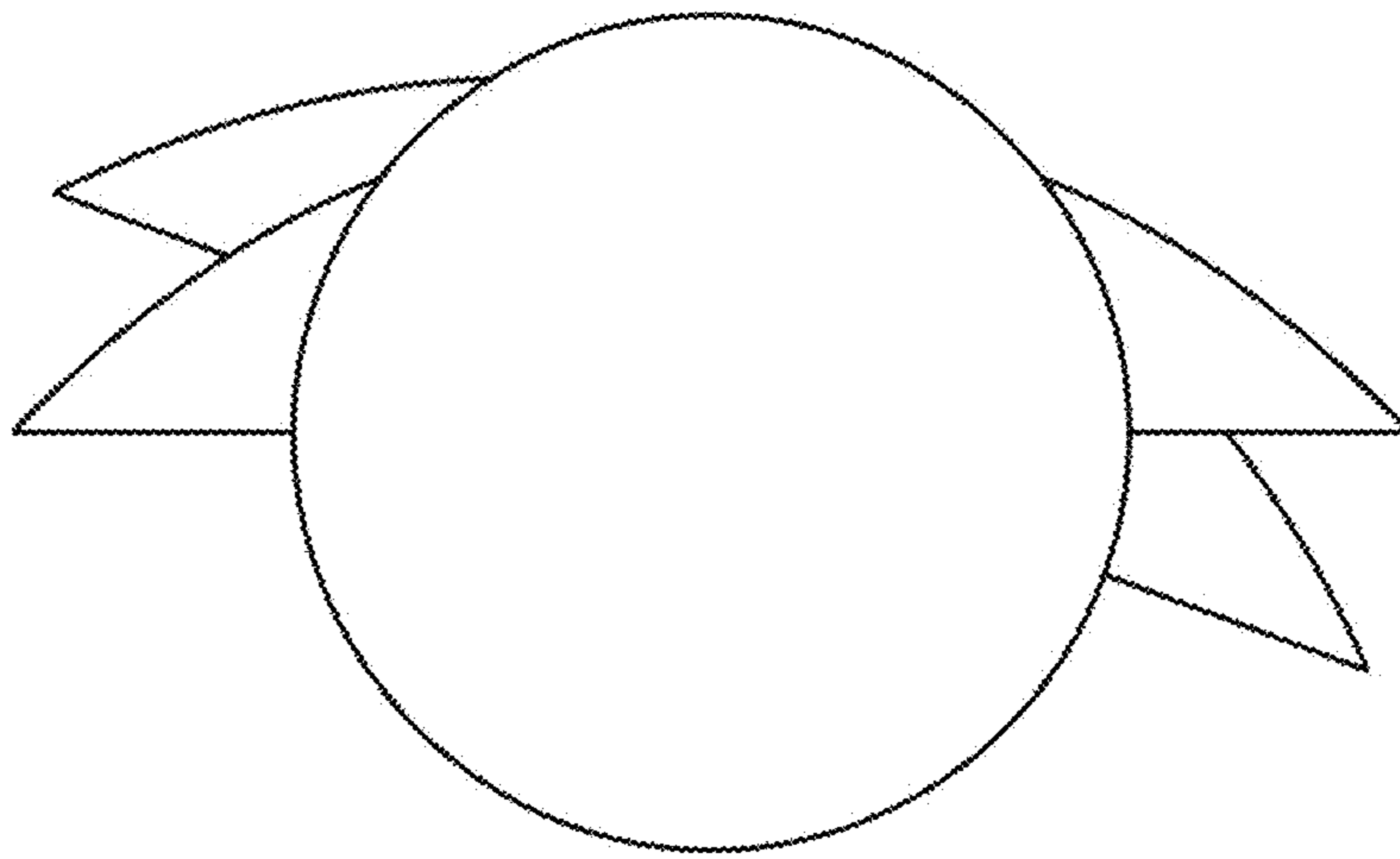


FIG. 1

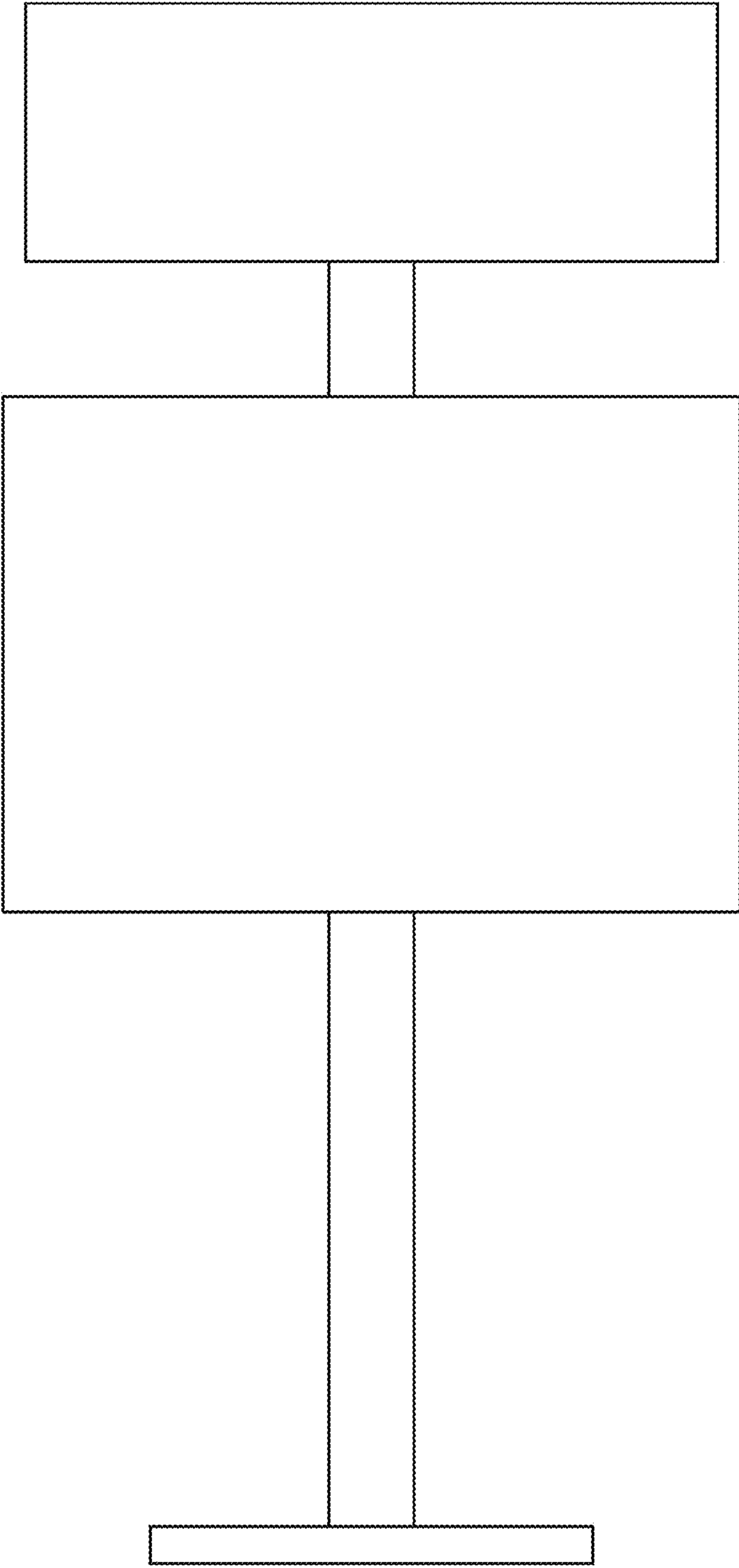


FIG. 2

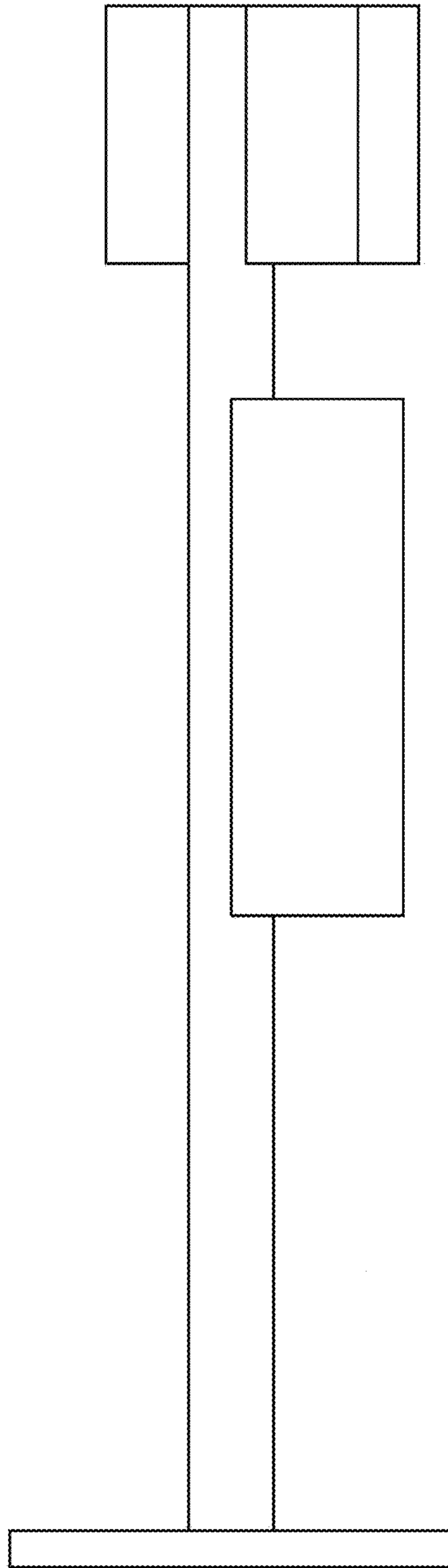


FIG. 3

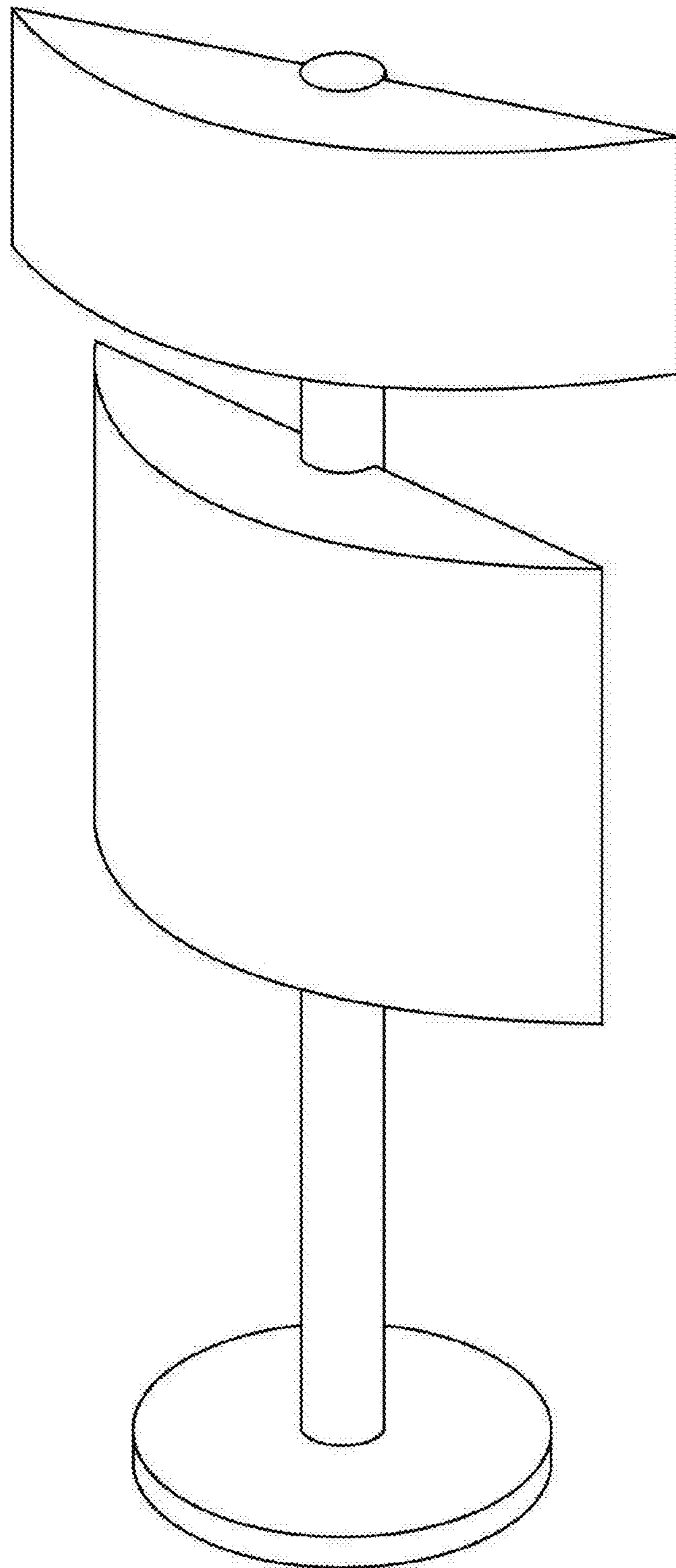


FIG. 4

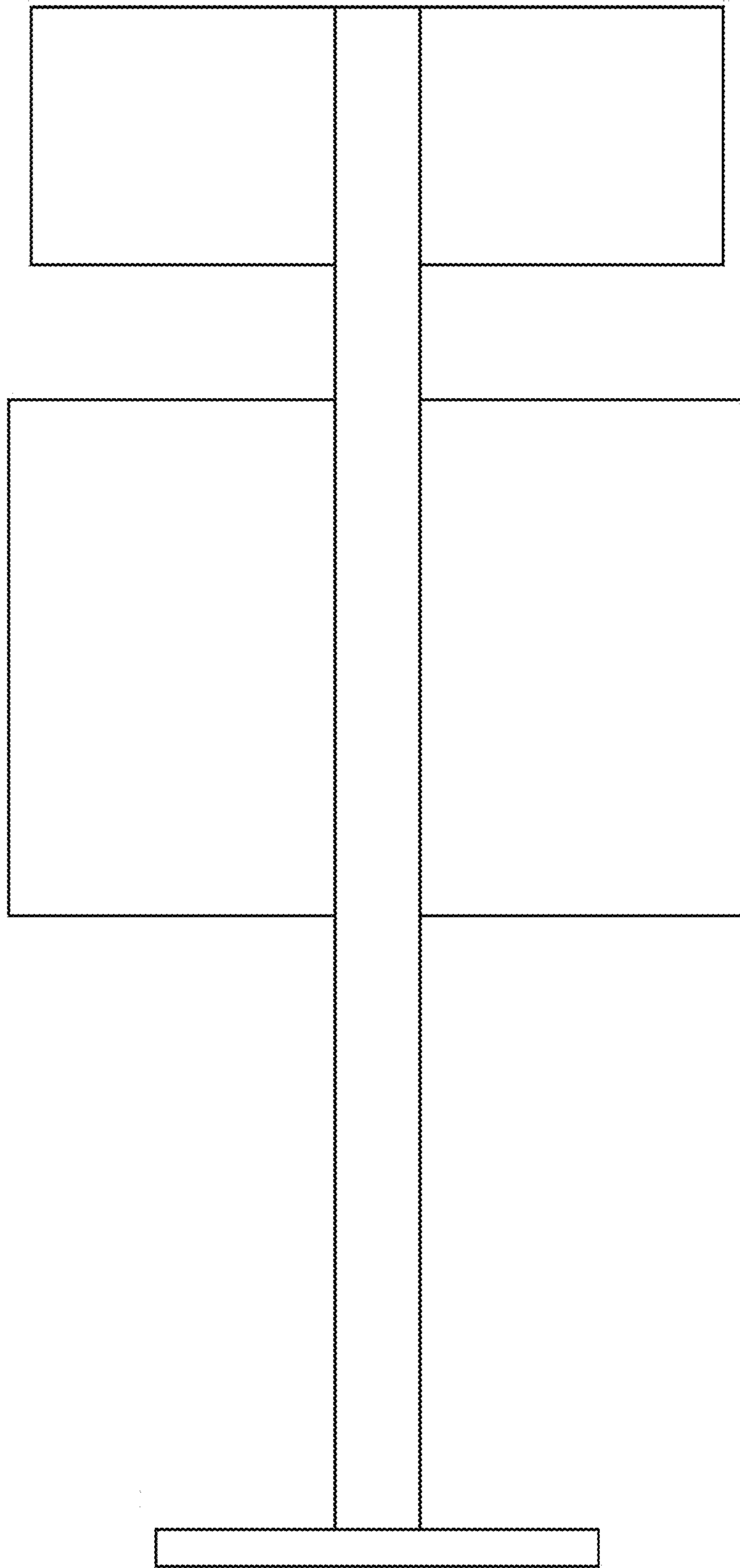


FIG. 5

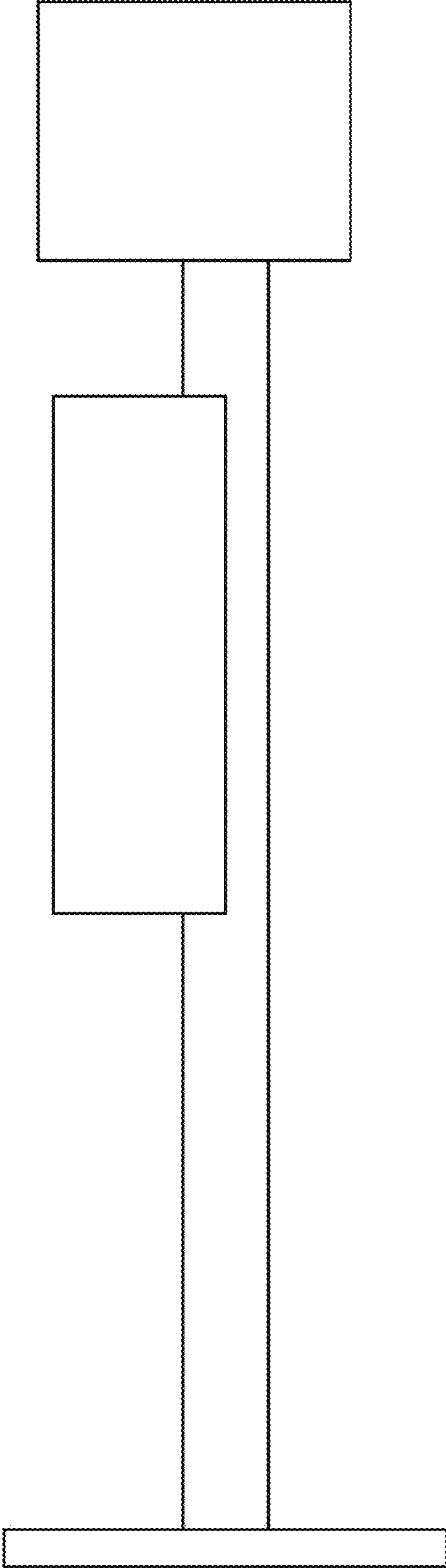


FIG. 6

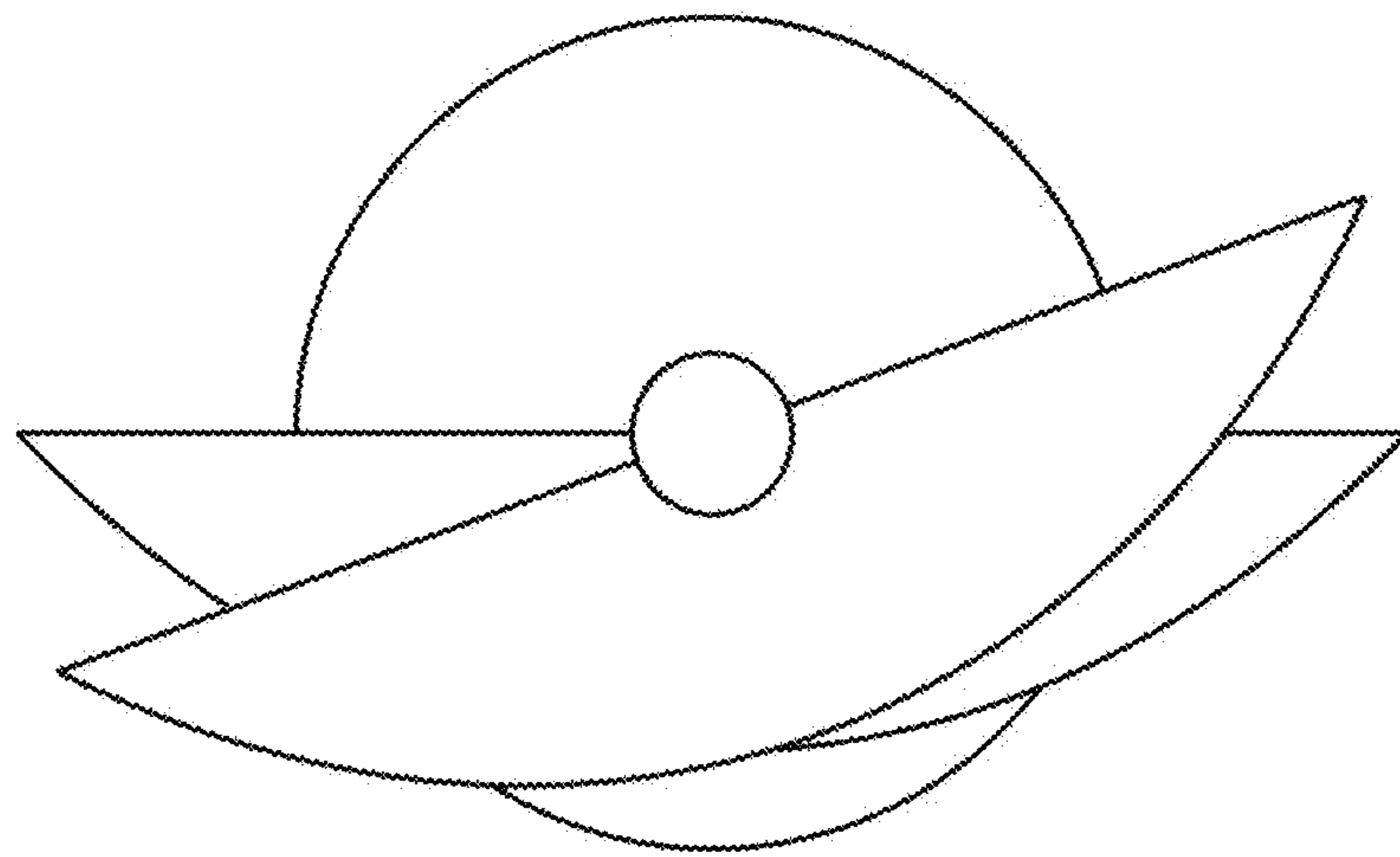


FIG. 7