



US00D701208S

(12) **United States Design Patent**  
**Ai et al.**

(10) **Patent No.:** **US D701,208 S**  
(45) **Date of Patent:** **\*\* Mar. 18, 2014**

(54) **DISPLAY FOR A PORTABLE DISPLAY DEVICE**

(71) Applicant: **Apple Inc.**, Cupertino, CA (US)

(72) Inventors: **Jiang Ai**, Cupertino, CA (US); **Jody Akana**, San Francisco, CA (US); **Bartley K. Andre**, Menlo Park, CA (US); **Jeremy Bataillou**, San Francisco, CA (US); **Sean Stewart Corbin**, San Jose, CA (US); **Daniel J. Coster**, San Francisco, CA (US); **Daniele De Iuliis**, San Francisco, CA (US); **Jeremy Contini Franklin**, San Francisco, CA (US); **M. Evans Hankey**, San Francisco, CA (US); **Julian Hoenig**, San Francisco, CA (US); **Richard P. Howarth**, San Francisco, CA (US); **Jonathan P. Ive**, San Francisco, CA (US); **Duncan Robert Kerr**, San Francisco, CA (US); **Stephen McClure**, San Francisco, CA (US); **Shin Nishibori**, Kailua, HI (US); **Amy Qian**, San Jose, CA (US); **John Raff**, Menlo Park, CA (US); **Matthew Dean Rohrbach**, San Francisco, CA (US); **Peter Russell-Clarke**, San Francisco, CA (US); **Mikael Silvano**, San Francisco, CA (US); **Christopher J. Stringer**, Woodside, CA (US); **Eugene Antony Whang**, San Francisco, CA (US); **Rico Zörkendörfer**, San Francisco, CA (US)

(73) Assignee: **Apple Inc.**, Cupertino, CA (US)

(\*\*) Term: **14 Years**

(21) Appl. No.: **29/440,576**

(22) Filed: **Dec. 21, 2012**

(51) **LOC (10) Cl.** ..... **14-02**

(52) **U.S. Cl.**  
USPC ..... **D14/439**

(58) **Field of Classification Search**

USPC ..... D14/341-347, 424, 425, 432-453, 464, D14/468, 469, 471, 496, 511, 138 AA, D14/138 AD, 138 C, 138 G, 203.1-203.8, D14/217, 238.1, 248, 250, 257, 299; 361/679.01, 679.02, 679.03, 679.3, 361/679.55, 679.56; 455/550.1, 556.1, 455/556.2, 575.1, 575.3-575.5, 575.8, 455/90.3; D9/456, 457, 434; D6/300, 314, D6/310; D10/65

See application file for complete search history.

(56) **References Cited**

U.S. PATENT DOCUMENTS

D304,448 S 11/1989 De La Cruz et al.  
D313,409 S \* 1/1991 Chowdhree et al. .... D14/389

(Continued)

FOREIGN PATENT DOCUMENTS

TW 523339 3/2003

*Primary Examiner* — Austin Murphy

(74) *Attorney, Agent, or Firm* — Sterne, Kessler, Goldstein & Fox PLLC

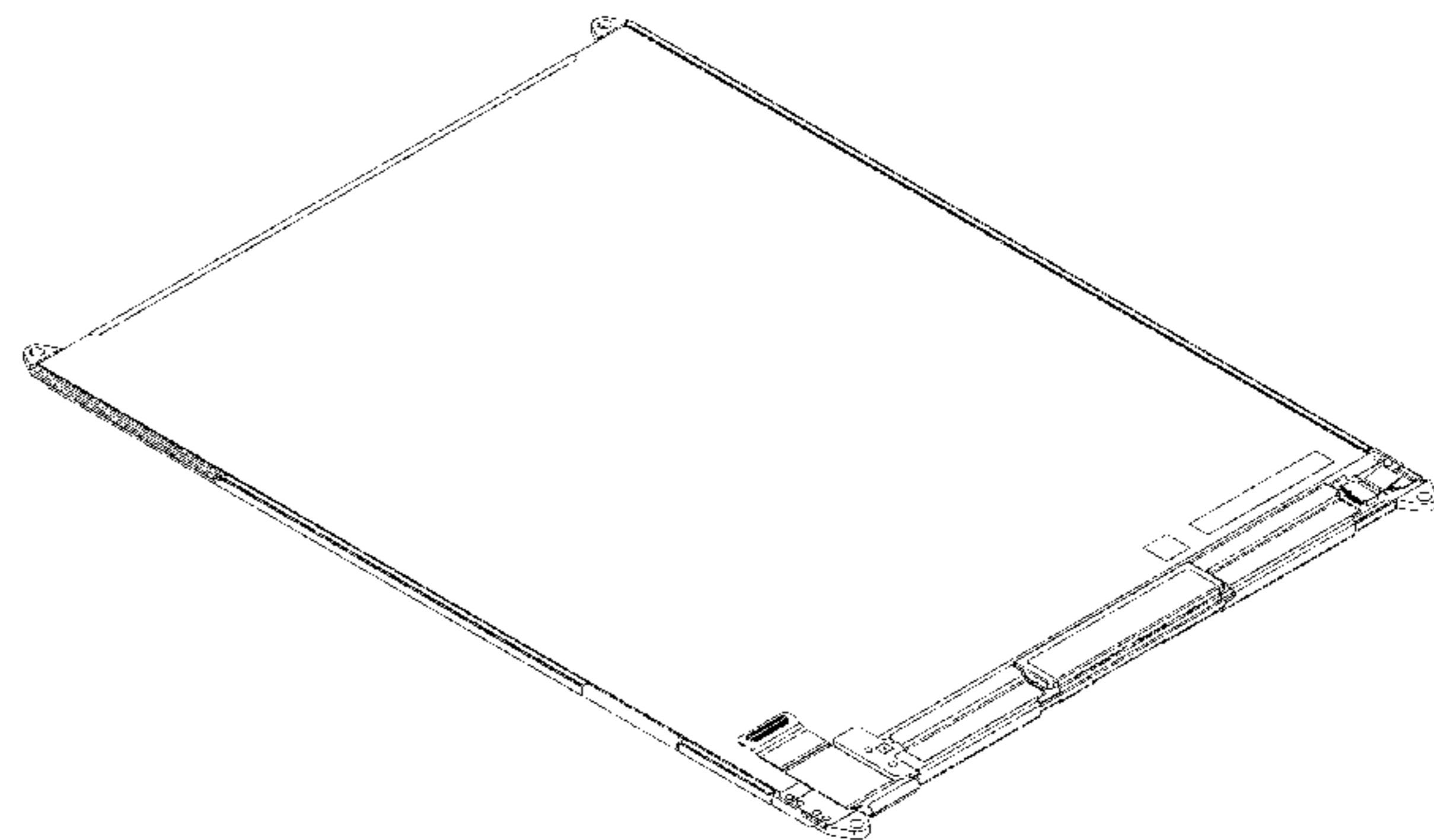
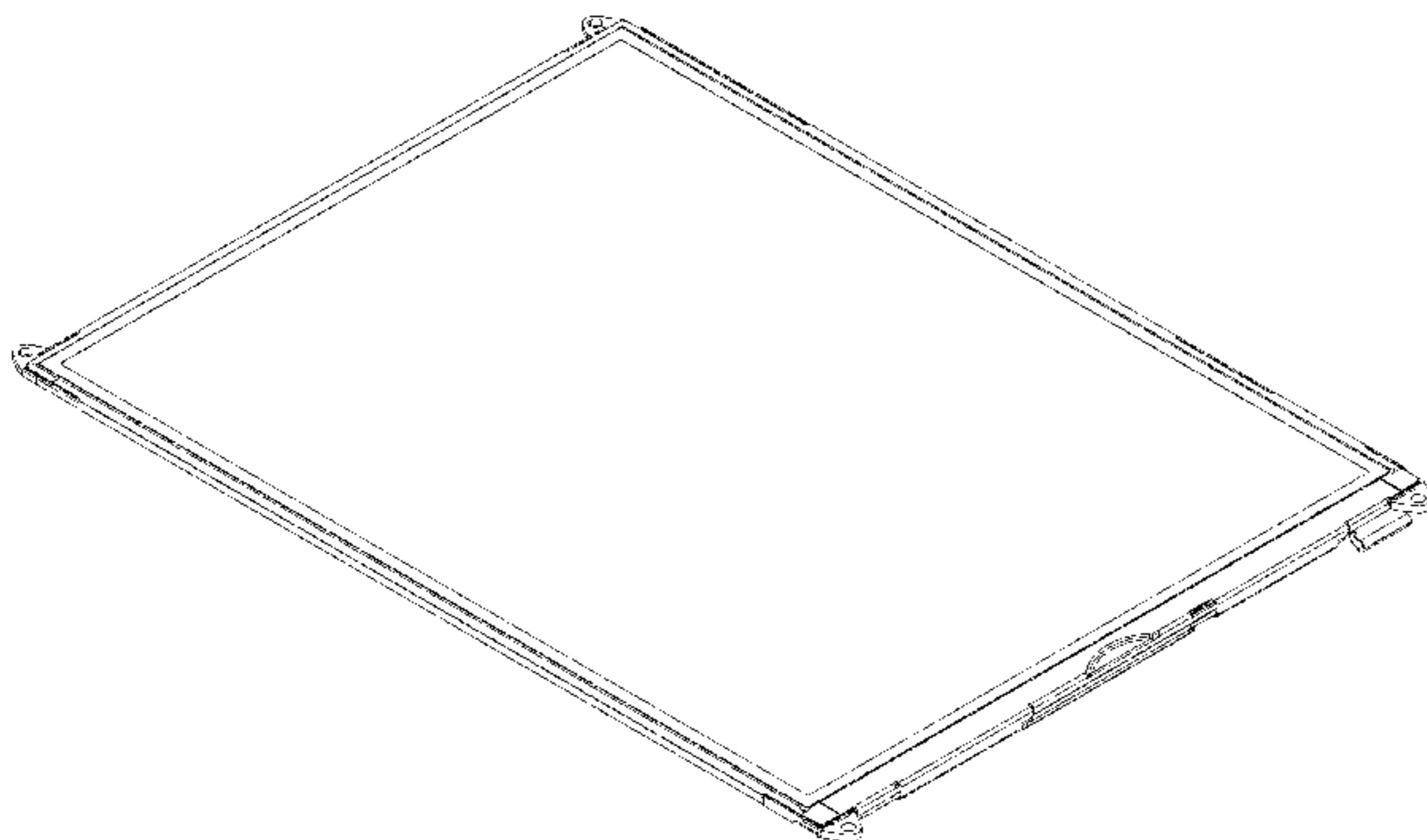
(57) **CLAIM**

The ornamental design for a display for a portable display device, as shown and described.

**DESCRIPTION**

FIG. 1 is a bottom front perspective view of a display for a portable display device showing our new design; FIG. 2 is a bottom rear perspective view thereof; FIG. 3 is a front view thereof; FIG. 4 is a left side view thereof; FIG. 5 is a right side view thereof; FIG. 6 is a top view thereof; and, FIG. 7 is a bottom view thereof.

**1 Claim, 5 Drawing Sheets**



(56)

**References Cited**

U.S. PATENT DOCUMENTS

D364,153 S *	11/1995	Umaba et al. ....	D14/374	D641,352 S *	7/2011	Flagiello et al. ....	D14/341
D406,114 S *	2/1999	Ham et al. ....	D14/341	D647,106 S	10/2011	Akana et al.	
6,256,878 B1 *	7/2001	Keane .....	29/841	8,116,073 B2	2/2012	Hung et al.	
D489,071 S	4/2004	Nishioka et al.		D661,707 S	6/2012	Akana et al.	
D494,164 S *	8/2004	Wu et al. ....	D14/341	D667,412 S *	9/2012	Wang et al. ....	D14/439
D543,979 S *	6/2007	Lee .....	D14/341	D668,250 S *	10/2012	Flagiello et al. ....	D14/341
D556,203 S *	11/2007	Lee .....	D14/439	D671,947 S *	12/2012	Akana et al. ....	D14/439
D580,431 S *	11/2008	Morita .....	D14/341	D675,210 S *	1/2013	Kim .....	D14/440
D611,469 S *	3/2010	Andre et al. ....	D14/315	D677,659 S *	3/2013	Akana et al. ....	D14/341
D627,777 S *	11/2010	Akana et al. ....	D14/341	D678,288 S *	3/2013	Feldstein et al. ....	D14/439
D637,596 S *	5/2011	Akana et al. ....	D14/341	D681,632 S *	5/2013	Akana et al. ....	D14/341
D639,266 S *	6/2011	DeLorenzo et al. ....	D14/142	D681,639 S *	5/2013	Cruz et al. ....	D14/385
				D682,830 S *	5/2013	Taunay da Graca Couto .....	D14/385

\* cited by examiner

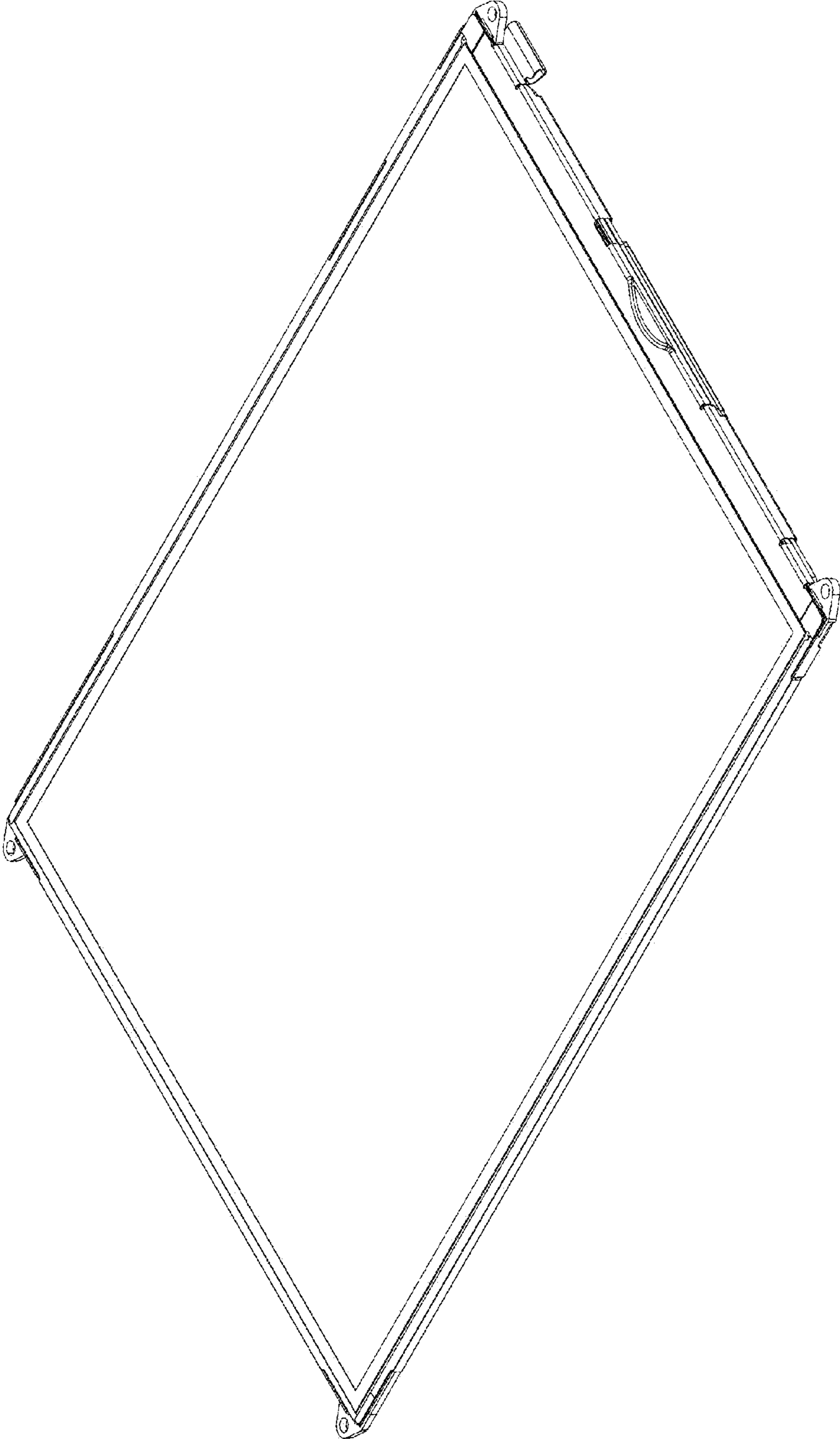


FIG. 1

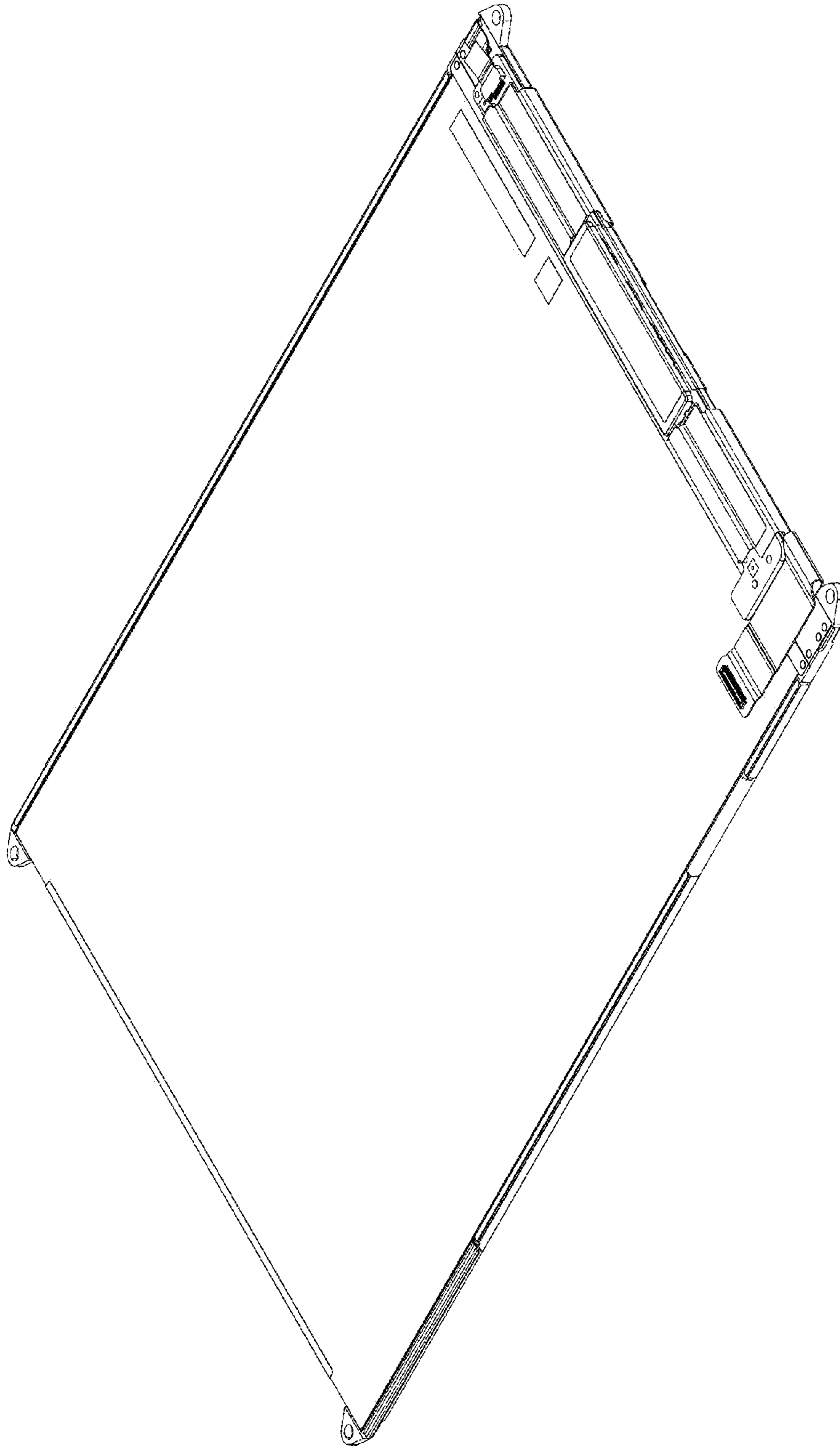


FIG. 2

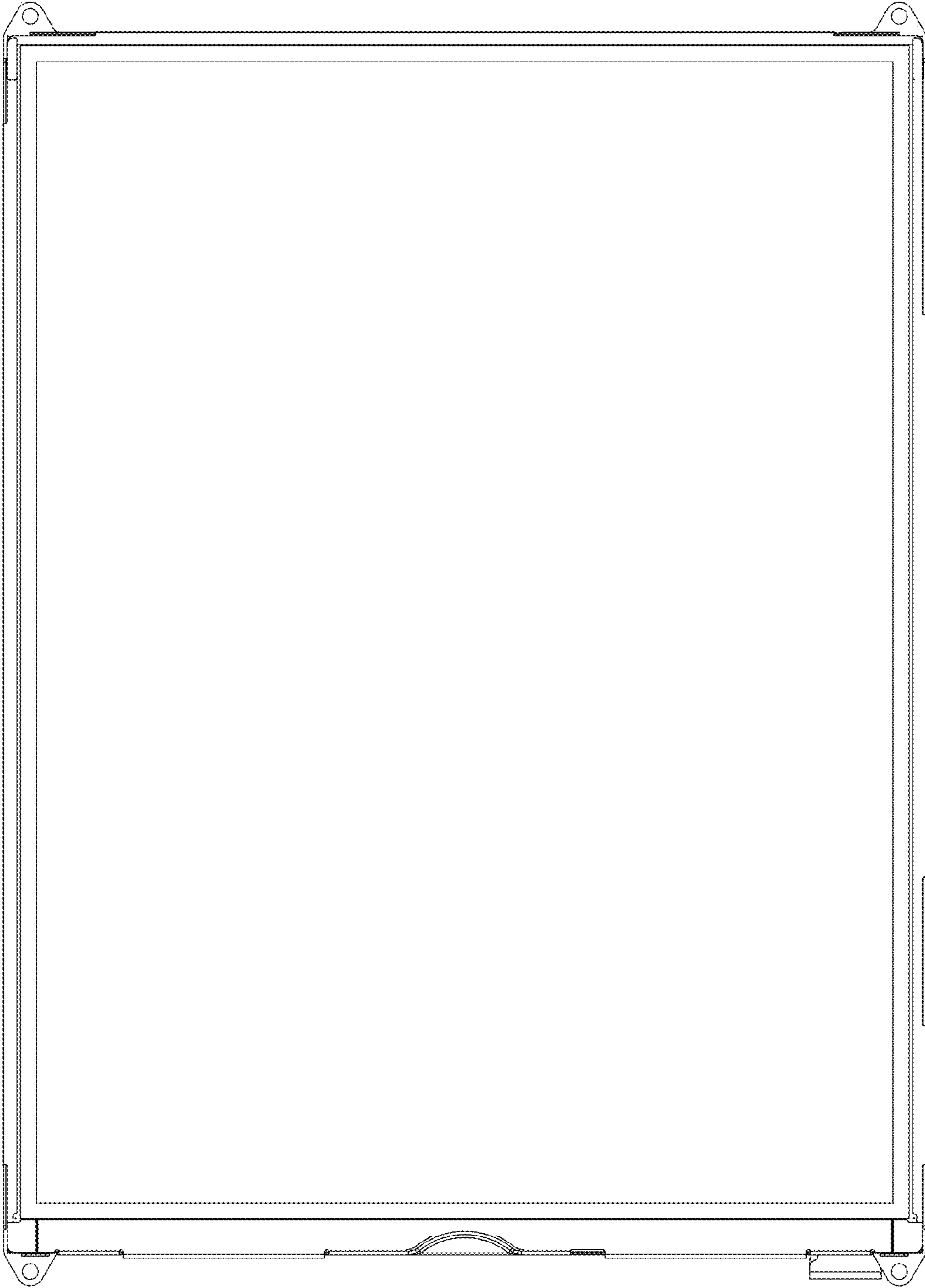


FIG. 3

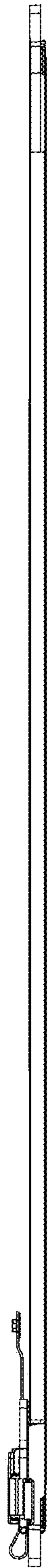


FIG. 4



FIG. 5

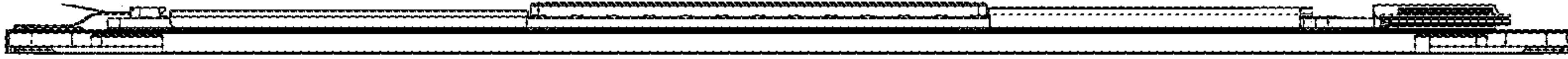


FIG. 6



FIG. 7