



US00D701207S

(12) **United States Design Patent**
van den Heuvel et al.

(10) **Patent No.:** **US D701,207 S**
(45) **Date of Patent:** **** Mar. 18, 2014**

(54) **DEPLOYABLE FLIGHT RECORDER HOUSING**

(71) Applicant: **DRS C3 & Aviation Company,**
Herndon, VA (US)

(72) Inventors: **Blake van den Heuvel,** Herndon, VA (US); **Ari Kaufmann,** Herndon, VA (US); **Mark Woozley,** Herndon, VA (US)

(73) Assignee: **DRS C3 & Aviation Company,**
Herndon, VA (US)

(**) Term: **14 Years**

(21) Appl. No.: **29/449,264**

(22) Filed: **Mar. 14, 2013**

(51) **LOC (10) Cl.** **14-02**

(52) **U.S. Cl.**
USPC **D14/432; D14/479; D14/167**

(58) **Field of Classification Search**
USPC D14/167, 154, 168, 188, 496, 156, 160, D14/161, 162, 163, 164, 165, 158, 203.1, D14/341, 346, 342, 345, 225, 226, 228, 227, D14/214, 424, 432, 505; 455/351, 350; D10/67; D12/400; 369/44.14, 44.32; 700/94; 361/679.01; 244/1 R
See application file for complete search history.

(56) **References Cited**

U.S. PATENT DOCUMENTS

| | | | | |
|-----------|-----|--------|--------------|---------|
| 3,140,847 | A | 7/1964 | Ames, Jr. | |
| 4,996,909 | A * | 3/1991 | Vache et al. | 454/184 |
| D413,316 | S * | 8/1999 | Klinker | D14/432 |
| D436,357 | S * | 1/2001 | Klinker | D14/432 |
| D470,450 | S * | 2/2003 | Olzak | D12/400 |

(Continued)

FOREIGN PATENT DOCUMENTS

| | | |
|----|--------|--------|
| CA | 530127 | 9/1956 |
| CA | 575533 | 5/1959 |

(Continued)

OTHER PUBLICATIONS

Automatic Deployable Flight Recorder (ADFR). Datasheet. DRS Technologies, Inc., DRS Integrated Defense Systems and Services (IDSS) Group. Nov. 15, 2012. 2 pages.

(Continued)

Primary Examiner — Austin Murphy

(74) *Attorney, Agent, or Firm* — Kilpatrick Townsend & Stockton LLP

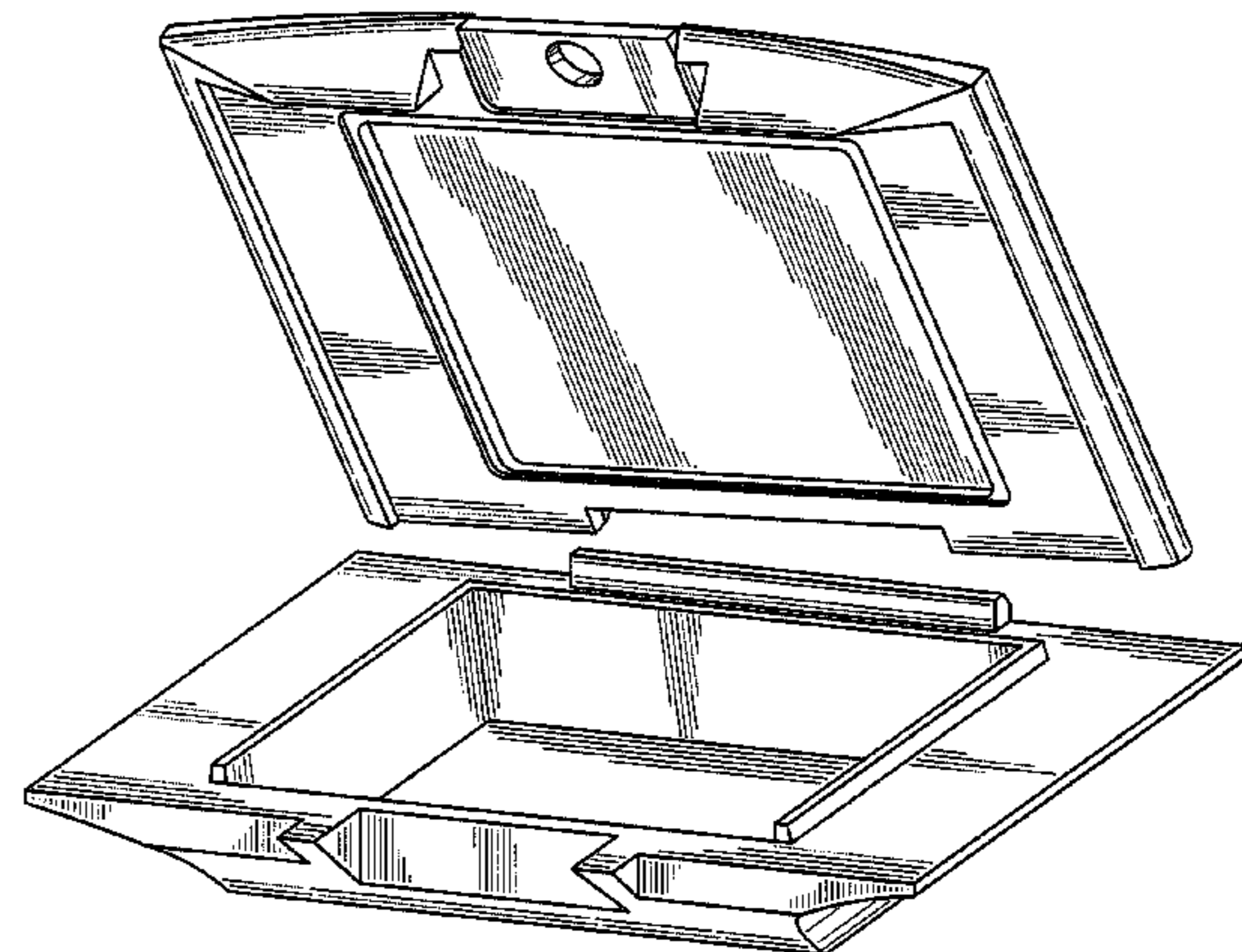
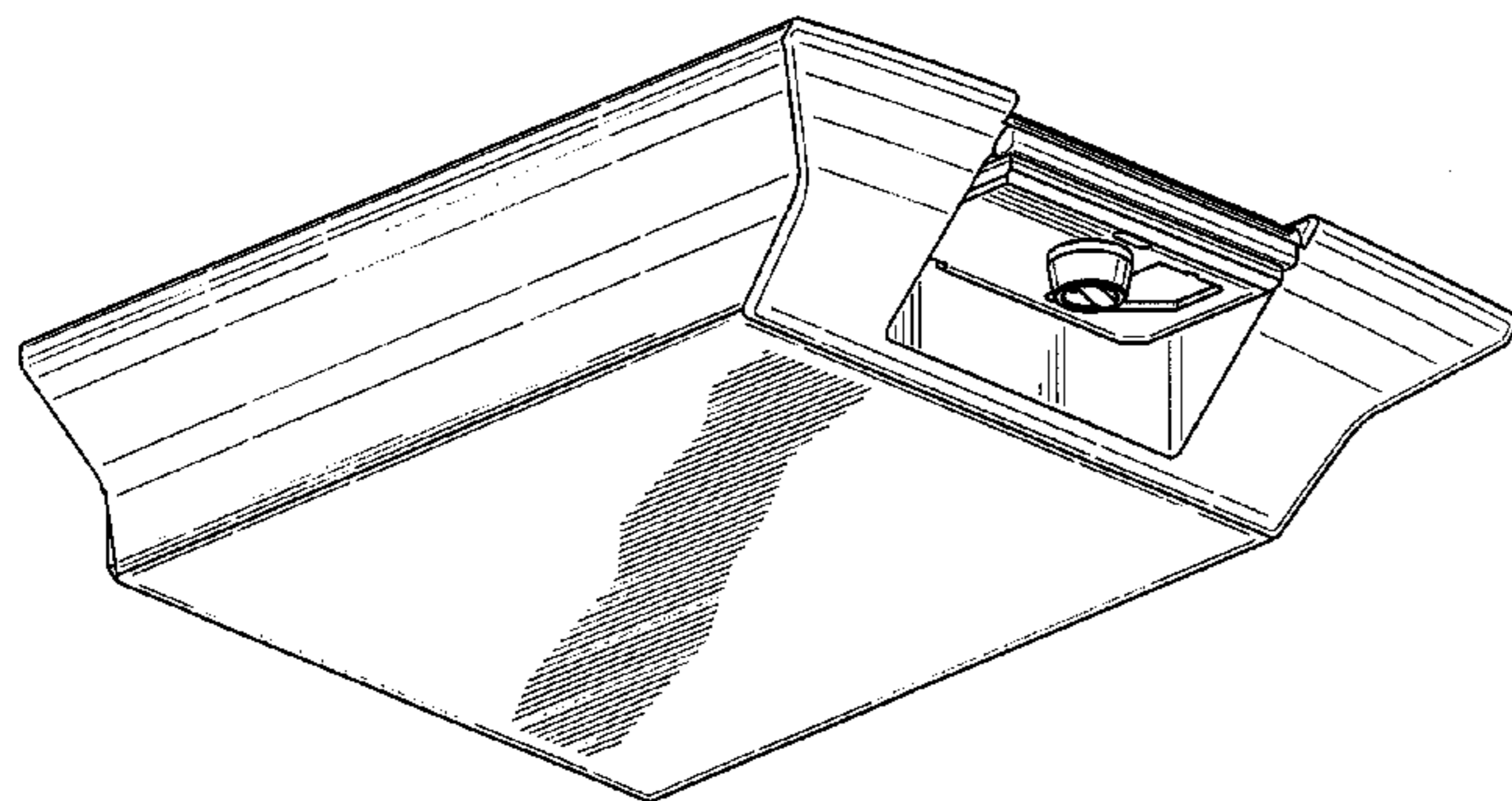
(57) **CLAIM**

The ornamental design for deployable flight recorder housing, as shown and described.

DESCRIPTION

FIG. 1 is a perspective view from the bottom of a deployable flight recorder housing showing our new design; FIG. 2 is a perspective view from the top of the deployable flight recorder housing; FIG. 3 is a back side view of the deployable flight recorder housing; FIG. 4 is a bottom view of the deployable flight recorder housing; FIG. 5 is a front side view of the deployable flight recorder housing; FIG. 6 is a top view of the deployable flight recorder housing; FIG. 7 is a right side view of the deployable flight recorder housing, the left side view being a mirror image thereof; and, FIG. 8 is a perspective view of the deployable flight recorder housing, shown in an opened position. In the drawings, shaded areas represent environment that forms no part of the claim.

1 Claim, 6 Drawing Sheets



(56)

References Cited

U.S. PATENT DOCUMENTS

| | | | | | |
|--------------|------|---------|-------------------------|-------|------------|
| D586,800 | S * | 2/2009 | Andre et al. | | D14/341 |
| D608,362 | S * | 1/2010 | Barron et al. | | D14/424 |
| D662,501 | S * | 6/2012 | Lohman | | D14/432 |
| D662,937 | S * | 7/2012 | Lohman | | D14/432 |
| 8,493,715 | B1 * | 7/2013 | Angelucci | | 361/679.01 |
| 2012/0113575 | A1 | 5/2012 | Uy et al. | | |
| 2012/0138741 | A1 | 6/2012 | Fabre et al. | | |
| 2012/0166037 | A1 | 6/2012 | Vinue Santolalla et al. | | |
| 2012/0310487 | A1 | 12/2012 | Thomas et al. | | |

FOREIGN PATENT DOCUMENTS

| | | |
|----|---------|---------|
| CA | 610741 | 12/1960 |
| CA | 886721 | 11/1971 |
| CA | 898617 | 4/1972 |
| CA | 1256916 | 7/1989 |

OTHER PUBLICATIONS

Deployable Flight Data Recorder System. Datasheet [online]. Fairchild Controls, Inc. [retrieved on Apr. 15, 2013]. Retrieved from the Internet: <<http://www.fairchild-controls.com/wp-content/uploads/2011/10/FC-VFDRS-brochure.pdf>>, 2 pages.
 Cornillou, Jean-Charles (2011). *International Cospas-Sarsat Programme: From operations to MEOSAR prospects* [PowerPoint

slides], [retrieved on Jun. 26, 2013]. Retrieved from the Ifremer website: <URL: http://www.ifremer.fr/web-com/sar2011/Presentations/SARWS2011_CORNILLOU.pdf>, 23 pages. [earliest known date of availability on May 12, 2011].

CPI-406 Deployable Emergency Locator Transmitter (ELT). Datasheet [online]. DRS C3 & Aviation Company, [retrieved on Nov. 20, 2013]. Retrieved from the Internet: <URL: <http://www.drs.com/Products/c3a/CPI406.aspx>>, 2 pages. [earliest known date of availability on Jul. 18, 2010].

Deployable Flight Incident Recorder Set (DFIRS) 2100. Datasheet [online]. DRS C3 & Aviation Company, [retrieved on Nov. 20, 2013]. Retrieved from the Internet: <URL: <http://www.drs.com/Products/c3a/DFIRS2100.aspx>>, 2 pages. [earliest known date of availability on Sep. 4, 2010].

Emergency Avionics System 3000 (EAS3000). Datasheet [online]. DRS C3 & Aviation Company, [retrieved on Nov. 20, 2013]. Retrieved from the Internet: <URL: <http://www.drs.com/Products/c3a/EAS3000.aspx>>, 2 pages. [earliest known date of availability on Jul. 21, 2010].

ELB3000F and EAS3000F Emergency Locator/Recorder System. Datasheet. DRS Data & Imaging Systems, Inc., [retrieved on Nov. 27, 2013]. Retrieved from the Internet: <URL: <http://www.drs.com/Products/c3a/3000f.aspx>>, 4 pages. [earliest known date of availability on Sep. 4, 2010].

* cited by examiner

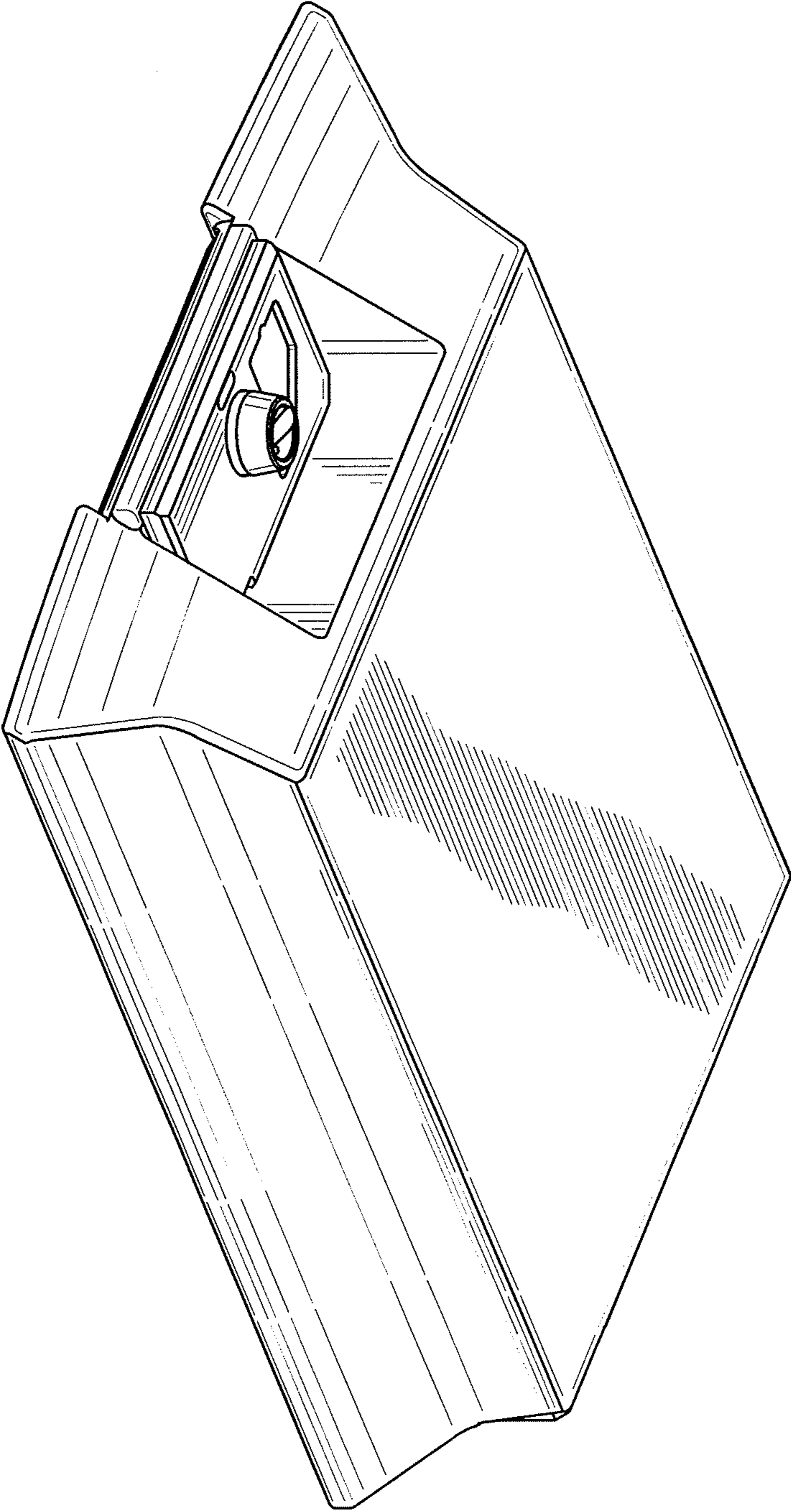


FIG. 1

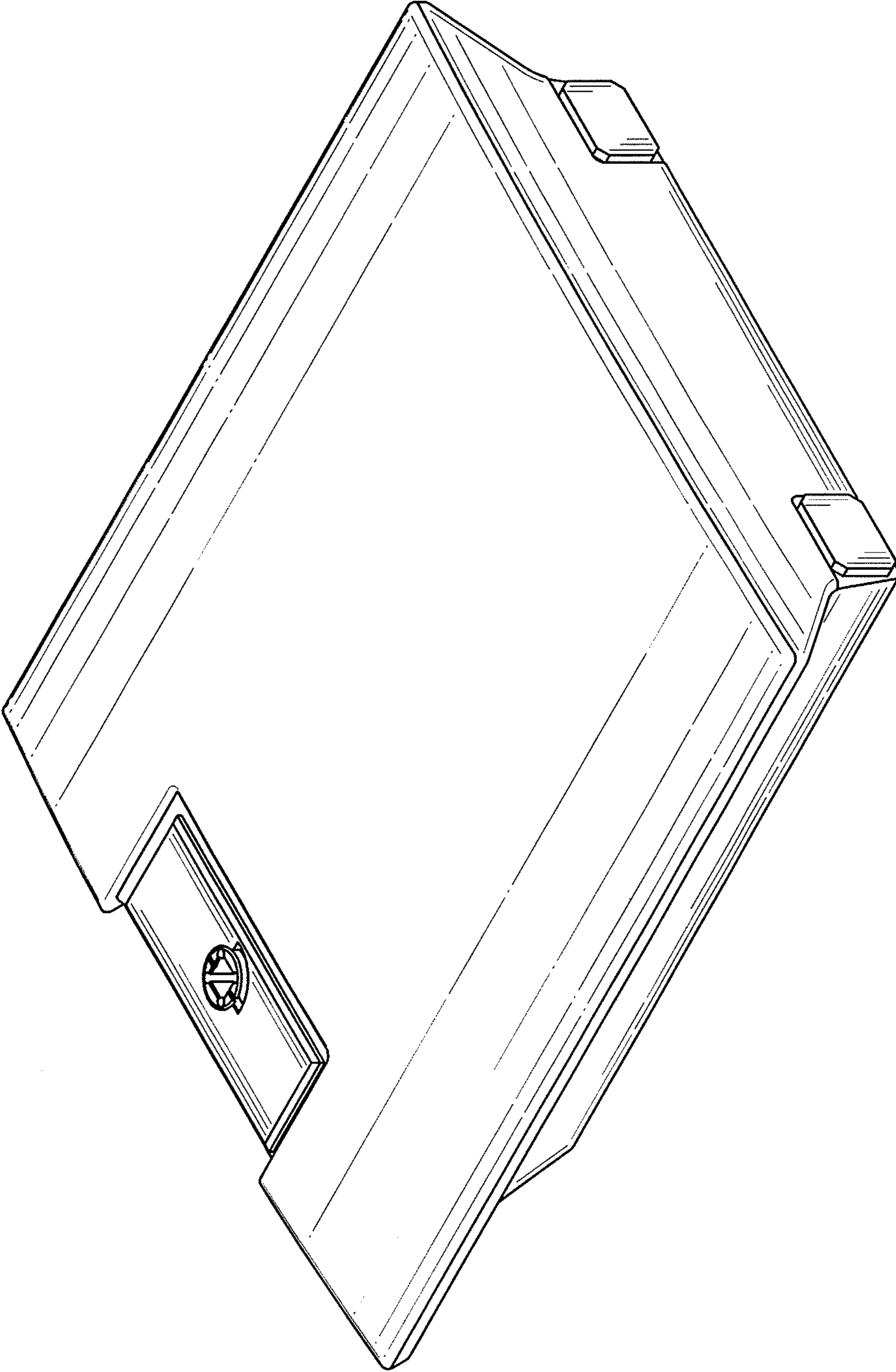


FIG. 2

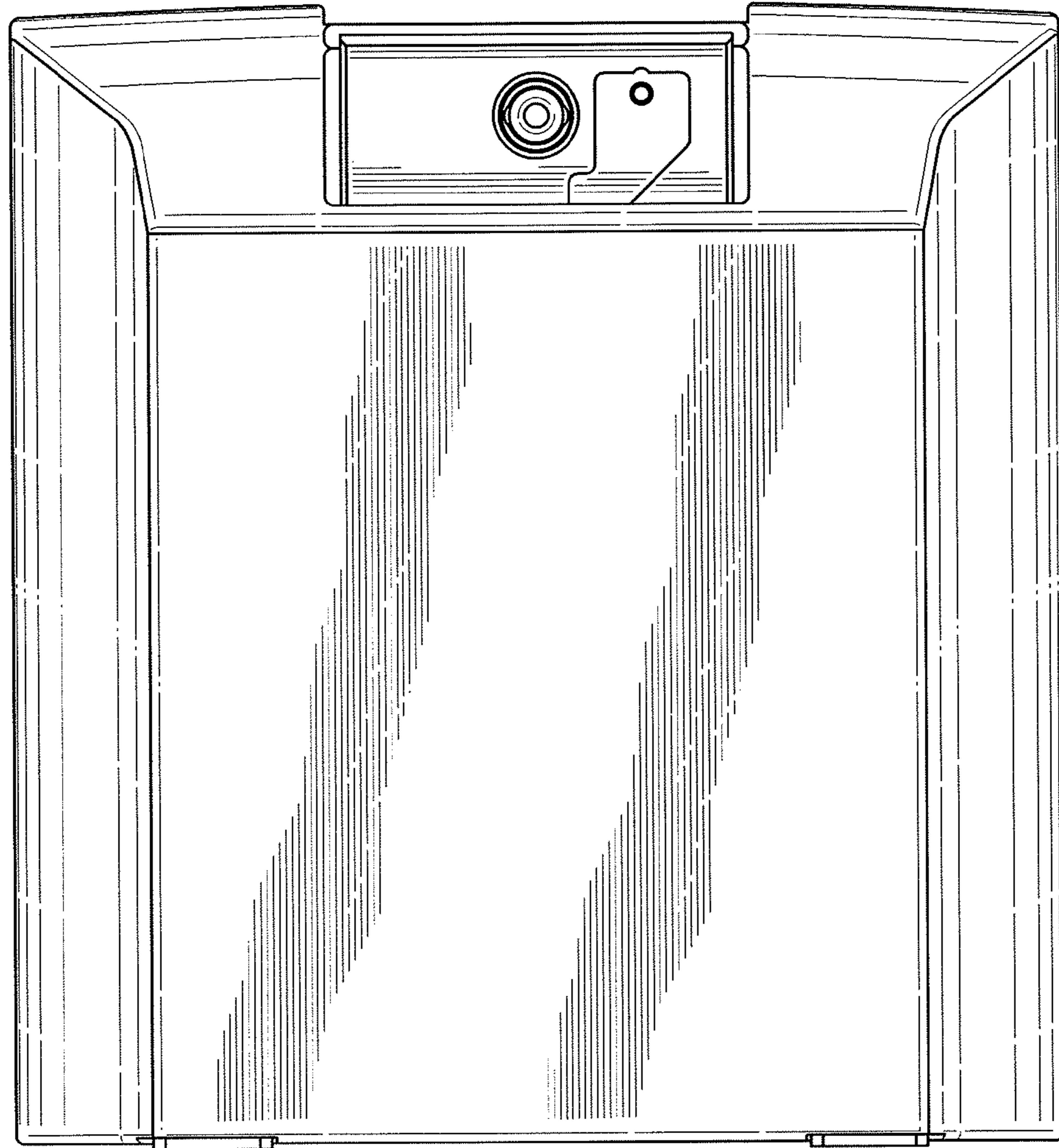


FIG. 4

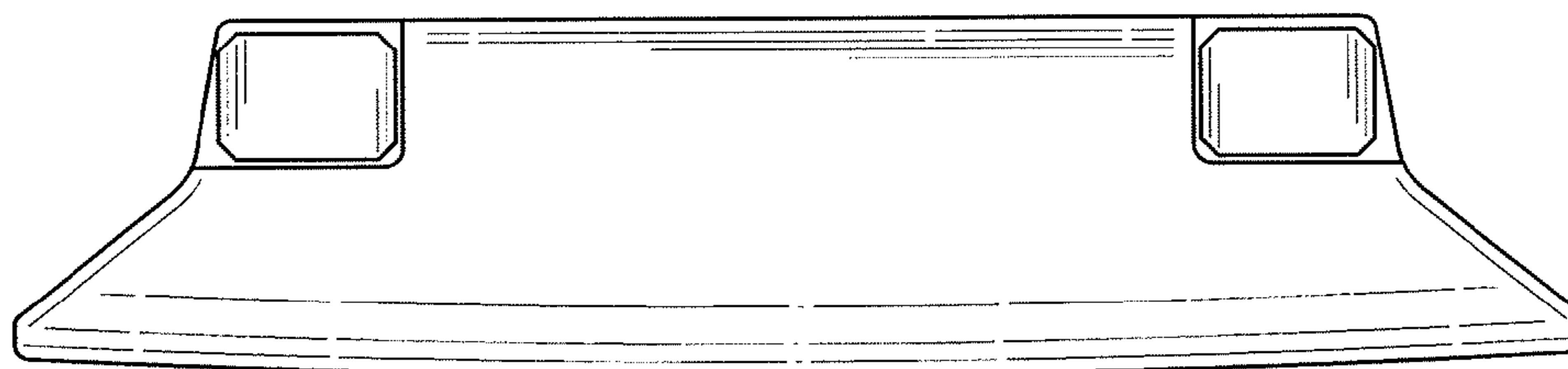


FIG. 3

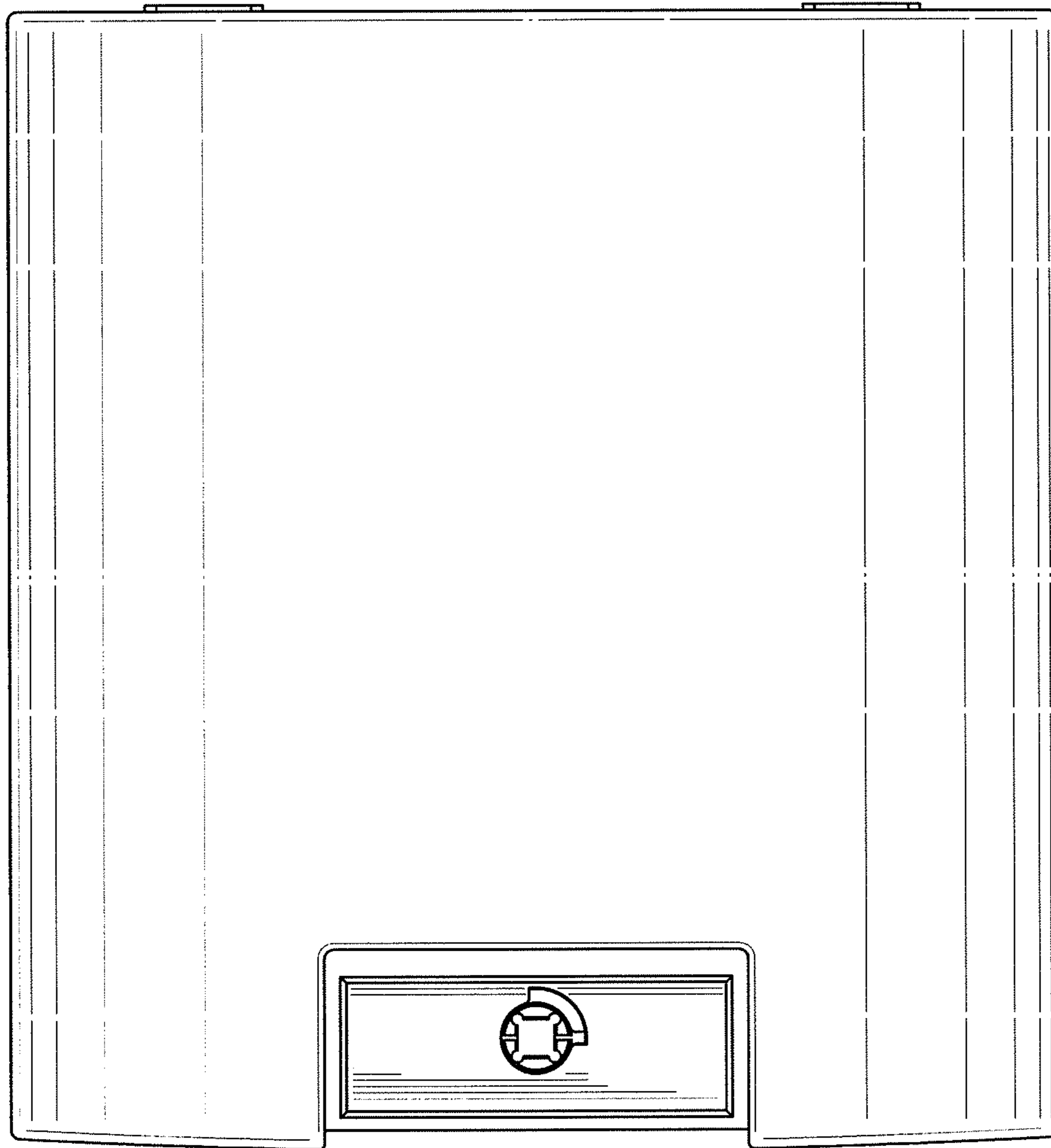


FIG. 6

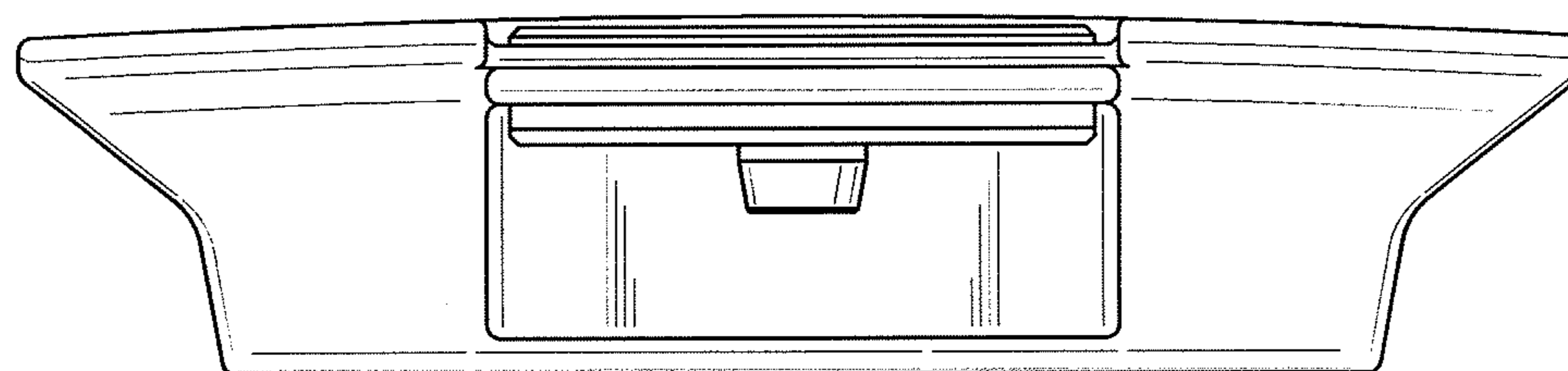


FIG. 5

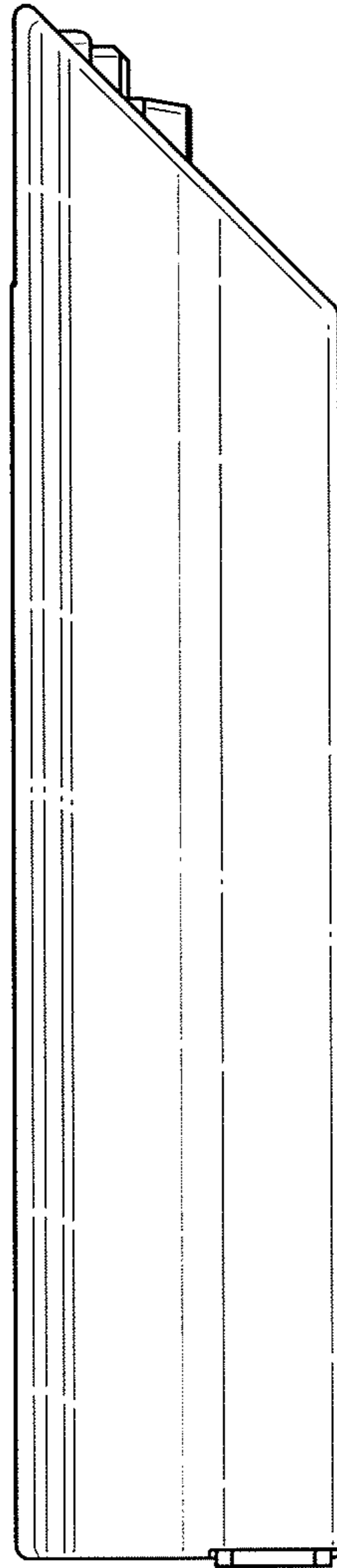


FIG. 7

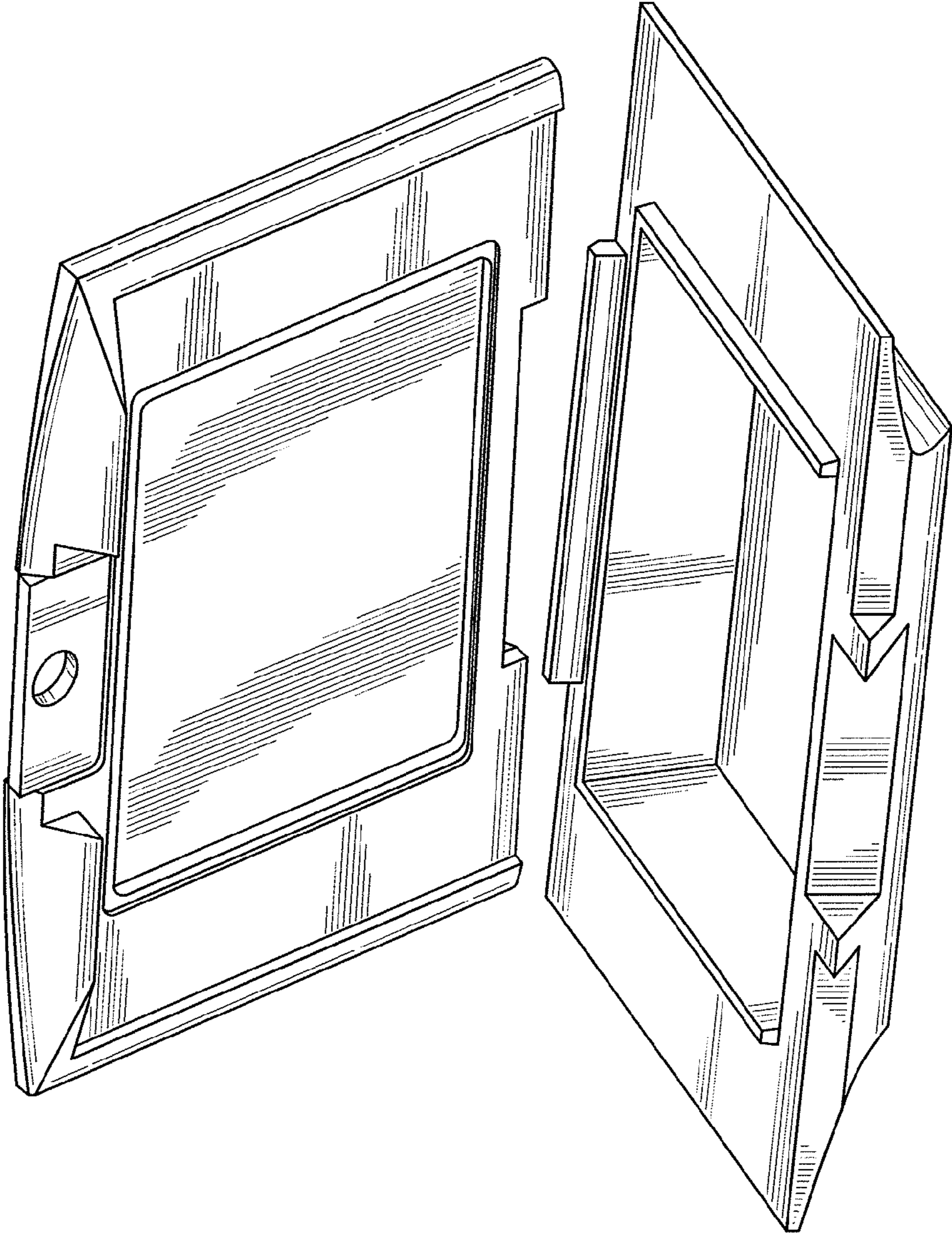


FIG. 8