



US00D701198S

(12) **United States Design Patent**
Kanou

(10) **Patent No.:** **US D701,198 S**

(45) **Date of Patent:** **** Mar. 18, 2014**

(54) **PORTION OF DIGITAL AUDIO PLAYER FOR VEHICLE**

(56) **References Cited**

U.S. PATENT DOCUMENTS

(71) Applicant: **JVC Kenwood Corporation**, Yokohama (JP)

D538,778 S *	3/2007	Shiono	D14/505
D585,420 S *	1/2009	Suzuki	D14/157
D637,993 S *	5/2011	Yamamoto	D14/157
D638,415 S *	5/2011	Yokoyama	D14/258
D645,464 S *	9/2011	Kimura	D14/257
D671,520 S *	11/2012	Kanou	D14/157
D672,331 S *	12/2012	Kanou	D14/157
D680,094 S *	4/2013	Kanou	D14/157

(72) Inventor: **Kenichi Kanou**, Yokohama (JP)

* cited by examiner

(73) Assignee: **JVC Kenwood Corporation**,
Yokohama-Shi, Kanagawa (JP)

Primary Examiner — Prabhakar Deshmukh

Assistant Examiner — Janice Lim

(**) Term: **14 Years**

(74) *Attorney, Agent, or Firm* — Nath, Goldberg & Meyer;
Jerald L. Meyer; Scott C. Langford

(21) Appl. No.: **29/448,437**

(57) **CLAIM**

The ornamental design for a portion of digital audio player for vehicle, as shown and described.

(22) Filed: **Mar. 12, 2013**

(30) **Foreign Application Priority Data**

DESCRIPTION

Jan. 17, 2013 (JP) 2013-000714

(51) **LOC (10) Cl.** **14-03**

(52) **U.S. Cl.**
USPC **D14/258**

(58) **Field of Classification Search**
USPC D12/82, 192, 195, 415; D14/131, 132,
D14/137, 155, 157, 167-172, 188, 197, 198,
D14/239, 257, 258, 345-355, 400, 496,
D14/498-505, 511; D16/202, 206;
D21/329-332, 669, 670, 696;
360/99.02, 99.07; 369/6-12, 75.11,
369/75.21, 77.11; 455/344, 348-355,
455/575.9; 720/612, 619, 649, 655

FIG. 1 is a perspective view of a portion of digital audio player for vehicle showing my new design;
FIG. 2 is a front view thereof;
FIG. 3 is a right side view thereof;
FIG. 4 is a left side view thereof;
FIG. 5 is a top plan view thereof; and,
FIG. 6 is a bottom plan view thereof.

The broken lines shown are included for the purpose of illustrating the unclaimed portions of the article and form no part of the claim. The dot-dash lines indicate the boundary between the claimed portion and unclaimed portion and form no part of the claim.

See application file for complete search history.

1 Claim, 4 Drawing Sheets

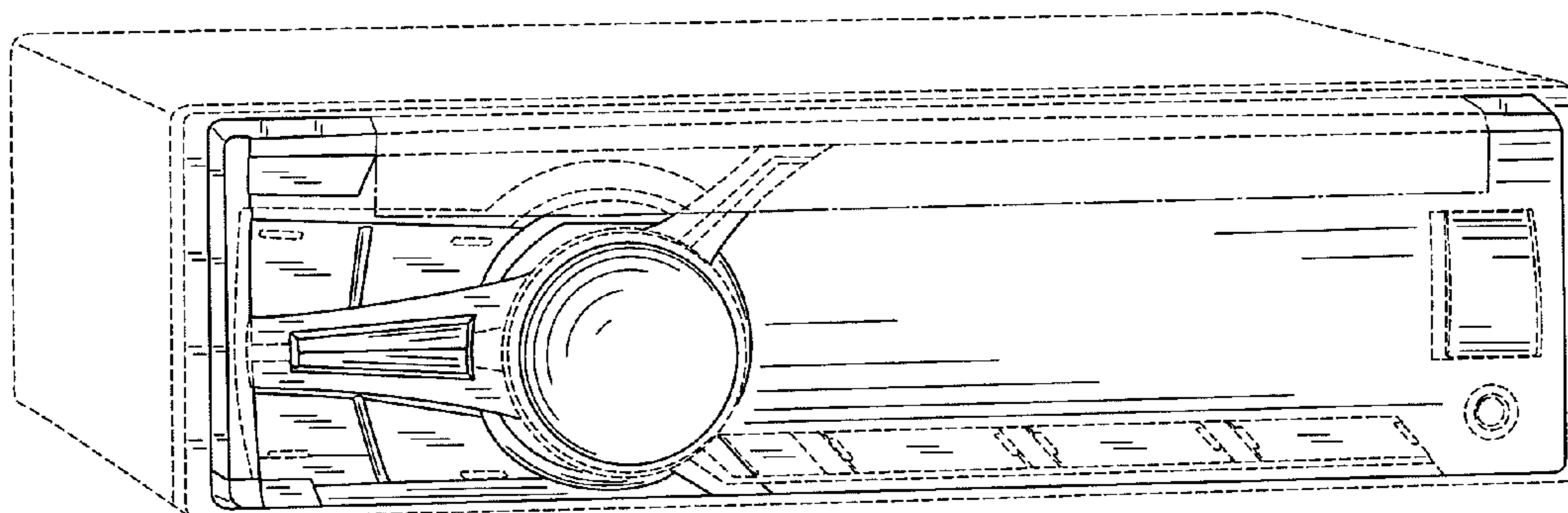


Fig.1

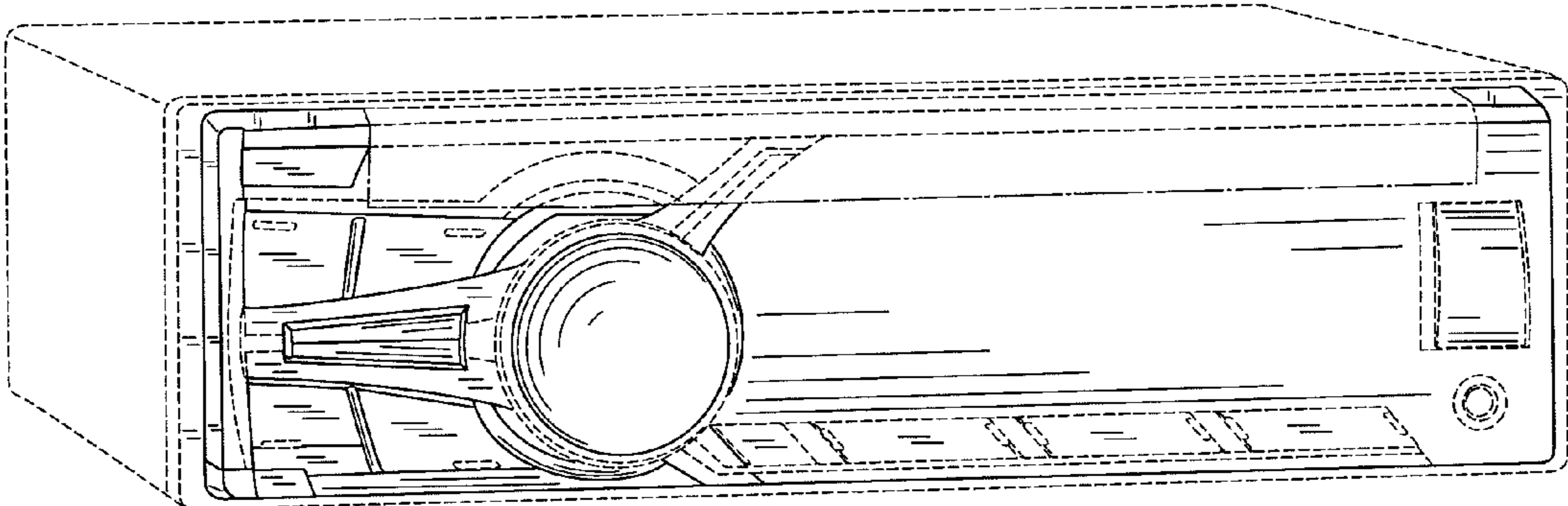


Fig.2

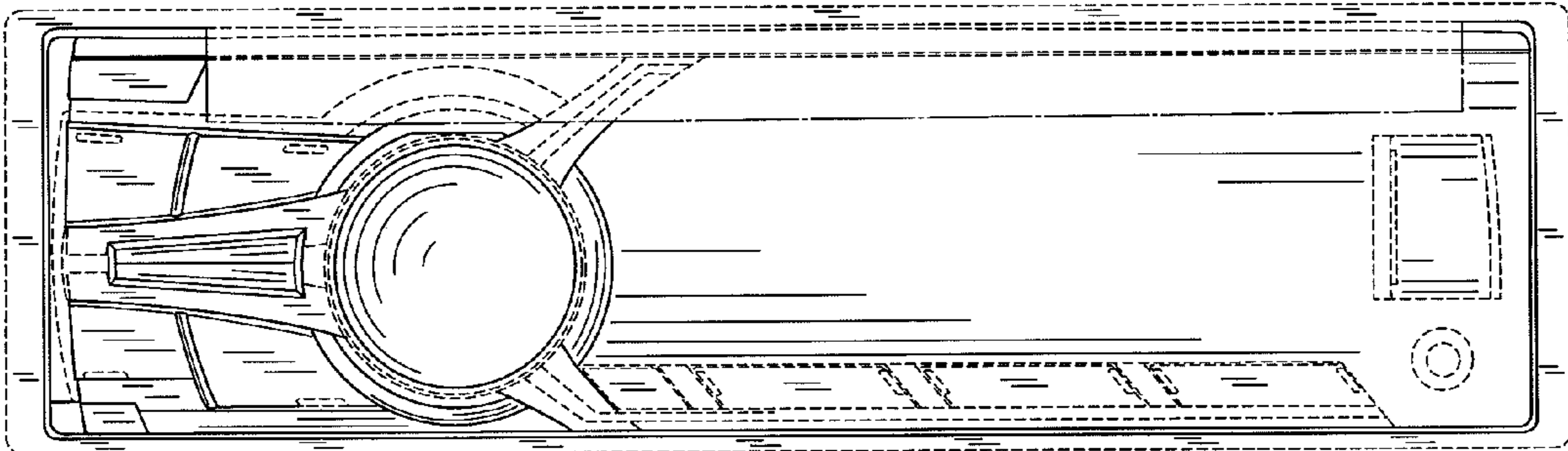


Fig.3



Fig.4

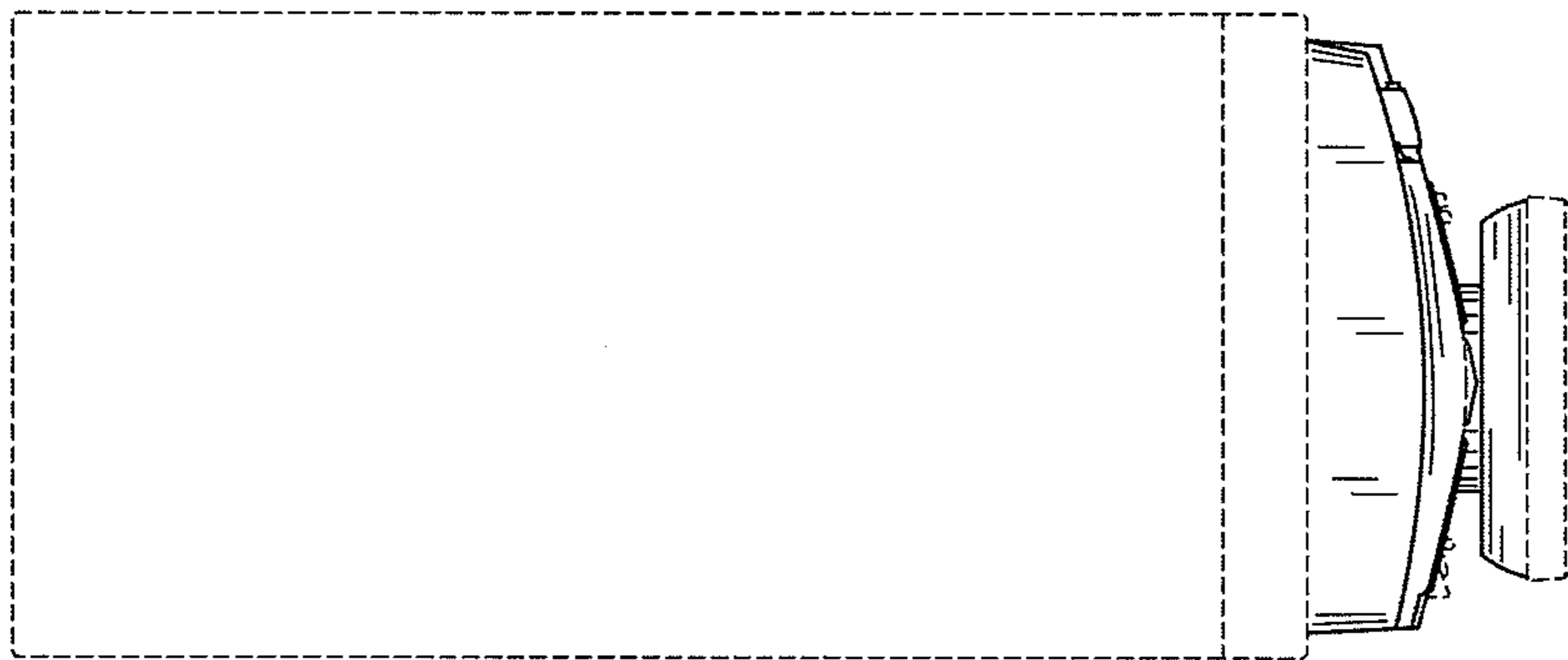


Fig.5

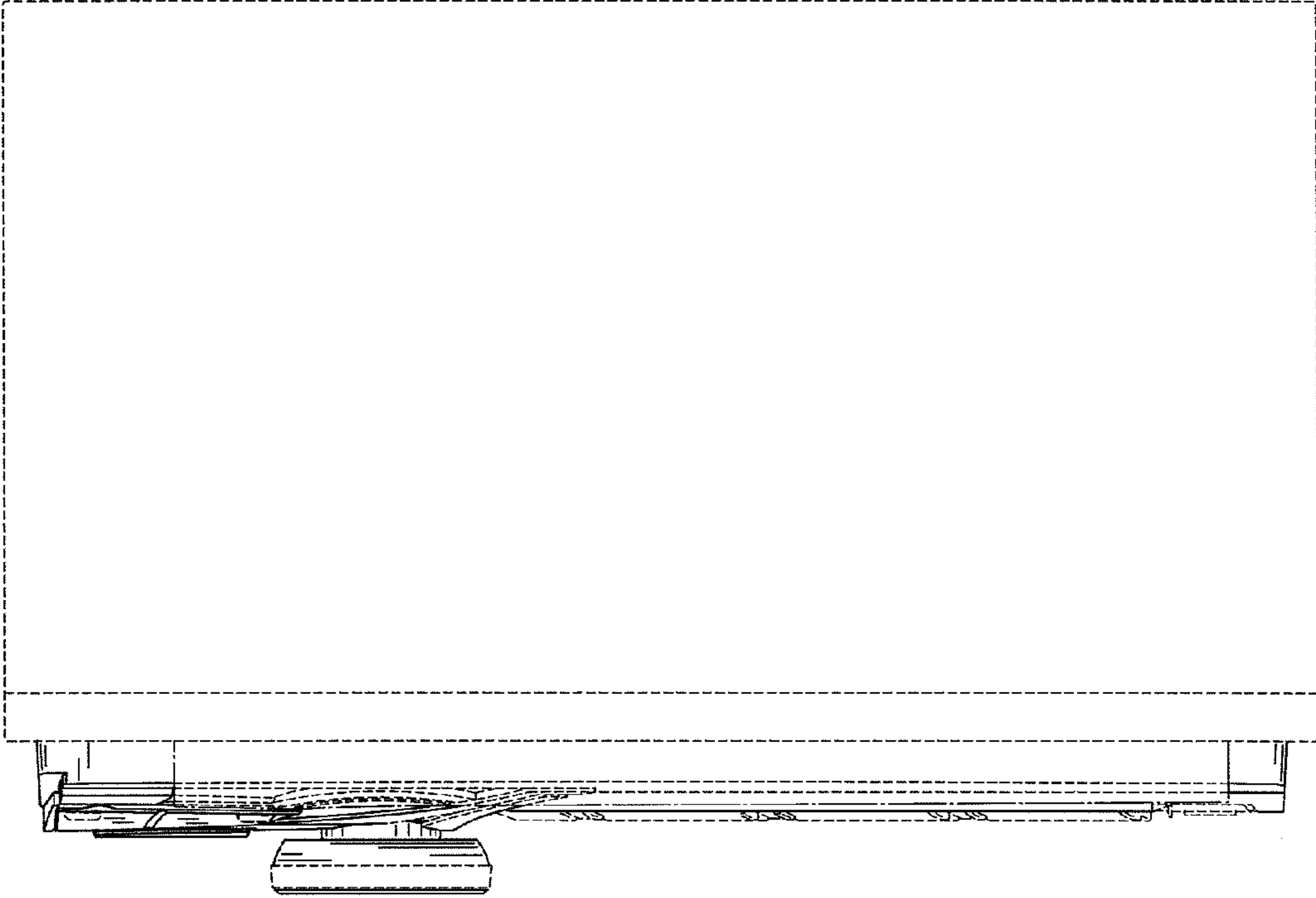


Fig.6

