



US00D701197S

(12) **United States Design Patent**
Kelly et al.

(10) **Patent No.:** **US D701,197 S**
(45) **Date of Patent:** **** Mar. 18, 2014**

(54) **HEADPHONE**

(71) Applicant: **Skullcandy, Inc.**, Park City, UT (US)

(72) Inventors: **Peter M. Kelly**, Park City, UT (US);
Donald C. Stiff, Salt Lake City, UT
(US); **David G. Vogt, Jr.**, Salt Lake City,
UT (US)

(73) Assignee: **Skullcandy, Inc.**, Park City, UT (US)

(**) Term: **14 Years**

(21) Appl. No.: **29/440,728**

(22) Filed: **Dec. 26, 2012**

(51) **LOC (10) Cl.** **14-01**

(52) **U.S. Cl.**
USPC **D14/223**

(58) **Field of Classification Search**
USPC D14/223; 181/129, 130, 135; 379/430,
379/431; 381/380, 381; 455/90.3, 575.1
See application file for complete search history.

(56) **References Cited**

U.S. PATENT DOCUMENTS

2,437,049	A	3/1948	Salisbury et al.	
2,812,517	A	11/1957	Bogart et al.	
3,454,964	A	7/1969	Brinkhoff	
3,579,640	A	5/1971	Beguín et al.	
3,661,225	A	5/1972	Anderson	
4,302,635	A	11/1981	Jacobsen et al.	
4,459,707	A	7/1984	Stallings	
4,742,887	A *	5/1988	Yamagishi	181/129
D333,137	S	2/1993	Burke	
5,185,807	A	2/1993	Bergin et al.	
5,692,059	A *	11/1997	Kruger	381/151
D411,200	S	6/1999	Almqvist	
D431,553	S *	10/2000	Suzuki	D14/223

D457,514	S *	5/2002	Marion et al.	D14/223
D463,857	S	10/2002	Dix et al.	
D487,077	S *	2/2004	Obata	D14/223
D533,868	S *	12/2006	Koizumi	D14/223
7,187,948	B2	3/2007	Alden	
D549,688	S	8/2007	Suzuki	
D554,627	S *	11/2007	Gondo et al.	D14/223
D555,152	S *	11/2007	Wang	D14/223
D569,841	S *	5/2008	Chung et al.	D14/205
D572,706	S *	7/2008	Schaefer	D14/225
D573,581	S	7/2008	Gondo et al.	

(Continued)

FOREIGN PATENT DOCUMENTS

EP	1760896	9/2010
EP	2262117	12/2010

(Continued)

Primary Examiner — Paula Greene

(74) *Attorney, Agent, or Firm* — TraskBritt

(57) **CLAIM**

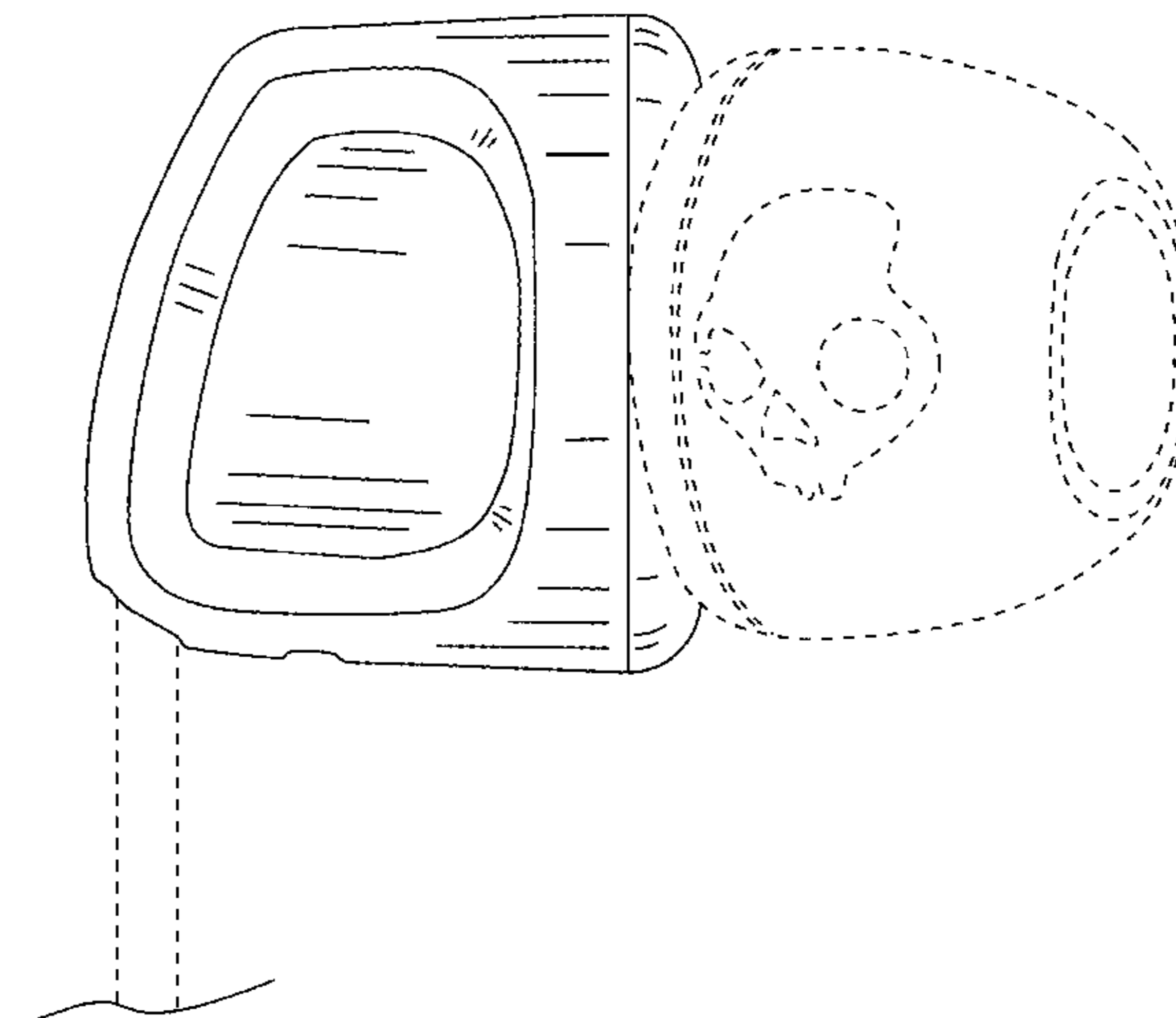
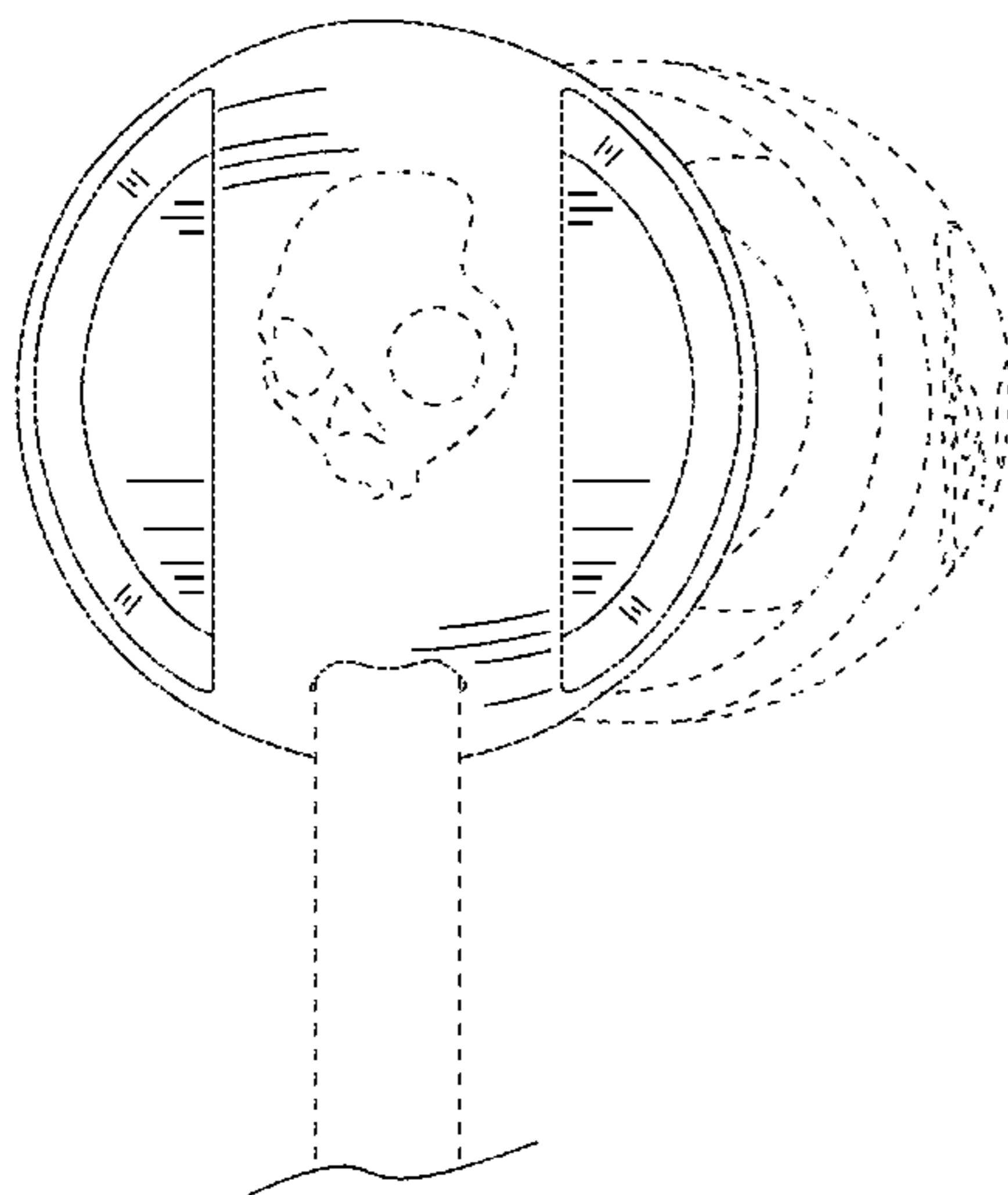
The ornamental design for a headphone, as shown and described.

DESCRIPTION

FIG. 1 is a front view of an embodiment of a headphone; FIG. 2 is a rear view of the headphone shown in FIG. 1; FIG. 3 is a right side view of the headphone shown in FIG. 1; FIG. 4 is a left side view of the headphone shown in FIG. 1; FIG. 5 is a top view of the headphone shown in FIG. 1; FIG. 6 is a bottom view of the headphone shown in FIG. 1; and, FIG. 7 is a perspective view of the headphone shown in FIG. 1.

The broken lines in FIGS. 1-7 are for environmental purposes only and do not form any part of the claimed design.

1 Claim, 7 Drawing Sheets



(56)

References Cited

U.S. PATENT DOCUMENTS

7,395,090 B2 7/2008 Alden
 D579,005 S * 10/2008 Wilhelmsen D14/223
 D586,332 S * 2/2009 Ewert et al. D14/223
 D587,681 S * 3/2009 Yanai D14/205
 D587,685 S * 3/2009 Densho D14/206
 D588,098 S 3/2009 Kurihara
 D591,721 S * 5/2009 Densho D14/205
 D591,722 S * 5/2009 Densho D14/205
 D599,778 S * 9/2009 Ando D14/205
 D602,475 S * 10/2009 Martin D14/223
 D603,370 S 11/2009 Suzuki
 D605,182 S * 12/2009 Fagnot D14/223
 D606,971 S * 12/2009 Christopher et al. D14/205
 D611,934 S * 3/2010 Schaefer D14/223
 D614,168 S * 4/2010 Rogers et al. D14/206
 D616,874 S * 6/2010 Matsuoka D14/223
 D618,670 S * 6/2010 Tahara D14/223
 D623,627 S 9/2010 Alden et al.
 D623,630 S * 9/2010 Ohori et al. D14/223
 D626,117 S * 10/2010 Lowry D14/223
 D627,764 S * 11/2010 Tsai et al. D14/223
 D629,793 S * 12/2010 Goransson D14/223
 D634,731 S 3/2011 Morisawa
 D634,732 S 3/2011 Kondo et al.
 D635,558 S * 4/2011 Zheng D14/223
 D637,999 S * 5/2011 Brunner et al. D14/205
 D639,282 S * 6/2011 Ohori et al. D14/223
 D641,003 S 7/2011 Alden
 D641,725 S 7/2011 Chong et al.
 8,014,824 B2 9/2011 Alden
 D650,356 S 12/2011 Alden et al.
 D657,346 S 4/2012 Park
 D662,080 S 6/2012 Carr et al.
 D662,490 S 6/2012 McSweyn

D664,116 S 7/2012 Hutchieson
 D664,117 S 7/2012 Tappeiner et al.
 D664,118 S 7/2012 Tappeiner et al.
 D665,776 S 8/2012 Alden et al.
 D665,777 S 8/2012 Alden et al.
 D666,581 S * 9/2012 Perez D14/223
 D671,531 S * 11/2012 Kim D14/223
 D673,136 S 12/2012 Kelly et al.
 D673,140 S * 12/2012 Kelly et al. D14/223
 8,331,604 B2 * 12/2012 Saito et al. 381/380
 D674,372 S 1/2013 Kelly et al.
 D674,376 S * 1/2013 Kelly et al. D14/223
 D674,377 S * 1/2013 Schaefer D14/223
 D676,023 S 2/2013 Kelly et al.
 D676,024 S 2/2013 Kelly et al.
 D677,241 S 3/2013 Kelly et al.
 D683,717 S 6/2013 Kelly et al.
 D685,351 S * 7/2013 Morimoto D14/223
 D685,767 S * 7/2013 Kelly et al. D14/223
 D685,769 S * 7/2013 Mogili D14/223
 D689,464 S 9/2013 Bonahoom et al.
 2007/0142025 A1 6/2007 Alden
 2008/0267440 A1 10/2008 Alden
 2011/0164776 A1 7/2011 Kelly et al.
 2011/0235819 A1 9/2011 Alden
 2012/0128172 A1 5/2012 Alden
 2012/0275615 A1 11/2012 Kelly et al.
 2013/0118944 A1 5/2013 Niiro et al.
 2013/0130540 A1 5/2013 Oman et al.

FOREIGN PATENT DOCUMENTS

WO 2010-068495 6/2010
 WO 2010124190 10/2010
 WO 2011085096 7/2011
 WO 2012024656 2/2012

* cited by examiner

FIGURE 1

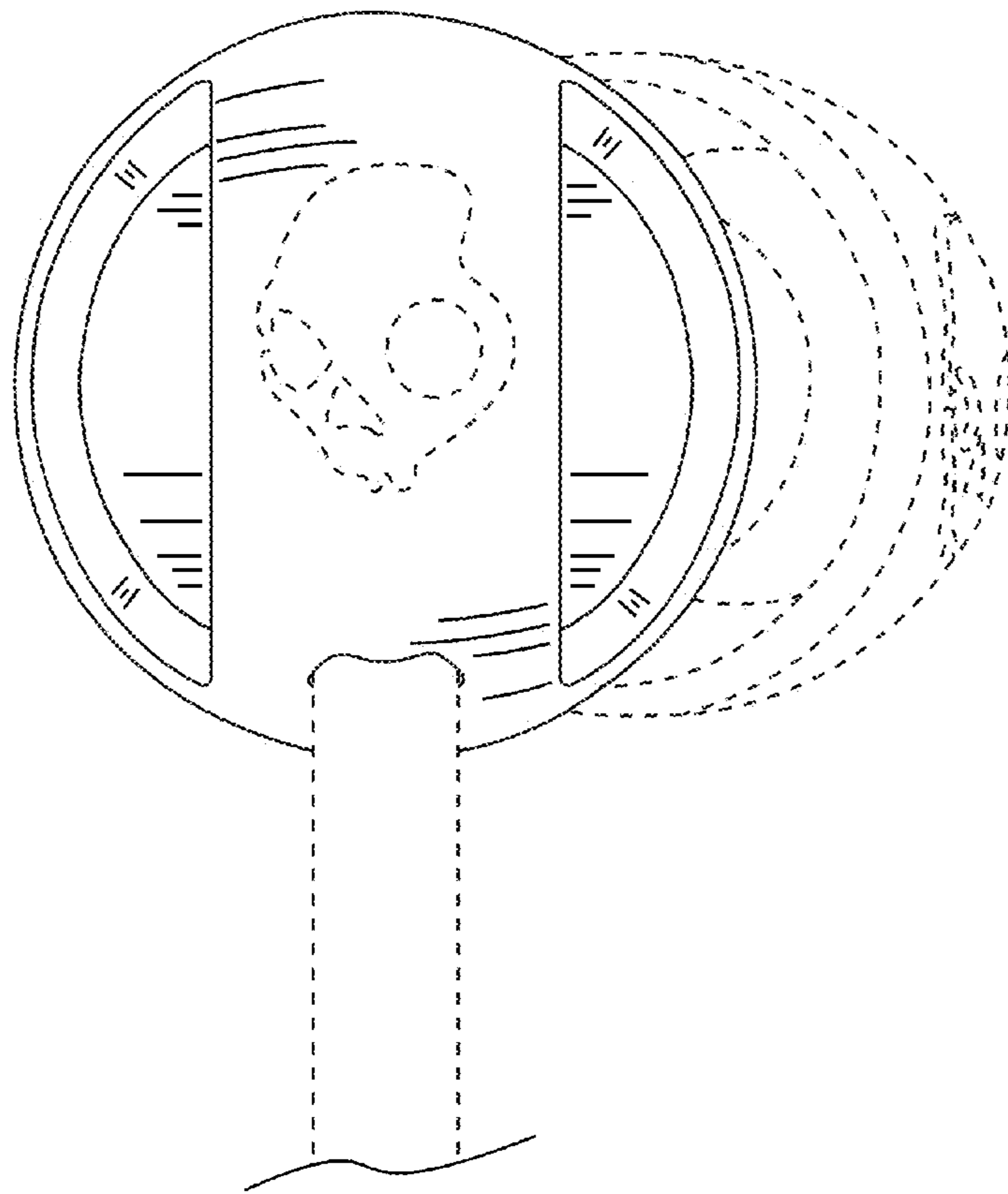


FIGURE 2

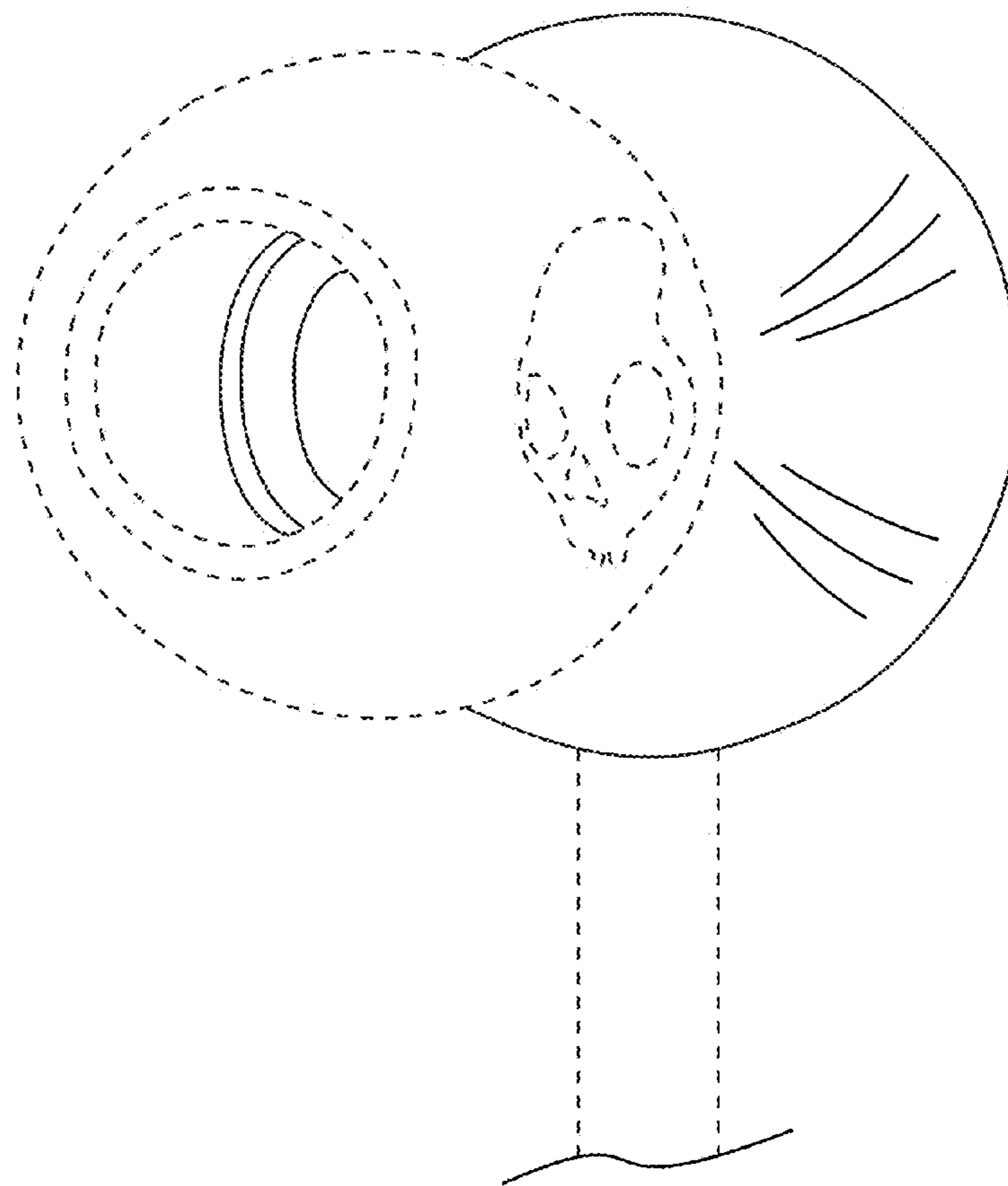


FIGURE 3

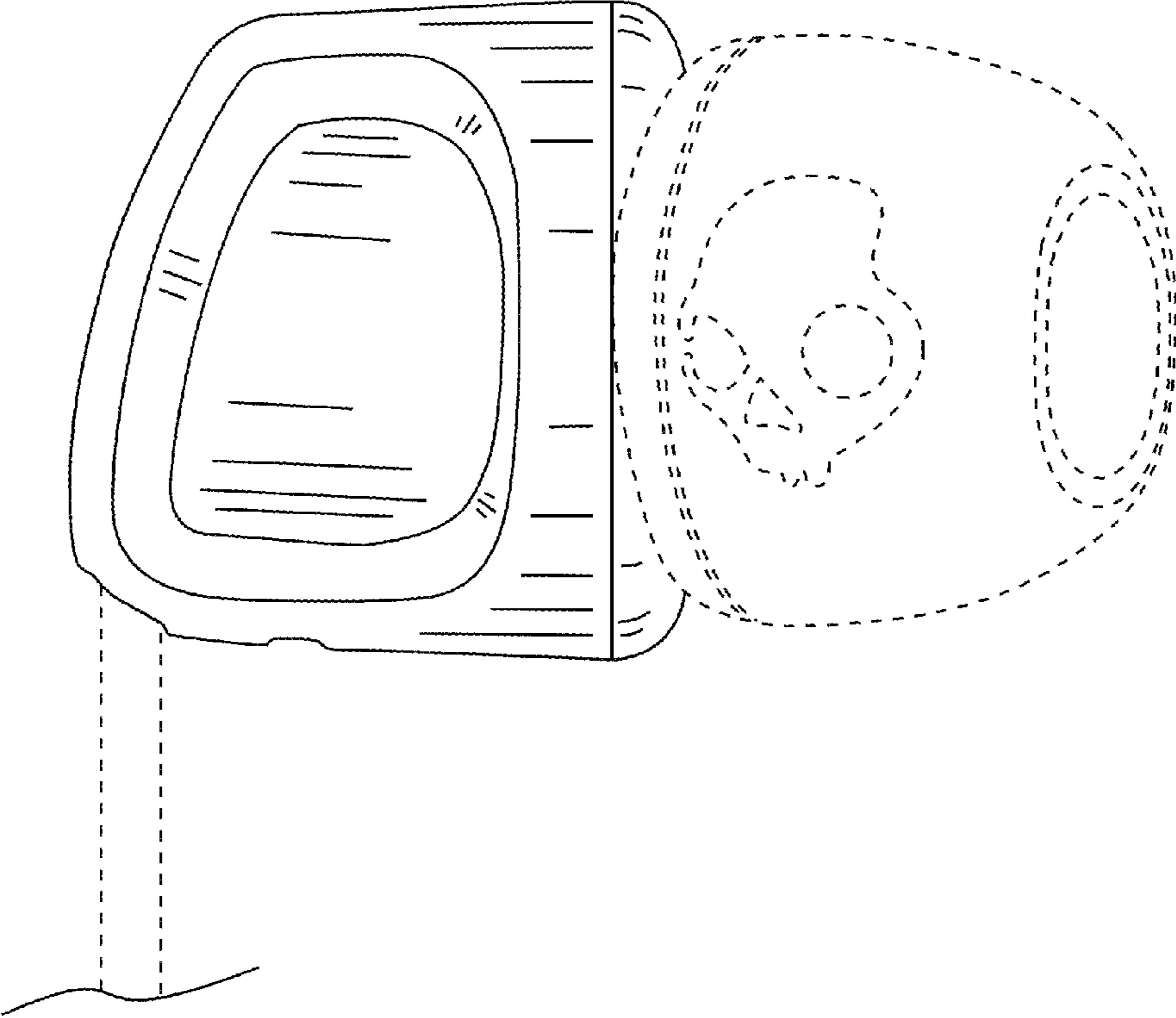


FIGURE 4

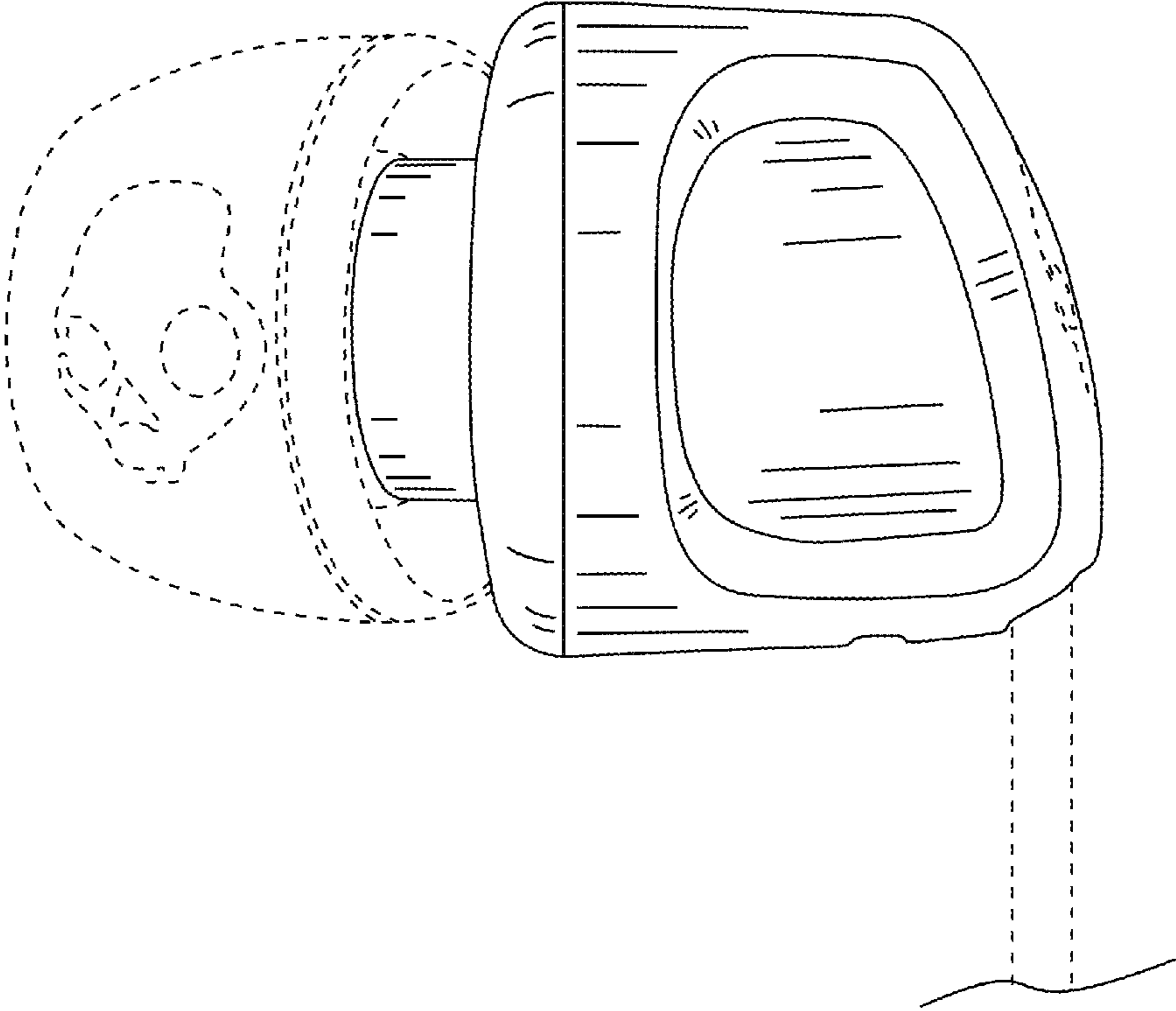


FIGURE 5

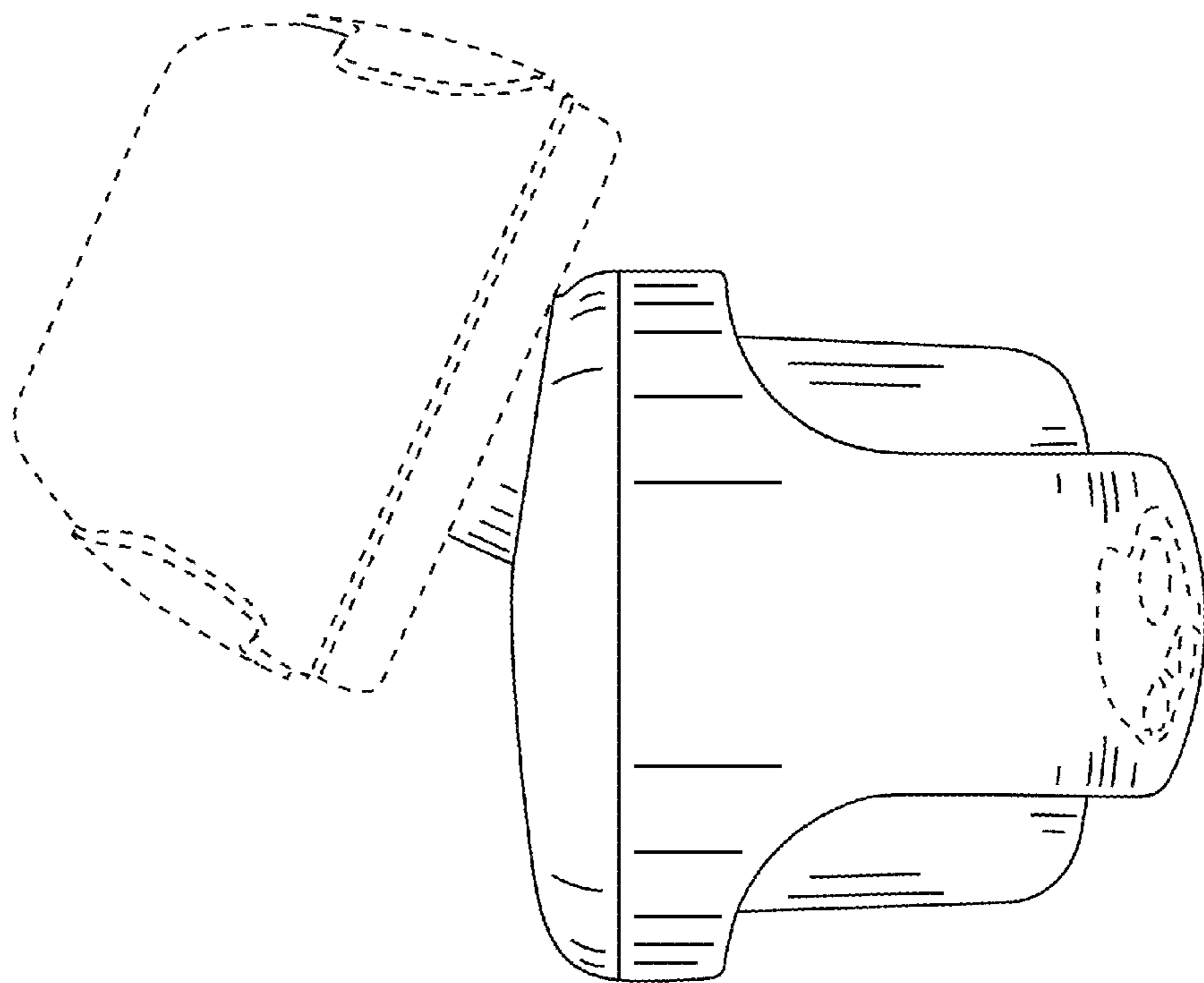


FIGURE 6

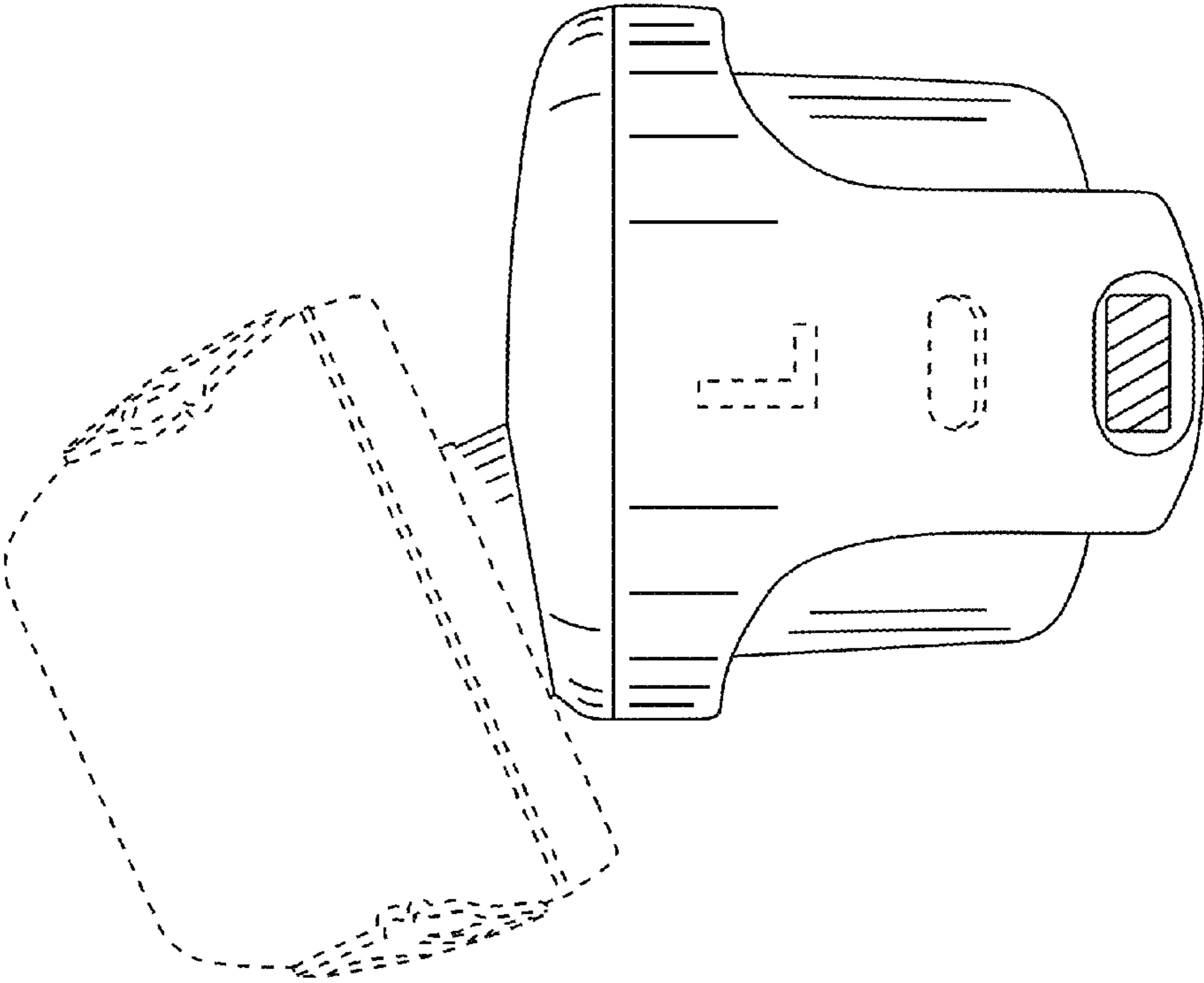


FIGURE 7

