



US00D701195S

(12) **United States Design Patent**
Katsumata

(10) **Patent No.:** **US D701,195 S**
(45) **Date of Patent:** **** Mar. 18, 2014**

(54) **EARPHONE**

(71) Applicant: **Sony Corporation**, Tokyo (JP)

(72) Inventor: **Kenji Katsumata**, Tokyo (JP)

(73) Assignee: **Sony Corporation**, Tokyo (JP)

(**) Term: **14 Years**

(21) Appl. No.: **29/439,597**

(22) Filed: **Dec. 13, 2012**

(30) **Foreign Application Priority Data**

Jun. 26, 2012 (CN) 2012 3 0274251
Jun. 27, 2012 (JP) D2012-015234
Jun. 27, 2012 (JP) D2012-015235

(51) **LOC (10) Cl.** **14-01**

(52) **U.S. Cl.**
USPC **D14/223**

(58) **Field of Classification Search**
USPC D14/205, 223; 181/129, 130, 135;
379/430, 431; 381/380, 381; 455/90.3,
455/575.1
See application file for complete search history.

(56) **References Cited**

U.S. PATENT DOCUMENTS

5,410,608 A * 4/1995 Lucey et al. 381/360
5,420,935 A * 5/1995 Shinohara et al. 381/370
5,809,159 A * 9/1998 Lee 381/380
D431,553 S * 10/2000 Suzuki D14/223
D484,548 S * 12/2003 Franco Munoz et al. D21/370
D485,548 S * 1/2004 Obata D14/223
D487,077 S 2/2004 Obata
D539,268 S * 3/2007 Suzuki D14/206
D542,782 S * 5/2007 Pena Angarita D14/223
D557,689 S * 12/2007 Huang D14/223
D566,099 S * 4/2008 Komiyama D14/206
D569,841 S * 5/2008 Chung et al. D14/205
D573,978 S * 7/2008 Ledbetter et al. D14/205

D587,247 S * 2/2009 Densho D14/223
D587,248 S * 2/2009 Densho D14/223
D587,249 S * 2/2009 Densho D14/223
D598,901 S * 8/2009 Lee et al. D14/223
D599,781 S * 9/2009 Lee et al. D14/205
D610,129 S * 2/2010 Densho et al. D14/223
D626,117 S * 10/2010 Lowry D14/223
D631,470 S * 1/2011 Yoneyama et al. D14/223
D637,180 S 5/2011 Shimizu et al.
D641,008 S * 7/2011 Lee et al. D14/223
D642,163 S * 7/2011 Lee et al. D14/223
D643,417 S * 8/2011 Lee et al. D14/223
D643,833 S * 8/2011 Lee et al. D14/223

(Continued)

Primary Examiner — Paula Greene

(74) *Attorney, Agent, or Firm* — Rader, Fishman & Grauer PLLC

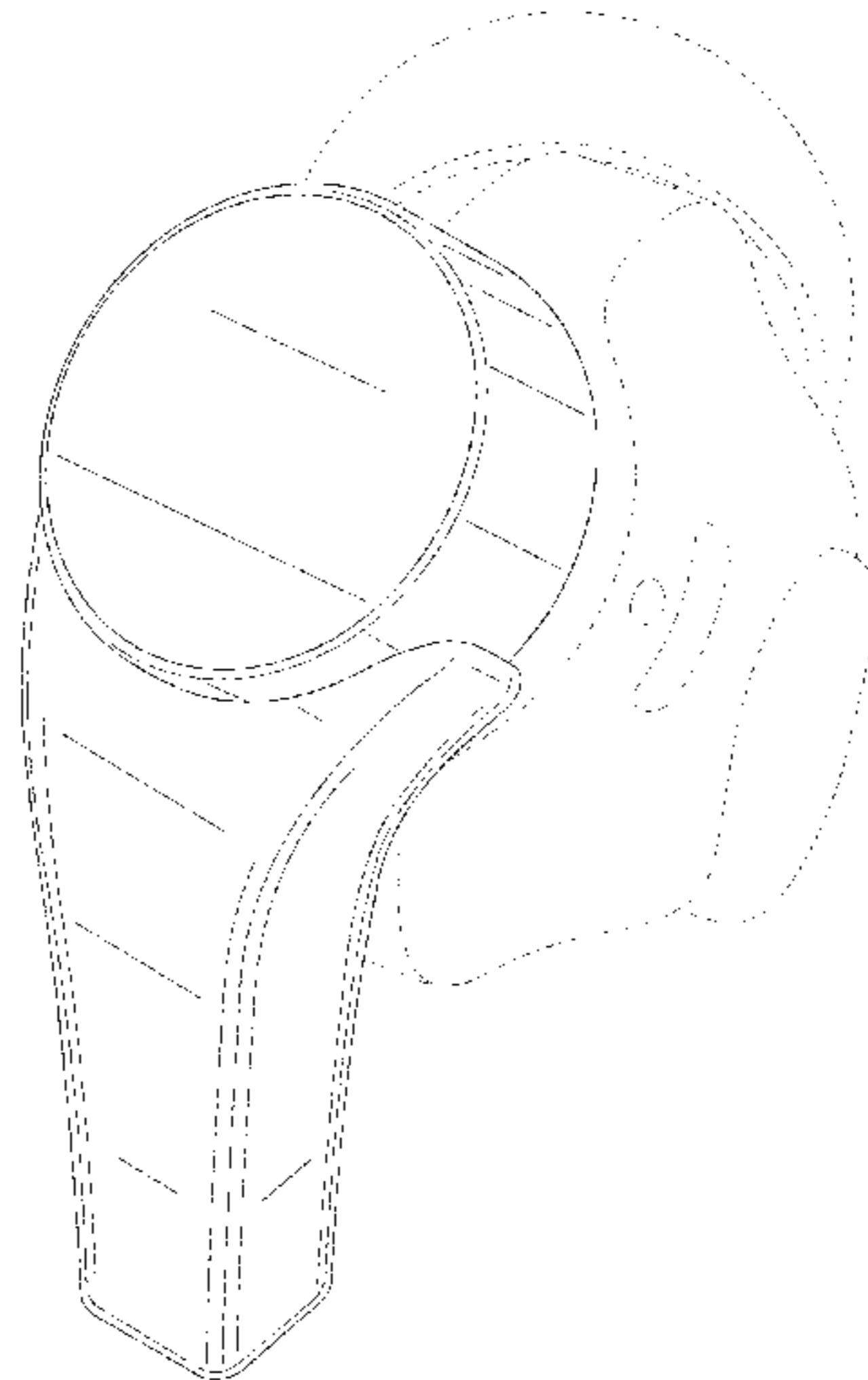
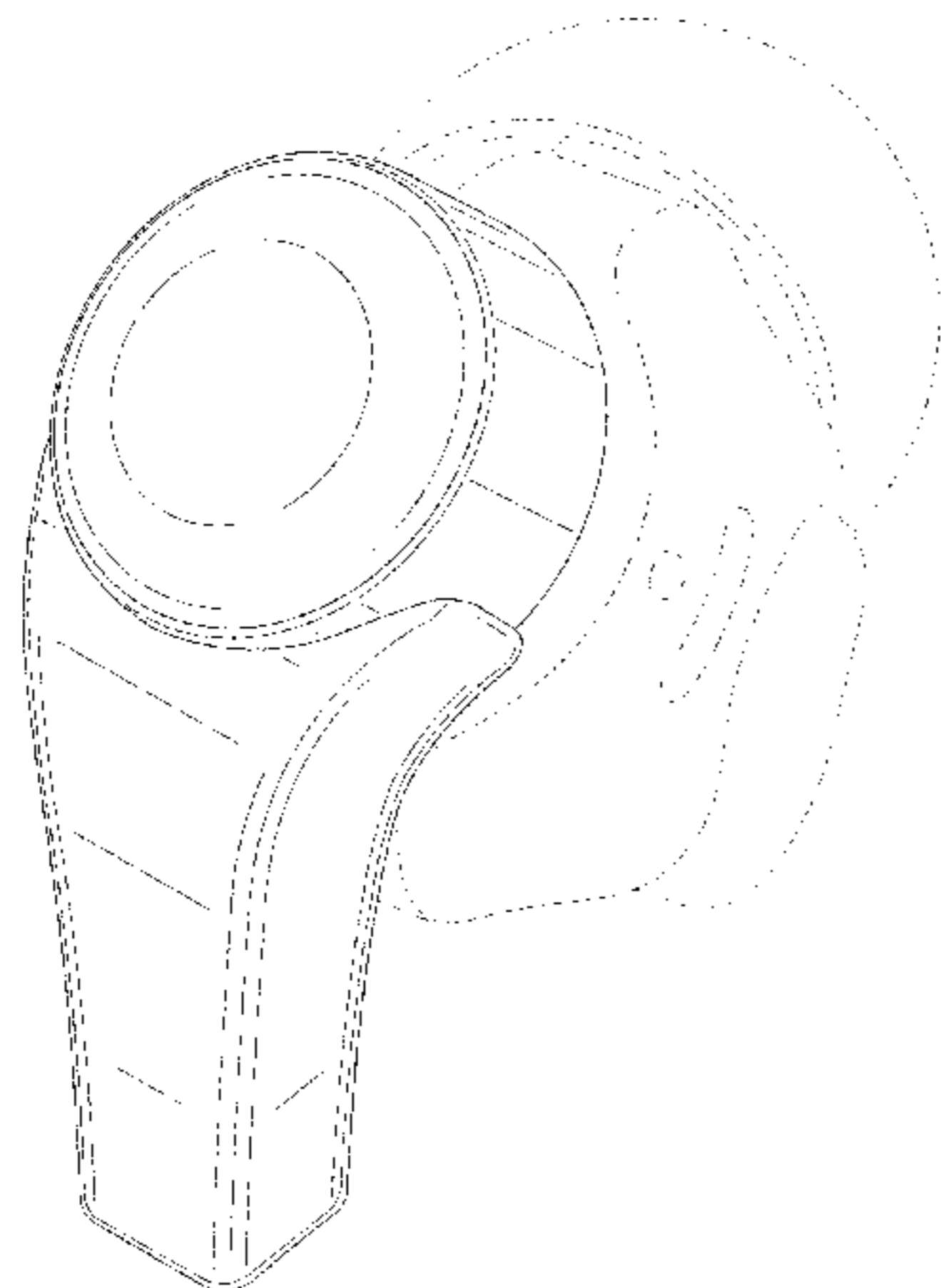
(57) **CLAIM**

The ornamental design for an earphone, as shown and described.

DESCRIPTION

FIG. 1 is a perspective view of a first embodiment of an earphone showing my new design;
FIG. 2 is a front elevational view thereof;
FIG. 3 is a rear elevational view thereof;
FIG. 4 is a left side elevational view thereof;
FIG. 5 is a right side elevational view thereof;
FIG. 6 is a top plan view thereof; and
FIG. 7 is a bottom plan view thereof.
FIG. 8 is a perspective view of a second embodiment of an earphone showing my new design;
FIG. 9 is a front elevational view thereof;
FIG. 10 is a rear elevational view thereof;
FIG. 11 is a left side elevational view thereof;
FIG. 12 is a right side elevational view thereof;
FIG. 13 is a top plan view thereof; and
FIG. 14 is a bottom plan view thereof.
Portions shown as broken lines are for illustrative purposes only and form no part of the claimed design.

1 Claim, 14 Drawing Sheets



(56)

References Cited

U.S. PATENT DOCUMENTS

D656,489 S * 3/2012 Kumagai et al. D14/223
D666,580 S * 9/2012 Lee et al. D14/223
D666,996 S * 9/2012 Hardi et al. D14/223
D669,058 S * 10/2012 Lee et al. D14/223
D673,531 S * 1/2013 Lee et al. D14/223
D673,532 S * 1/2013 Lee D14/223
D676,026 S * 2/2013 Lee et al. D14/223
8,391,536 B2 * 3/2013 Hashimoto 381/380

D679,267 S * 4/2013 Lee et al. D14/223
D682,257 S * 5/2013 Zheng et al. D14/223
D683,332 S * 5/2013 Lee et al. D14/223
8,447,061 B2 * 5/2013 Lee 381/380
D685,351 S * 7/2013 Morimoto D14/223
D685,770 S * 7/2013 Lee et al. D14/223
D686,597 S * 7/2013 Lee et al. D14/223
D687,021 S * 7/2013 Yuen D14/223
D687,418 S * 8/2013 Godfrey D14/223
D689,471 S * 9/2013 Hardi et al. D14/223

* cited by examiner

FIG. 1

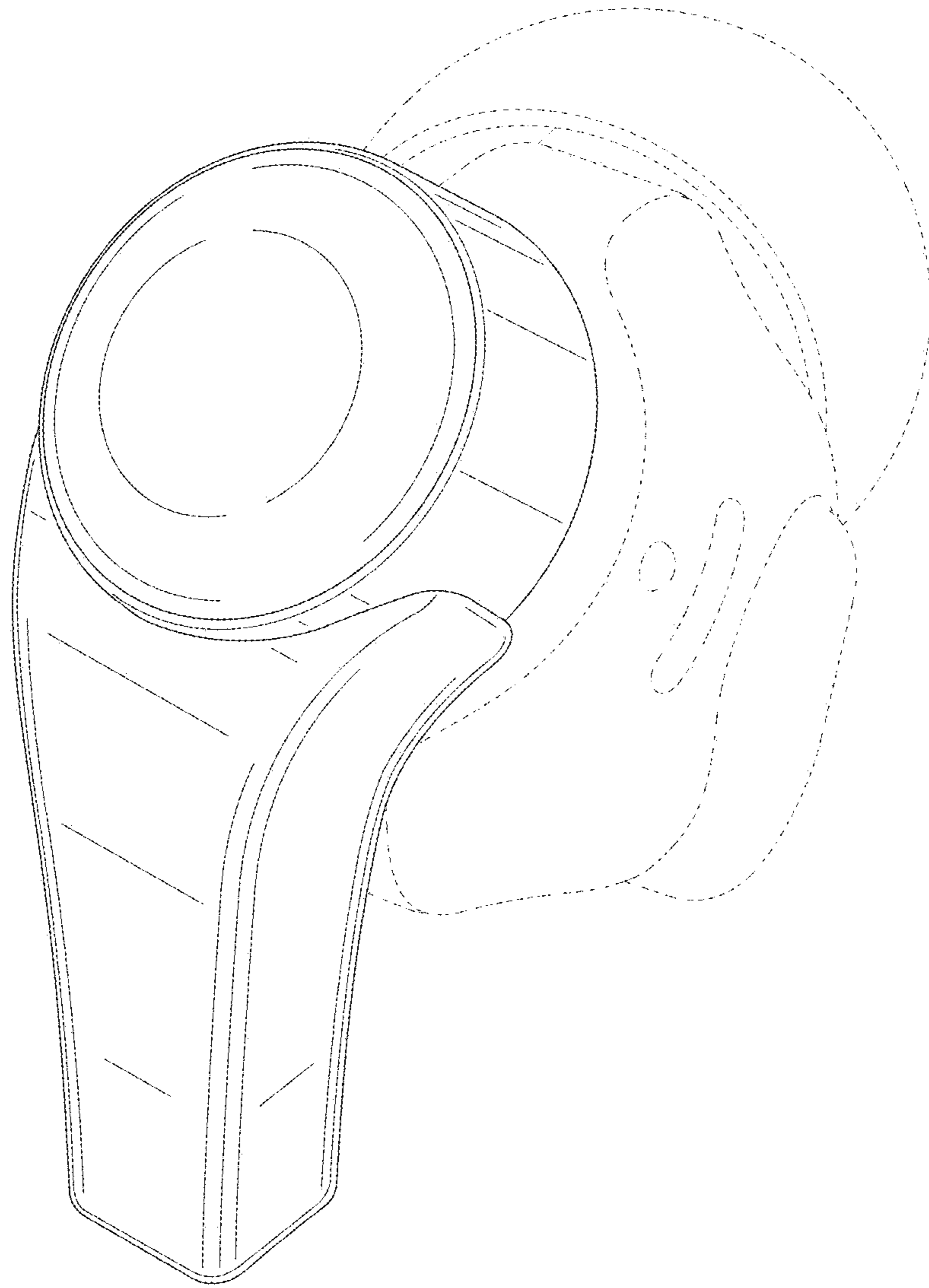


FIG.2

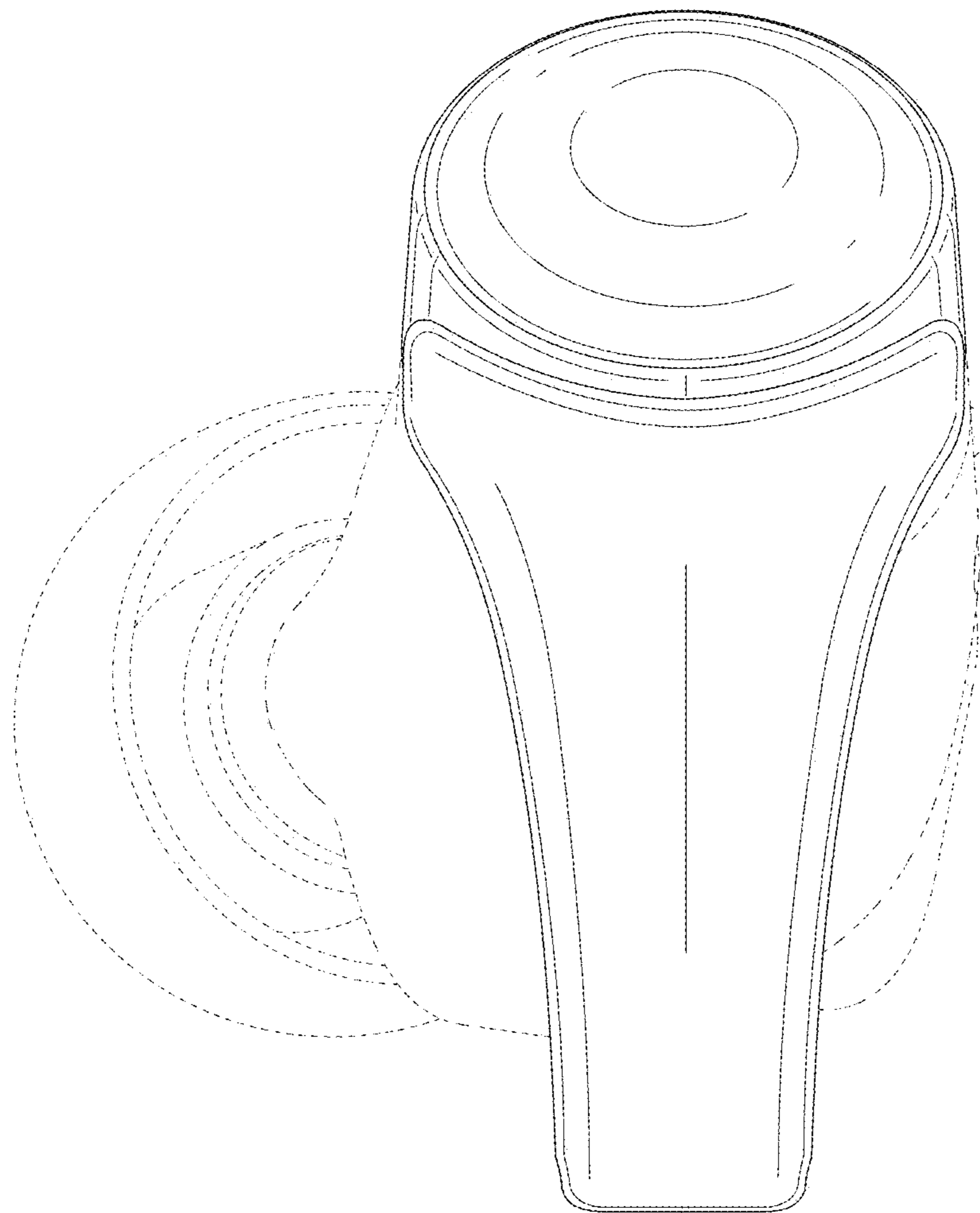


FIG.3

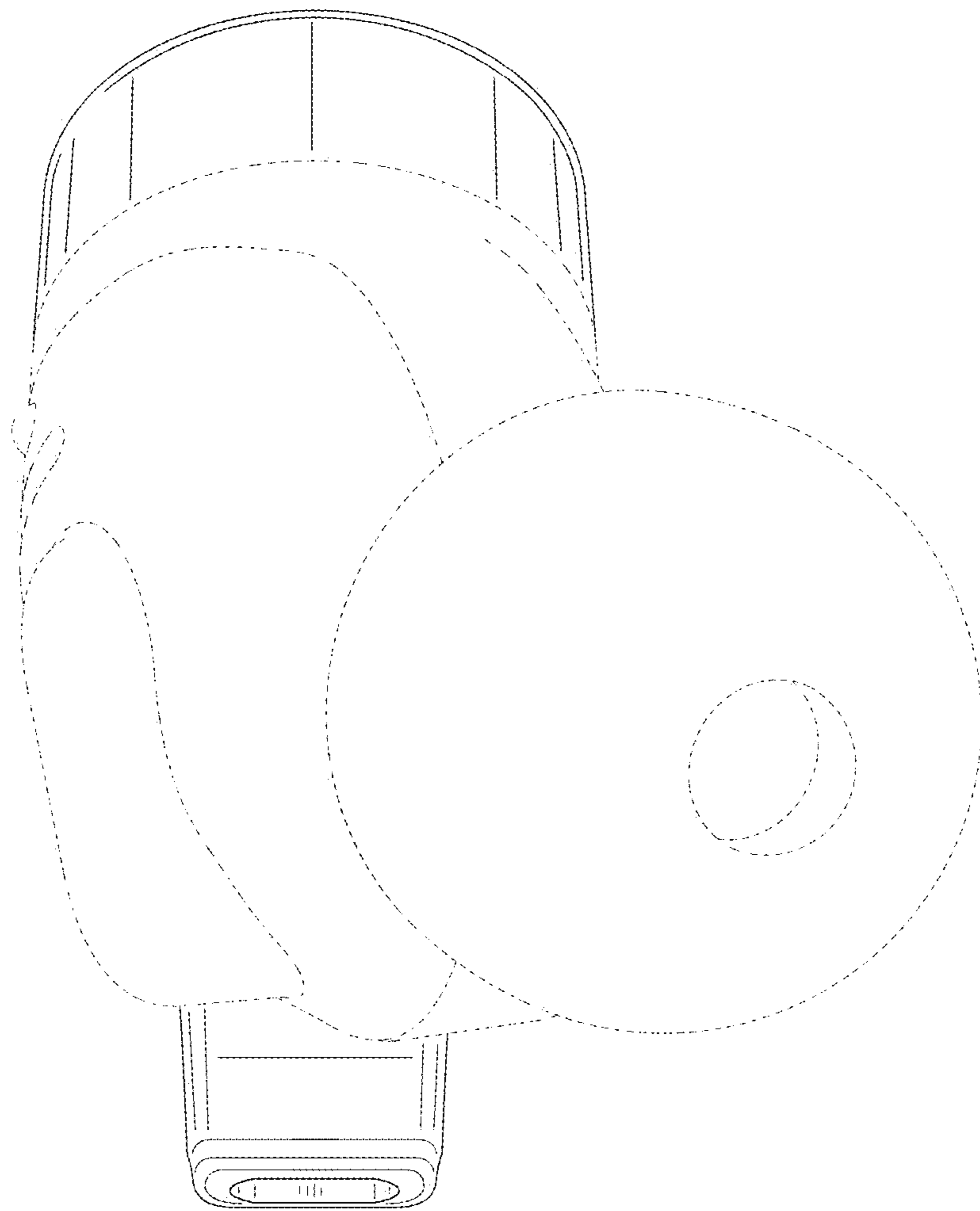


FIG.4

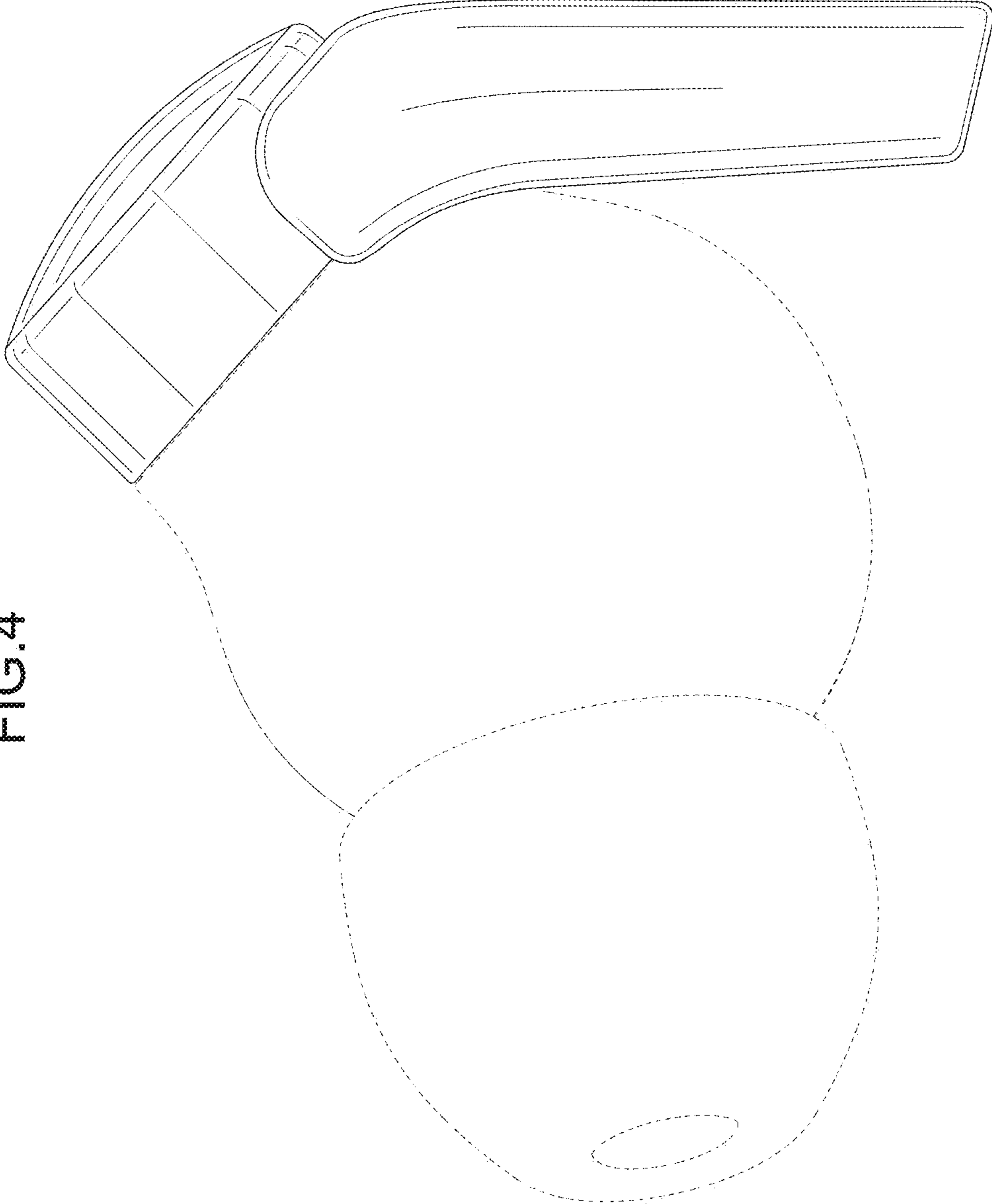


FIG. 5

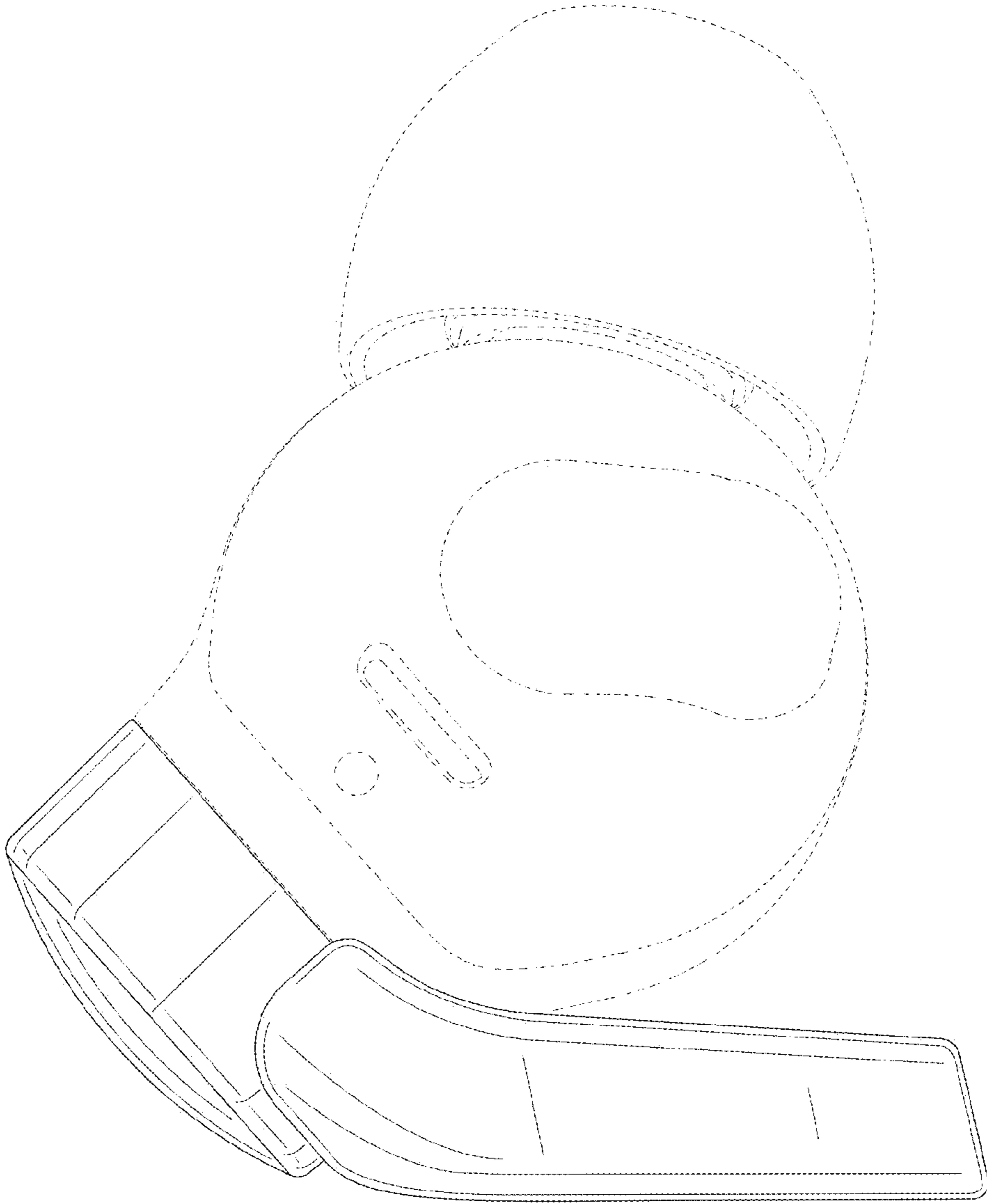


FIG.6

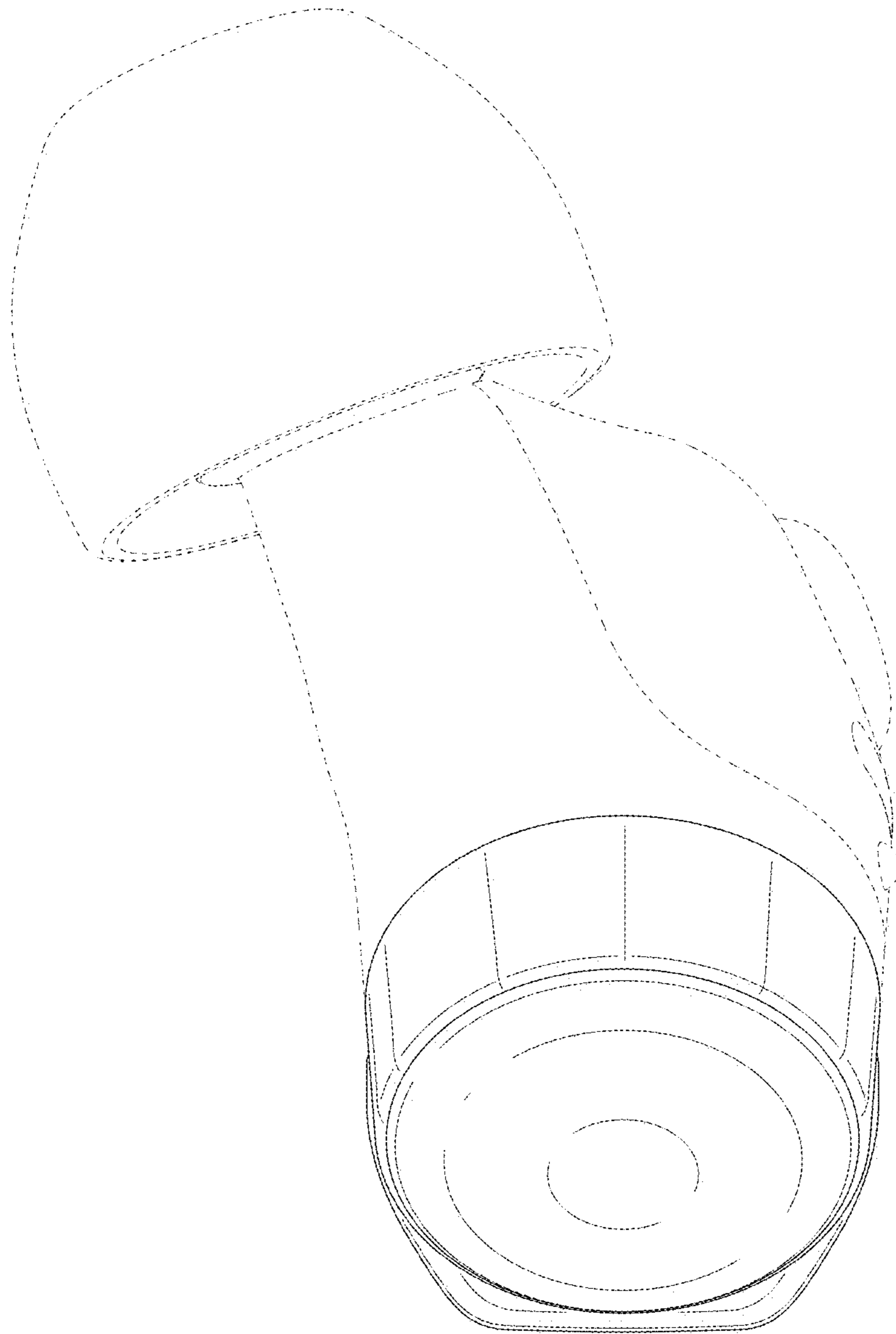


FIG.7

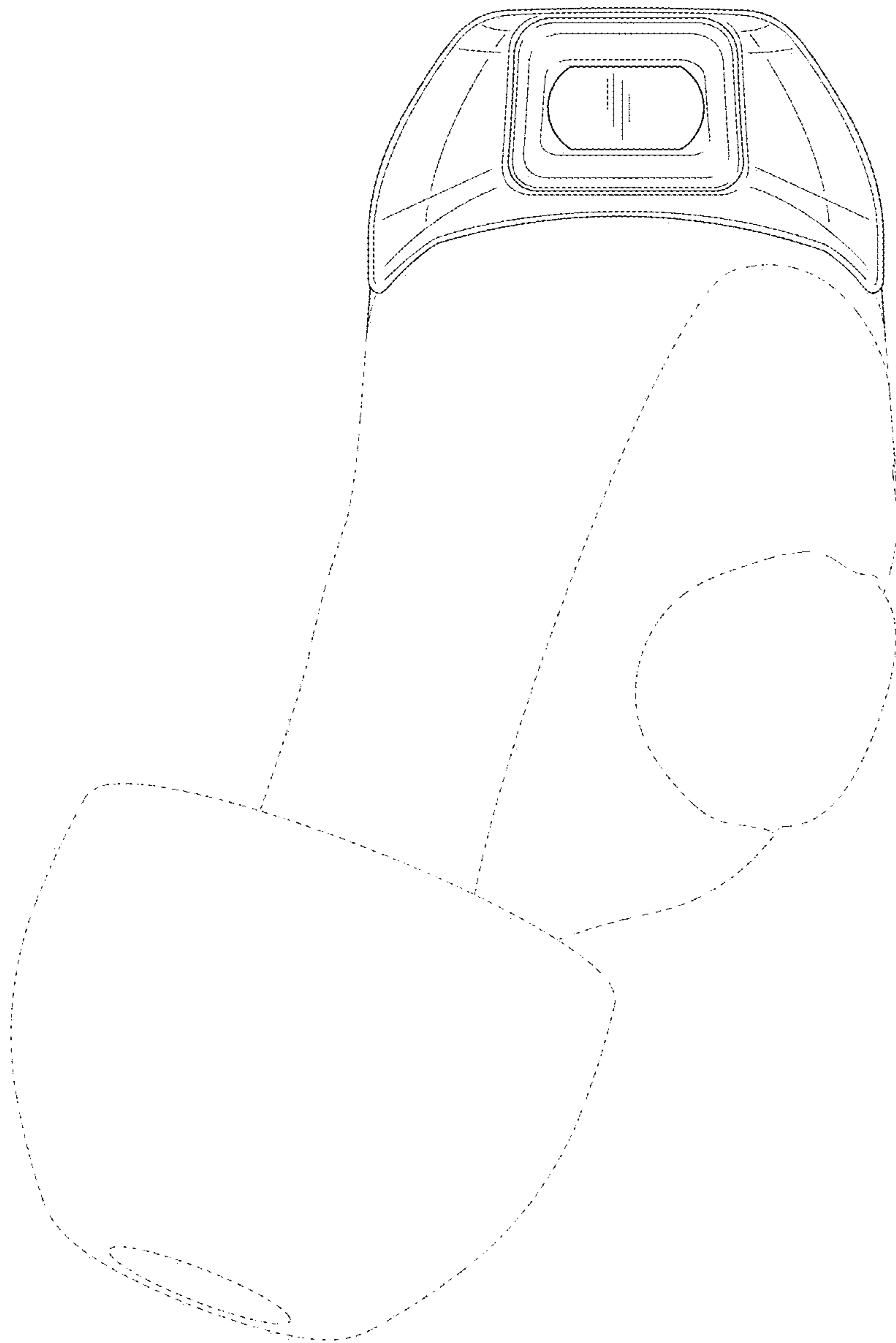


FIG.8

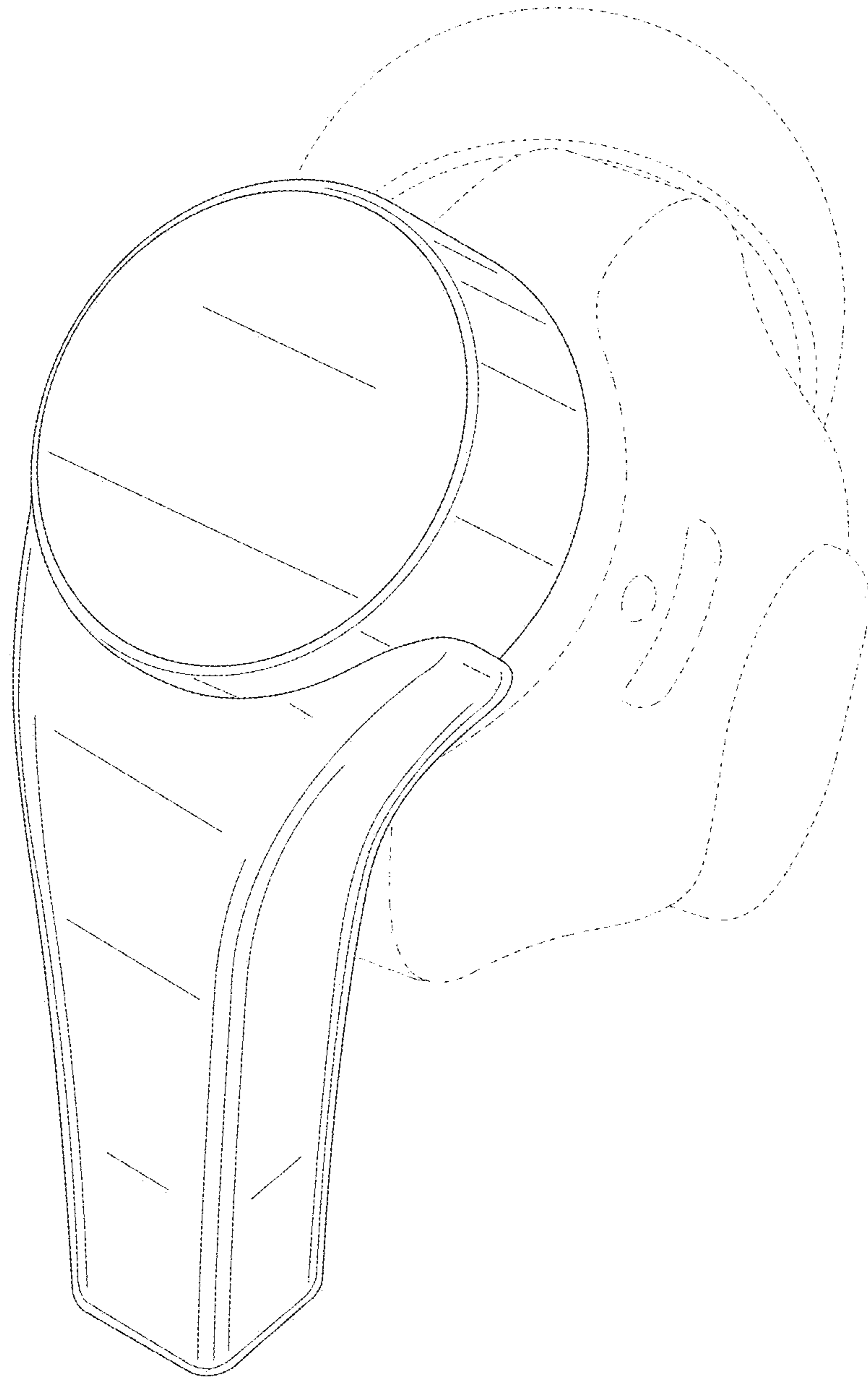


FIG. 9

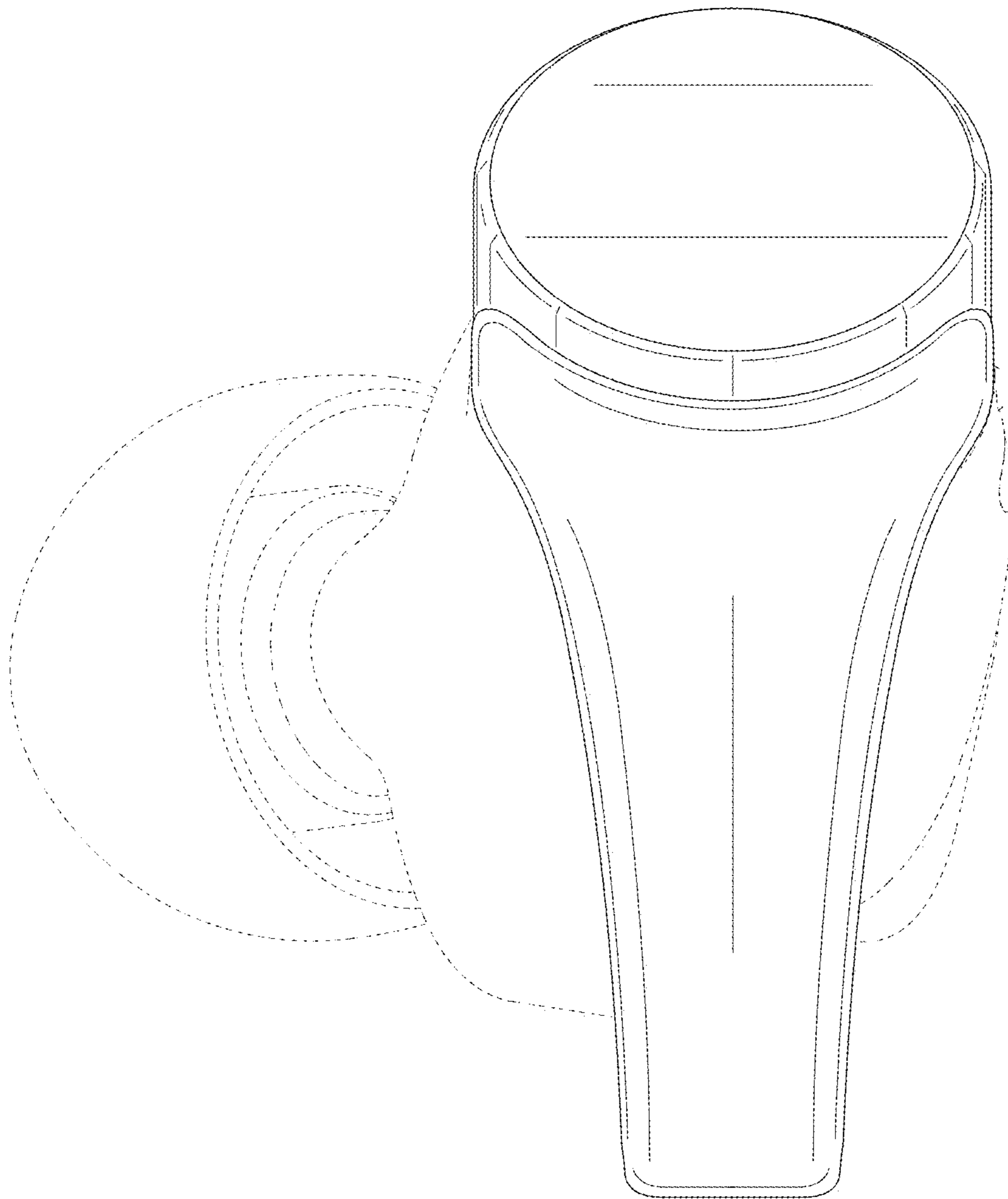
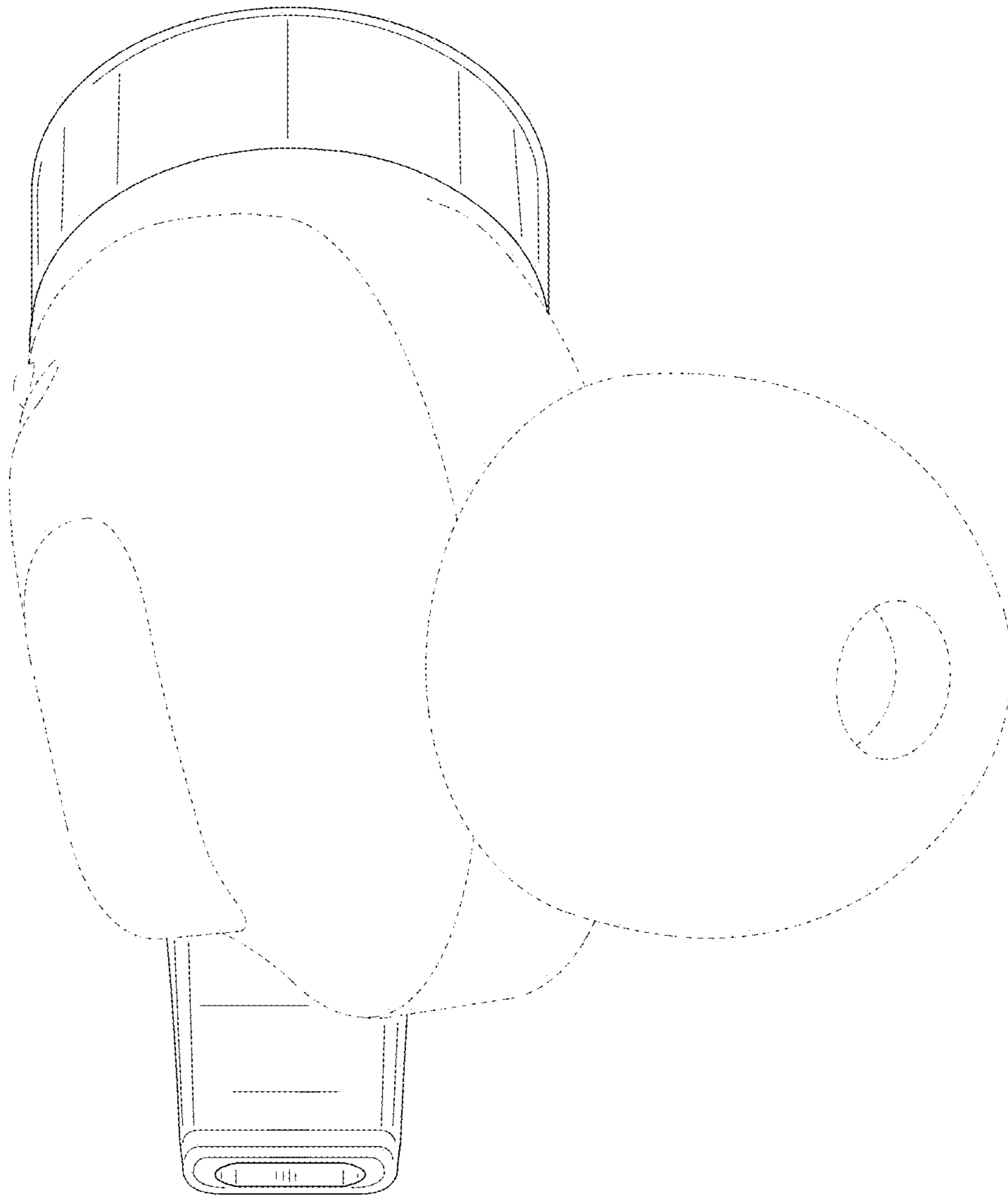


FIG. 10



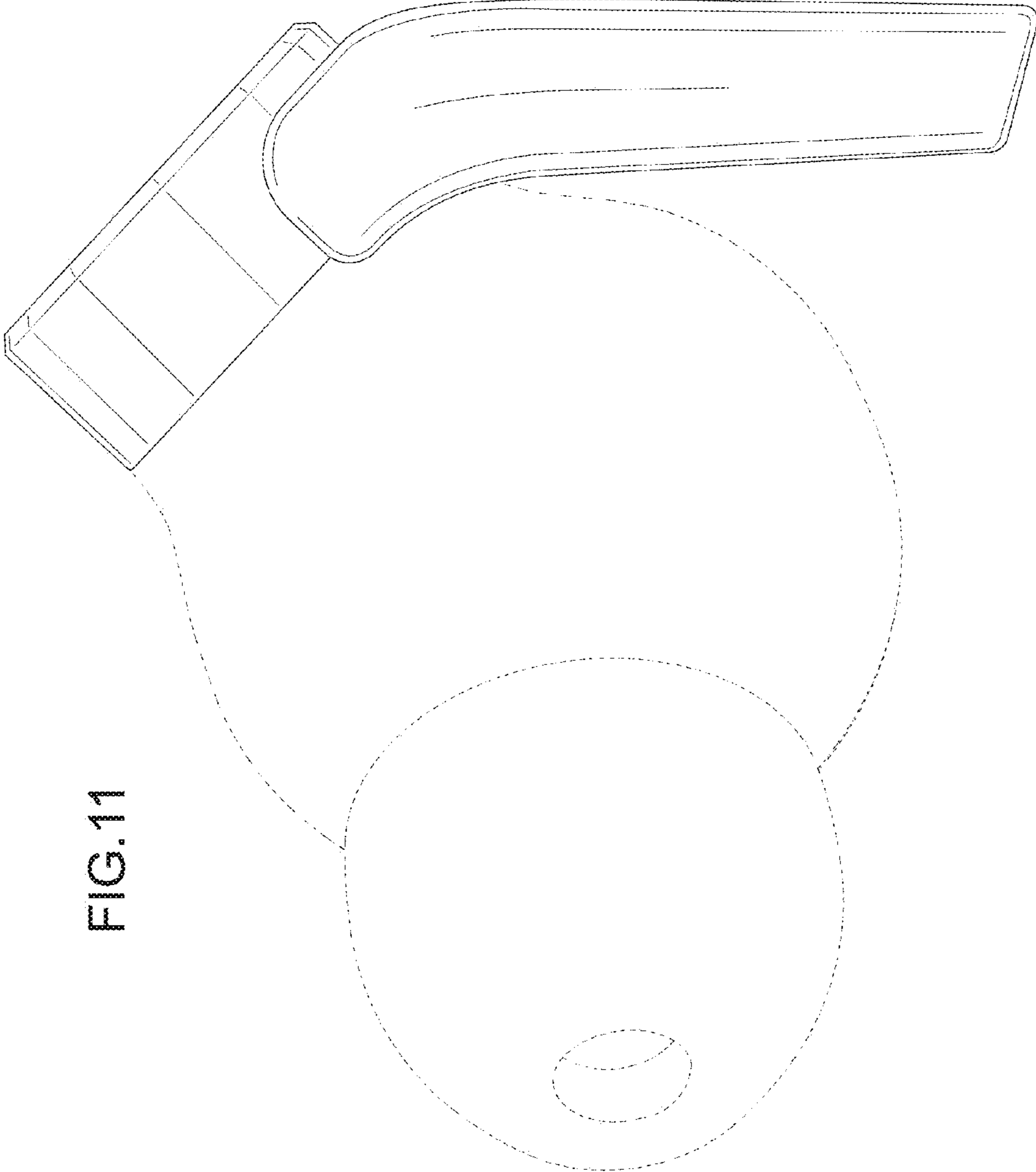


FIG.11

FIG.12

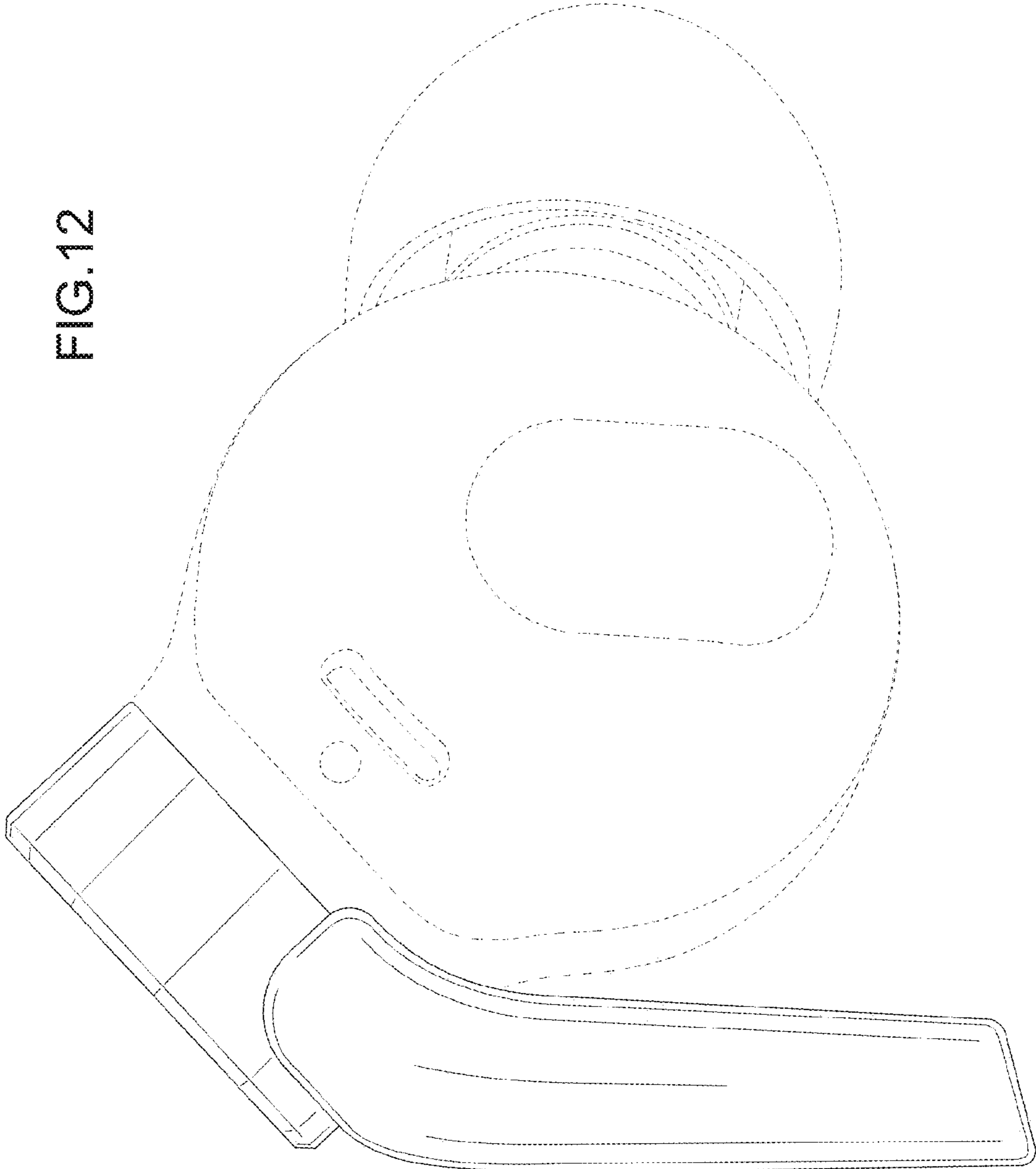


FIG. 13

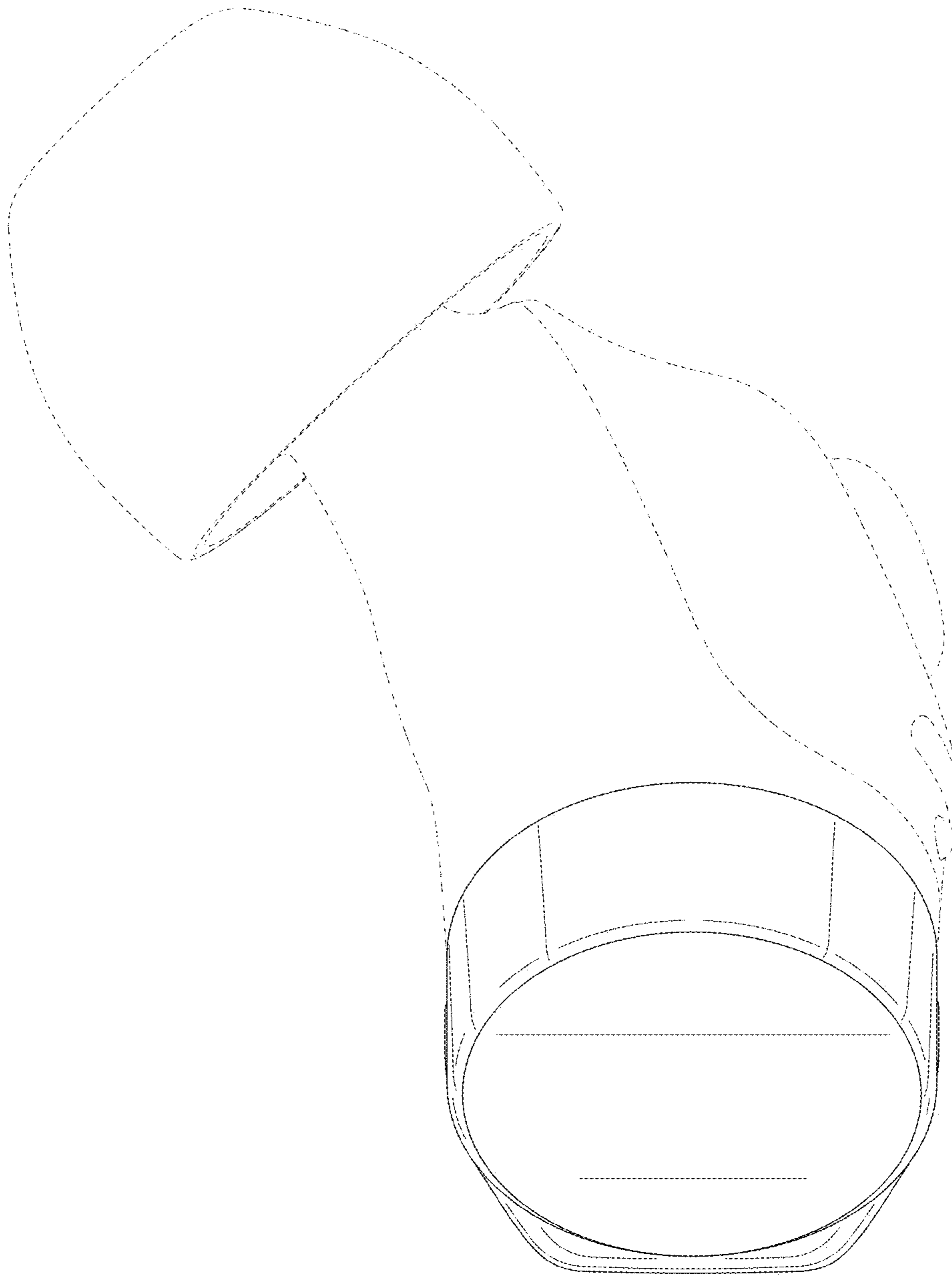


FIG.14

