



US00D701194S

(12) **United States Design Patent**  
**Paddock**

(10) **Patent No.:** **US D701,194 S**  
(45) **Date of Patent:** **\*\* Mar. 18, 2014**

(54) **SPEAKER**

(71) Applicant: **Sound Research Corporation**, Truckee, CA (US)

(72) Inventor: **Thomas L. Paddock**, Truckee, CA (US)

(73) Assignee: **Sound Research Corporation**, Truckee, CA (US)

(\*\*) Term: **14 Years**

(21) Appl. No.: **29/461,921**

(22) Filed: **Jul. 29, 2013**

**Related U.S. Application Data**

(63) Continuation of application No. 29/413,236, filed on Feb. 13, 2012, now Pat. No. Des. 687,014.

(51) **LOC (10) Cl.** ..... **14-03**

(52) **U.S. Cl.**  
USPC ..... **D14/213**

(58) **Field of Classification Search**  
USPC ..... D14/167, 172, 194–196, 204, 207, D14/209.1, 210–216, 221, 222; 181/143, 181/144, 147, 148, 150, 153, 157, 198, 181/199; 381/300–303, 306, 332, 333, 336, 381/345, 361–364, 386–388  
See application file for complete search history.

(56) **References Cited**

**U.S. PATENT DOCUMENTS**

D439,239 S 3/2001 Ito et al.  
D439,240 S 3/2001 Ito et al.  
D518,818 S 4/2006 Motoishi

D542,777 S 5/2007 Sato  
D544,466 S 6/2007 Pincek et al.  
D581,901 S 12/2008 Pincek et al.  
D618,215 S \* 6/2010 Wang et al. .... D14/215  
D624,048 S 9/2010 Kim  
D627,329 S 11/2010 Ryu et al.  
D628,553 S \* 12/2010 Cho ..... D14/168  
D645,453 S \* 9/2011 Kim et al. .... D14/215  
D655,275 S \* 3/2012 Won et al. .... D14/214  
D664,119 S \* 7/2012 Won et al. .... D14/215  
D664,122 S 7/2012 Cho et al.  
D671,527 S 11/2012 Lee et al.  
D675,598 S \* 2/2013 Paddock ..... D14/215  
D687,015 S 7/2013 Paddock

\* cited by examiner

*Primary Examiner* — Keli L Hill

(74) *Attorney, Agent, or Firm* — Edward B. Weller

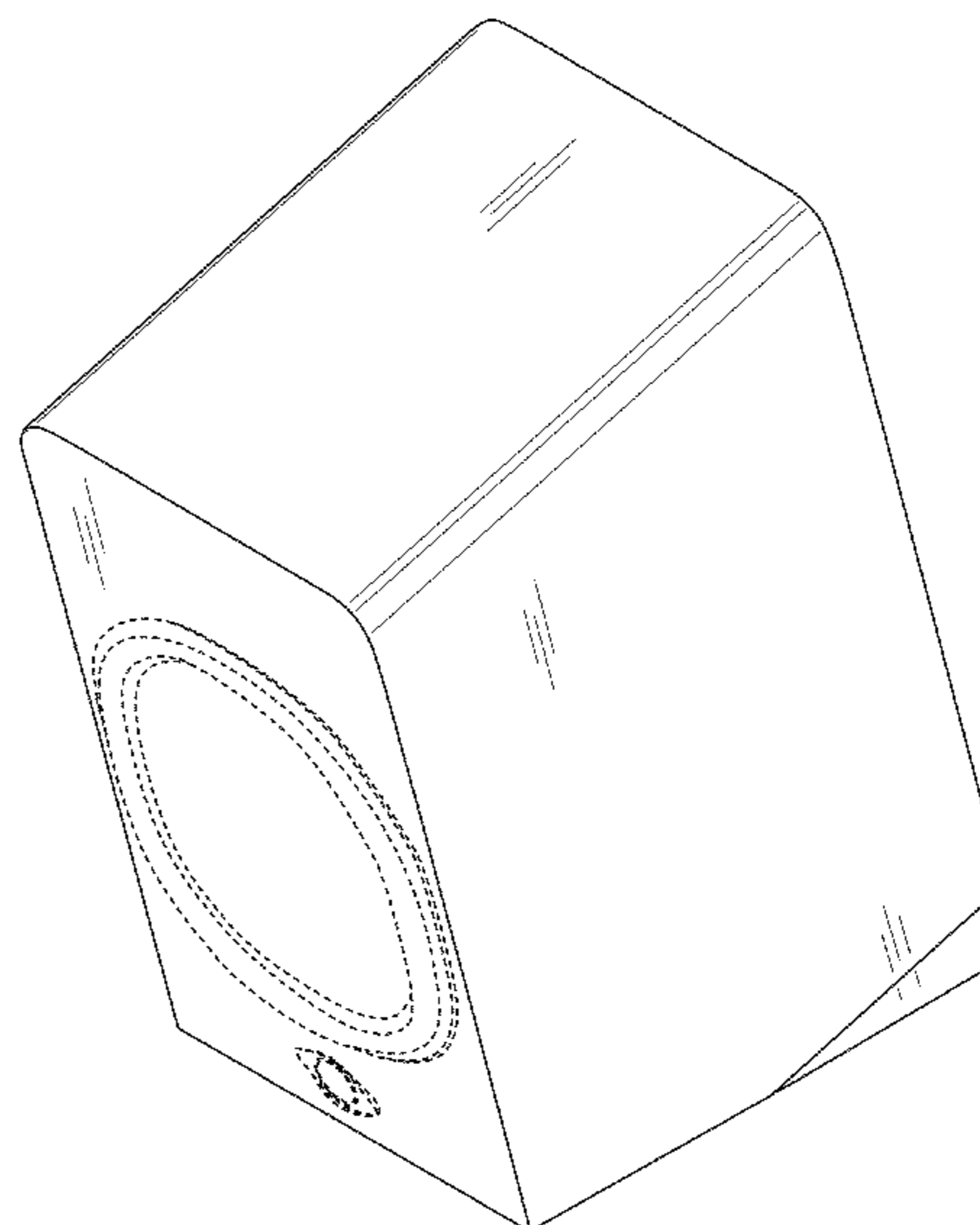
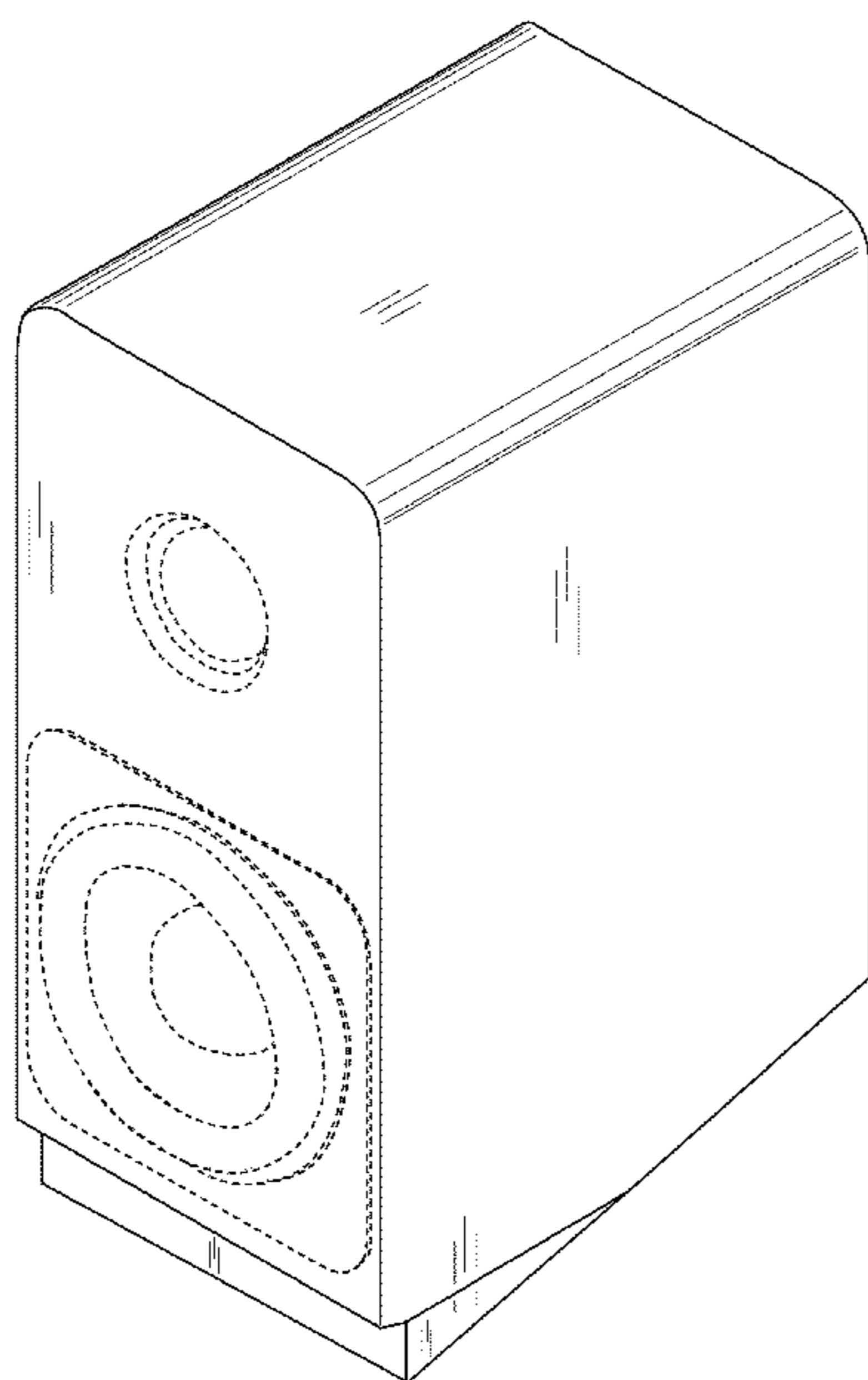
(57) **CLAIM**

The ornamental design for a speaker, as shown and described.

**DESCRIPTION**

FIG. 1 is a perspective view of the right side, front, and top of a speaker showing my new design;  
FIG. 2 is a perspective view of the left side, back, and top thereof;  
FIG. 3 is a front elevational view thereof;  
FIG. 4 is a left side elevational view; the right side elevational view being a mirror image of the left side elevational view;  
FIG. 5 is a top view thereof;  
FIG. 6 is a bottom elevational view thereof; and,  
FIG. 7 is a back elevational view thereof.  
The broken lines shown are included for the purpose of illustrating the unclaimed portions of the speaker and form no part of the claim.

**1 Claim, 7 Drawing Sheets**



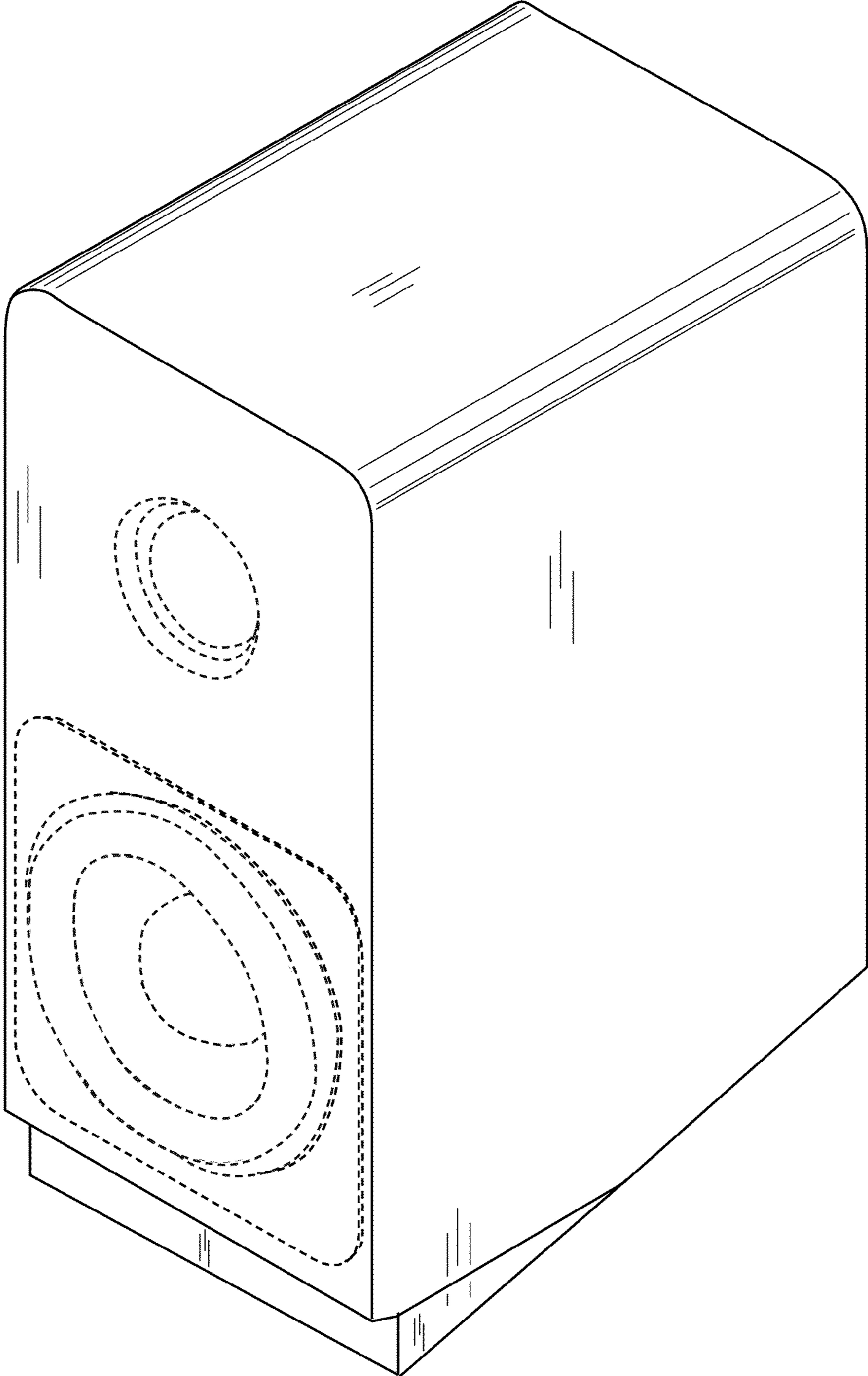


FIG. 1

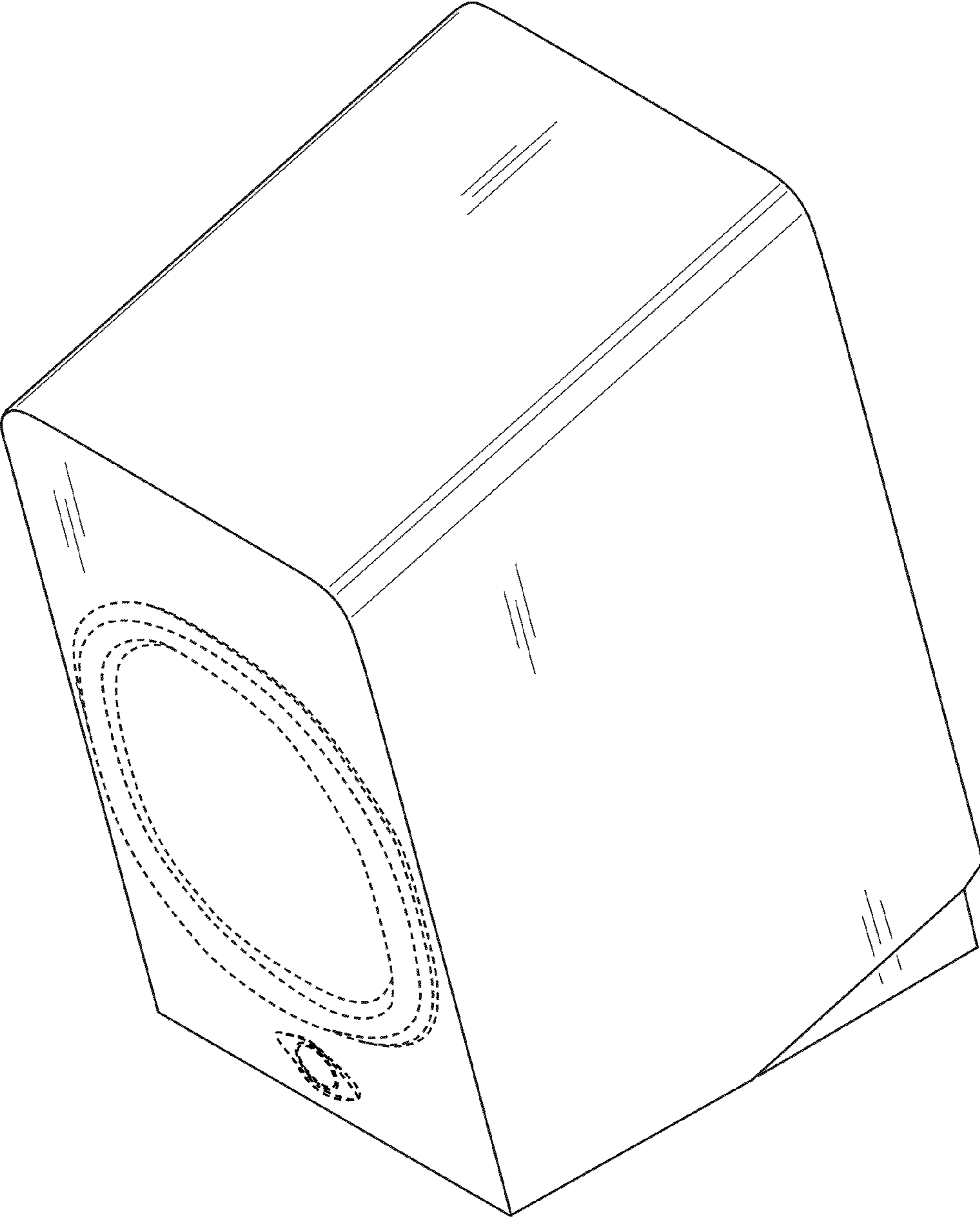


FIG. 2

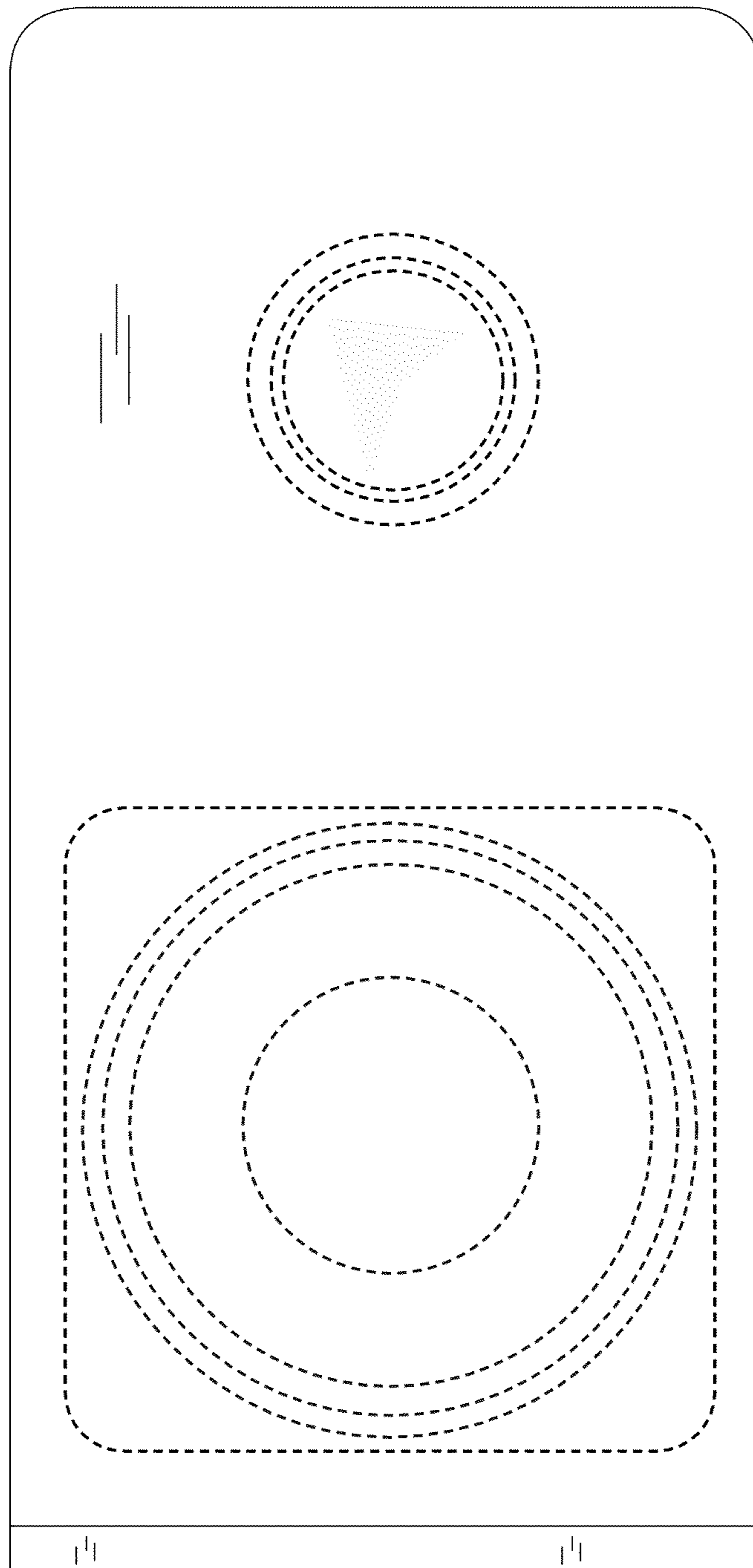


FIG. 3

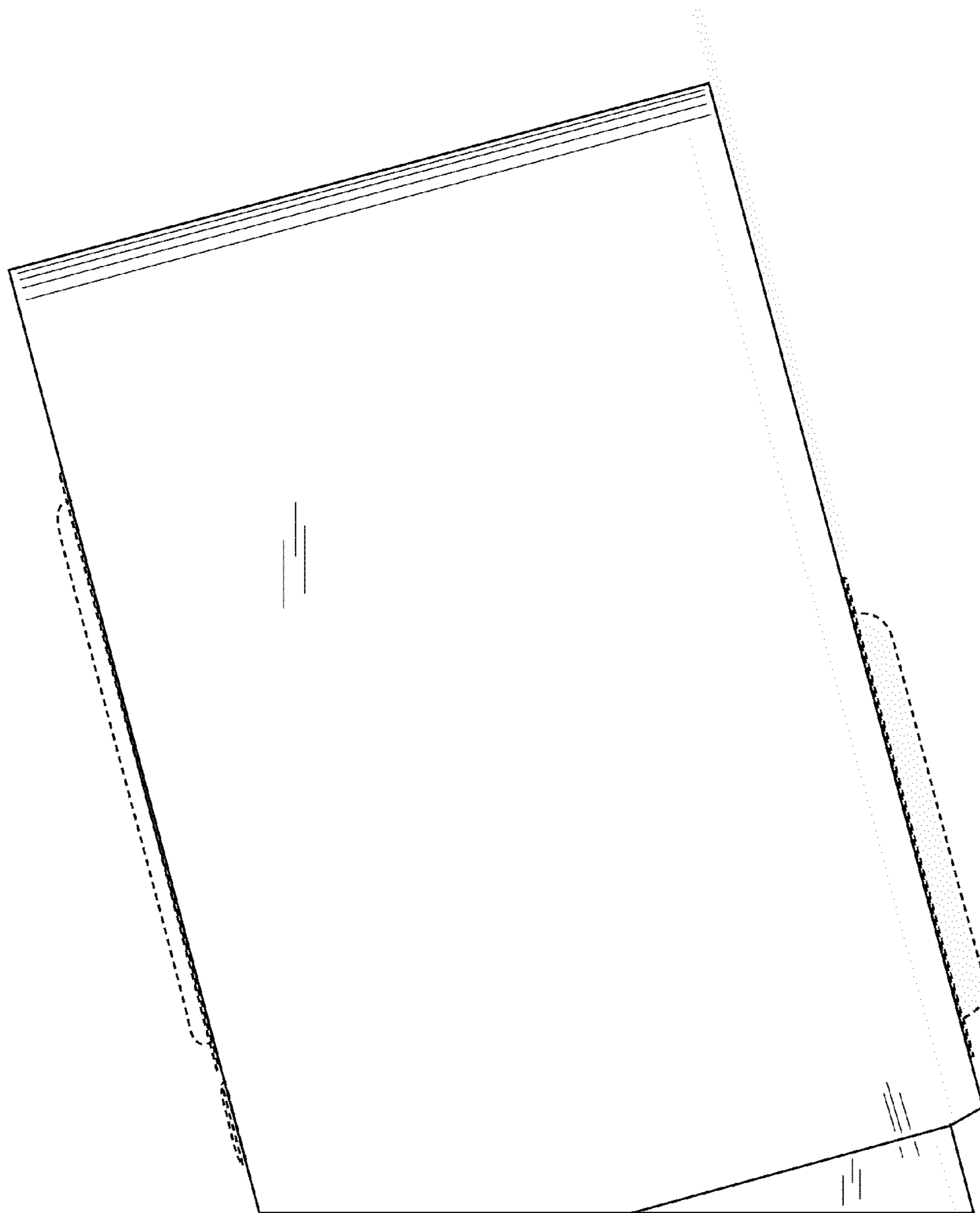


FIG. 4

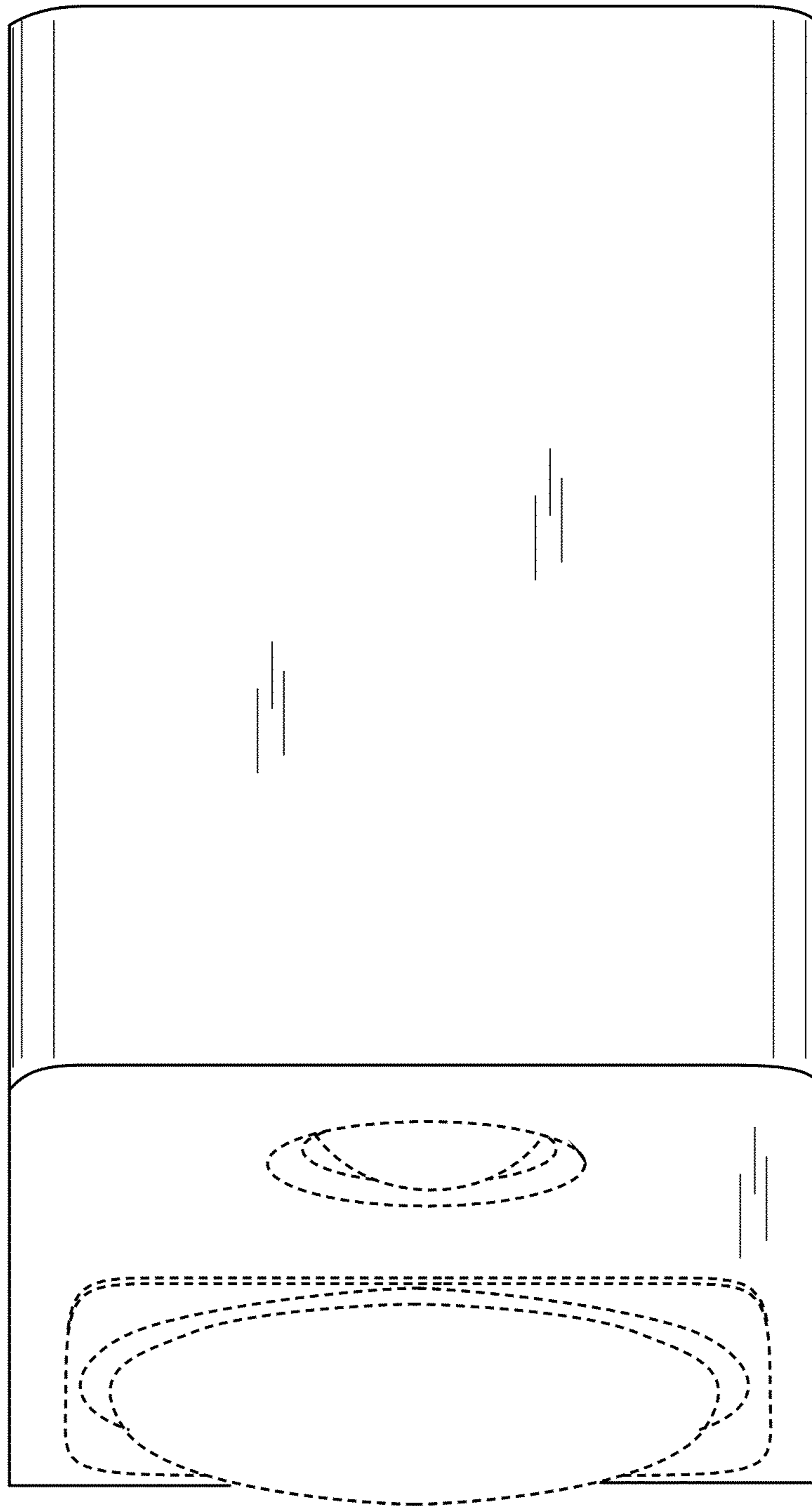


FIG. 5

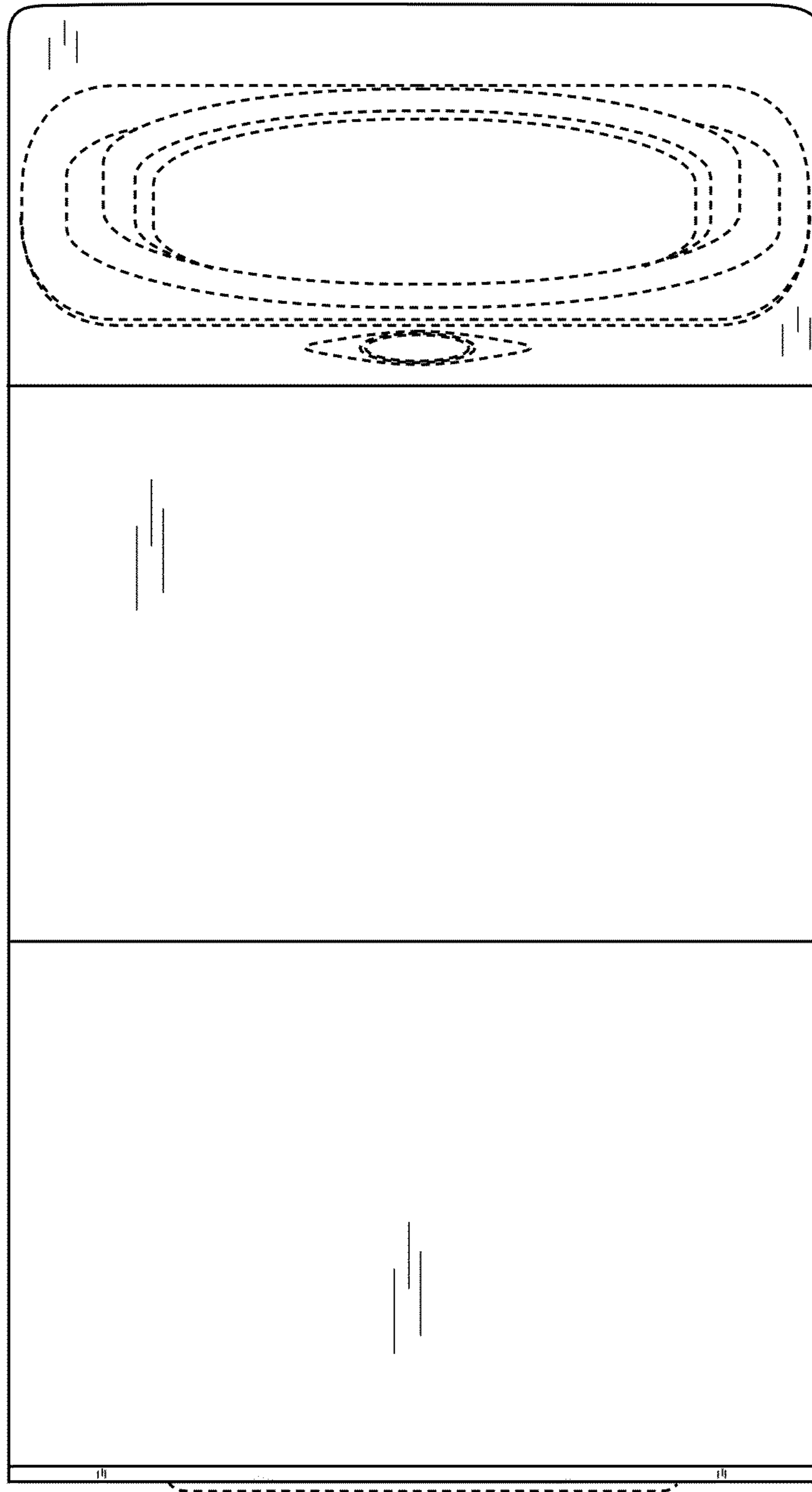


FIG. 6

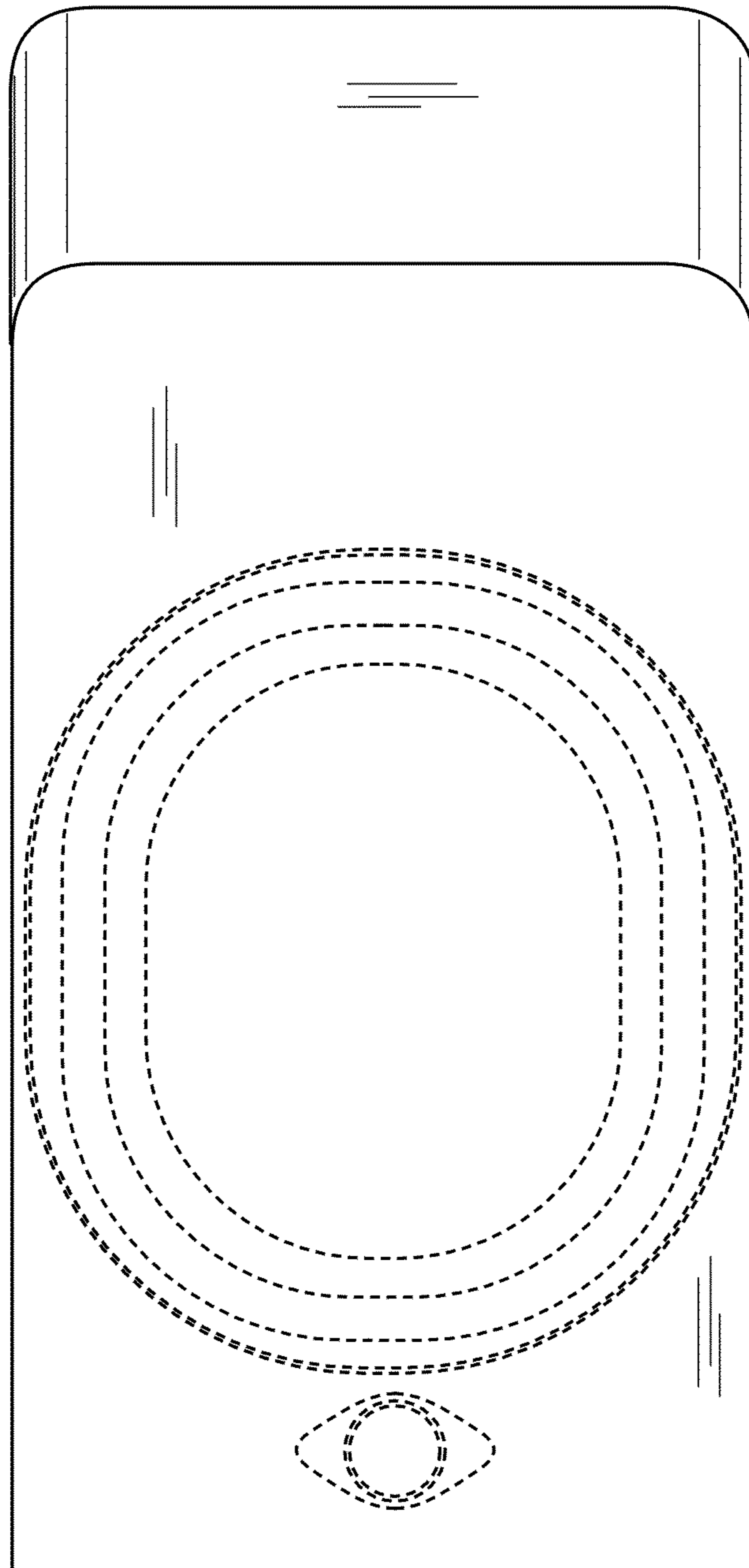


FIG. 7