



US00D701186S

(12) **United States Design Patent**
Kim

(10) **Patent No.:** **US D701,186 S**
(45) **Date of Patent:** **** Mar. 18, 2014**

(54) **TELEVISION RECEIVER**

(71) Applicant: **Samsung Electronics Co., Ltd.**,
Suwon-si (KR)
(72) Inventor: **Jae-Hyung Kim**, Gwangju-Si (KR)
(73) Assignee: **Samsung Electronics Co., Ltd.**,
Suwon-si (KR)

(**) Term: **14 Years**

(21) Appl. No.: **29/454,041**

(22) Filed: **May 6, 2013**

(30) **Foreign Application Priority Data**

Nov. 21, 2012 (KR) 30-2012-0055638

(51) **LOC (10) Cl.** **14-03**

(52) **U.S. Cl.**
USPC **D14/126**

(58) **Field of Classification Search**
USPC D14/125-134, 239, 371, 136, 374-377,
D14/440, 450, 448, 336, 342, 159; 312/7.2;
348/836, 838, 180, 184, 325, 739;
341/12; 248/917-924, 465; 345/104,
345/133, 156, 168, 87, 173; 720/605, 669,
720/600, 655; 369/99, 197; D21/329, 515,
D21/577, 622, 333, 433, 448, 452, 450, 331,
D21/505; D6/477, 479, 300; 273/148 B;
446/484, 175, 356; D10/15, 26

See application file for complete search history.

(56) **References Cited**

U.S. PATENT DOCUMENTS

D626,924 S *	11/2010	Miyaji	D14/126
D661,271 S *	6/2012	Hwangbo et al.	D14/126
D661,272 S *	6/2012	Kim et al.	D14/126
D666,165 S *	8/2012	Kim et al.	D14/126
D675,175 S *	1/2013	Kim et al.	D14/126
D691,102 S *	10/2013	Park et al.	D14/126

* cited by examiner

Primary Examiner — Raphael Barkai

(74) *Attorney, Agent, or Firm* — NSIP Law

(57) **CLAIM**

The ornamental design for a television receiver, as shown and described.

DESCRIPTION

FIG. 1 is a perspective view of a television receiver, showing my new design;

FIG. 2 is a front view thereof;

FIG. 3 is a rear view thereof;

FIG. 4 is a left-side view thereof;

FIG. 5 is a right-side view thereof;

FIG. 6 is a top plan view thereof;

FIG. 7 is a bottom plan view thereof; and,

FIG. 8 is a rear perspective view thereof.

The broken lines are for environmental purposes only and form no part of the claimed design. The shade lines in the figures show contour and not surface ornamentation. The diagonal lines in the FIGS. 1, 2 and 6 represent a reflective surface.

1 Claim, 6 Drawing Sheets

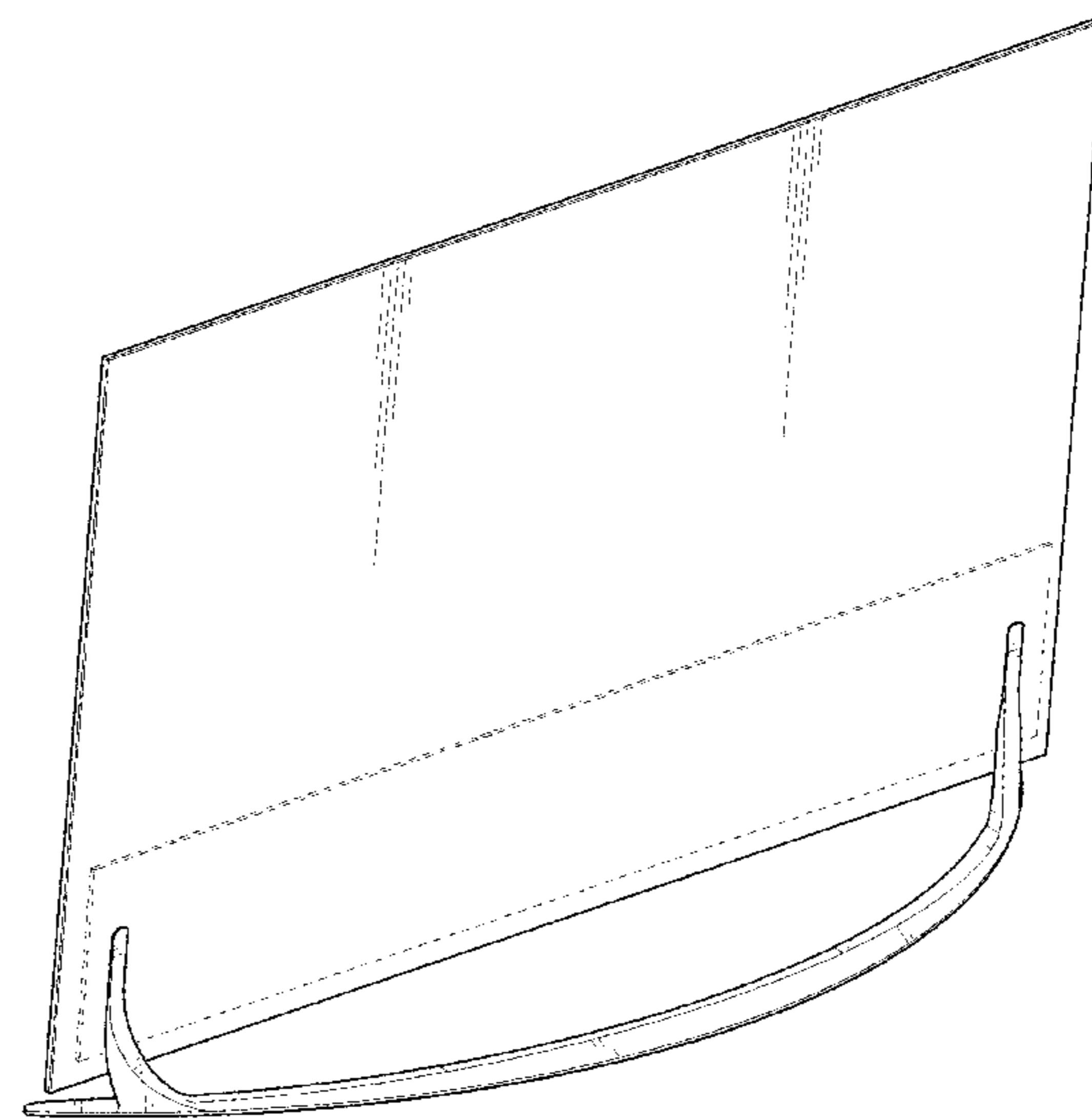
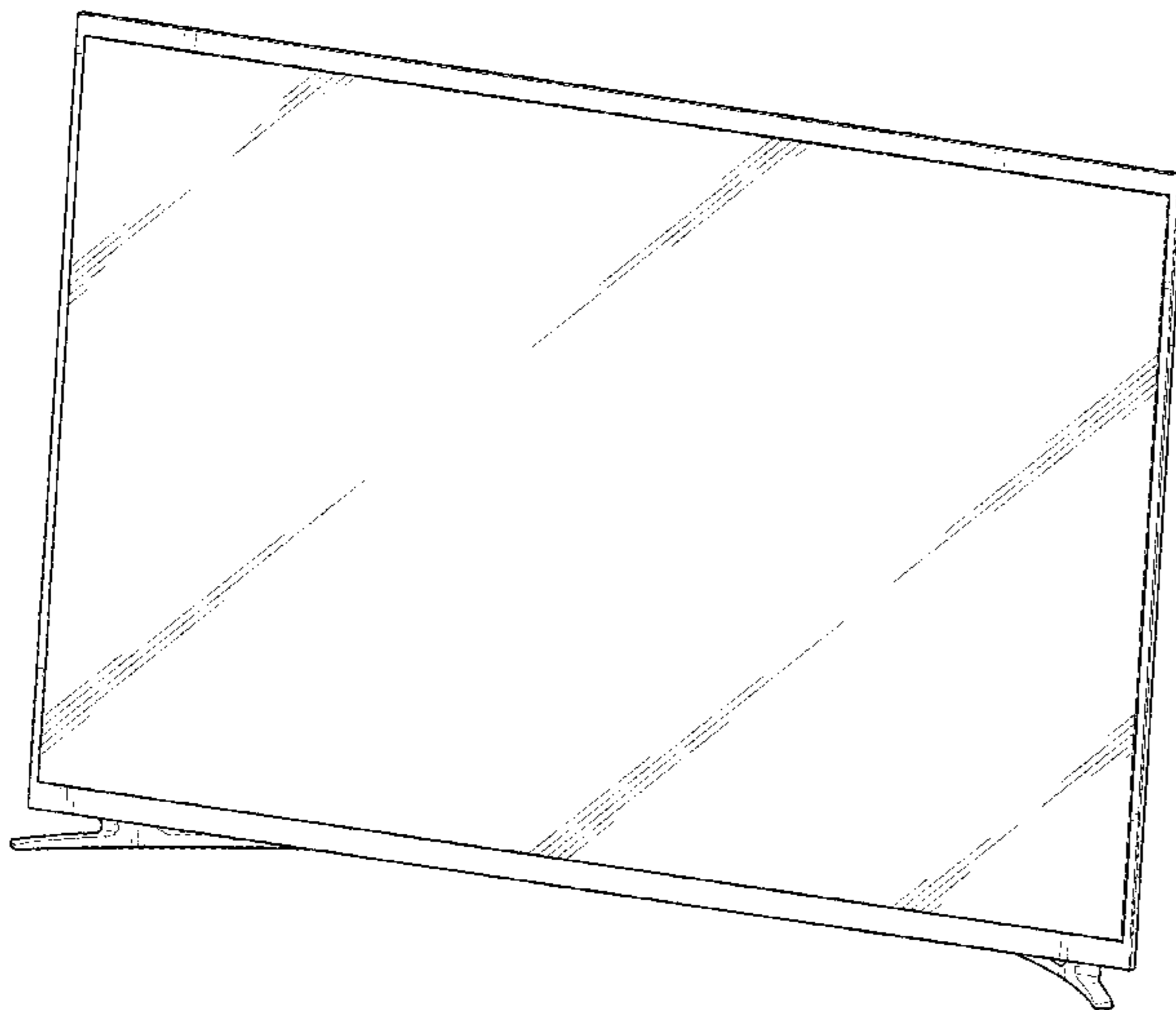


FIG. 1

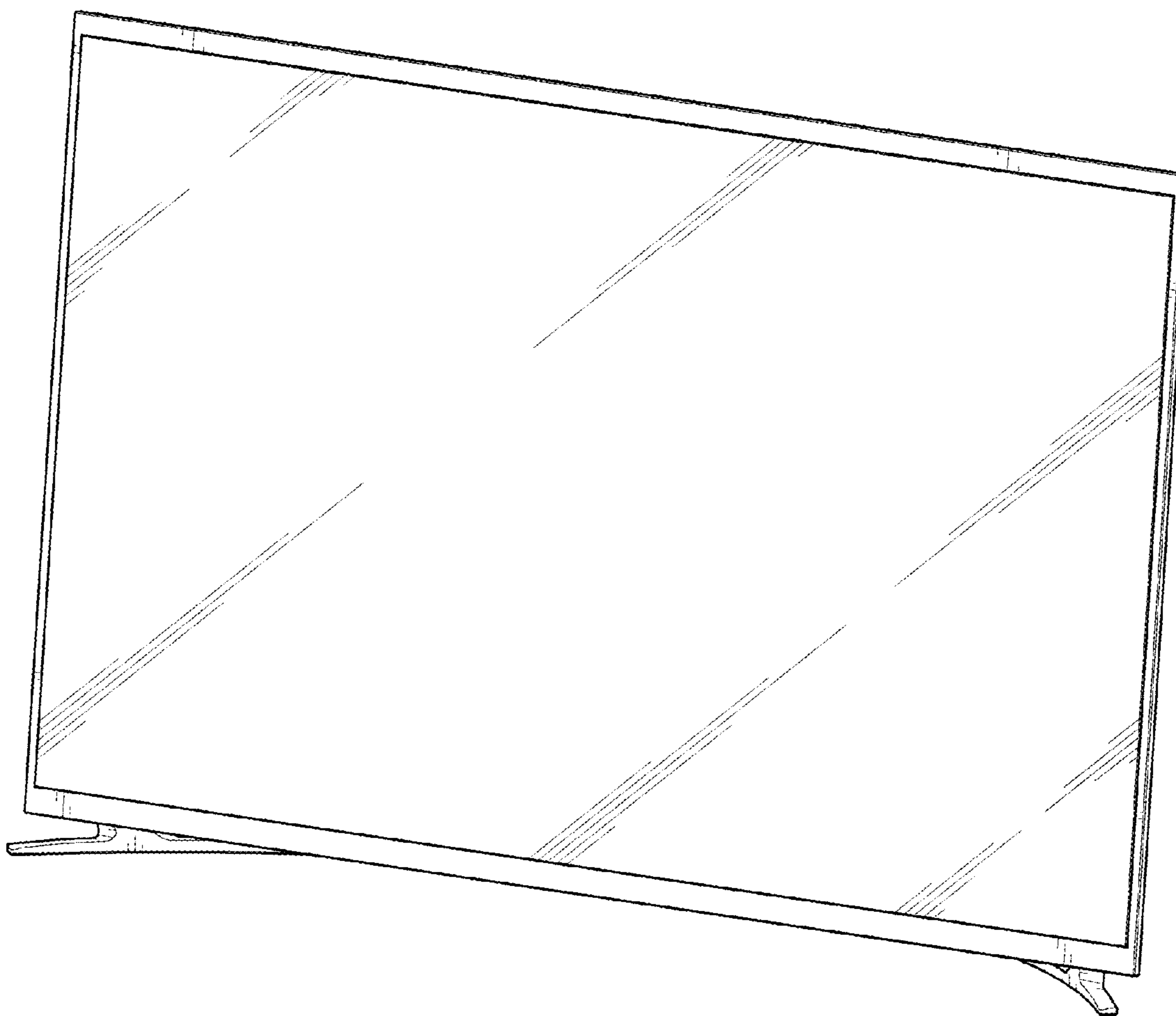


FIG. 2

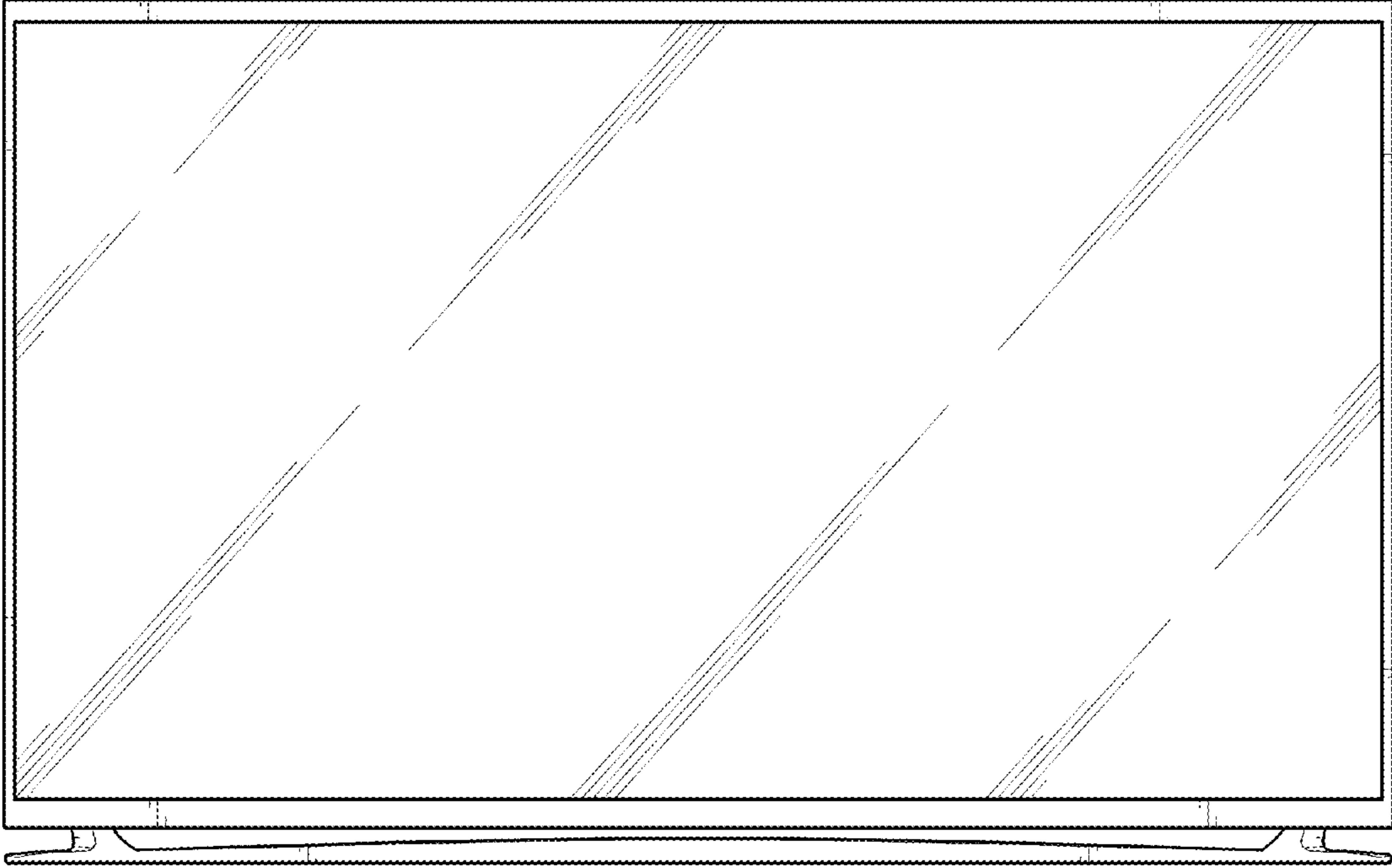


FIG. 3

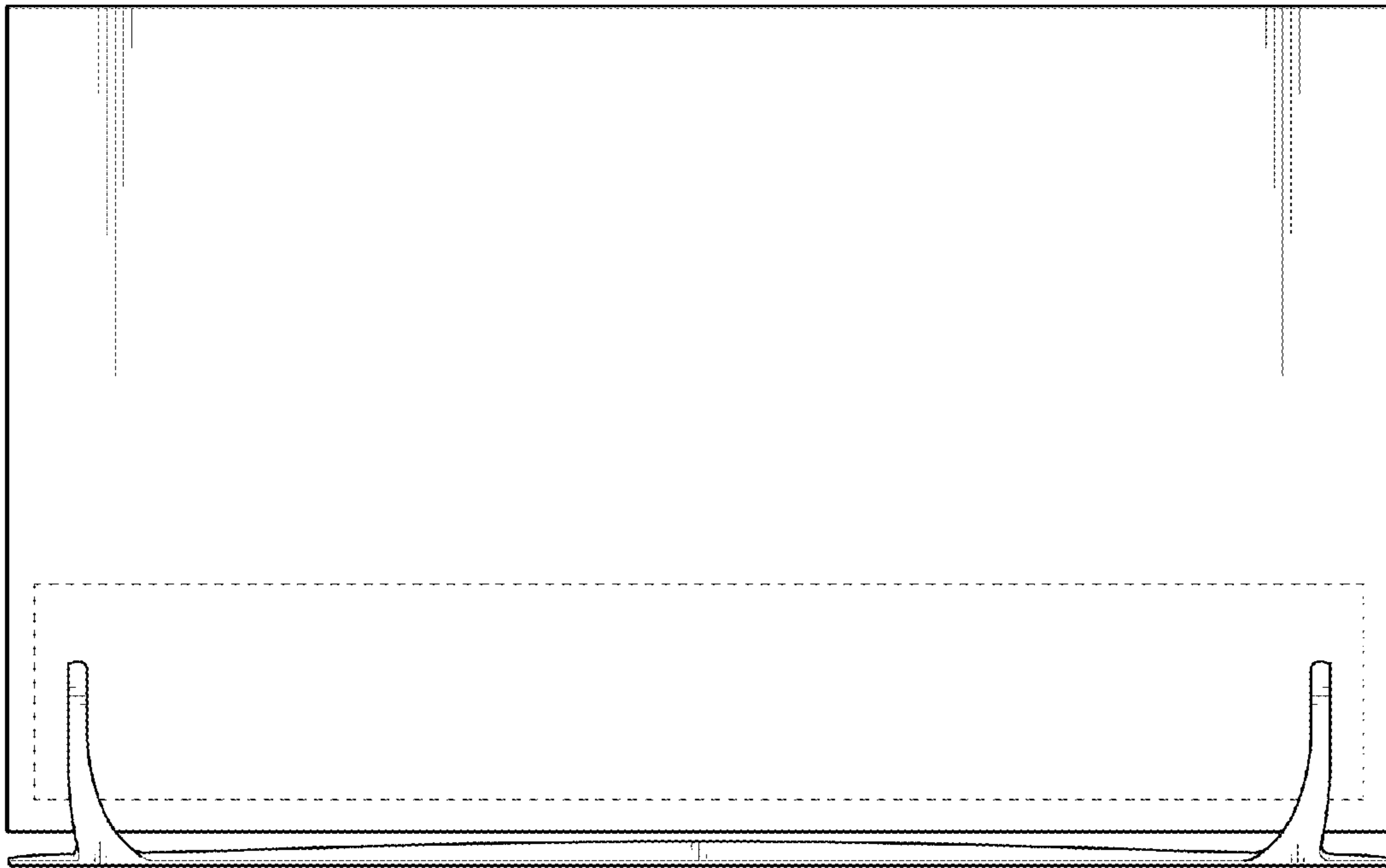


FIG. 4

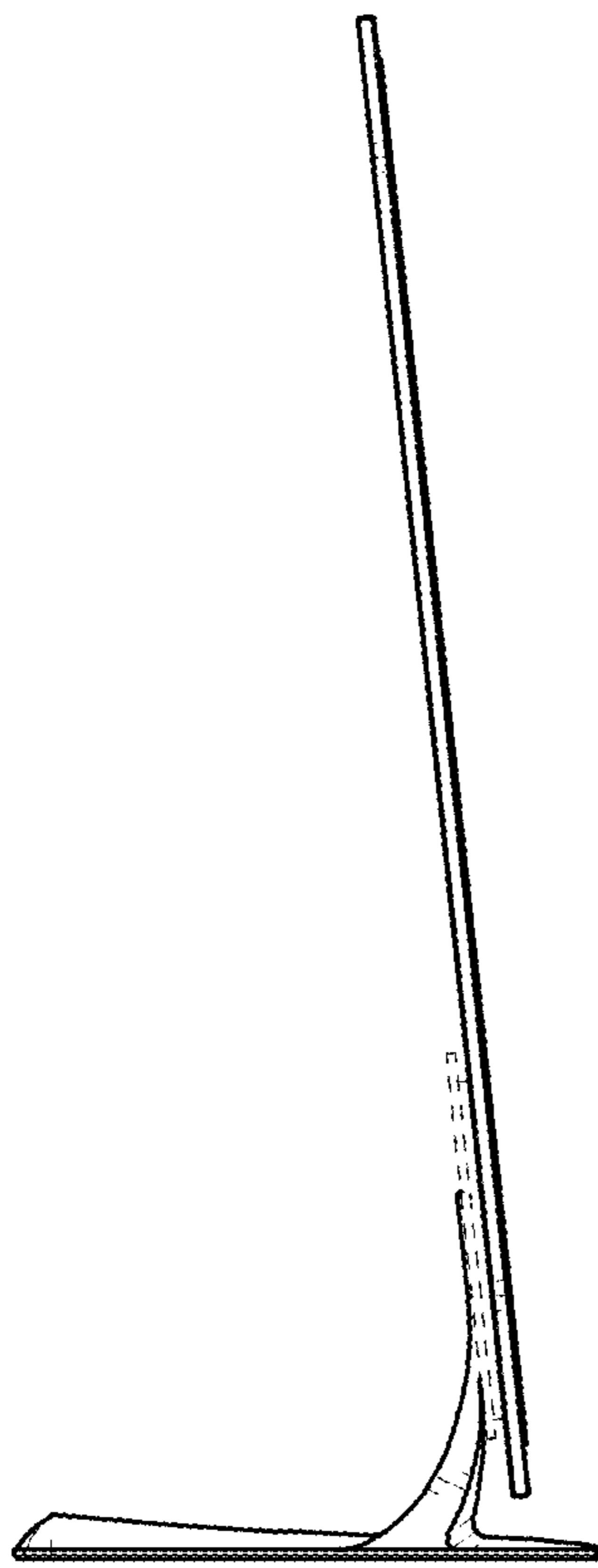


FIG. 5

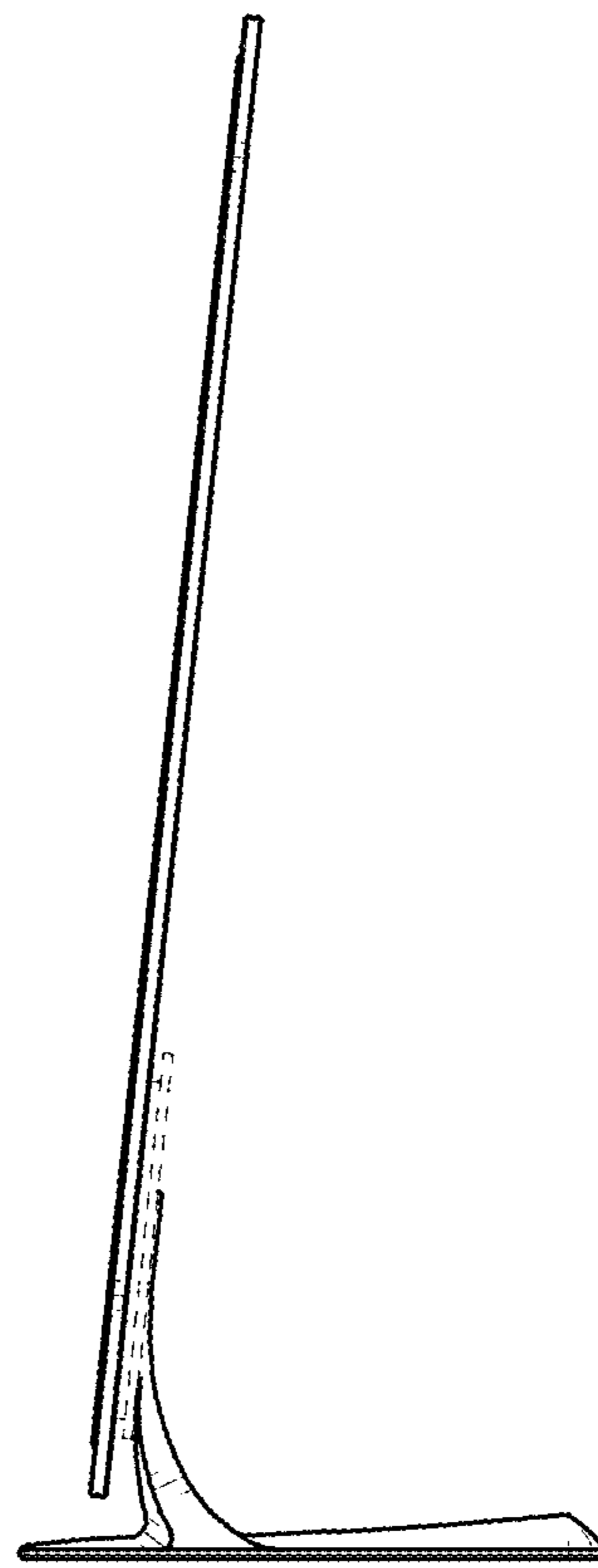


FIG. 6

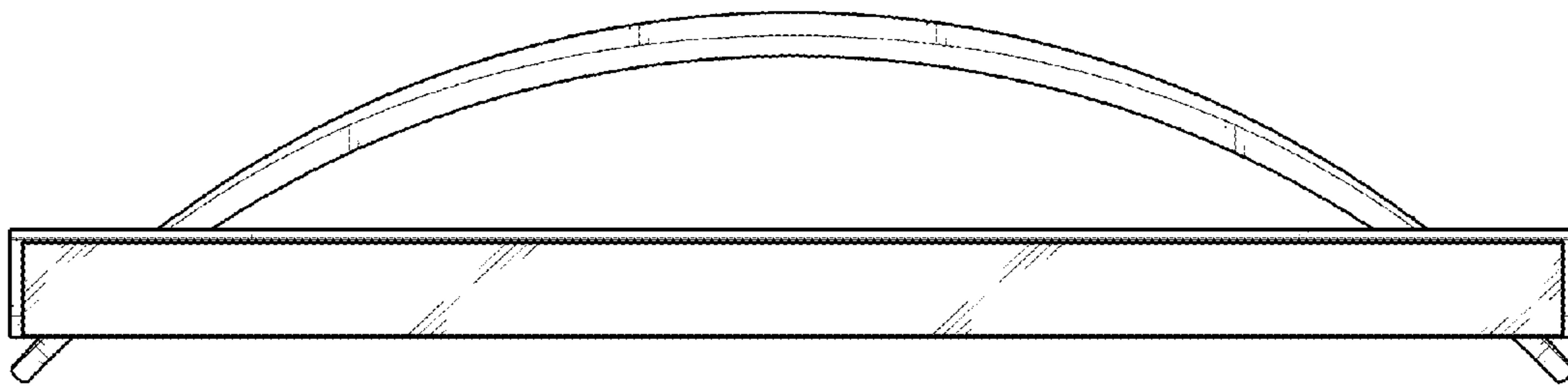


FIG. 7

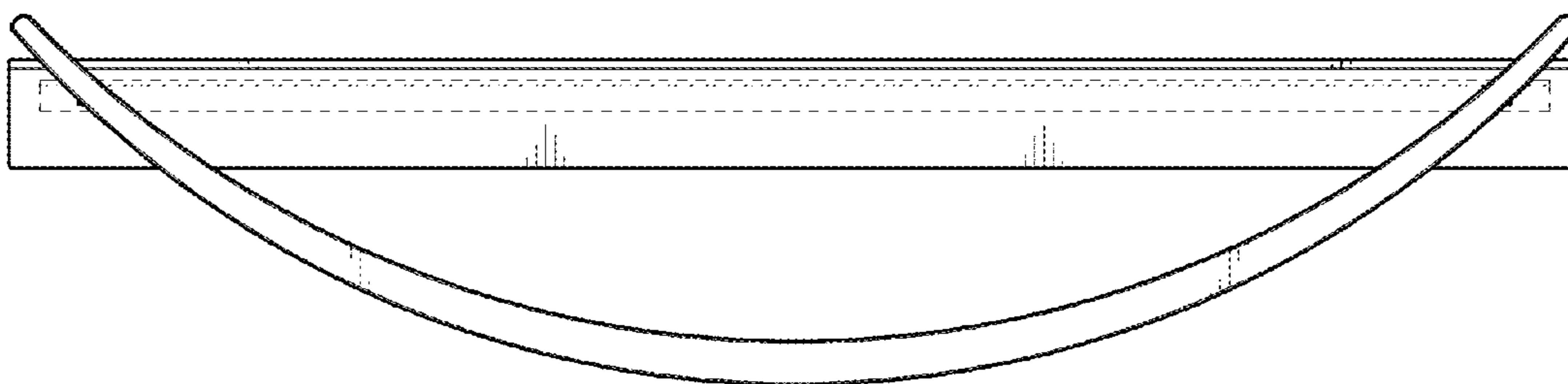


FIG. 8

