



US00D701184S

(12) **United States Design Patent**  
**Son et al.**

(10) **Patent No.:** **US D701,184 S**  
(45) **Date of Patent:** **\*\* Mar. 18, 2014**

(54) **AV PLAYER**

(71) Applicant: **Samsung Electronics Co., Ltd.**,  
Suwon-si (KR)

(72) Inventors: **Chae-Joo Son**, Namyangjoo-Si (KR);  
**Sung-II Bang**, Seoul (KR)

(73) Assignee: **Samsung Electronics Co., Ltd.**,  
Suwon-si (KR)

(\*\*) Term: **14 Years**

(21) Appl. No.: **29/446,979**

(22) Filed: **Feb. 28, 2013**

(30) **Foreign Application Priority Data**

Aug. 29, 2012 (KR) ..... 30-2012-0041545

(51) **LOC (10) Cl.** ..... **14-03**

(52) **U.S. Cl.**  
USPC ..... **D14/125**

(58) **Field of Classification Search**  
USPC ..... D14/125, 357-358, 496, 188, 242, 432;  
D13/184; 348/10, 460, 706, 731;  
340/825.03; 455/6.1, 6.2; 312/223.1,  
312/7.2; D9/432  
See application file for complete search history.

(56) **References Cited**

**U.S. PATENT DOCUMENTS**

D513,617 S \* 1/2006 Tierney ..... D14/496  
D549,190 S \* 8/2007 Paradise et al. .... D14/125

D556,705 S \* 12/2007 Reynolds et al. .... D14/125  
D558,783 S \* 1/2008 Andre et al. .... D14/496  
D593,972 S \* 6/2009 Cho et al. .... D14/125  
D600,251 S \* 9/2009 Poandl ..... D14/496  
D616,875 S \* 6/2010 Oh et al. .... D14/240  
D622,259 S \* 8/2010 Joseph et al. .... D14/171  
D626,831 S \* 11/2010 Nicholas ..... D9/432  
D639,255 S \* 6/2011 de Salis ..... D14/125  
D650,394 S \* 12/2011 Seoc et al. .... D14/496  
D673,128 S \* 12/2012 Kelly et al. .... D14/125  
D675,173 S \* 1/2013 Paradise et al. .... D14/125

\* cited by examiner

*Primary Examiner* — Randall Gholson

(74) *Attorney, Agent, or Firm* — NSIP Law

(57) **CLAIM**

The ornamental design for an AV player, as shown and described.

**DESCRIPTION**

FIG. 1 is a front perspective view of an AV player;  
FIG. 2 is a front view of the AV player of FIG. 1;  
FIG. 3 is a rear view of the AV player of FIG. 1;  
FIG. 4 is a left-side view of the AV player of FIG. 1;  
FIG. 5 is a right-side view of the AV player of FIG. 1;  
FIG. 6 is a top plan view of the AV player of FIG. 1;  
FIG. 7 is a bottom plan view of the AV player of FIG. 1; and,  
FIG. 8 is a front perspective view of the AV player, showing an example environment.  
Features shown in broken lines in FIG. 8, form no part of the claimed design.

**1 Claim, 6 Drawing Sheets**

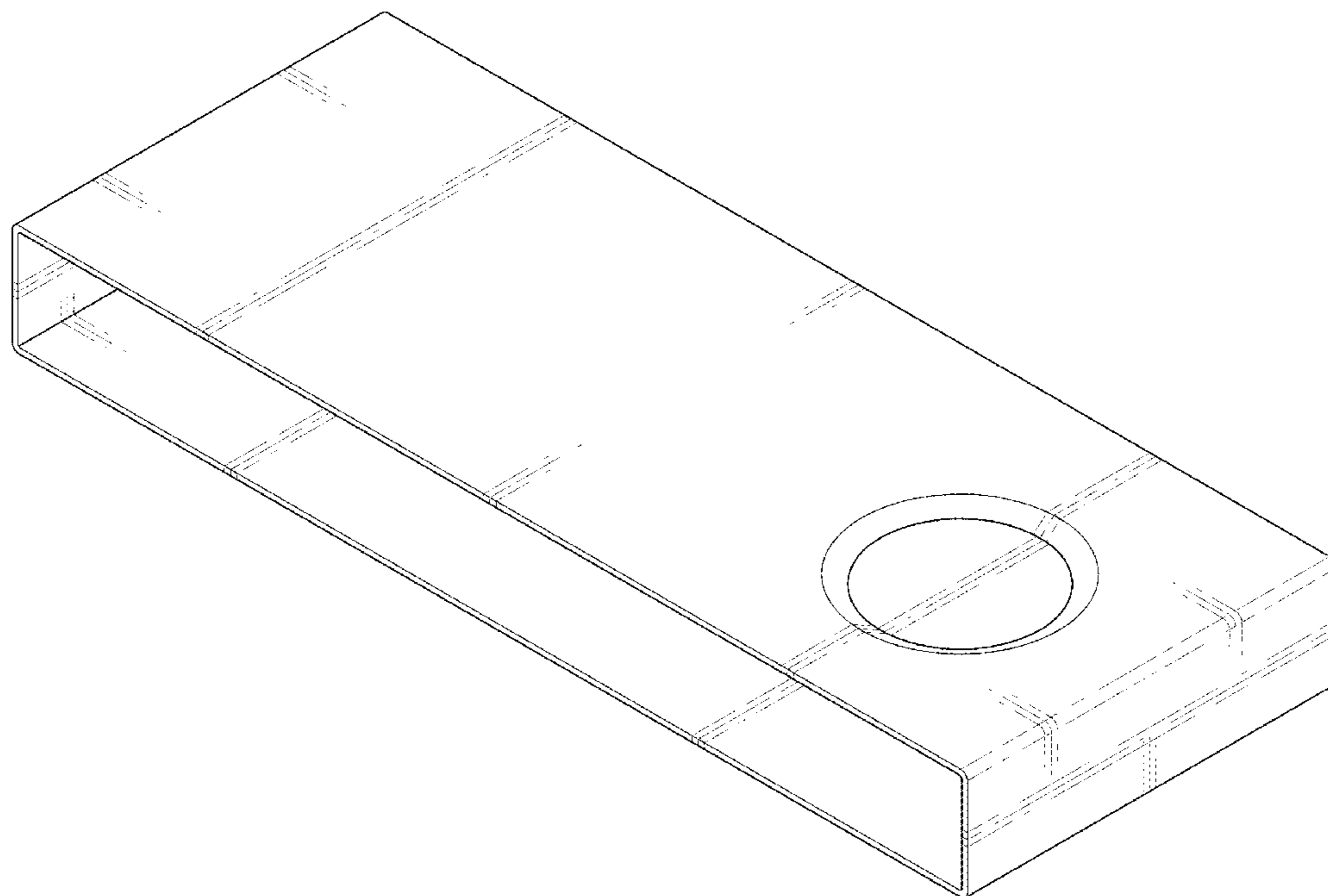


FIG. 1

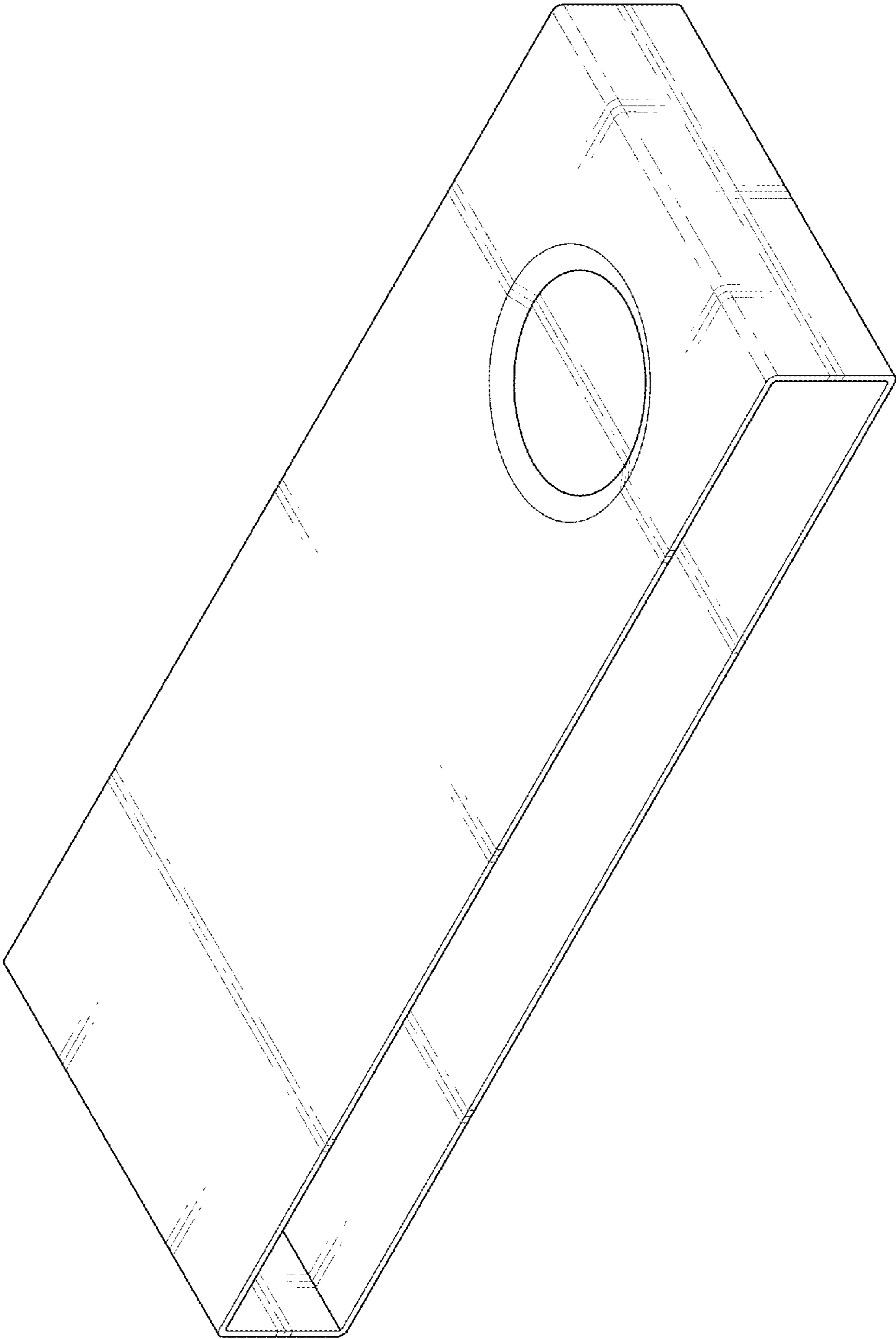


FIG. 2

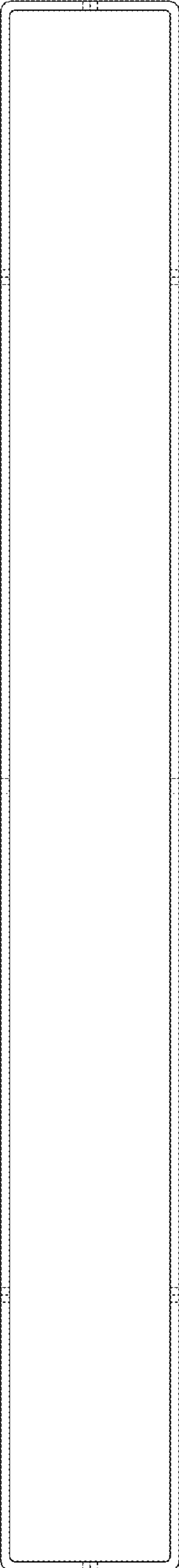


FIG. 3

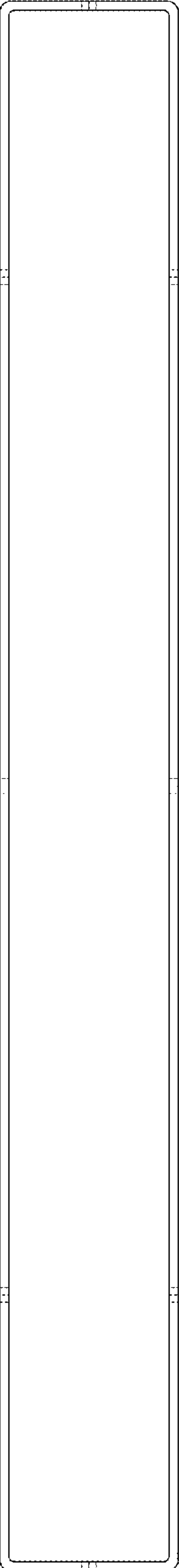


FIG. 4

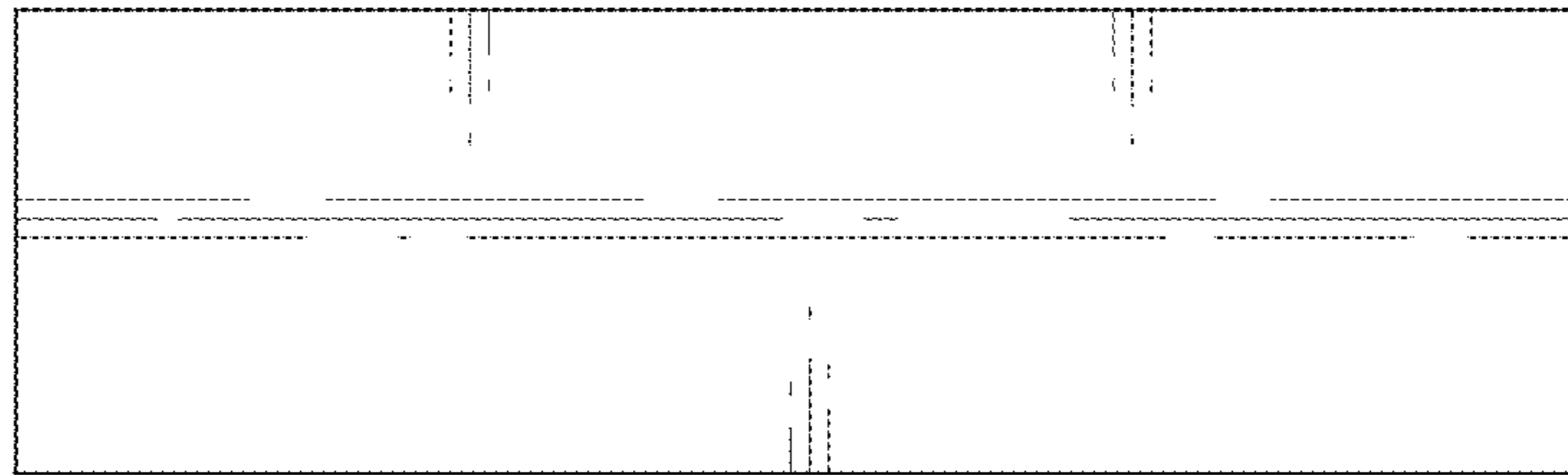


FIG. 5

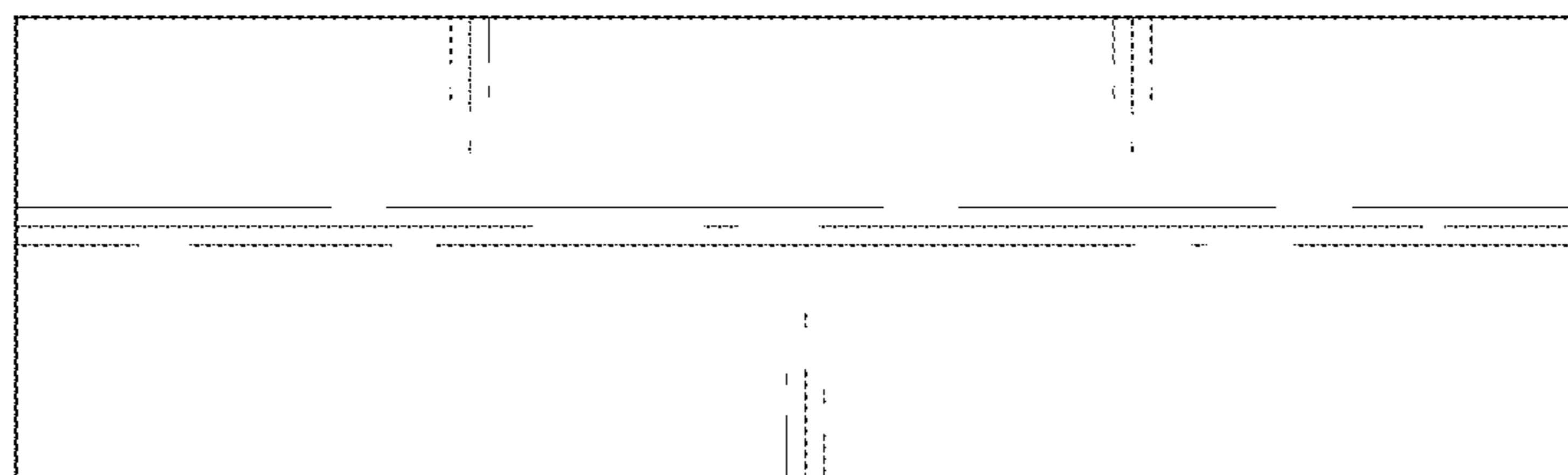


FIG. 6

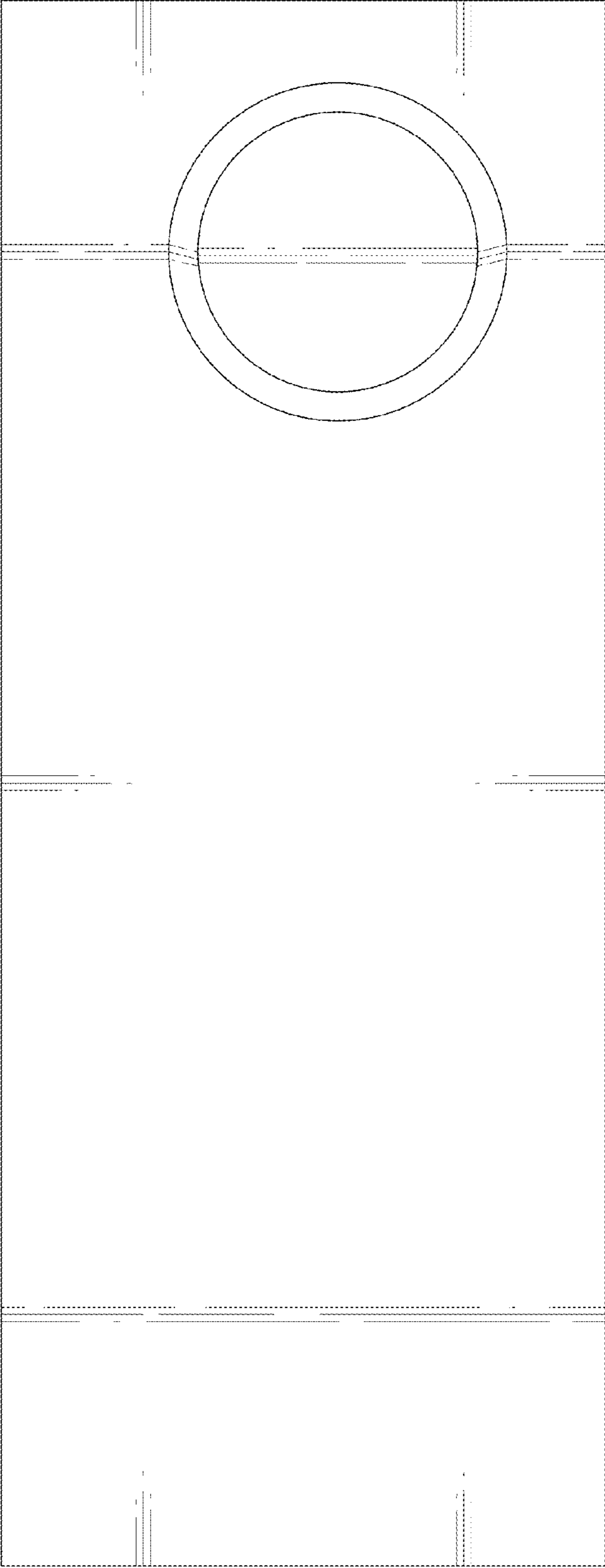


FIG. 7

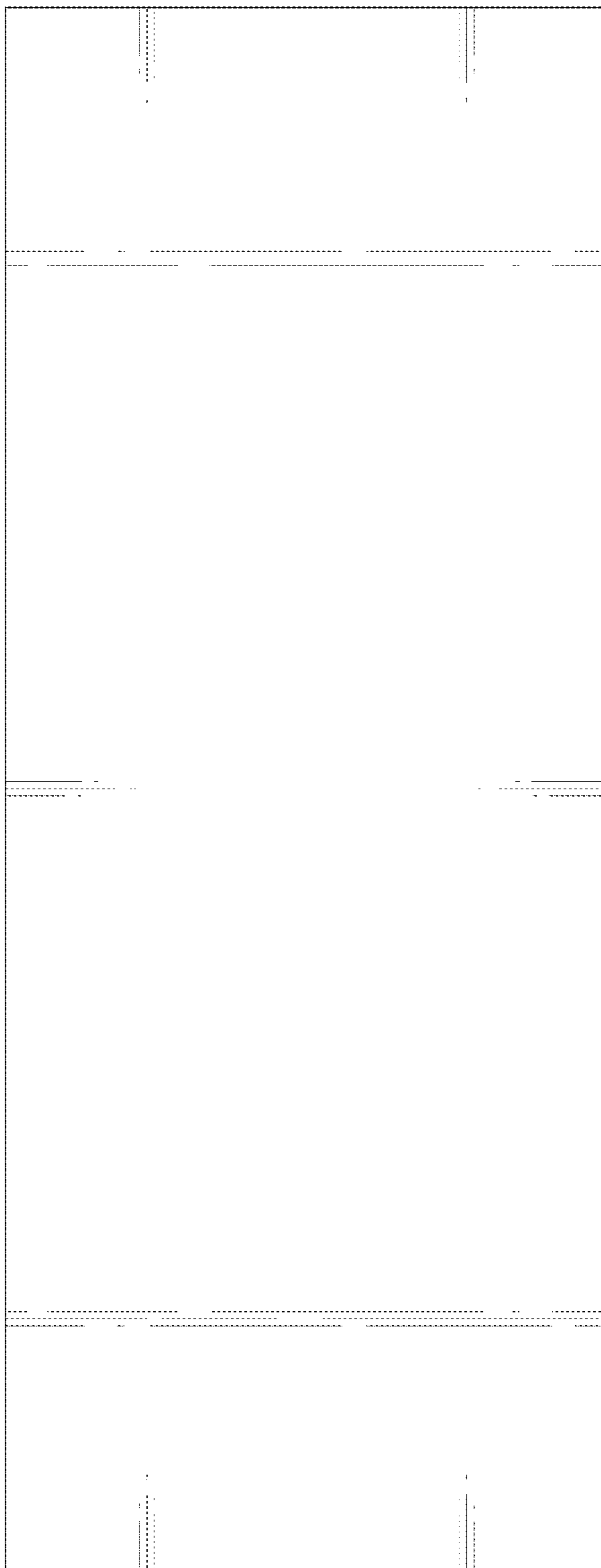


FIG. 8

