



US00D701180S

(12) **United States Design Patent**
Park et al.

(10) **Patent No.:** **US D701,180 S**
(45) **Date of Patent:** **** Mar. 18, 2014**

(54) **RADIATOR FOR AN ELECTRONIC DEVICE**

(71) Applicant: **Zalman Tech Co., Ltd.**, Seoul (KR)

(72) Inventors: **Sang Il Park**, Seoul (KR); **Do Hyun Kim**, Seoul (KR)

(73) Assignee: **Zalman Tech Co., Ltd.**, Seoul (KR)

(**) Term: **14 Years**

(21) Appl. No.: **29/451,983**

(22) Filed: **Apr. 10, 2013**

(30) **Foreign Application Priority Data**

Oct. 10, 2012 (KR) 30-2012-0048205

(51) **LOC (10) Cl.** **13-03**

(52) **U.S. Cl.**
USPC **D13/179**

(58) **Field of Classification Search**
USPC D13/179; 165/80.3, 104.26, 104.33,
165/122, 151, 185; 257/706, 707, 718-722;
361/695, 697, 700, 702, 704, 709, 710,
361/711, 719
See application file for complete search history.

(56) **References Cited**

U.S. PATENT DOCUMENTS

5,784,257	A *	7/1998	Tata	361/704
D492,265	S *	6/2004	Chu	D13/179
6,829,146	B2 *	12/2004	Franz et al.	361/704
6,924,979	B2 *	8/2005	Clements et al.	361/695
D510,325	S *	10/2005	Lin et al.	D13/179
6,964,295	B1 *	11/2005	Yu et al.	165/104.33
7,000,687	B2 *	2/2006	Ying et al.	165/104.33
7,249,626	B2 *	7/2007	Hao et al.	165/104.33
7,363,966	B2 *	4/2008	Yu et al.	165/104.33
D581,883	S *	12/2008	Lin	D13/179
D604,705	S *	11/2009	Wu et al.	D13/179

2005/0103479	A1 *	5/2005	Richardson	165/109.1
2005/0150637	A1 *	7/2005	Tan et al.	165/104.33
2007/0023175	A1 *	2/2007	Richter	165/167
2007/0103871	A1 *	5/2007	Huang	361/704
2008/0173426	A1 *	7/2008	Yan	165/80.3
2008/0295993	A1 *	12/2008	Chen et al.	165/80.3
2009/0314465	A1 *	12/2009	Zheng et al.	165/80.3
2010/0096103	A1 *	4/2010	Toda et al.	165/47
2010/0172106	A1 *	7/2010	Liang	361/719
2013/0058107	A1 *	3/2013	Grimm	362/373

* cited by examiner

Primary Examiner — Selina Sikder

(74) *Attorney, Agent, or Firm* — Abelman, Frayne & Schwab

(57) **CLAIM**

The ornamental design for a radiator for an electronic device, as shown and described herein.

DESCRIPTION

FIG. 1 is a top, front, and right side perspective view of a radiator for an electronic device, according to the present invention;

FIG. 2 is a front view of the a radiator for an electronic device of FIG. 1;

FIG. 3 is a rear view of the a radiator for an electronic device of FIG. 1;

FIG. 4 is a left side view of the a radiator for an electronic device of FIG. 1;

FIG. 5 is a right side view of the a radiator for an electronic device of

FIG. 1; and,

FIG. 6 is a top view of the a radiator for an electronic device of FIG. 1.

The bottom of the a radiator for an electronic device is flat and unornamented.

The portions of the disclosure that are shown in broken lines form no part of the claimed design.

1 Claim, 6 Drawing Sheets

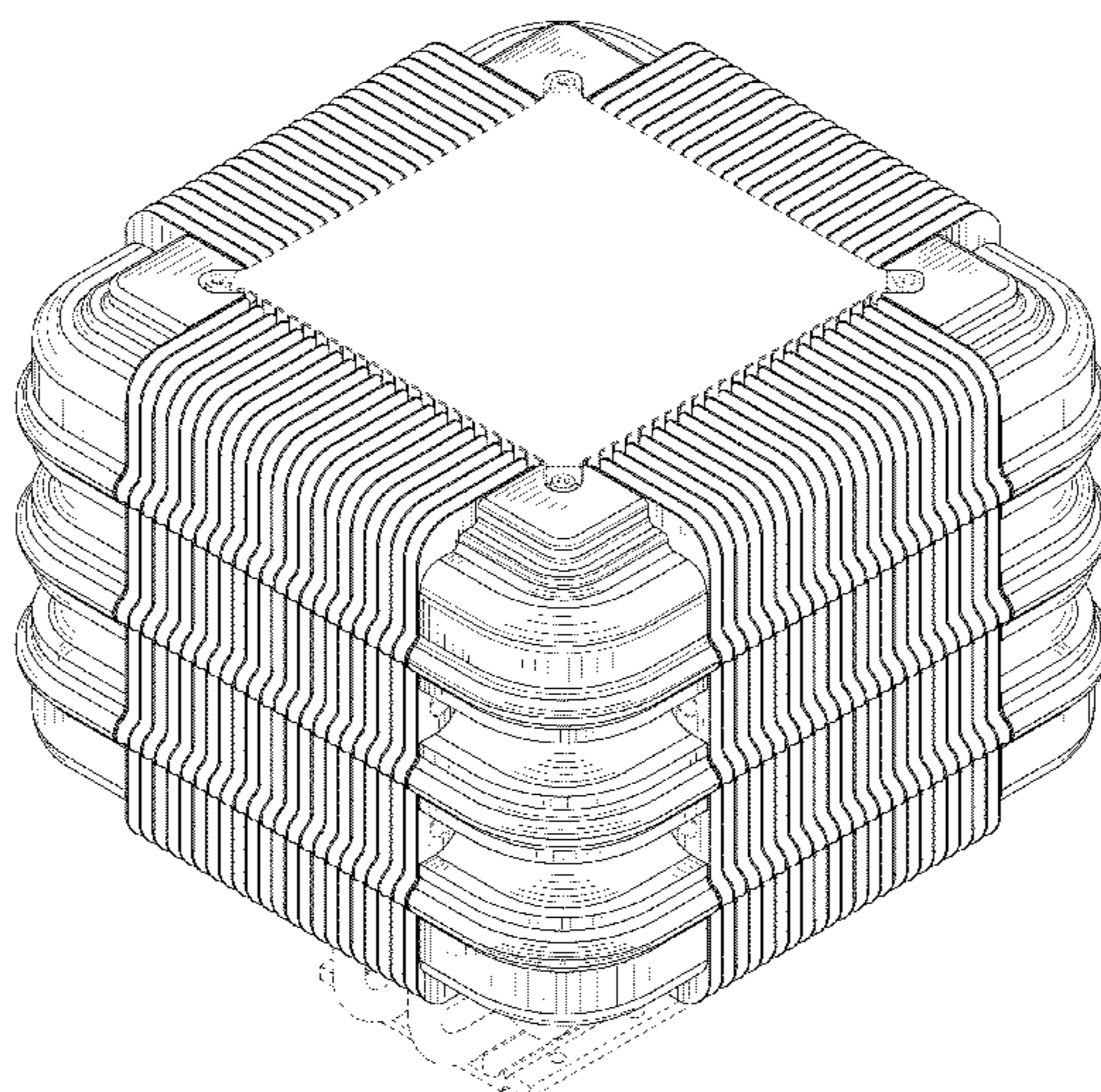


Figure 1

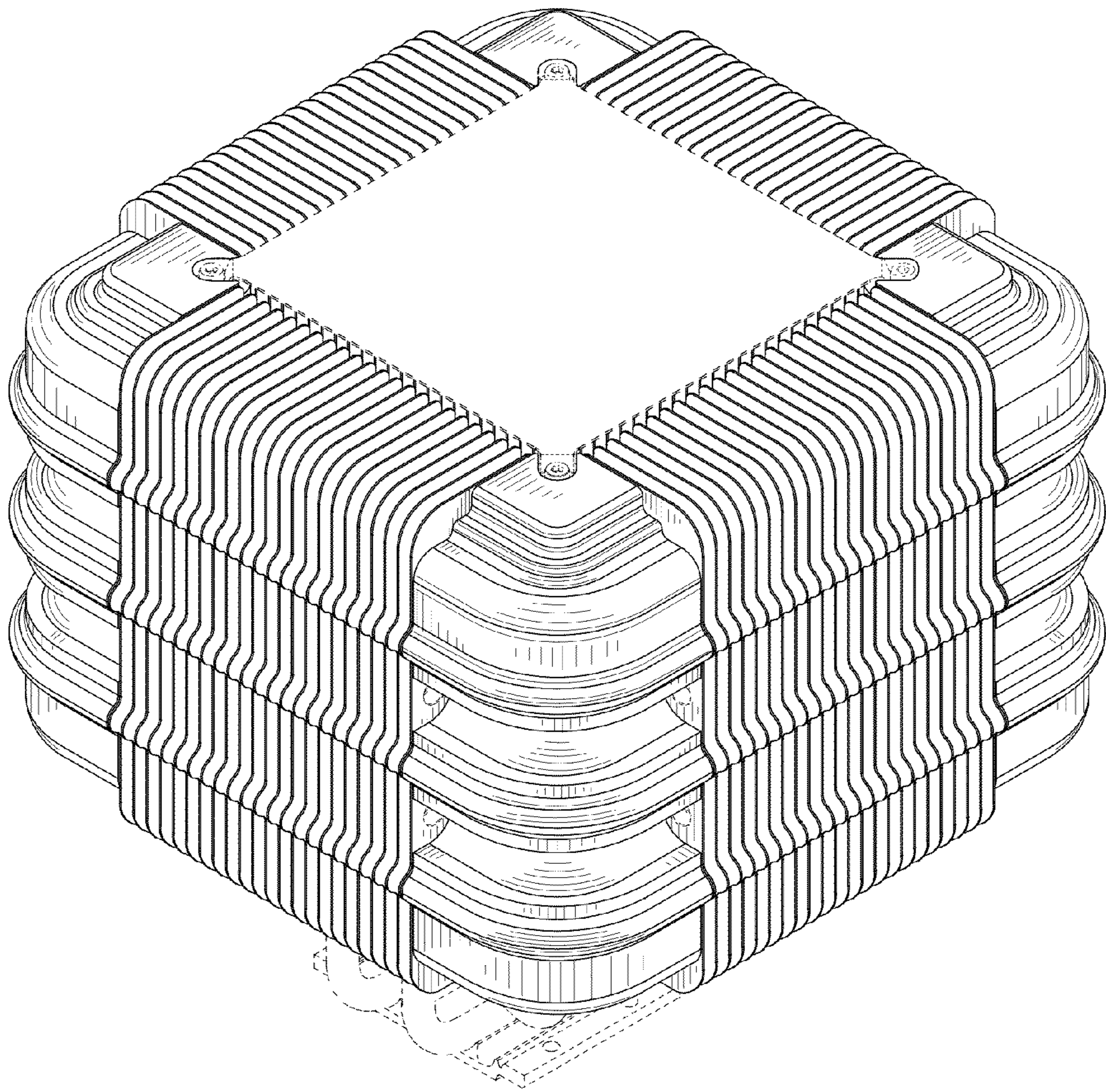


Figure 2

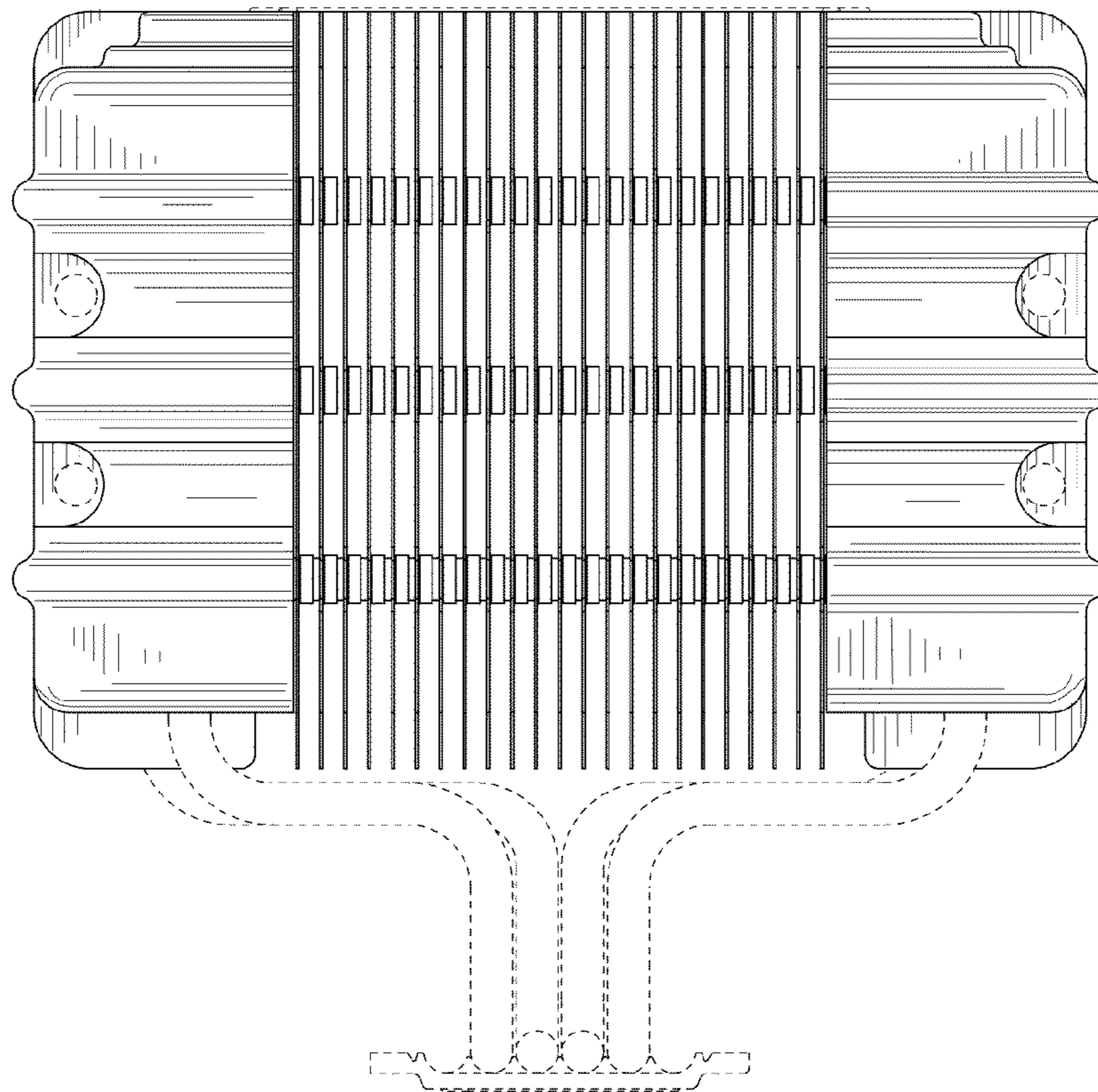


Figure 3

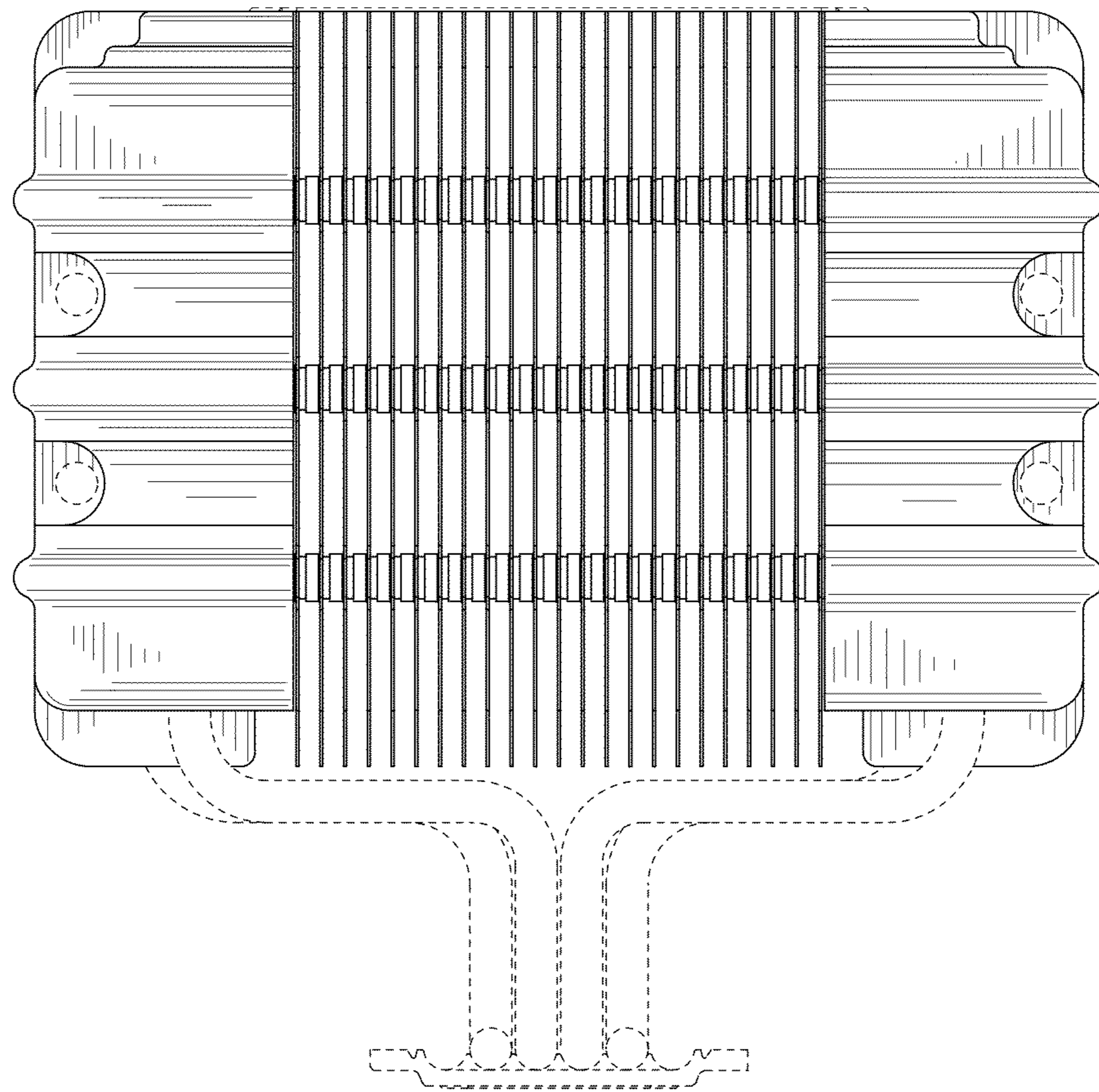


Figure 4

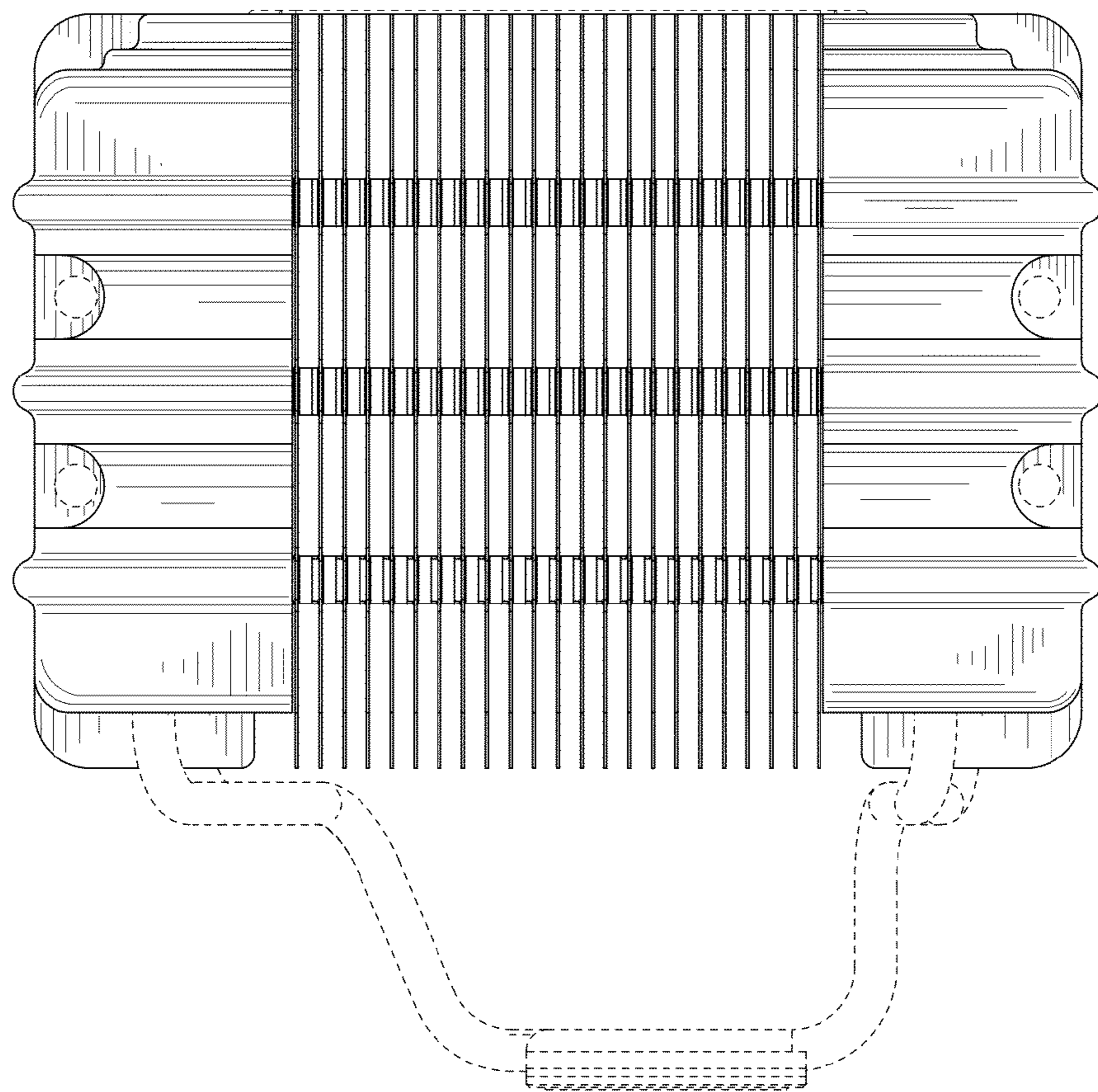


Figure 5

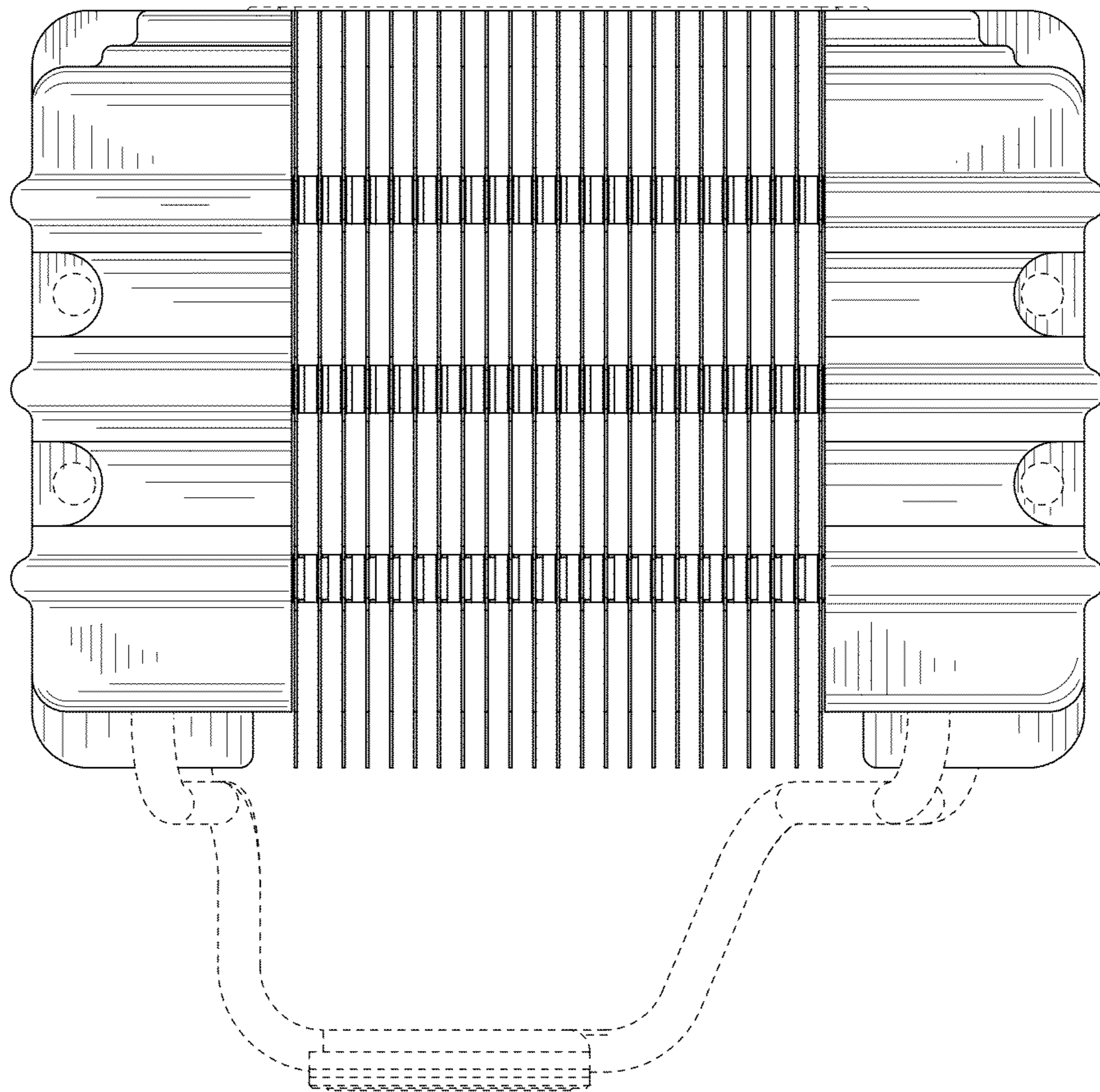


Figure 6

