



US00D701178S

(12) **United States Design Patent**
Wisniewski et al.

(10) **Patent No.:** **US D701,178 S**
(45) **Date of Patent:** **** Mar. 18, 2014**

- (54) **WALL MOUNTED BUTTON PANEL**
- (71) Applicant: **Crestron Electronics, Inc.**, Rockleigh, NJ (US)
- (72) Inventors: **Stanley Wisniewski**, Pompton Plains, NJ (US); **Doug Jacobson**, Oradell, NJ (US)
- (73) Assignee: **Crestron Electronics Inc.**, Rockleigh, NJ (US)
- (**) Term: **14 Years**
- (21) Appl. No.: **29/460,483**
- (22) Filed: **Jul. 11, 2013**

- D319,429 S 8/1991 D'Aleo et al.
- D327,255 S 6/1992 D'Aleo et al.
- D336,744 S 6/1993 Kahn et al.
- D344,264 S 2/1994 D'Aleo et al.
- D353,798 S 12/1994 Bryde et al.

(Continued)

OTHER PUBLICATIONS

Crestron Electronics, Inc., Cameo Keypads Operations and Installation Guide, Feb. 2006, pp. front, cover, i, 1-8, rear cover.

(Continued)

Primary Examiner — Selina Sikder

(74) *Attorney, Agent, or Firm* — Crestron Electronics Inc.

(57) **CLAIM**

The ornamental design for a wall mounted button panel, as shown and described.

Related U.S. Application Data

- (62) Division of application No. 29/394,307, filed on Jun. 15, 2011, now Pat. No. Des. 686,168.
- (51) **LOC (10) Cl.** **13-03**
- (52) **U.S. Cl.**
USPC **D13/174**
- (58) **Field of Classification Search**
USPC D13/162, 164, 171, 174; 174/66;
307/139, 157; 315/209 R, 224, 246,
315/291, 294, 295; 200/5 R, 5 A, 302.2, 520,
200/530, 293, 296, 308, 310, 314, 329,
200/341; 220/241
See application file for complete search history.

DESCRIPTION

FIG. 1 shows a front elevational view of a first embodiment of a wall mounted button panel, with elements in dashed lines forming no part of the claimed design.

FIG. 2 shows an isometric projection of the wall mounted button panel of FIG. 1, with elements in dashed lines forming no part of the claimed design.

FIG. 3 shows a left side elevational view of the wall mounted button panel of FIG. 1, with elements in dashed lines forming no part of the claimed design.

FIG. 4 shows a right side elevational view of the wall mounted button panel of FIG. 1, with elements in dashed lines forming no part of the claimed design.

FIG. 5 shows a top plan view of the wall mounted button panel of FIG. 1, with elements in dashed lines forming no part of the claimed design; and,

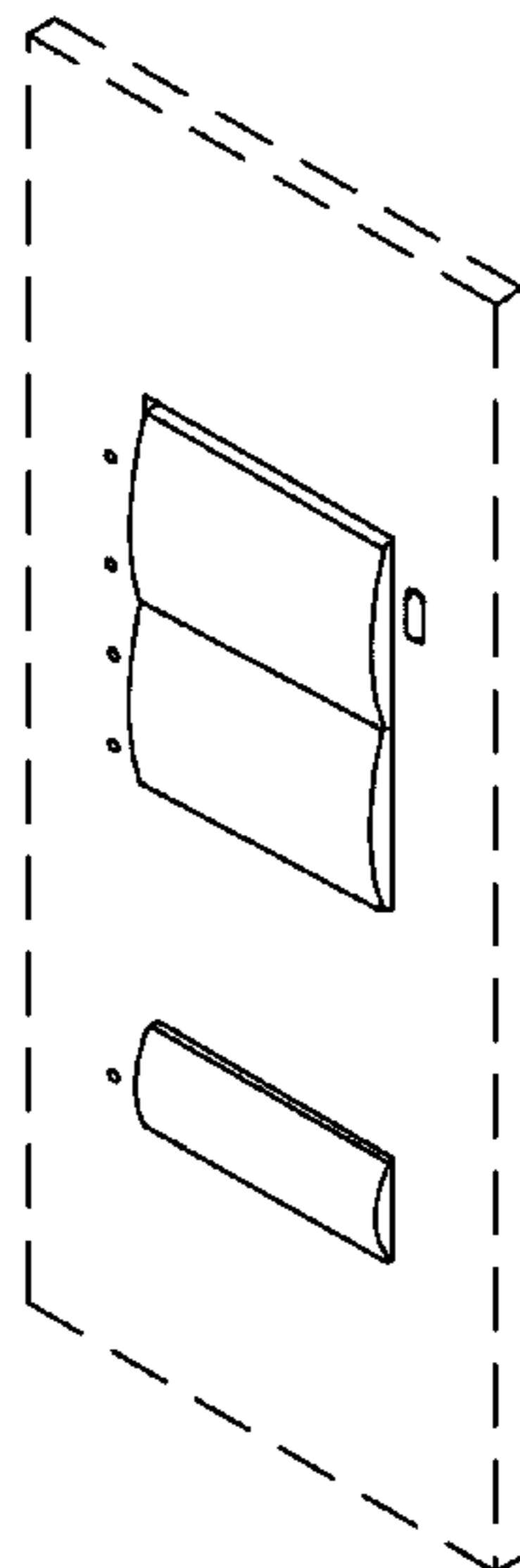
FIG. 6 shows a bottom plan view of the wall mounted button panel of FIG. 1, with elements in dashed lines forming no part of the claimed design.

(56) **References Cited**

U.S. PATENT DOCUMENTS

- D285,066 S 8/1986 Liss et al.
- D287,242 S 12/1986 Liss et al.
- D311,382 S 10/1990 Mayo et al.
- D311,485 S 10/1990 Jacoby et al.
- D311,678 S 10/1990 Graef et al.
- D313,738 S 1/1991 Mayo et al.

1 Claim, 4 Drawing Sheets



(56)

References Cited

U.S. PATENT DOCUMENTS

5,608,196 A 3/1997 Hall et al.
D389,461 S 1/1998 Mayo et al.
D389,805 S 1/1998 Mayo et al.
D395,037 S 6/1998 Mayo et al.
D404,013 S 1/1999 Mayo et al.
D412,315 S 7/1999 Mayo et al.
D421,246 S 2/2000 Mayo et al.
D422,567 S 4/2000 Mayo et al.
D428,855 S 8/2000 Mayo et al.
6,120,262 A 9/2000 McDonough et al.
D436,930 S 1/2001 Butler
D437,585 S 2/2001 Mayo et al.
D437,834 S 2/2001 Mayo et al.
D441,723 S 5/2001 Mayo et al.
D442,558 S 5/2001 Mayo et al.
D450,043 S 11/2001 Mosebrook
D453,742 S 2/2002 Butler et al.
D456,783 S 5/2002 Mayo et al.
D461,782 S 8/2002 Butler et al.
D465,460 S 11/2002 Mayo et al.
D466,090 S 11/2002 Bennett
D466,091 S 11/2002 Bennett
D466,484 S 12/2002 Bennett
6,545,434 B2 4/2003 Sembhi et al.
D475,024 S 5/2003 Bennett
D475,025 S 5/2003 Bennett
D490,061 S 5/2004 Bennett
D510,074 S 9/2005 Larson et al.
D516,041 S 2/2006 Hobart et al.
D535,950 S 1/2007 Alker et al.
D538,238 S 3/2007 Alker et al.
D539,758 S 4/2007 Blair et al.
D542,226 S 5/2007 Spira
D542,227 S 5/2007 Larson et al.
D542,229 S 5/2007 Larson et al.
D546,294 S 7/2007 Mayo et al.
D546,776 S 7/2007 Mierta et al.
D547,733 S 7/2007 Mayo et al.
D547,734 S 7/2007 Mayo et al.
D550,163 S 9/2007 Mayo et al.
D550,164 S 9/2007 Mayo et al.
D550,165 S 9/2007 Mayo et al.
D550,166 S 9/2007 Mayo et al.
D551,177 S 9/2007 Larson et al.
D551,178 S 9/2007 Mayo et al.
D551,179 S 9/2007 Mayo et al.
D551,630 S 9/2007 Larson et al.
D551,631 S 9/2007 Mayo et al.
D552,042 S 10/2007 Mayo et al.
D557,662 S 12/2007 Spira
D557,664 S 12/2007 Hewson et al.
D557,665 S 12/2007 Hewson et al.

D572,664 S 7/2008 Hollner et al.
D572,665 S 7/2008 Hollner et al.
D572,666 S 7/2008 Biery et al.
D573,546 S 7/2008 Hollner
D573,956 S 7/2008 Hollner et al.
D574,787 S 8/2008 Hollner
D576,958 S 9/2008 Hollner
D580,881 S 11/2008 Hollner
D580,882 S 11/2008 Hollner
D580,883 S 11/2008 Hollner
D580,884 S 11/2008 Hollner
D585,840 S 2/2009 Hollner
D585,841 S 2/2009 Hollner
D586,760 S 2/2009 Hollner et al.
D588,070 S 3/2009 Hollner et al.
D588,071 S 3/2009 Hollner et al.
D588,072 S 3/2009 Hollner et al.
D588,073 S 3/2009 Hollner
D588,074 S 3/2009 Hollner
D588,075 S 3/2009 Hollner
D588,553 S 3/2009 Hollner et al.
D595,663 S 7/2009 Hollner
D595,665 S 7/2009 Hollner
D595,666 S 7/2009 Hollner
D596,140 S 7/2009 Hollner
D604,743 S 11/2009 Altonen et al.
D612,400 S 3/2010 Altonen et al.
D613,305 S 4/2010 Altonen et al.
7,796,057 B2 9/2010 Swatsky et al.
D624,881 S 10/2010 Altonen et al.
D624,882 S 10/2010 Altonen et al.
D625,273 S 10/2010 Felegy et al.
D633,448 S 3/2011 Biery et al.
D678,222 S * 3/2013 Wisniewski et al. D13/174
D678,223 S * 3/2013 Wisniewski et al. D13/174
D678,850 S * 3/2013 Wisniewski et al. D13/174
D678,851 S * 3/2013 Wisniewski et al. D13/174
D686,166 S * 7/2013 Wisniewski et al. D13/174
D686,167 S * 7/2013 Wisniewski et al. D13/174
D686,168 S * 7/2013 Wisniewski et al. D13/174
D686,169 S * 7/2013 Wisniewski et al. D13/174
D686,170 S * 7/2013 Wisniewski et al. D13/174
D686,171 S * 7/2013 Wisniewski et al. D13/174
D686,172 S * 7/2013 Wisniewski et al. D13/174
2002/0060530 A1 5/2002 Sembhi et al.
2005/0284738 A1 12/2005 Altonen et al.
2008/0237010 A1 10/2008 Patel et al.
2010/0214756 A1 8/2010 Feldstein

OTHER PUBLICATIONS

Exhibit A—*Lutron Electronics v. Crestron Electronics* CV 2:09-cv-07, Third Amended Complaint.

* cited by examiner

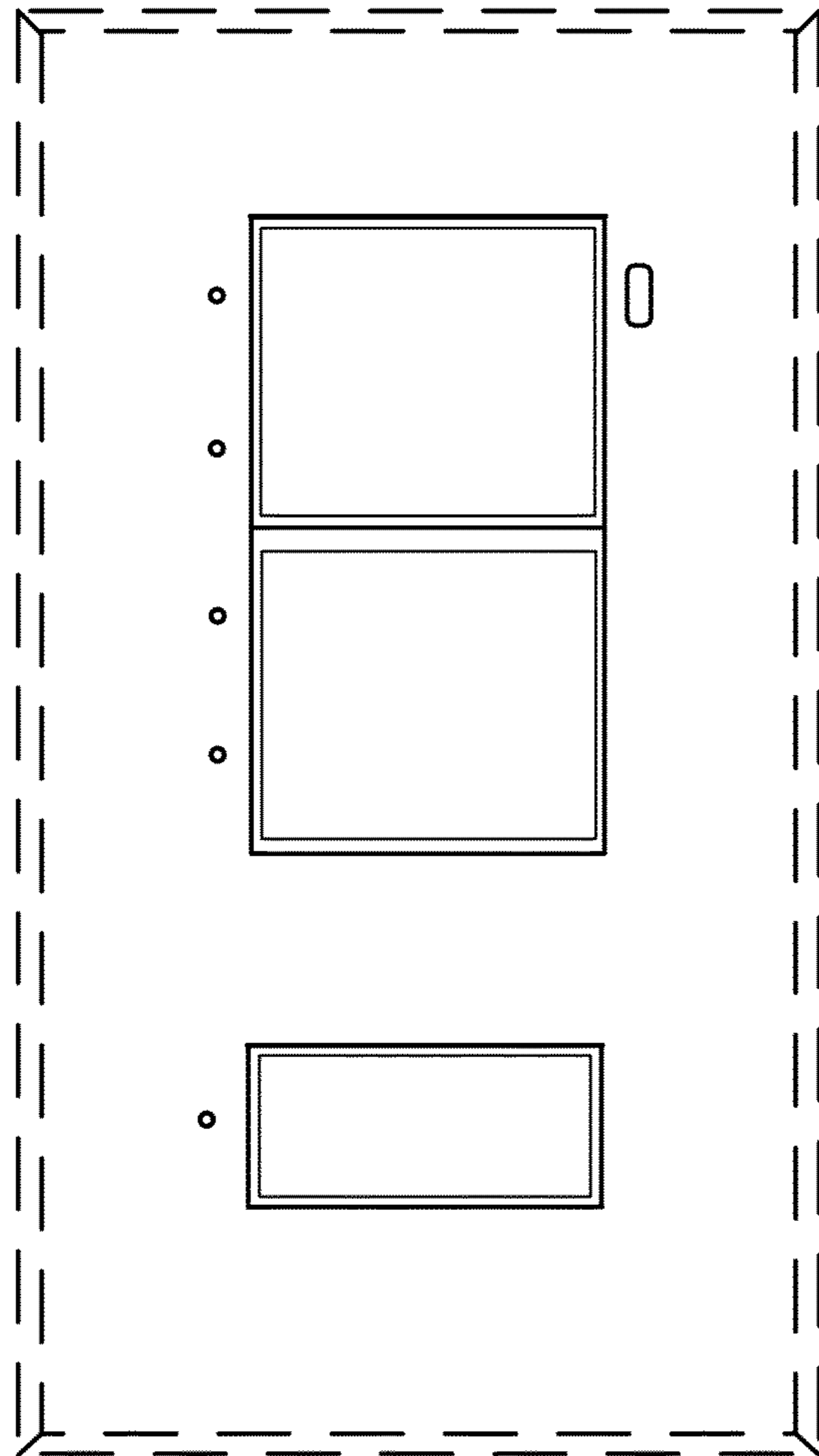


FIG. 1

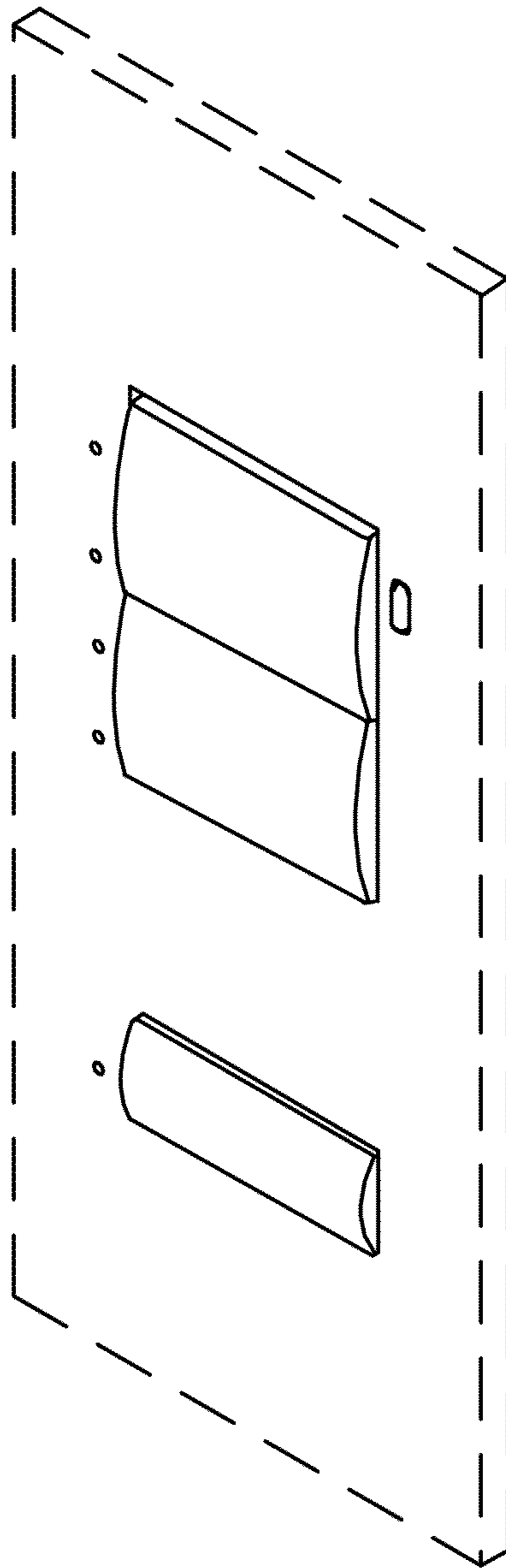


FIG. 2

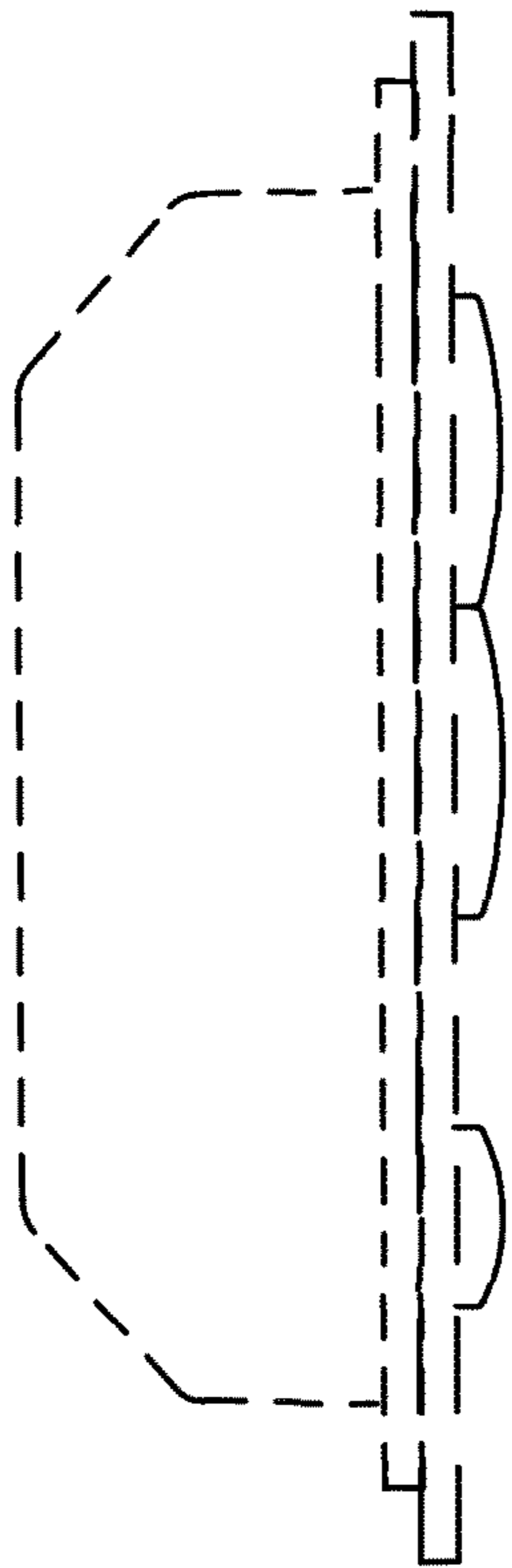


FIG. 3

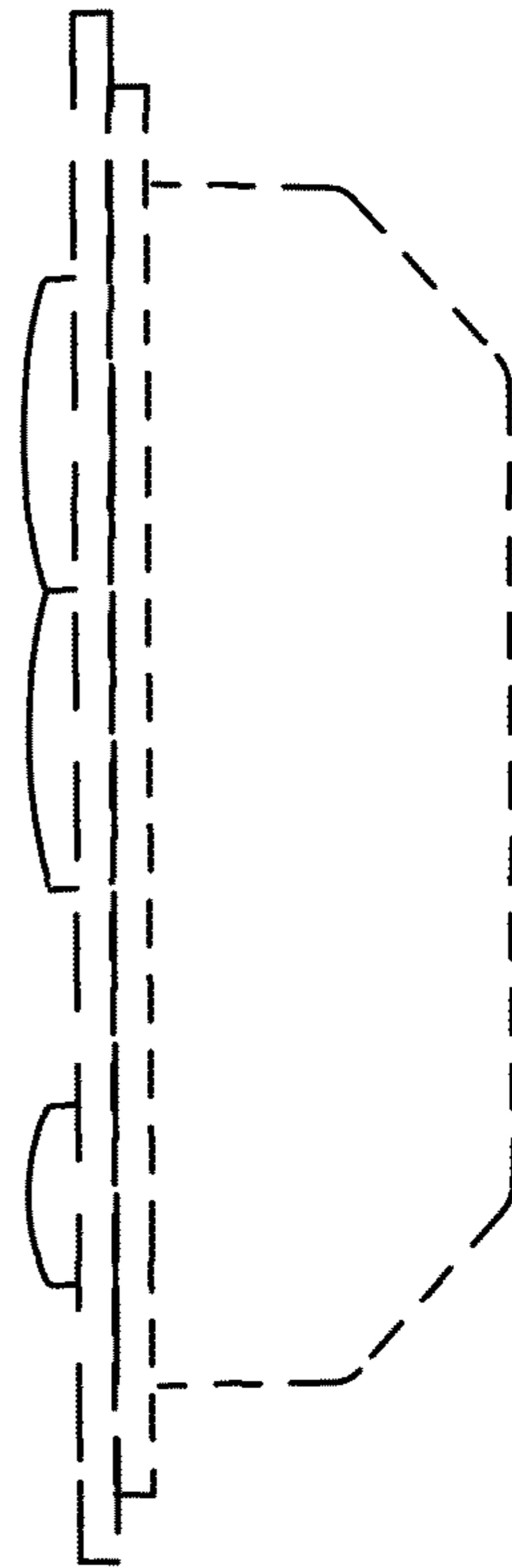


FIG. 4

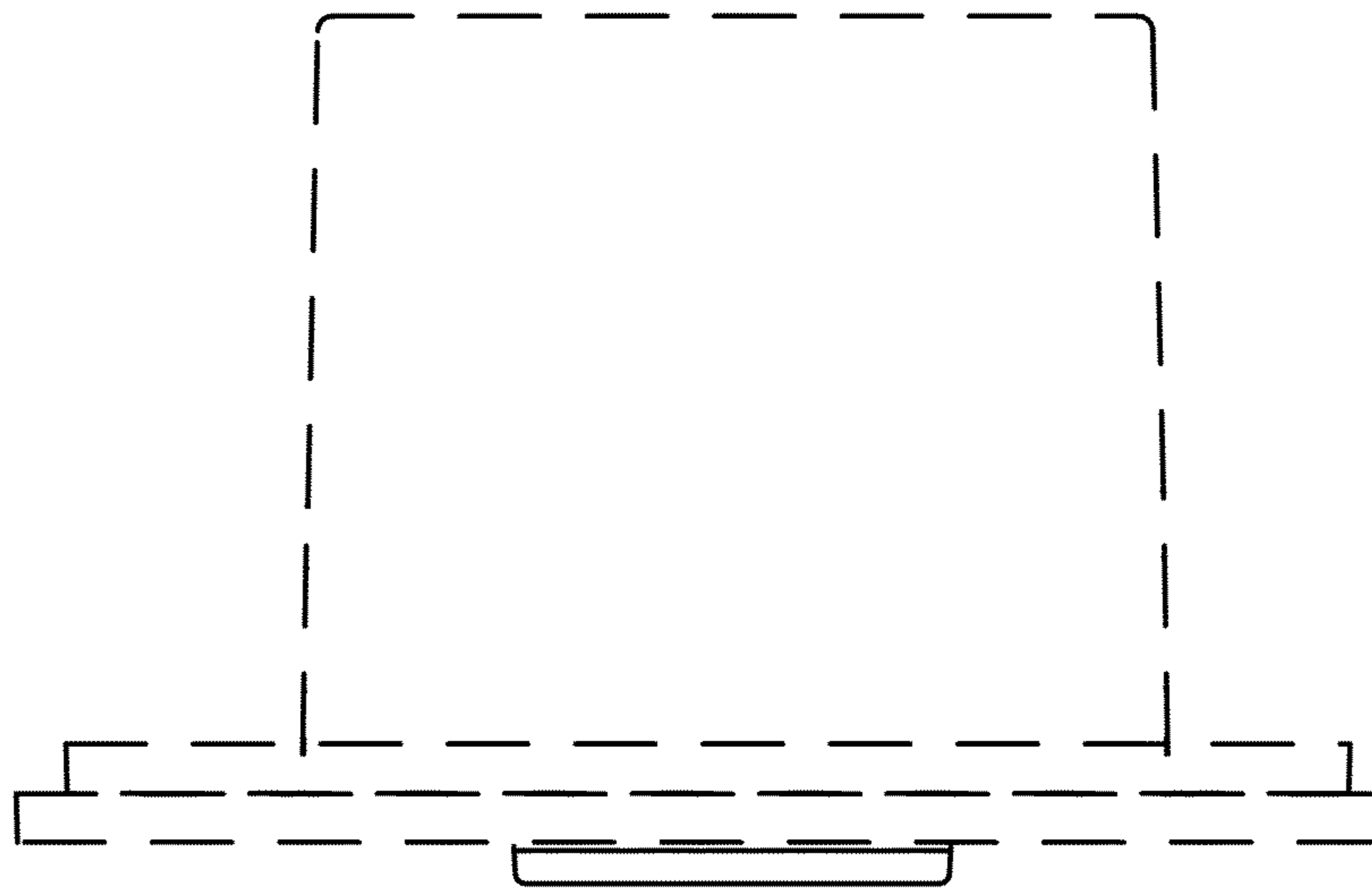


FIG. 5

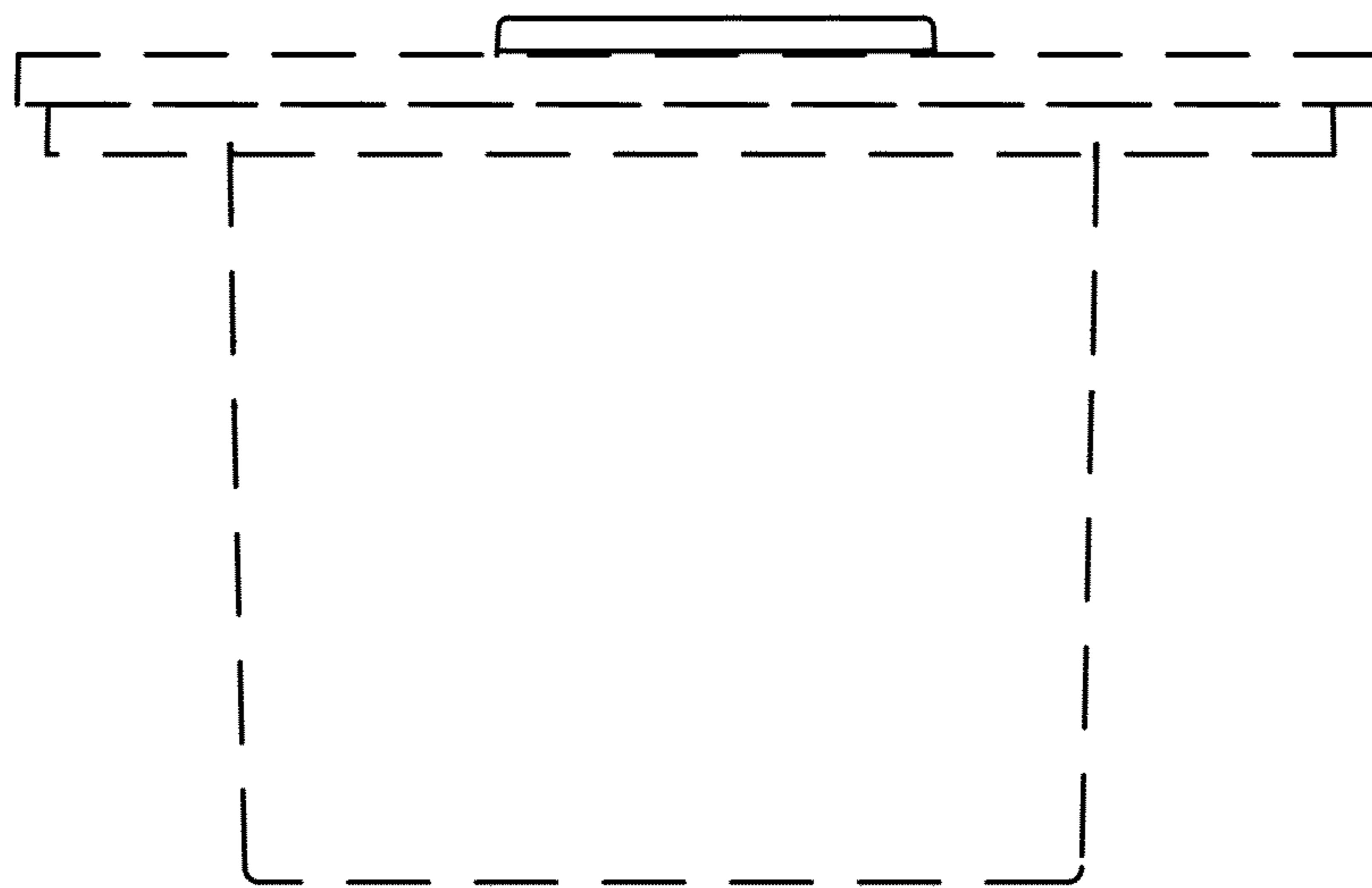


FIG. 6