



US00D701177S

(12) **United States Design Patent**  
**Wisniewski et al.**

(10) **Patent No.:** **US D701,177 S**  
(45) **Date of Patent:** **\*\* Mar. 18, 2014**

(54) **WALL MOUNTED BUTTON PANEL**

(71) Applicants: **Stanley Wisniewski**, Pompton Plains, NJ (US); **Doug Jacobson**, Oradell, NJ (US)

(72) Inventors: **Stanley Wisniewski**, Pompton Plains, NJ (US); **Doug Jacobson**, Oradell, NJ (US)

(73) Assignee: **Crestron Electronics Inc.**, Rockleigh, NJ (US)

(\*\*) Term: **14 Years**

(21) Appl. No.: **29/444,956**

(22) Filed: **Feb. 6, 2013**

**Related U.S. Application Data**

(62) Division of application No. 29/394,069, filed on Jun. 13, 2011, now Pat. No. Des. 678,850.

(51) **LOC (10) Cl.** ..... **13-03**

(52) **U.S. Cl.**  
USPC ..... **D13/174**

(58) **Field of Classification Search**  
USPC ..... D13/162, 164, 171, 174; 174/66;  
307/139, 157; 315/209 R, 224, 246,  
315/291, 294, 295; 200/5 R, 5 A, 302.2, 520,  
200/530, 293, 296, 308, 310, 314, 329,  
200/341; 220/241

See application file for complete search history.

(56) **References Cited**

**U.S. PATENT DOCUMENTS**

4,529,951 A 7/1985 Youichi  
D285,066 S 8/1986 Liss et al.

(Continued)

**OTHER PUBLICATIONS**

Crestron Electronics, Inc., Cameo Keypads Operations and Installation Guide, Feb. 2006, pp. front, cover, i, 1-8, rear cover.

(Continued)

*Primary Examiner* — Selina Sikder

(74) *Attorney, Agent, or Firm* — Crestron Electronics Inc.

(57) **CLAIM**

The ornamental design for a wall mounted button panel, as shown and described.

**DESCRIPTION**

FIG. 1 shows a front elevational view of an embodiment of a wall mounted button panel, with elements in dashed lines forming no part of the claimed design.

FIG. 2 shows an isometric projection of the wall mounted button panel of FIG. 1, with elements in dashed lines forming no part of the claimed design.

FIG. 3 shows a left side elevational view of the wall mounted button panel of FIG. 1, with elements in dashed lines forming no part of the claimed design.

FIG. 4 shows a right side elevational view of the wall mounted button panel of FIG. 1, with elements in dashed lines forming no part of the claimed design.

FIG. 5 shows a top plan view of the wall mounted button panel of FIG. 1, with elements in dashed lines forming no part of the claimed design.

FIG. 6 shows a bottom plan view of the wall mounted button panel of FIG. 1, with elements in dashed lines forming no part of the claimed design.

FIG. 7 shows a front elevational view of another embodiment of a wall mounted button panel, with elements in dashed lines forming no part of the claimed design.

FIG. 8 shows an isometric projection of the wall mounted button panel of FIG. 7, with elements in dashed lines forming no part of the claimed design.

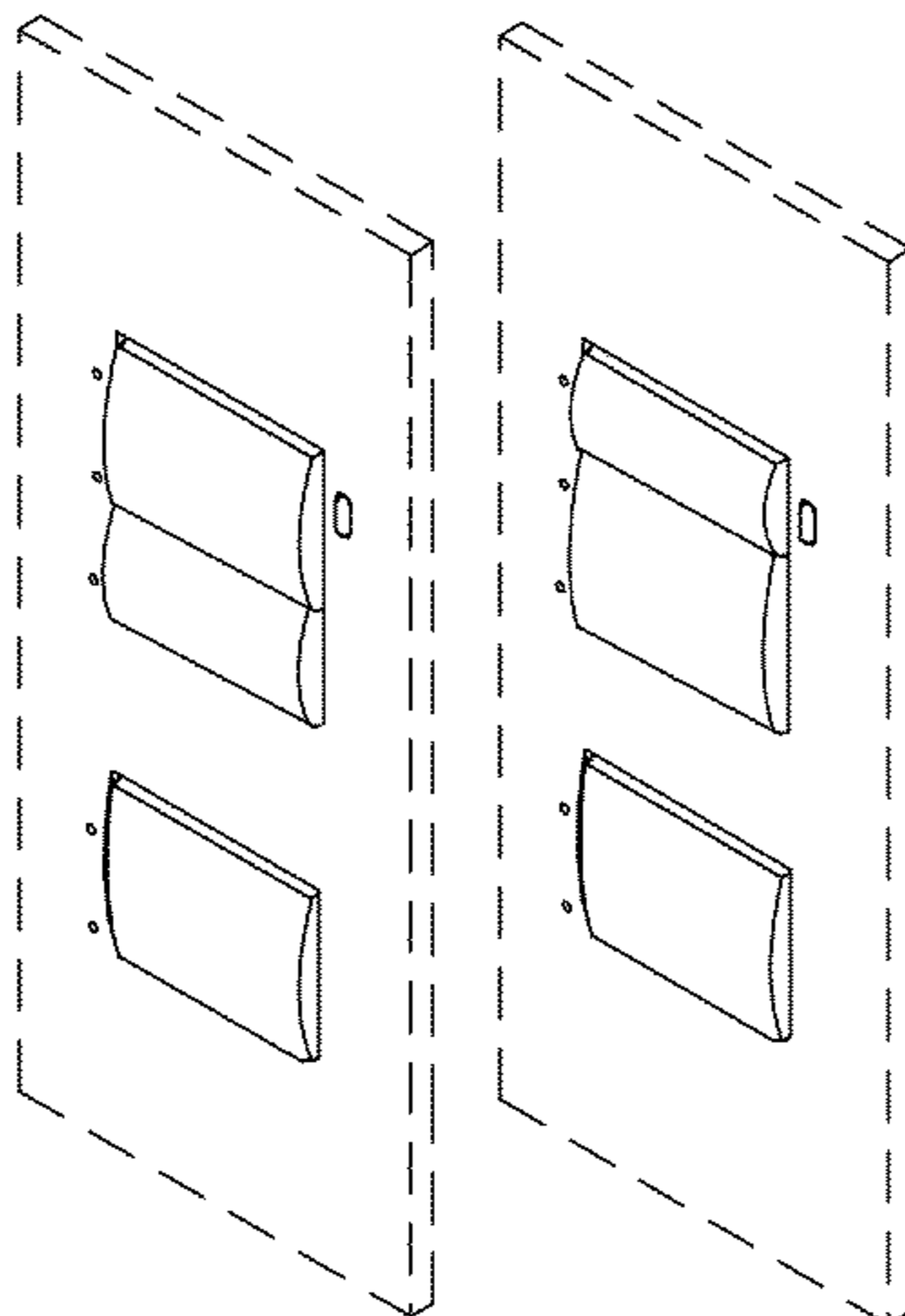
FIG. 9 shows a left side elevational view of the wall mounted button panel of FIG. 7, with elements in dashed lines forming no part of the claimed design.

FIG. 10 shows a right side elevational view of the wall mounted button panel of FIG. 7, with elements in dashed lines forming no part of the claimed design.

FIG. 11 shows a top plan view of the wall mounted button panel of FIG. 7, with elements in dashed lines forming no part of the claimed design; and,

FIG. 12 shows a bottom plan view of the wall mounted button panel of FIG. 7, with elements in dashed lines forming no part of the claimed design.

**1 Claim, 8 Drawing Sheets**



(56)

## References Cited

## U.S. PATENT DOCUMENTS

D287,242 S	12/1986	Liss et al.	D552,042 S	10/2007	Mayo et al.
4,716,357 A	12/1987	Cooper	D557,662 S	12/2007	Spira et al.
4,728,866 A	3/1988	Capewell	D557,664 S	12/2007	Hewson et al.
4,876,498 A	10/1989	Luchaco	D557,665 S	12/2007	Hewson et al.
4,888,494 A	12/1989	McNair et al.	D572,664 S	7/2008	Hollner et al.
4,954,768 A	9/1990	Luchaco et al.	D572,665 S	7/2008	Hollner et al.
D311,382 S	10/1990	Mayo et al.	D572,666 S	7/2008	Biery et al.
D311,485 S	10/1990	Jacoby et al.	D573,546 S	7/2008	Hollner
D311,678 S	10/1990	Graef et al.	D573,956 S	7/2008	Hollner et al.
D313,738 S	1/1991	Mayo et al.	D574,787 S	8/2008	Hollner
D319,429 S	8/1991	D'Aleo et al.	D576,958 S	9/2008	Hollner
D327,255 S	6/1992	D'Aleo et al.	D580,881 S	11/2008	Hollner
D336,744 S	6/1993	Kahn et al.	D580,882 S	11/2008	Hollner
5,260,669 A	11/1993	Higgins et al.	D580,883 S	11/2008	Hollner
D344,264 S	2/1994	D'Aleo et al.	D580,884 S	11/2008	Hollner
5,289,043 A	2/1994	Marshall et al.	D585,840 S	2/2009	Hollner
5,293,308 A	3/1994	Boys et al.	D585,841 S	2/2009	Hollner
D353,798 S	12/1994	Bryde et al.	D586,760 S	2/2009	Hollner et al.
5,399,926 A	3/1995	Adams et al.	D588,070 S	3/2009	Hollner et al.
5,430,356 A	7/1995	Ference	D588,071 S	3/2009	Hollner et al.
5,463,286 A	10/1995	D'Aleo et al.	D588,072 S	3/2009	Hollner et al.
5,608,196 A	3/1997	Hall et al.	D588,073 S	3/2009	Hollner
5,670,858 A	9/1997	Heath	D588,074 S	3/2009	Hollner
D389,461 S	1/1998	Mayo et al.	D588,075 S	3/2009	Hollner
D389,805 S	1/1998	Mayo et al.	D588,553 S	3/2009	Hollner et al.
D395,037 S	6/1998	Mayo et al.	D595,663 S	7/2009	Hollner
D404,013 S	1/1999	Mayo et al.	D595,665 S	7/2009	Hollner
5,903,139 A	5/1999	Kompelien	D595,666 S	7/2009	Hollner
D412,315 S	7/1999	Mayo et al.	D596,140 S	7/2009	Hollner
D421,246 S	2/2000	Mayo et al.	7,609,007 B1	10/2009	Kumar
D422,567 S	4/2000	Mayo et al.	D604,743 S	11/2009	Altonen et al.
6,091,205 A	7/2000	Newman, Jr. et al.	D612,400 S	3/2010	Altonen et al.
D428,855 S	8/2000	Mayo et al.	D613,305 S	4/2010	Altonen et al.
6,120,262 A	9/2000	McDonough et al.	7,714,790 B1	5/2010	Feldstein
D436,930 S	1/2001	Butler	7,796,057 B2	9/2010	Swatsky et al.
D437,585 S	2/2001	Mayo et al.	D624,881 S	10/2010	Altonen et al.
D437,834 S	2/2001	Mayo et al.	D624,882 S	10/2010	Altonen et al.
6,218,787 B1	4/2001	Murcko et al.	D625,273 S	10/2010	Felegy et al.
D441,723 S	5/2001	Mayo et al.	D633,448 S	3/2011	Biery et al.
D442,558 S	5/2001	Mayo et al.	D633,874 S	3/2011	Feldstein
D450,043 S	11/2001	Mosebrook	D636,738 S	4/2011	Feldstein
D453,742 S	2/2002	Butler et al.	7,928,663 B1	4/2011	Kumar
6,356,038 B2	3/2002	Bishel	7,928,917 B1	4/2011	Feldstein
D456,783 S	5/2002	Mayo et al.	D651,571 S	1/2012	Feldstein
D461,782 S	8/2002	Butler et al.	D651,572 S	1/2012	Feldstein
D465,460 S	11/2002	Mayo et al.	D651,573 S	1/2012	Feldstein
D466,090 S	11/2002	Bennett	D651,574 S	1/2012	Feldstein
D466,091 S	11/2002	Bennett	D651,575 S	1/2012	Feldstein
D466,484 S	12/2002	Bennett	D651,576 S	1/2012	Feldstein
6,545,434 B2	4/2003	Sembhi et al.	D651,577 S	1/2012	Feldstein
D475,024 S	5/2003	Bennett	D651,578 S	1/2012	Feldstein
D475,025 S	5/2003	Bennett	D651,579 S	1/2012	Feldstein
D490,061 S	5/2004	Bennett	D651,580 S	1/2012	Feldstein
D510,074 S	9/2005	Larson et al.	D651,983 S	1/2012	Feldstein
6,969,959 B2	11/2005	Black et al.	D651,984 S	1/2012	Feldstein
D516,041 S	2/2006	Hobart et al.	D651,985 S	1/2012	Feldstein
D535,950 S	1/2007	Alker et al.	D651,986 S	1/2012	Feldstein
D538,238 S	3/2007	Alker et al.	D652,805 S	1/2012	Feldstein
D539,758 S	4/2007	Blair et al.	D652,806 S	1/2012	Feldstein
D542,226 S	5/2007	Spira	D653,220 S	1/2012	Feldstein
D542,227 S	5/2007	Larson et al.	8,089,414 B2	1/2012	Feldstein
D542,229 S	5/2007	Larson et al.	8,102,375 B1	1/2012	Feldstein
D546,294 S	7/2007	Mayo et al.	D657,319 S	4/2012	Feldstein
D546,776 S	7/2007	Mierta et al.	8,149,591 B2	4/2012	Feldstein
D547,733 S	7/2007	Mayo et al.	D678,222 S *	3/2013	Wisniewski et al. .... D13/174
D547,734 S	7/2007	Mayo et al.	D678,223 S *	3/2013	Wisniewski et al. .... D13/174
D550,163 S	9/2007	Mayo et al.	D678,850 S *	3/2013	Wisniewski et al. .... D13/174
D550,164 S	9/2007	Mayo et al.	D678,851 S *	3/2013	Wisniewski et al. .... D13/174
D550,165 S	9/2007	Mayo et al.	D686,166 S *	7/2013	Wisniewski et al. .... D13/174
D550,166 S	9/2007	Mayo et al.	D686,167 S *	7/2013	Wisniewski et al. .... D13/174
D551,177 S	9/2007	Larson et al.	D686,168 S *	7/2013	Wisniewski et al. .... D13/174
D551,178 S	9/2007	Mayo et al.	D686,169 S *	7/2013	Wisniewski et al. .... D13/174
D551,179 S	9/2007	Mayo et al.	D686,170 S *	7/2013	Wisniewski et al. .... D13/174
D551,630 S	9/2007	Larson et al.	D686,171 S *	7/2013	Wisniewski et al. .... D13/174
D551,631 S	9/2007	Mayo et al.	D686,172 S *	7/2013	Wisniewski et al. .... D13/174
			2002/0060530 A1	5/2002	Sembhi et al.
			2005/0275354 A1	12/2005	Hausman et al.
			2005/0284738 A1	12/2005	Altonen et al.
			2006/0255745 A1	11/2006	DeJonge

(56)

**References Cited**

U.S. PATENT DOCUMENTS

2007/0001654 A1 1/2007 Newman  
2007/0285027 A1 12/2007 Gehman  
2008/0024074 A1 1/2008 Mosebrook  
2008/0111501 A1 5/2008 Dobbins et al.  
2008/0237010 A1 10/2008 Patel et al.  
2009/0039854 A1 2/2009 Blakeley  
2009/0108765 A1 4/2009 Weightman et al.

2010/0214756 A1 8/2010 Feldstein  
2011/0248893 A1 10/2011 Feldstein  
2012/0068894 A1 3/2012 Feldstein  
2012/0160641 A1 6/2012 Wisniewski

OTHER PUBLICATIONS

Exhibit A—*Lutron Electronics v. Crestron Electronics* CV 2:09-cv-07, Third Amended Complaint.

\* cited by examiner

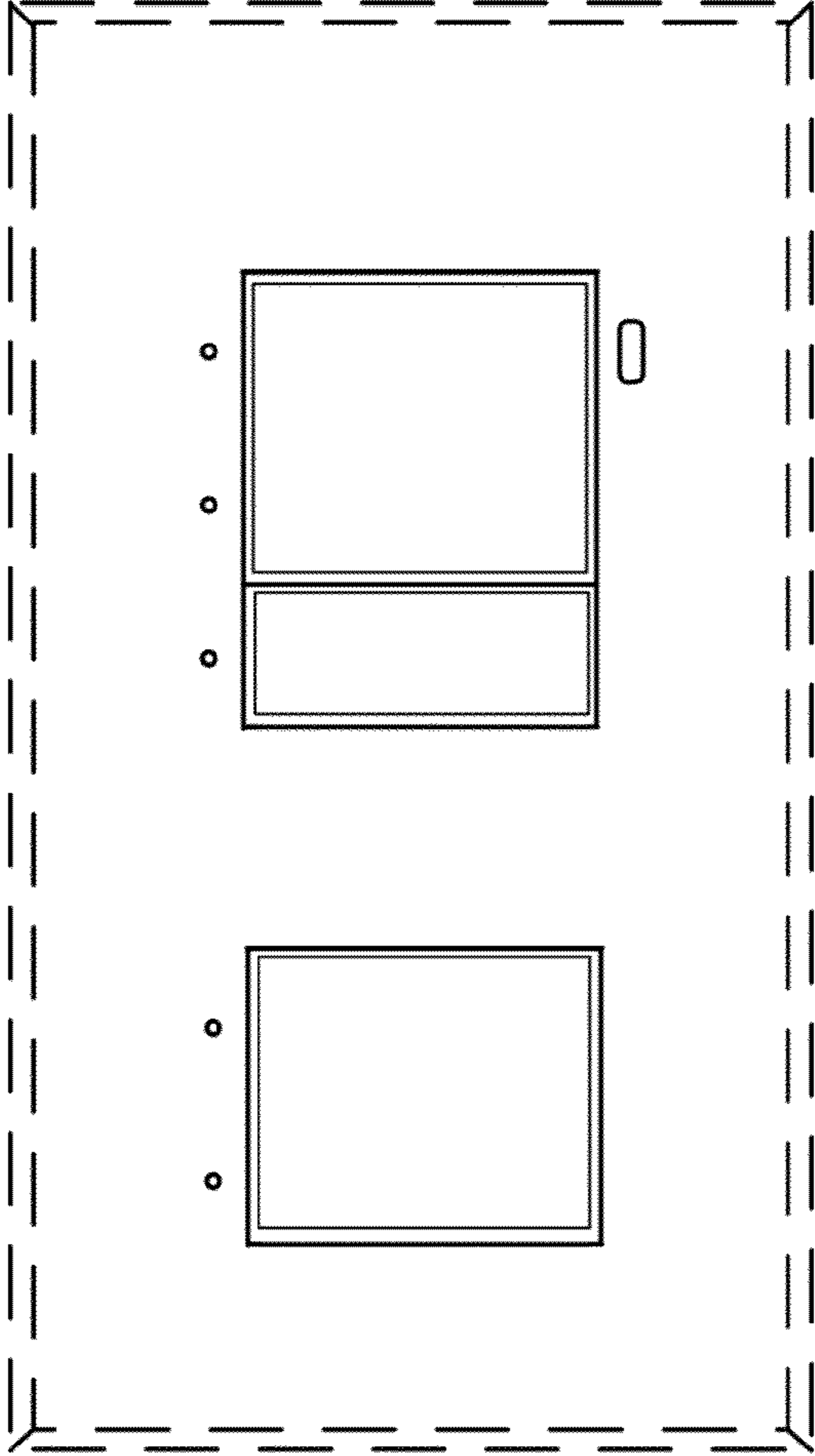


FIG. 1

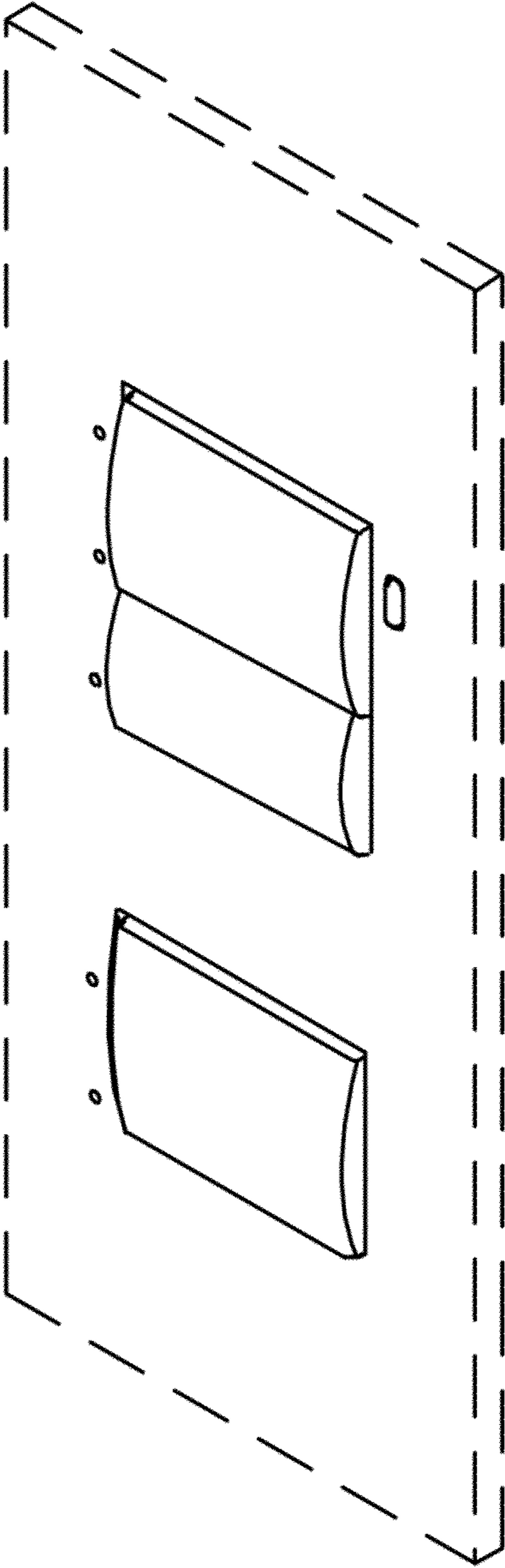


FIG. 2

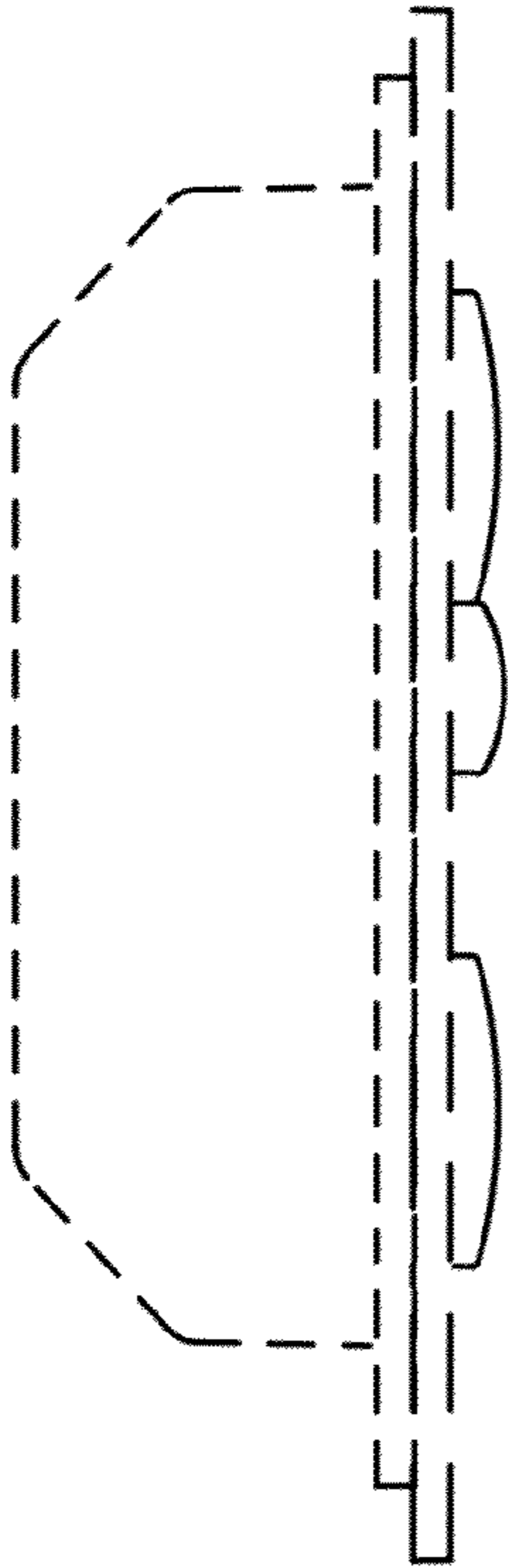


FIG. 3

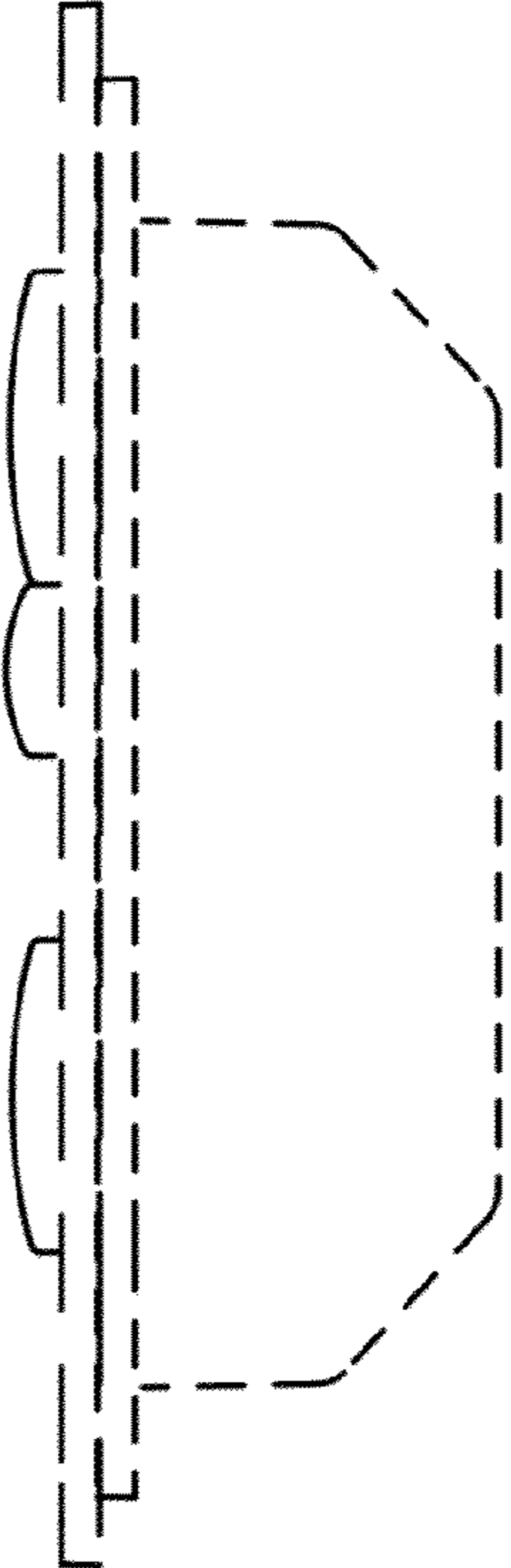


FIG. 4

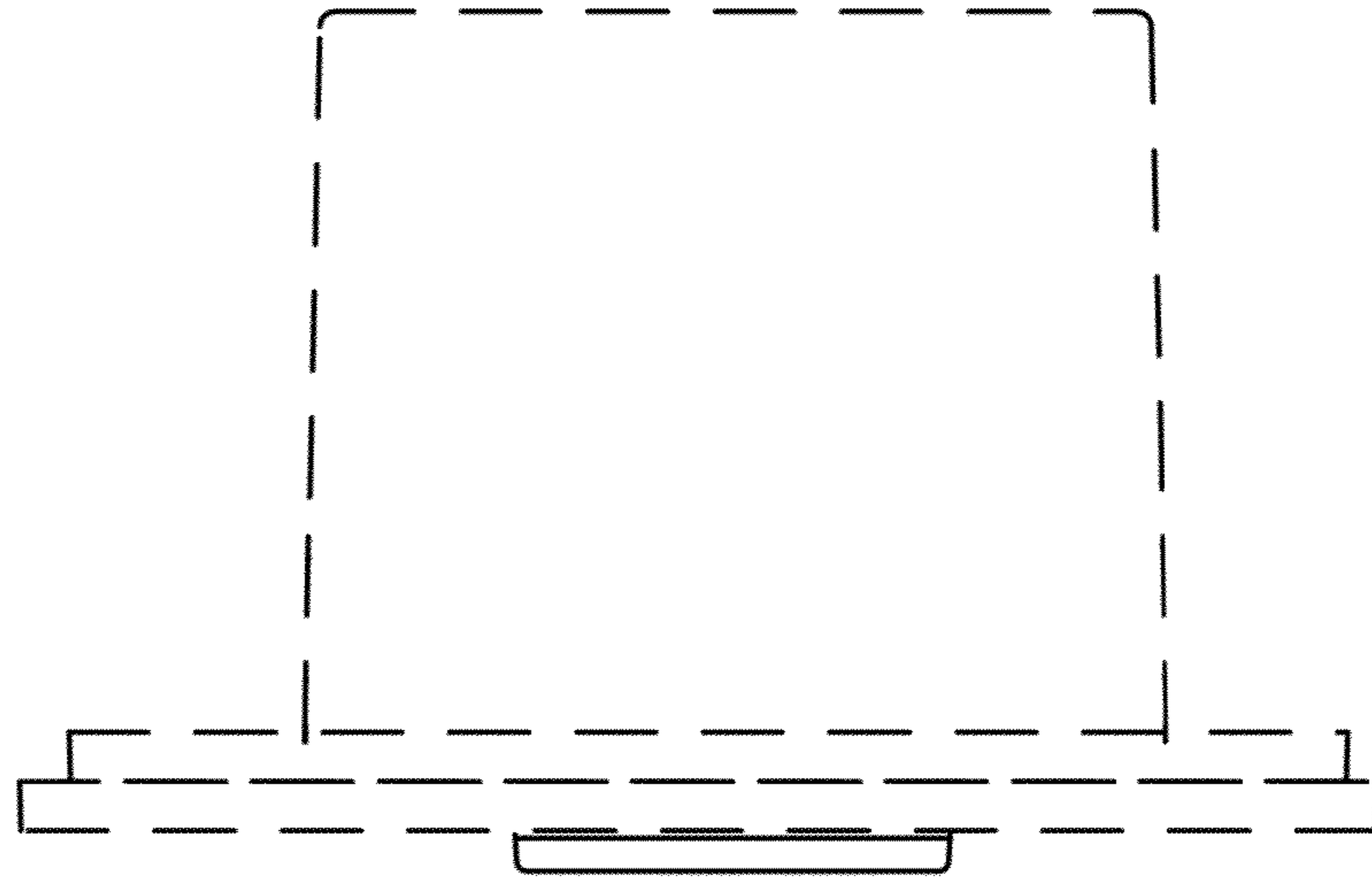


FIG. 5

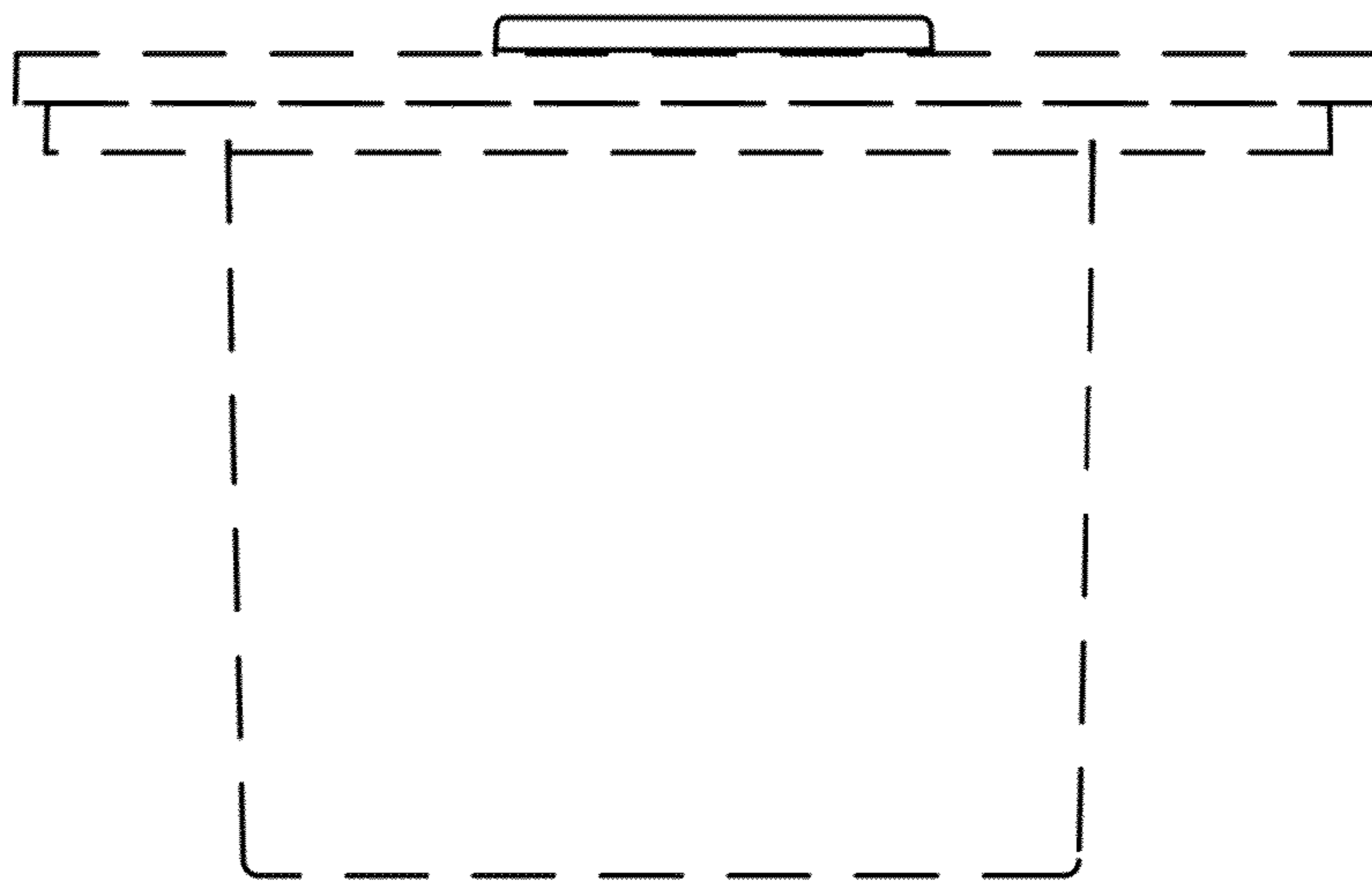


FIG. 6

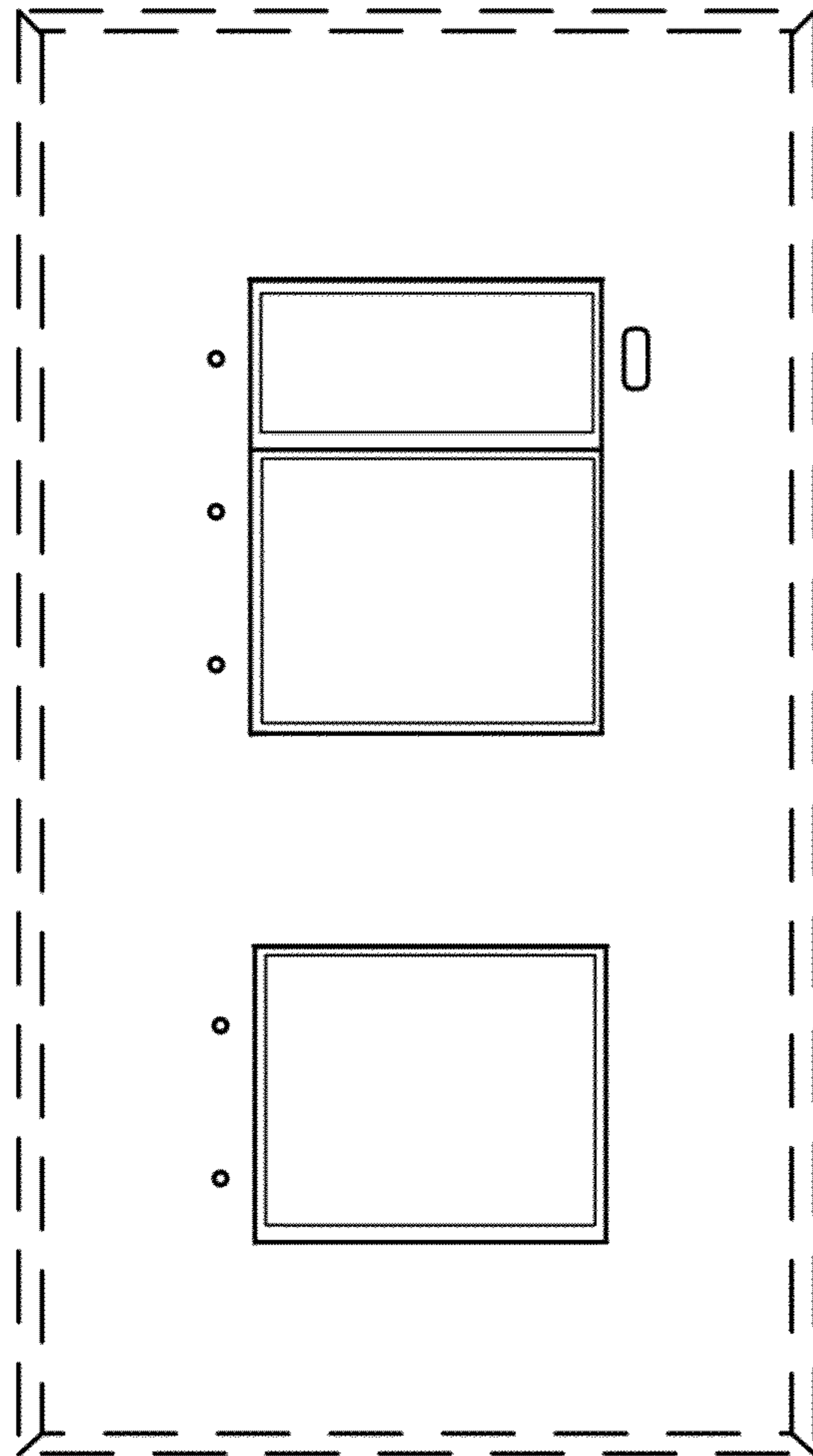


FIG. 7



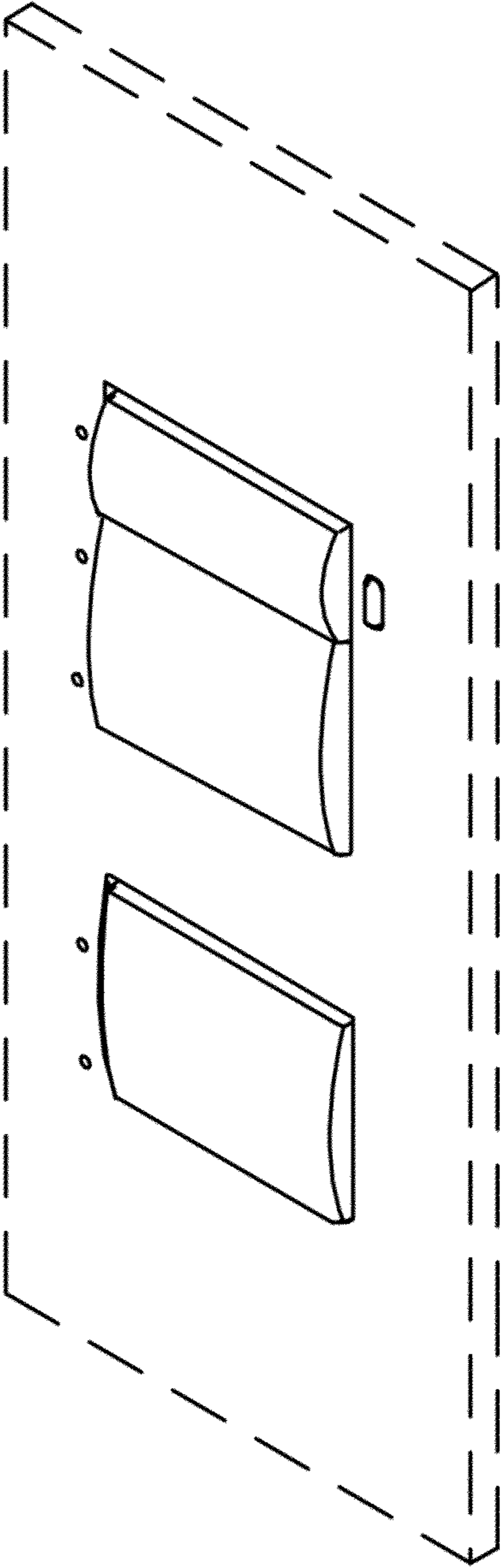


FIG. 8

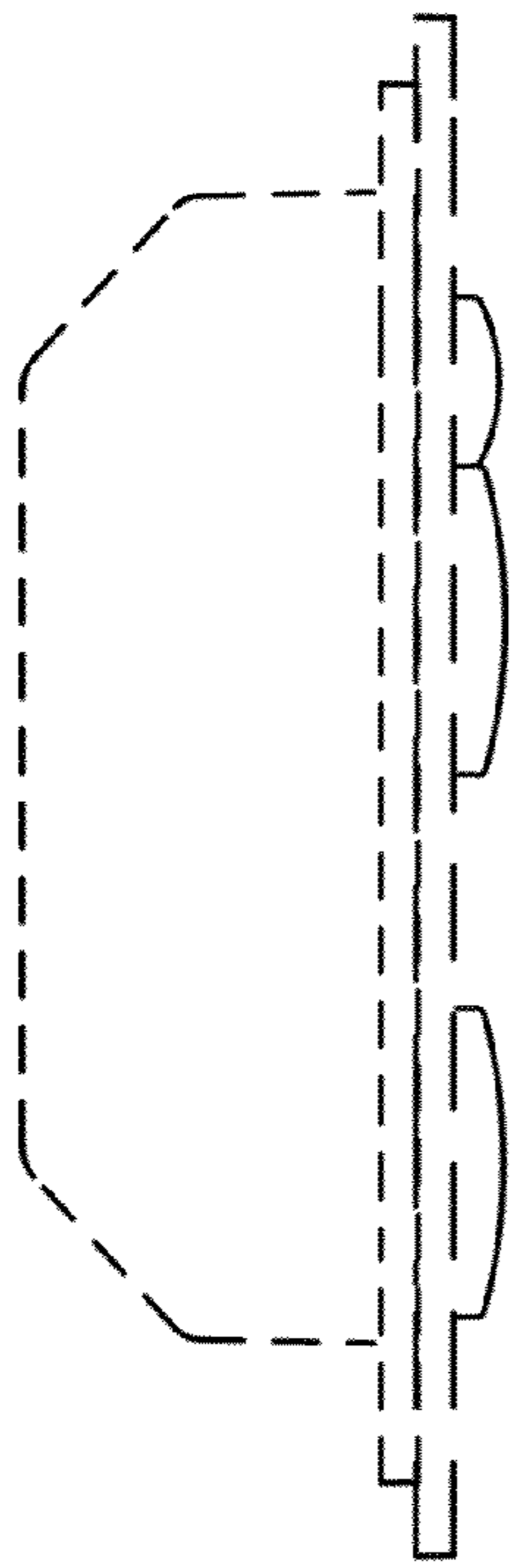


FIG. 9

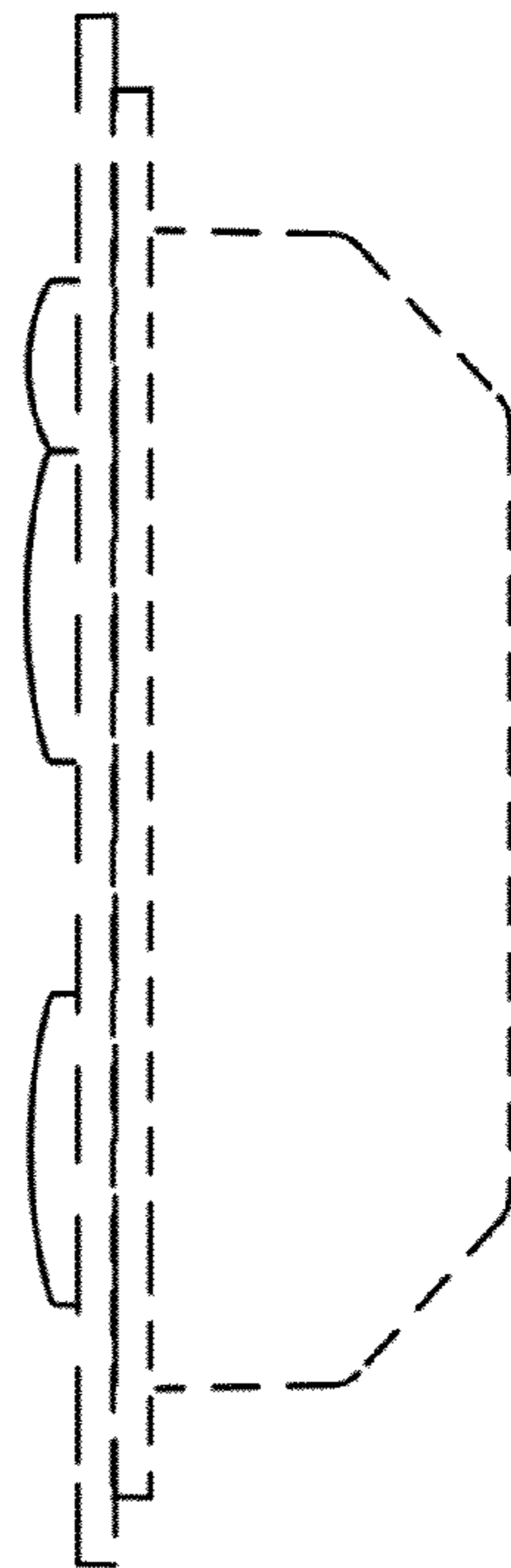


FIG. 10

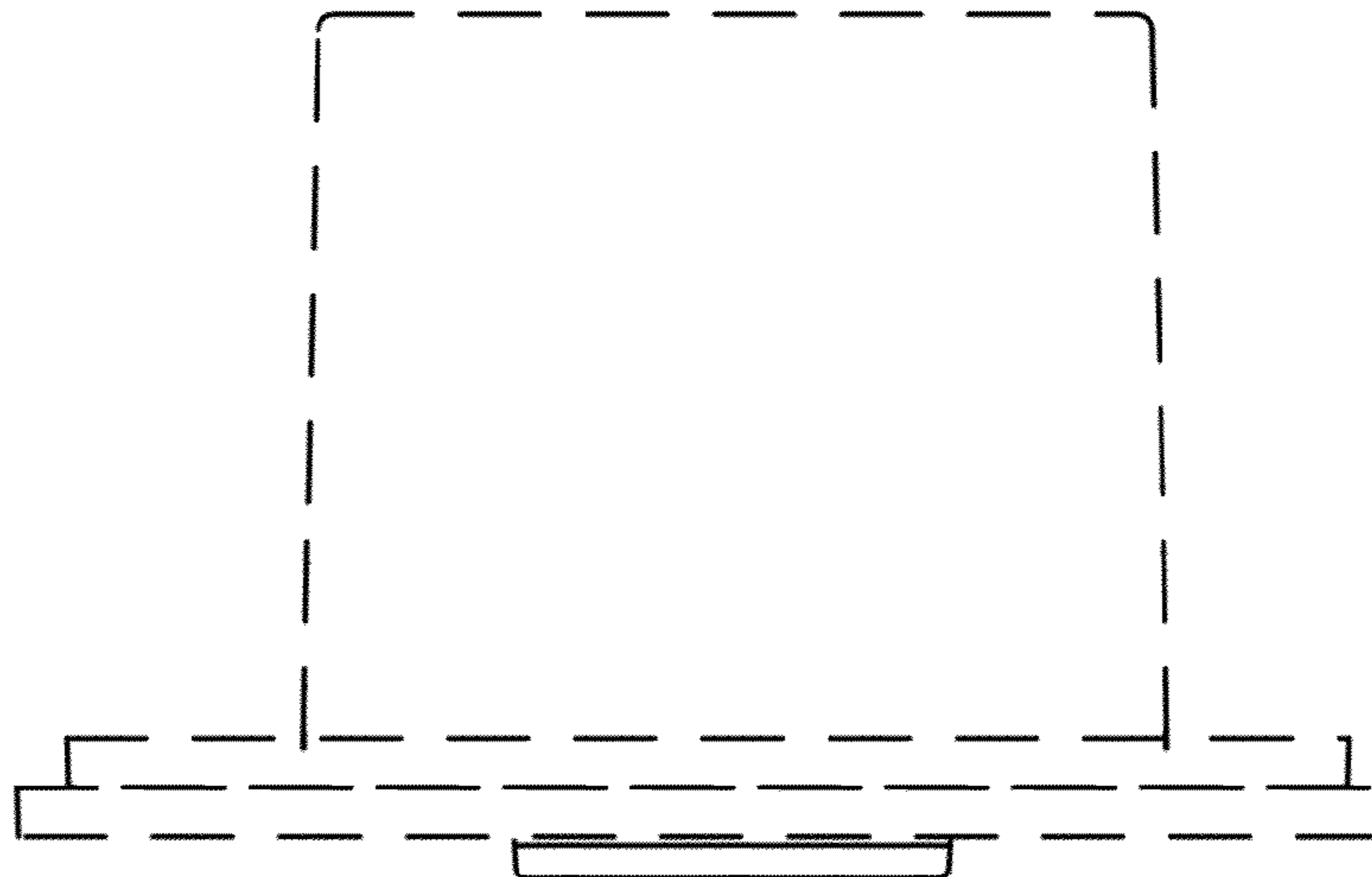


FIG. 11

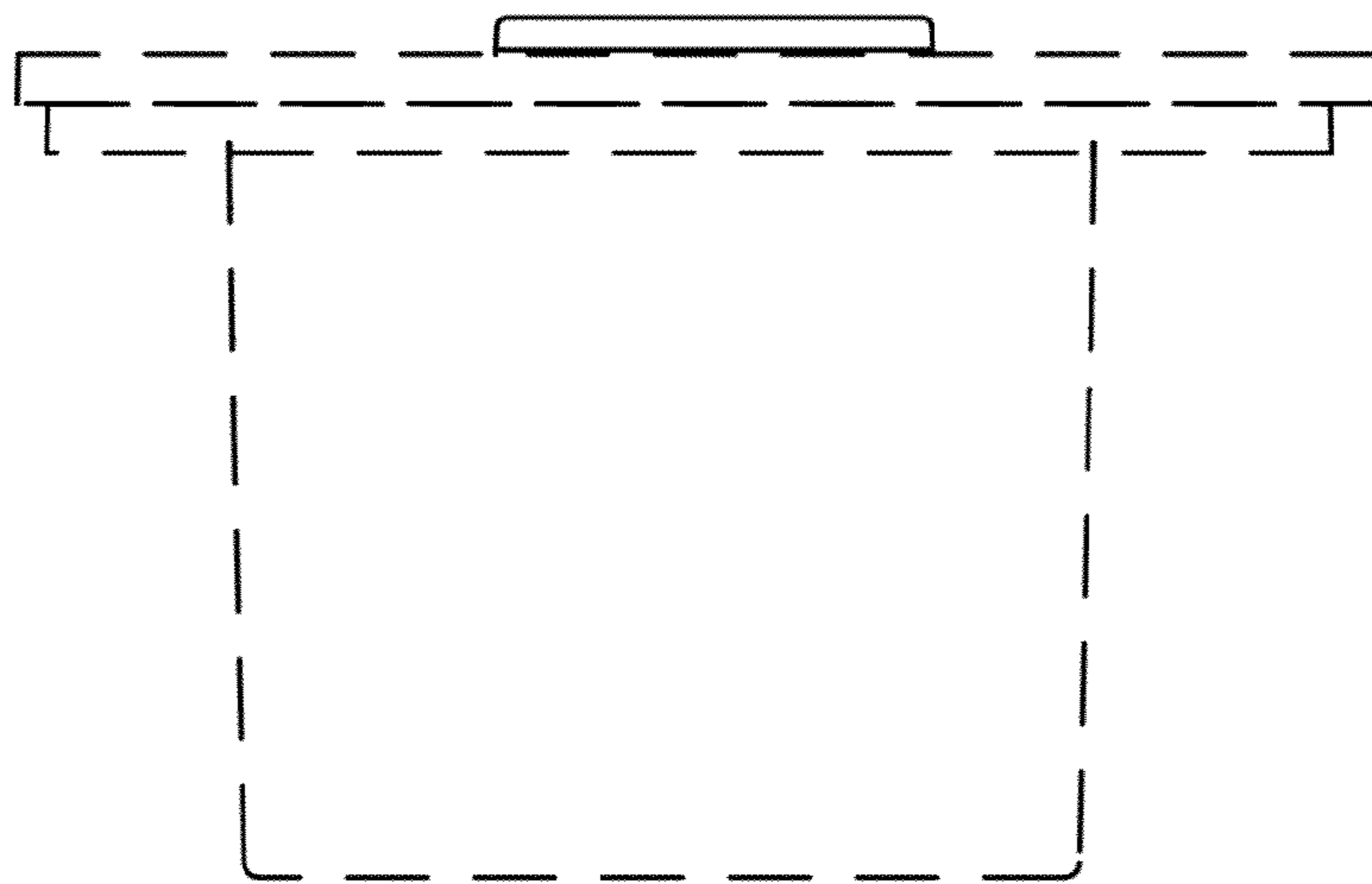


FIG. 12