



US00D701175S

(12) **United States Design Patent**
Baldwin et al.

(10) **Patent No.:** **US D701,175 S**
(45) **Date of Patent:** **** Mar. 18, 2014**

- (54) **ELECTRICAL BOX**
- (71) Applicants: **Jeffrey Baldwin**, Desert Hills, AZ (US);
John Klein, Gilbert, AZ (US); **Ryan Liebengood**, Gilbert, AZ (US)
- (72) Inventors: **Jeffrey Baldwin**, Desert Hills, AZ (US);
John Klein, Gilbert, AZ (US); **Ryan Liebengood**, Gilbert, AZ (US)

(**) Term: **14 Years**

(21) Appl. No.: **29/441,472**

(22) Filed: **Jan. 4, 2013**

(51) **LOC (10) Cl.** **13-03**

(52) **U.S. Cl.**
USPC **D13/156**

(58) **Field of Classification Search**
USPC D13/156, 133, 146, 152, 154, 155, 158,
D13/160, 173, 184, 199; 174/50, 53-55,
174/58-60, 64, 66, 67, 480, 481; 220/3.2,
220/3.3, 3.7-3.9, 241, 242; 439/180, 252,
439/269.1, 278, 374, 378, 527, 529, 533,
439/892, 894, 901

See application file for complete search history.

(56) **References Cited**

U.S. PATENT DOCUMENTS

- D227,989 S * 7/1973 Geisel D13/156
- 4,176,758 A * 12/1979 Glick 220/3.3

- D346,362 S * 4/1994 Bouley D13/156
- D478,872 S * 8/2003 Heggem D13/152
- D493,773 S * 8/2004 Hein D13/156
- 6,827,229 B2 * 12/2004 Dinh et al. 220/3.3
- D502,687 S * 3/2005 Sherman D13/156
- 7,170,015 B1 * 1/2007 Roesch et al. 174/480
- D596,154 S * 7/2009 Rivkin D14/140.5
- D629,366 S * 12/2010 Ericson et al. D13/156

* cited by examiner

Primary Examiner — Derrick Holland

(74) *Attorney, Agent, or Firm* — Ryan Liebengood

(57) **CLAIM**

We claim the ornamental design for an electrical box, as shown and described.

DESCRIPTION

FIG. 1 is a perspective view of an electrical box showing our design;

FIG. 2 is a front elevational view thereof;

FIG. 3 is a rear elevational view thereof;

FIG. 4 is a top plan view thereof;

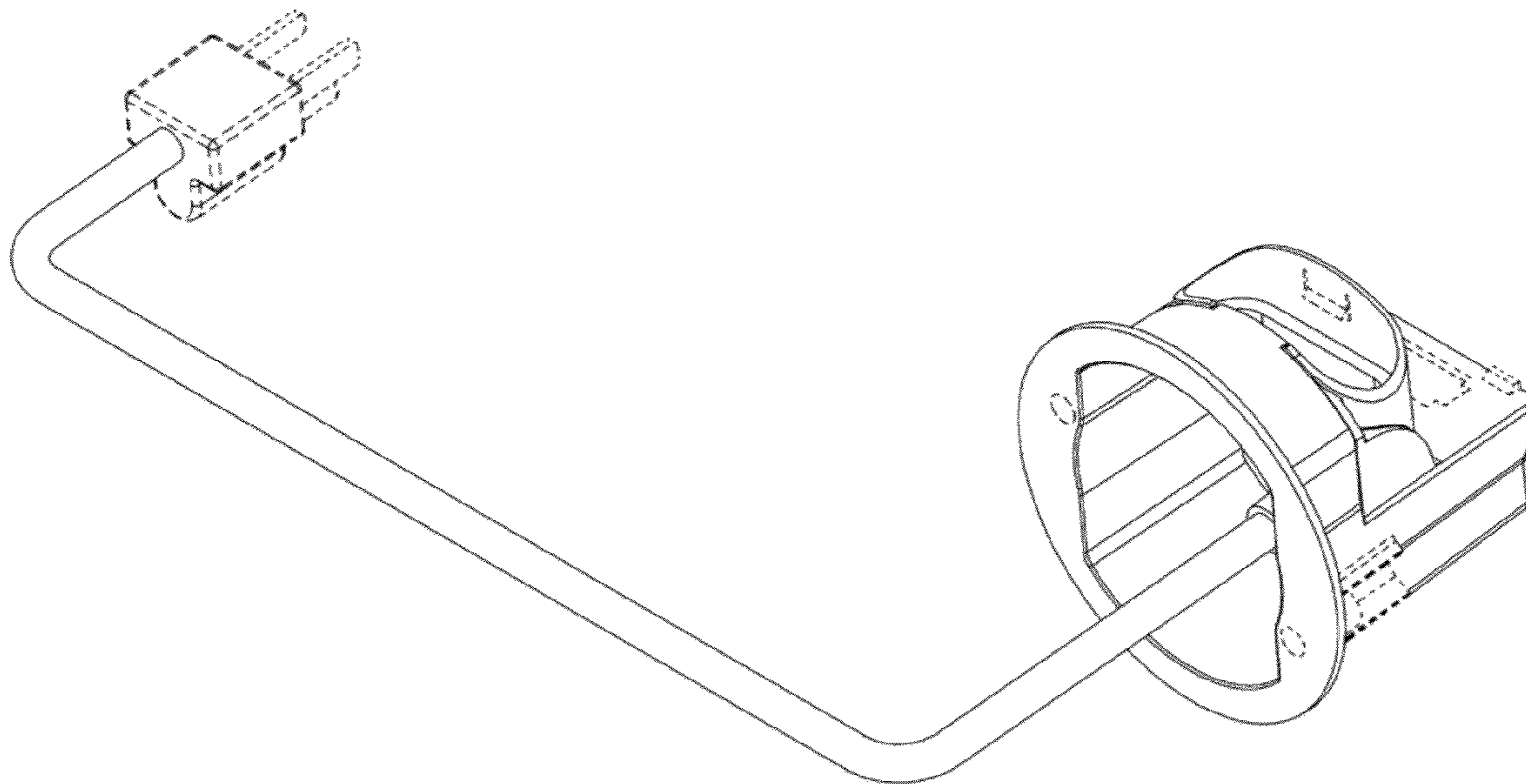
FIG. 5 is a bottom plan view thereof;

FIG. 6 is a left side elevational view thereof; and,

FIG. 7 is a right side elevational view thereof.

The broken lines shown in the Figures are included for the purpose of illustrating environmental features and form no part of the claimed design.

1 Claim, 7 Drawing Sheets



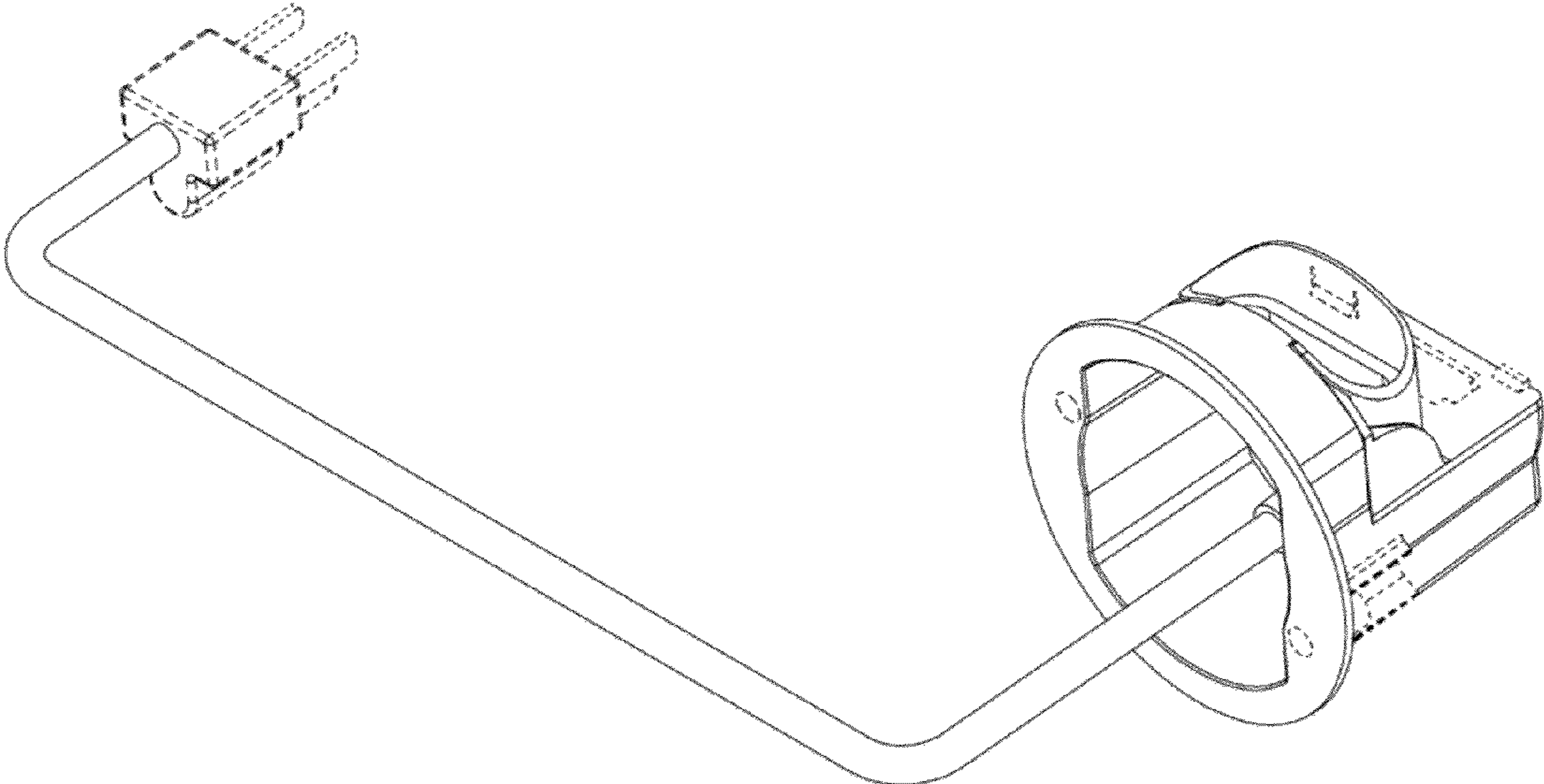


FIG. 1

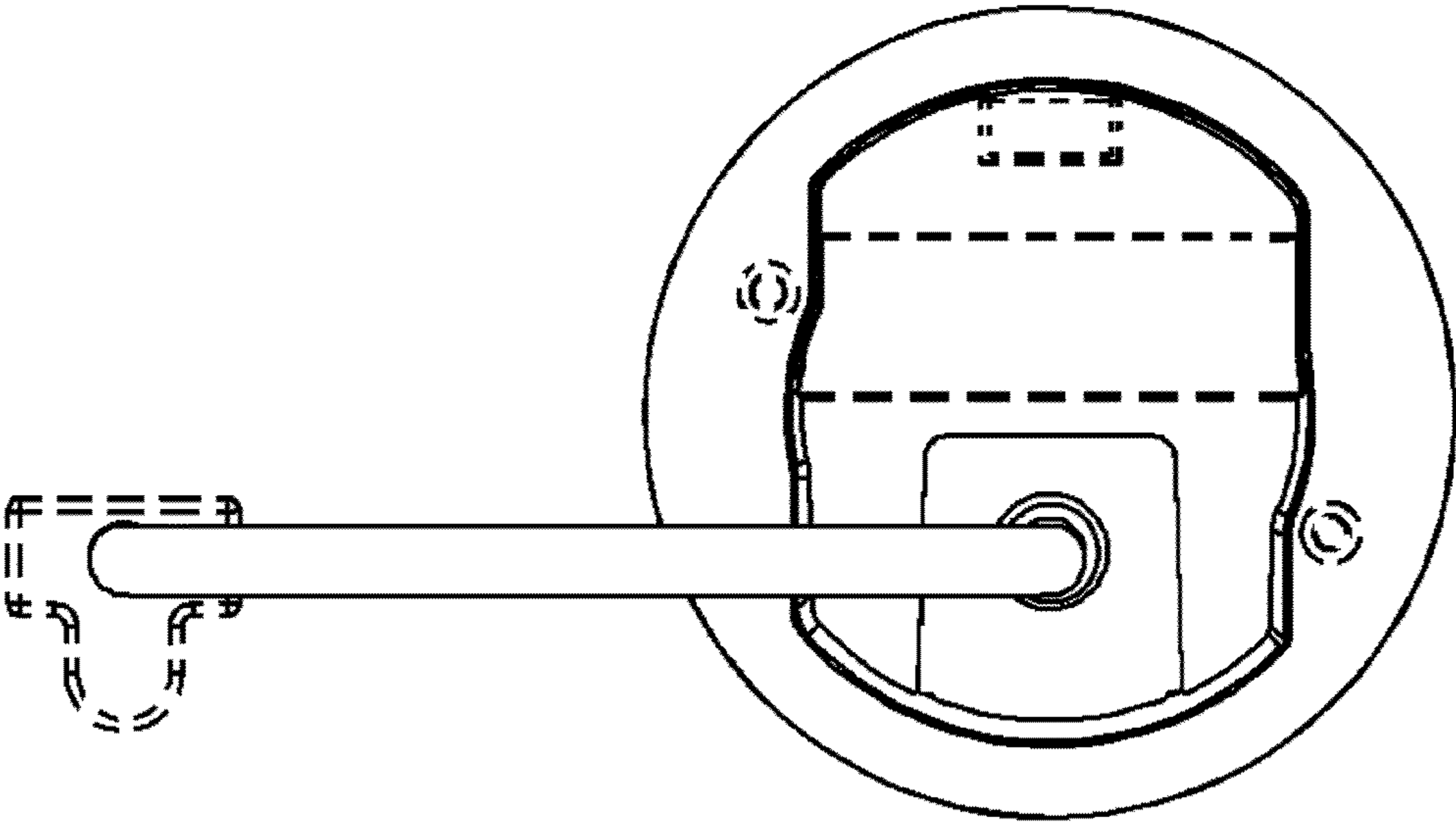


FIG. 2

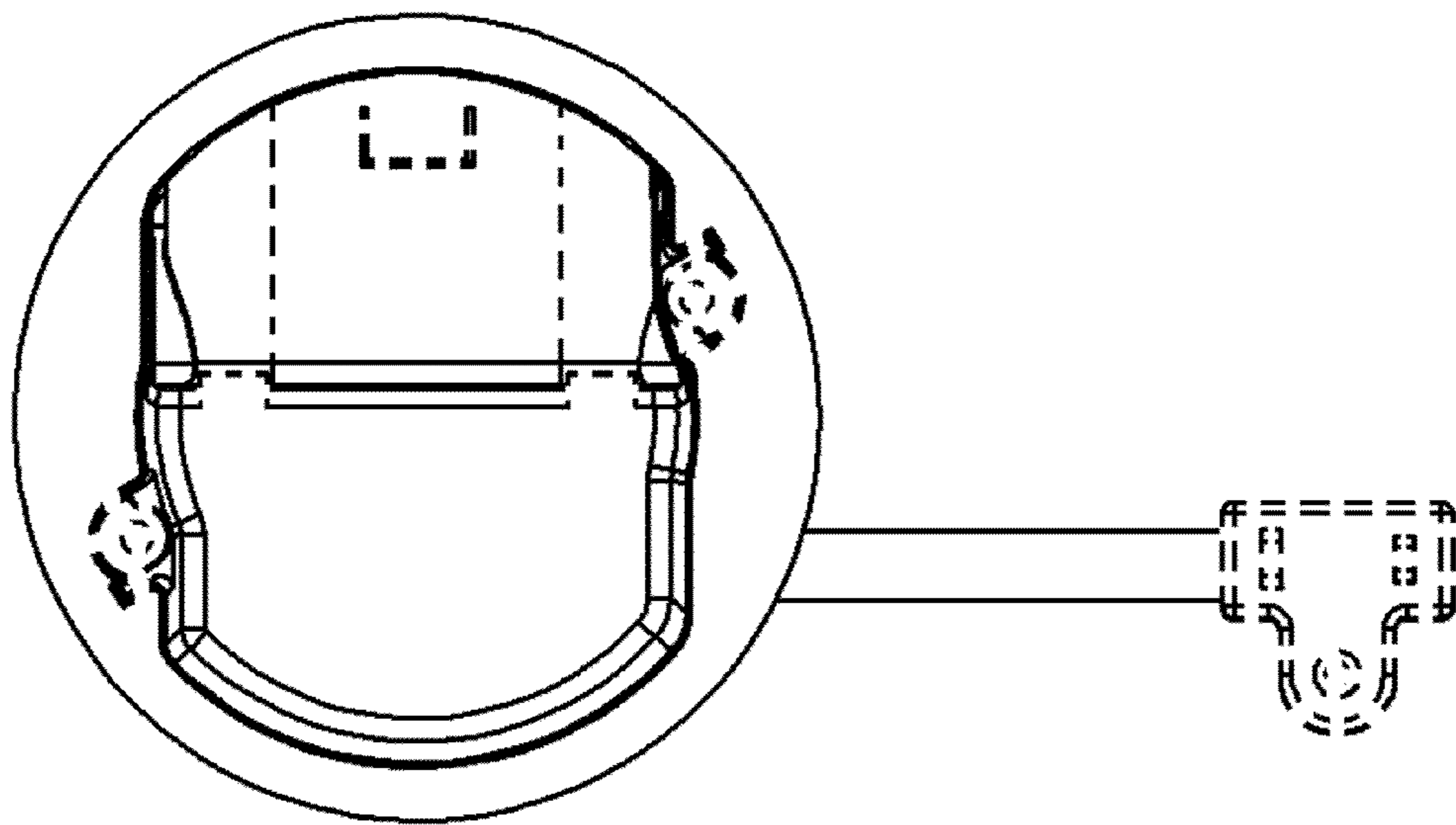


FIG. 3

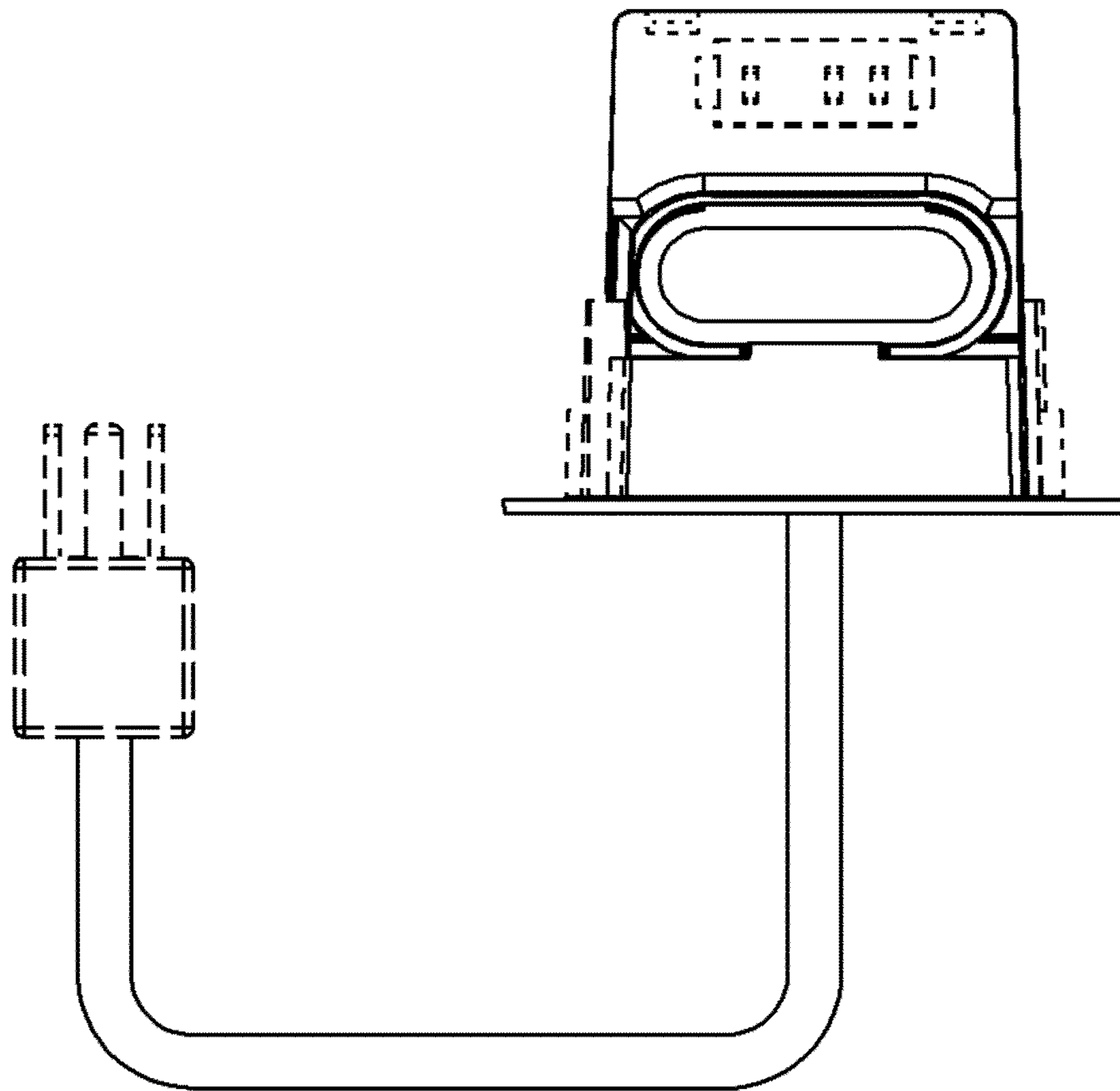


FIG. 4

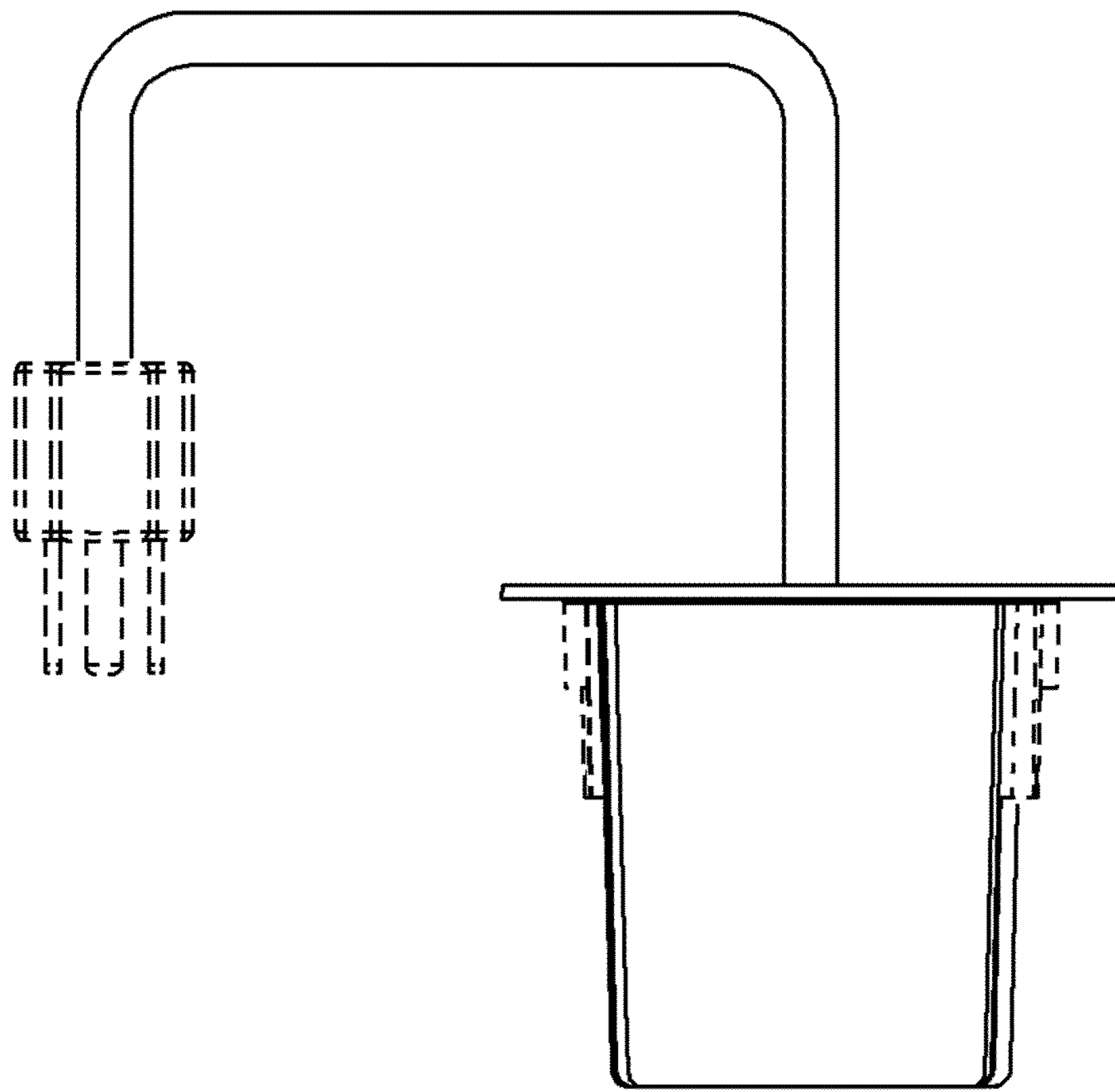


FIG. 5

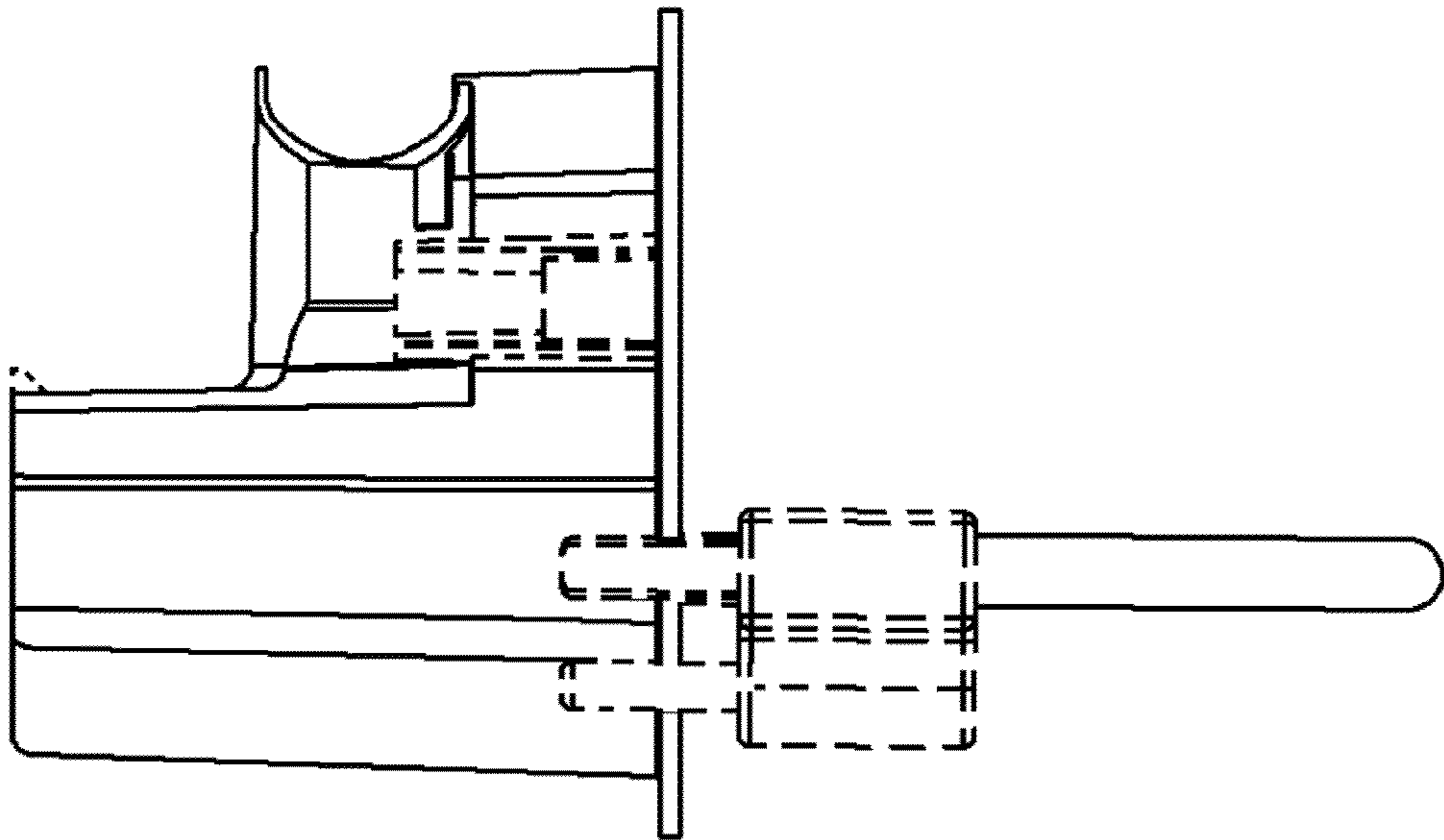


FIG. 6

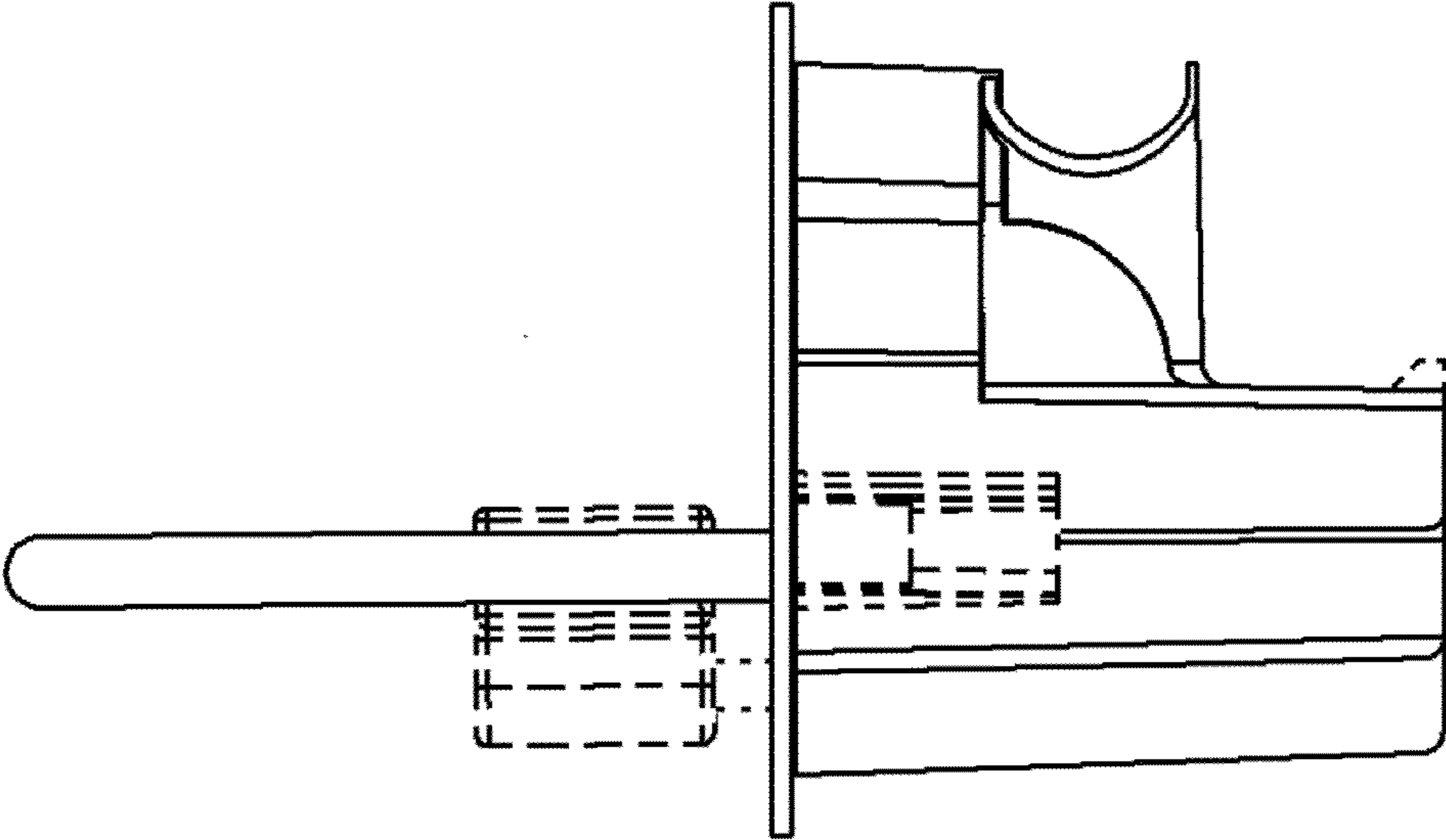


FIG. 7