



US00D701174S

(12) **United States Design Patent**
Feldstein et al.

(10) **Patent No.:** **US D701,174 S**
(45) **Date of Patent:** **** Mar. 18, 2014**

(54) **HI-DEFINITION MULTIMEDIA INTERFACE(HDMI) SHIELD**

(75) Inventors: **Wendy Feldstein**, Old Tappan, NJ (US);
Gregory Sorrentino, Brewster, NY (US)

(73) Assignee: **Crestron Electronics Inc.**, Rockleigh,
NJ (US)

(**) Term: **14 Years**

(21) Appl. No.: **29/415,615**

(22) Filed: **Mar. 13, 2012**

(51) **LOC (10) Cl.** **13-03**

(52) **U.S. Cl.**
USPC **D13/154**

(58) **Field of Classification Search**
USPC D13/110, 133, 146, 147, 154;
439/607.01, 607.04, 607.07-607.09,
439/607.11, 607.13, 607.14, 607.25,
439/607.31, 607.32, 353; 361/818; 174/358
See application file for complete search history.

(56) **References Cited**

U.S. PATENT DOCUMENTS

| | | | | |
|-----------|------|---------|-----------------|------------|
| 4,236,779 | A | 12/1980 | Tang | |
| 4,239,318 | A | 12/1980 | Schwartz | |
| 4,512,623 | A | 4/1985 | Tomsa | |
| 4,703,133 | A | 10/1987 | Miller | |
| 4,754,101 | A | 6/1988 | Stickney et al. | |
| 5,628,653 | A | 5/1997 | Haas et al. | |
| 6,659,799 | B2 * | 12/2003 | Yang | 439/607.19 |
| 6,932,640 | B1 | 8/2005 | Sung | |
| D509,190 | S * | 9/2005 | Tsai | D13/147 |
| 7,270,570 | B1 | 9/2007 | Hamner et al. | |
| D555,101 | S * | 11/2007 | Xiao et al. | D13/147 |
| D591,685 | S * | 5/2009 | Hung et al. | D13/147 |
| D601,971 | S * | 10/2009 | Chen et al. | D13/154 |
| D611,424 | S * | 3/2010 | Arai et al. | D13/147 |

| | | | | |
|--------------|------|---------|------------------|------------|
| D613,252 | S * | 4/2010 | Nagata et al. | D13/147 |
| 7,950,948 | B2 * | 5/2011 | Amidon | 439/353 |
| 7,952,890 | B2 | 5/2011 | Myers et al. | |
| D639,245 | S * | 6/2011 | Wada et al. | D13/147 |
| D640,202 | S * | 6/2011 | Wang et al. | D13/147 |
| D640,203 | S * | 6/2011 | Wang et al. | D13/147 |
| D642,130 | S * | 7/2011 | Wang et al. | D13/147 |
| D648,679 | S * | 11/2011 | He | D13/147 |
| D649,940 | S * | 12/2011 | Arai et al. | D13/147 |
| D650,759 | S * | 12/2011 | Arai et al. | D13/147 |
| D662,890 | S * | 7/2012 | Sasaki | D13/147 |
| D668,616 | S * | 10/2012 | Ohtsuji | D13/147 |
| 2005/0227543 | A1 * | 10/2005 | Masumoto et al. | 439/660 |
| 2006/0036788 | A1 | 2/2006 | Galang et al. | |
| 2008/0057786 | A1 * | 3/2008 | Gu et al. | 439/607 |
| 2012/0325546 | A1 * | 12/2012 | Feldstein et al. | 174/358 |
| 2012/0327630 | A1 * | 12/2012 | Feldstein et al. | 361/818 |
| 2013/0224998 | A1 * | 8/2013 | Feldstein et al. | 439/607.01 |

* cited by examiner

Primary Examiner — Thomas Johannes

Assistant Examiner — Khawaja Anwar

(74) *Attorney, Agent, or Firm* — Crestron Electronics Inc.

(57) **CLAIM**

The ornamental design for a hi-definition multimedia interface (HDMI) shield, as shown and described.

DESCRIPTION

FIG. 1 shows a front isometric projection view of a hi-definition multimedia interface (HDMI) shield in accordance with the present invention;

FIG. 2 shows a back right isometric projection view thereof;

FIG. 3 shows a back left isometric projection view thereof;

FIG. 4 shows a front view thereof;

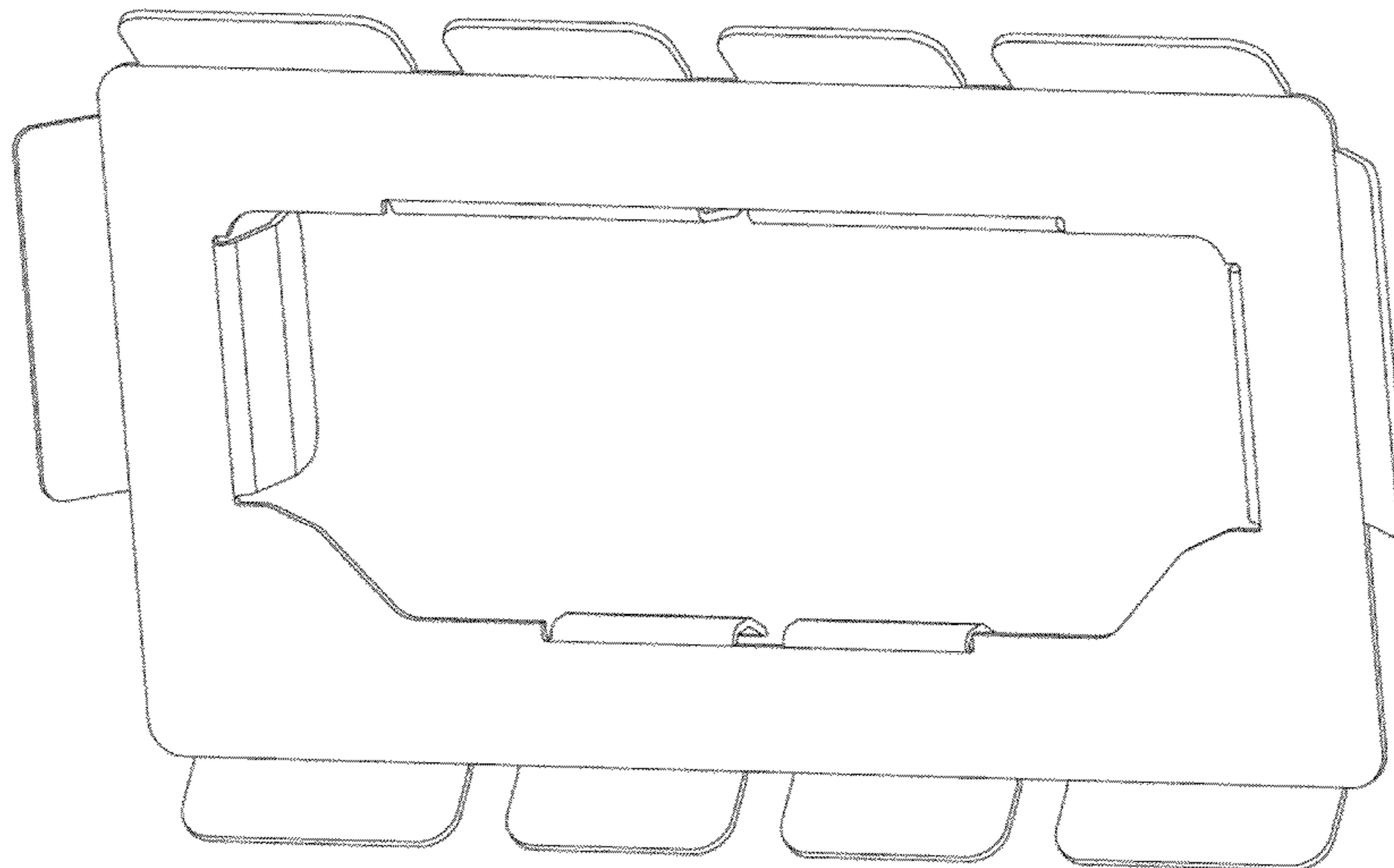
FIG. 5 shows a top view thereof;

FIG. 6 shows a bottom view thereof;

FIG. 7 shows a left side view thereof; and,

FIG. 8 shows a right side view thereof.

1 Claim, 8 Drawing Sheets



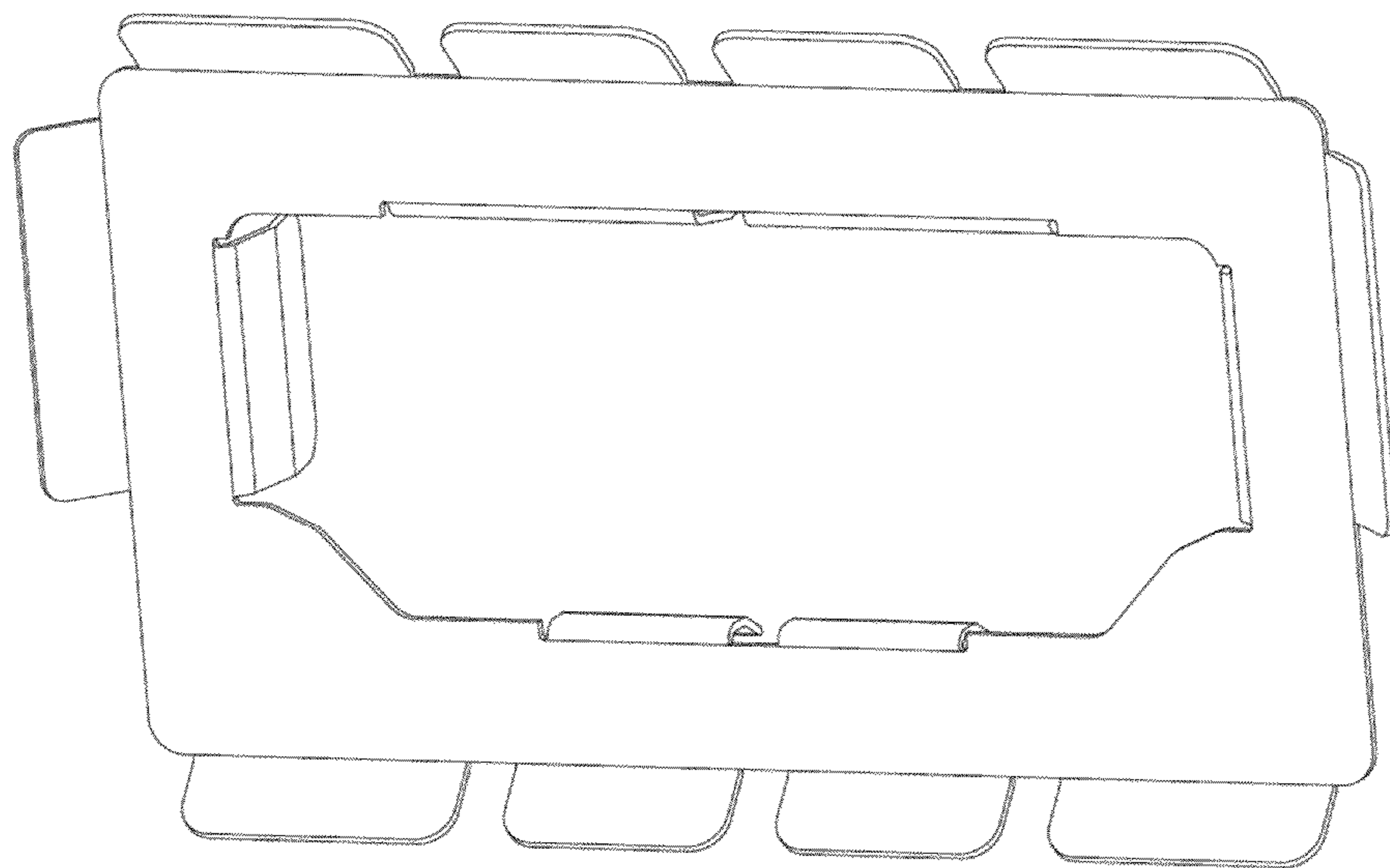


FIG. 1

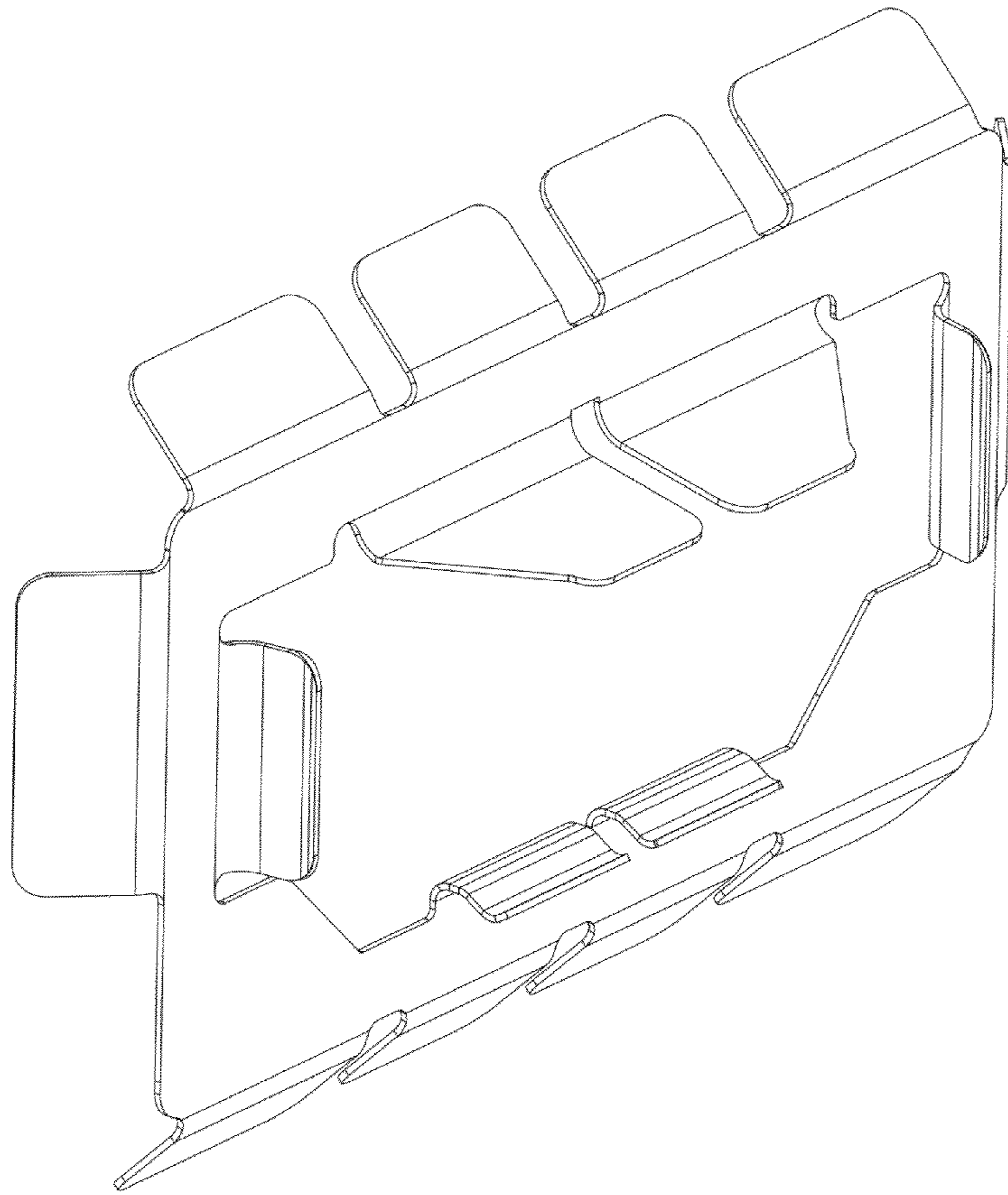


FIG. 2

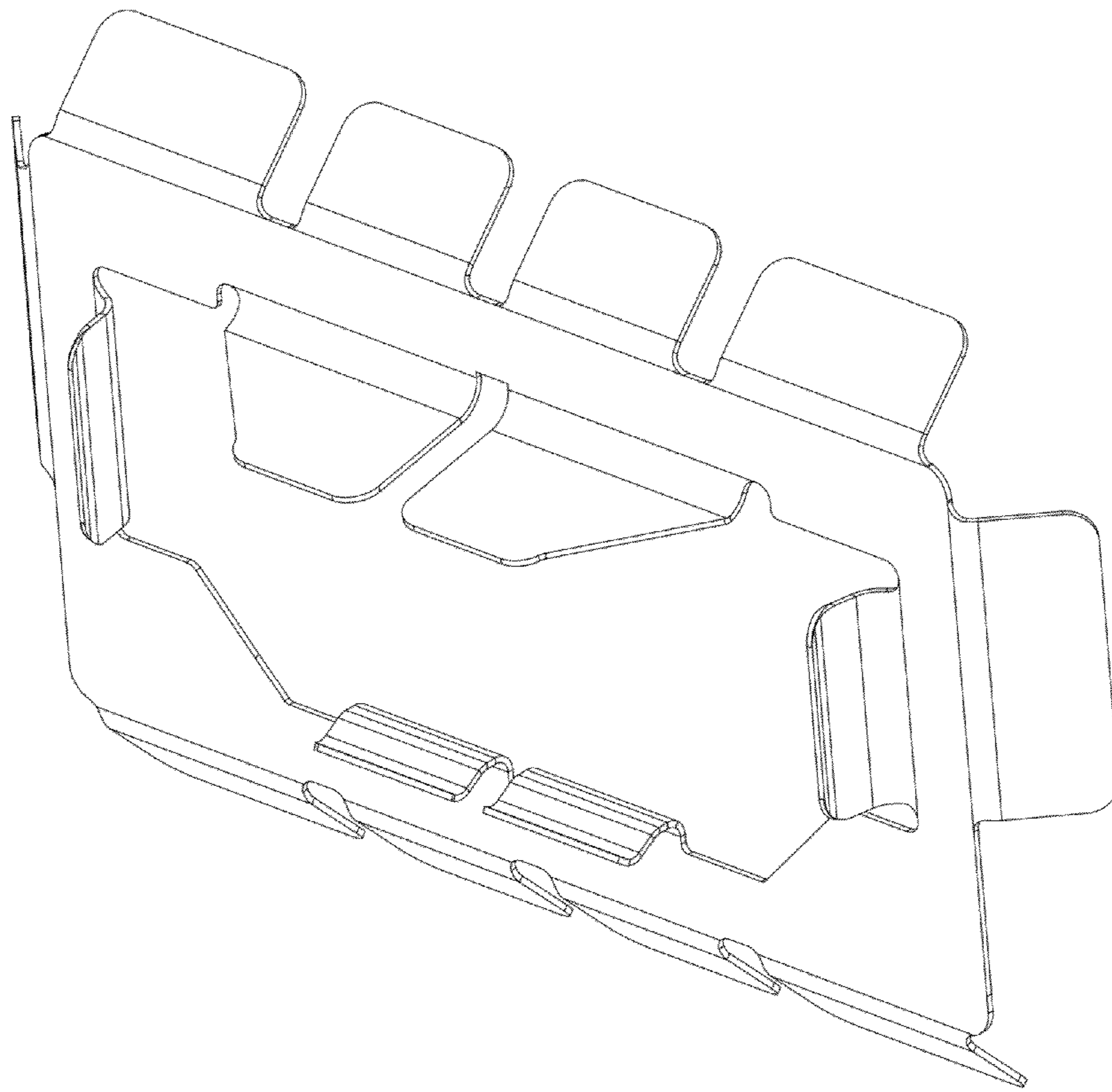


FIG. 3

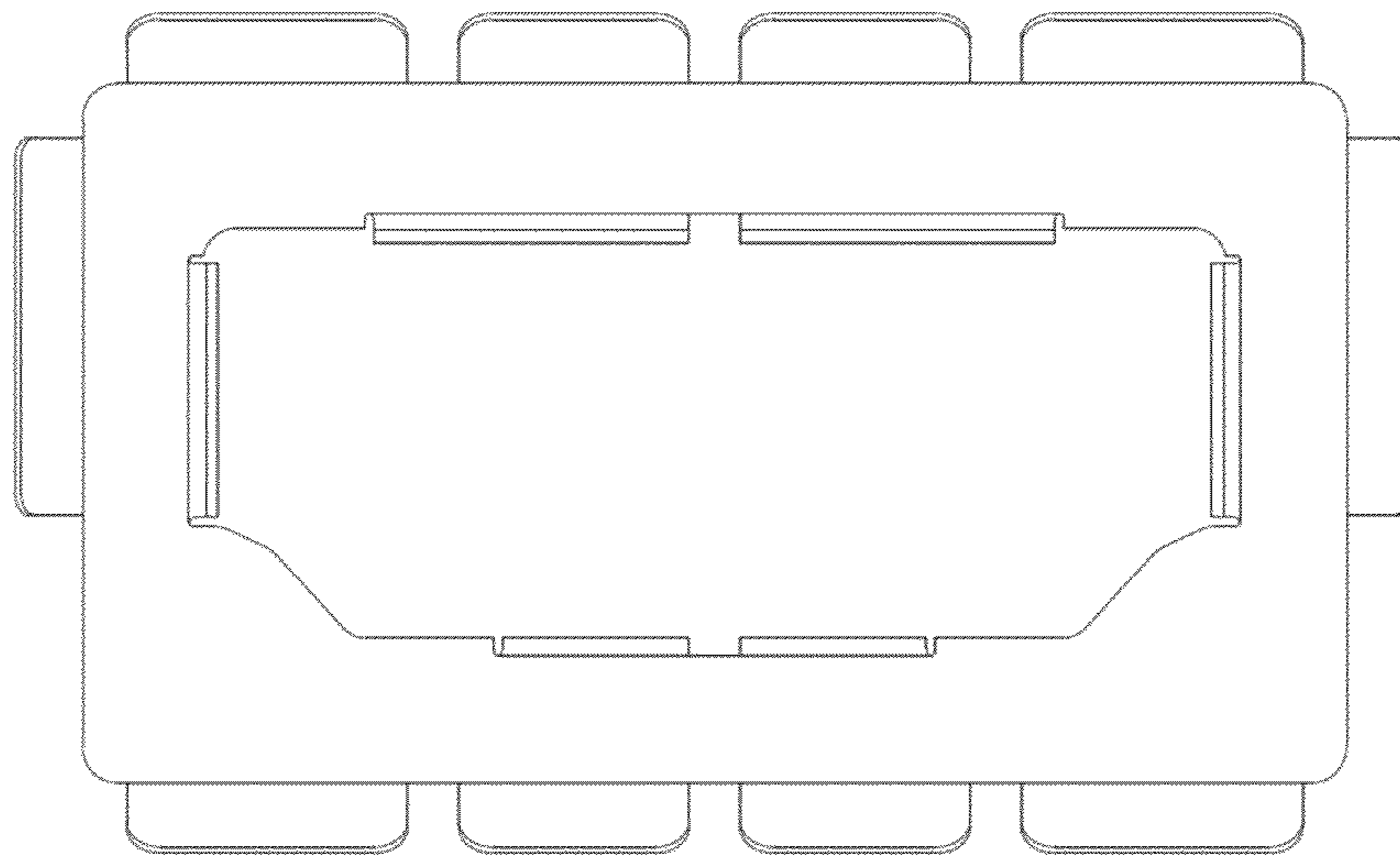


FIG. 4

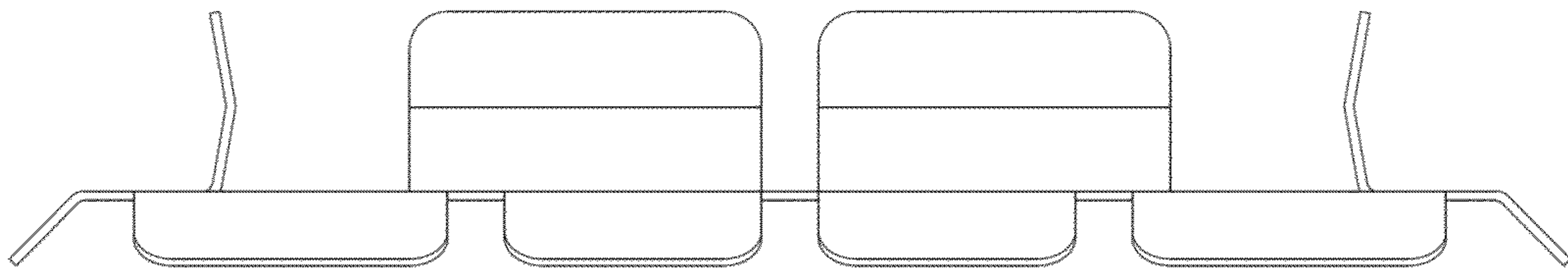


FIG. 5

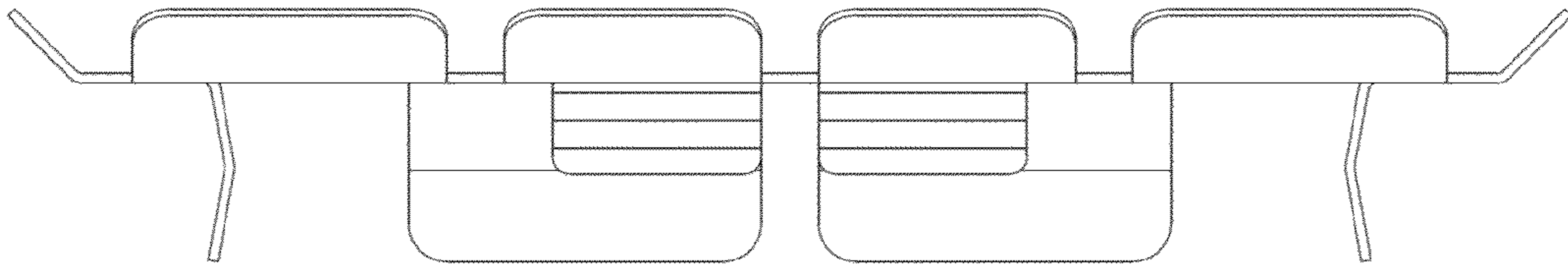


FIG. 6

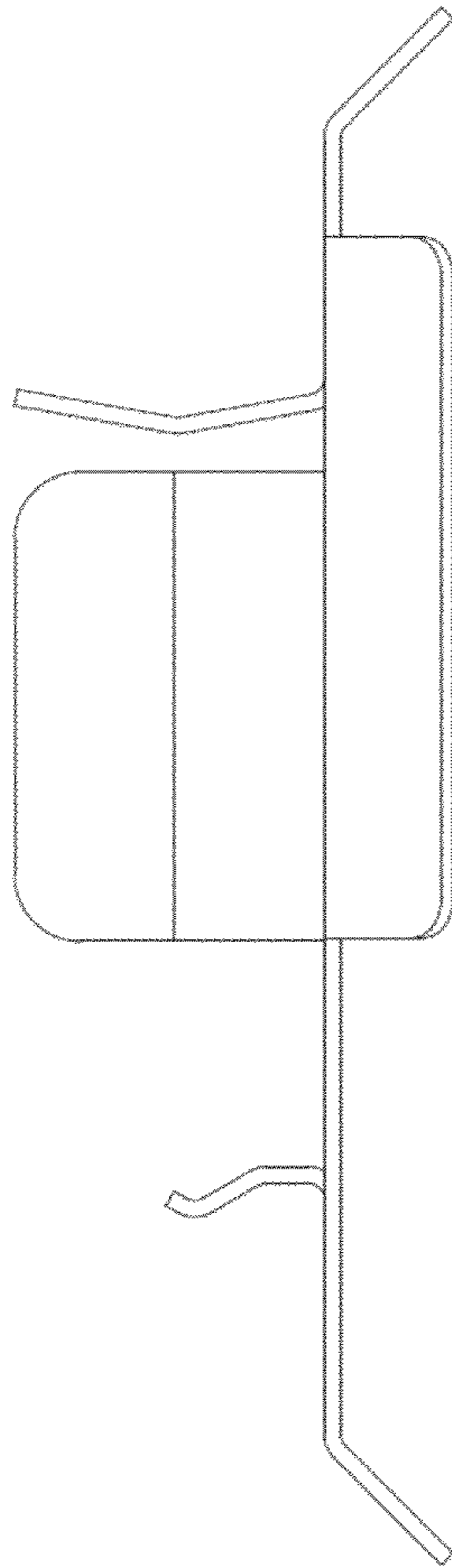


FIG. 7

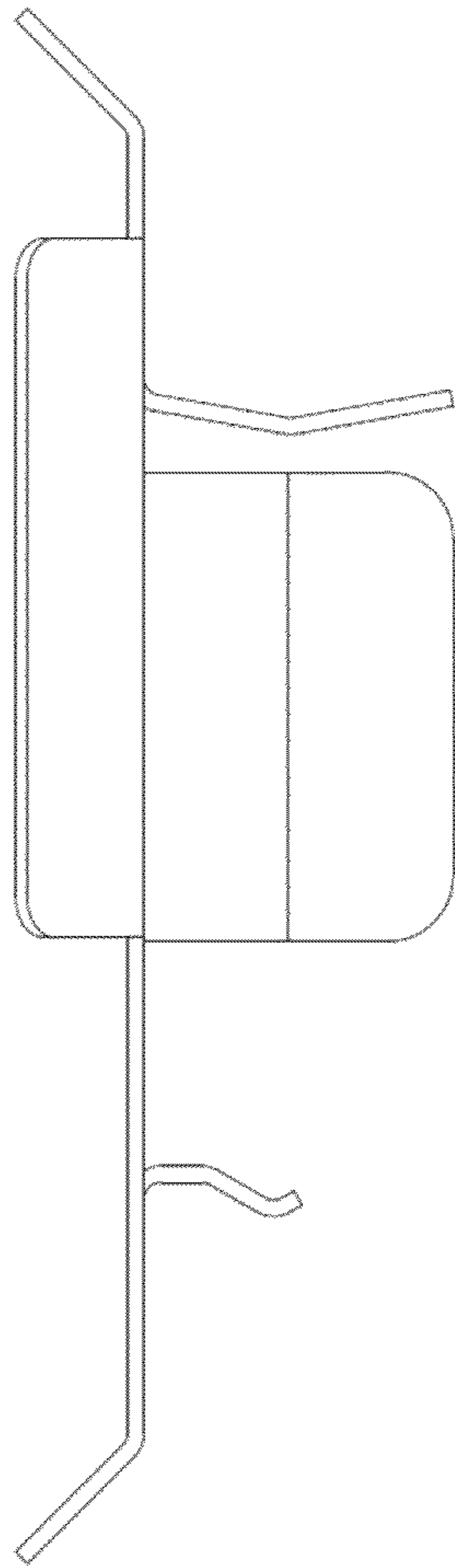


FIG. 8