



US00D701172S

(12) **United States Design Patent**
Evers et al.

(10) **Patent No.:** **US D701,172 S**
(45) **Date of Patent:** **** Mar. 18, 2014**

(54) **MEDIA CABLE**

439/677, 678, 680, 682, 874, 883, 887, 892,
439/894

(75) Inventors: **Maaïke Louise Evers**, San Francisco, CA (US); **Michael Simonian**, San Francisco, CA (US); **Carson Lau**, San Francisco, CA (US); **Joe Freeman Britt, Jr.**, Los Altos, CA (US)

See application file for complete search history.

(73) Assignee: **Google Inc.**, Mountain View, CA (US)

(56) **References Cited**

(**) Term: **14 Years**

U.S. PATENT DOCUMENTS

(21) Appl. No.: **29/425,736**

D600,652	S	*	9/2009	Hong et al.	D13/154
D619,963	S	*	7/2010	Hou	D13/133
D636,337	S	*	4/2011	Smith et al.	D13/147
D691,952	S	*	10/2013	Evers et al.	D13/137.4
D692,390	S	*	10/2013	Smith et al.	D13/153

(22) Filed: **Jun. 26, 2012**

* cited by examiner

(51) **LOC (10) Cl.** **13-03**

Primary Examiner — Daniel Bui

(52) **U.S. Cl.**
USPC **D13/147**

(74) *Attorney, Agent, or Firm* — Morris & Kamlay LLP

(58) **Field of Classification Search**
USPC D13/133, 146, 147, 153, 154, 156, 157, D13/184, 199; D14/432, 433, 435, 435.1, D14/438; 345/156; 361/58, 814; 439/38-40, 439/66, 74, 77, 79, 129-130, 135, 146, 439/149-150, 176-177, 180, 188, 217-218, 439/225, 246, 252, 278-279, 290-291, 329, 439/344-346, 350-353, 357-358, 374, 378, 439/381, 476.1, 607.01, 607.04, 607.5, 439/607.6, 607.17, 607.21, 607.23, 607.25, 439/607.34, 607.41, 607.53, 623, 660, 668,

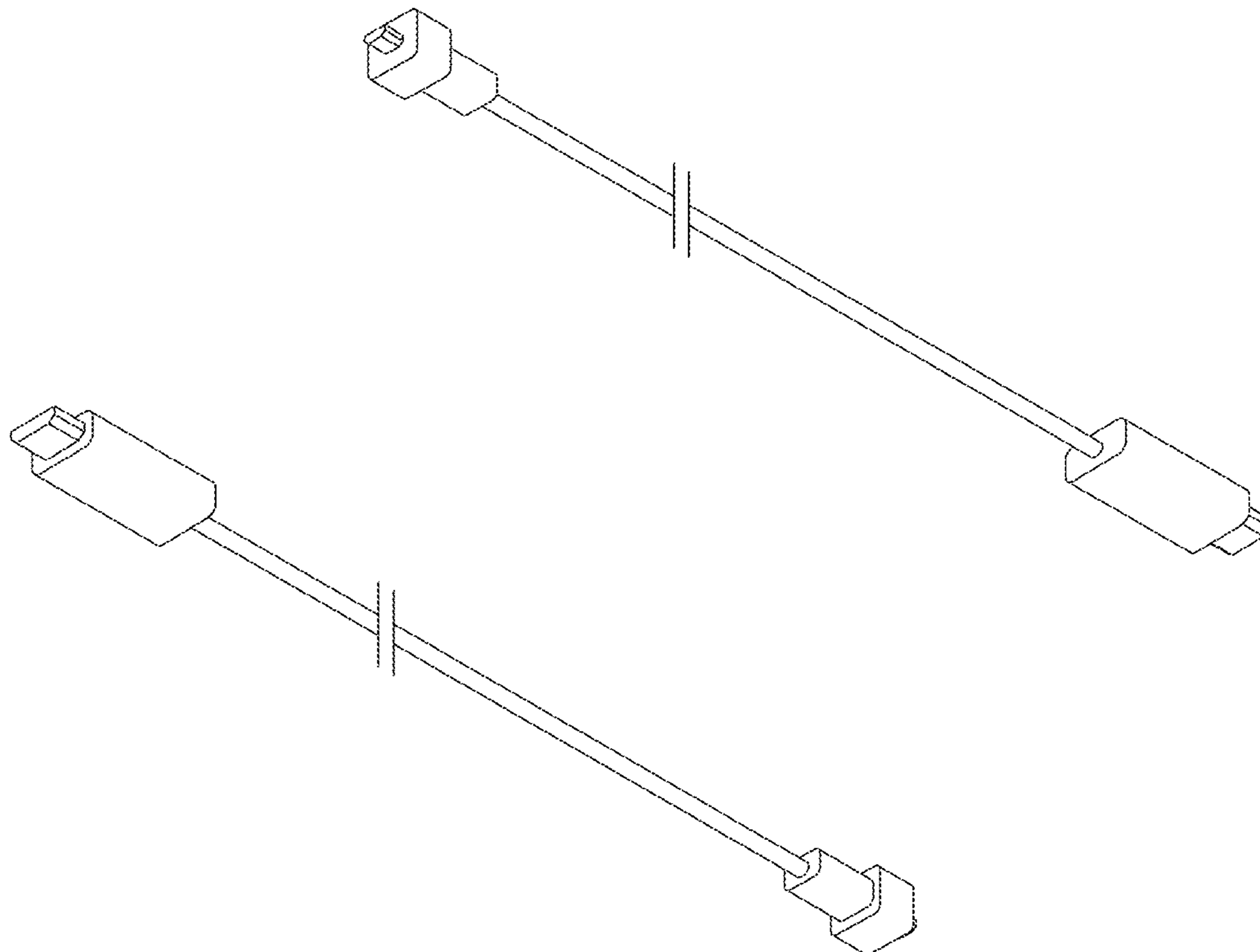
(57) **CLAIM**

The ornamental design for a media cable, as shown.

DESCRIPTION

FIG. 1 is a front elevation view of a media cable showing our new design;
FIG. 2 is a rear elevation view thereof;
FIG. 3 is a side elevation view thereof;
FIG. 4 is a top plan view thereof;
FIG. 5 is a rear, bottom and side perspective view thereof; and,
FIG. 6 is a front, bottom and side perspective view thereof.

1 Claim, 2 Drawing Sheets



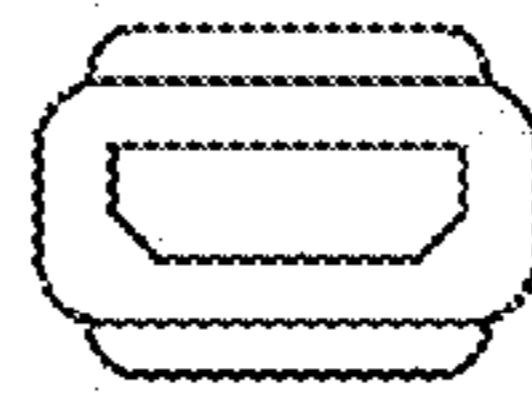


FIG. 1

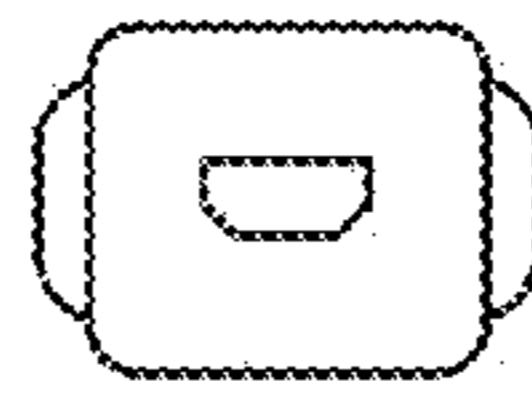


FIG. 2

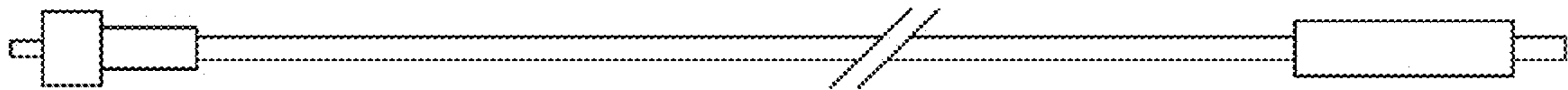


FIG. 3

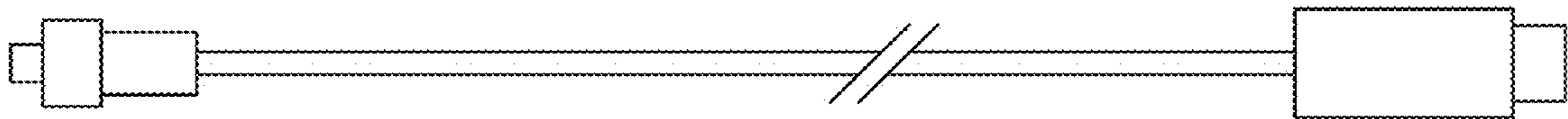


FIG. 4

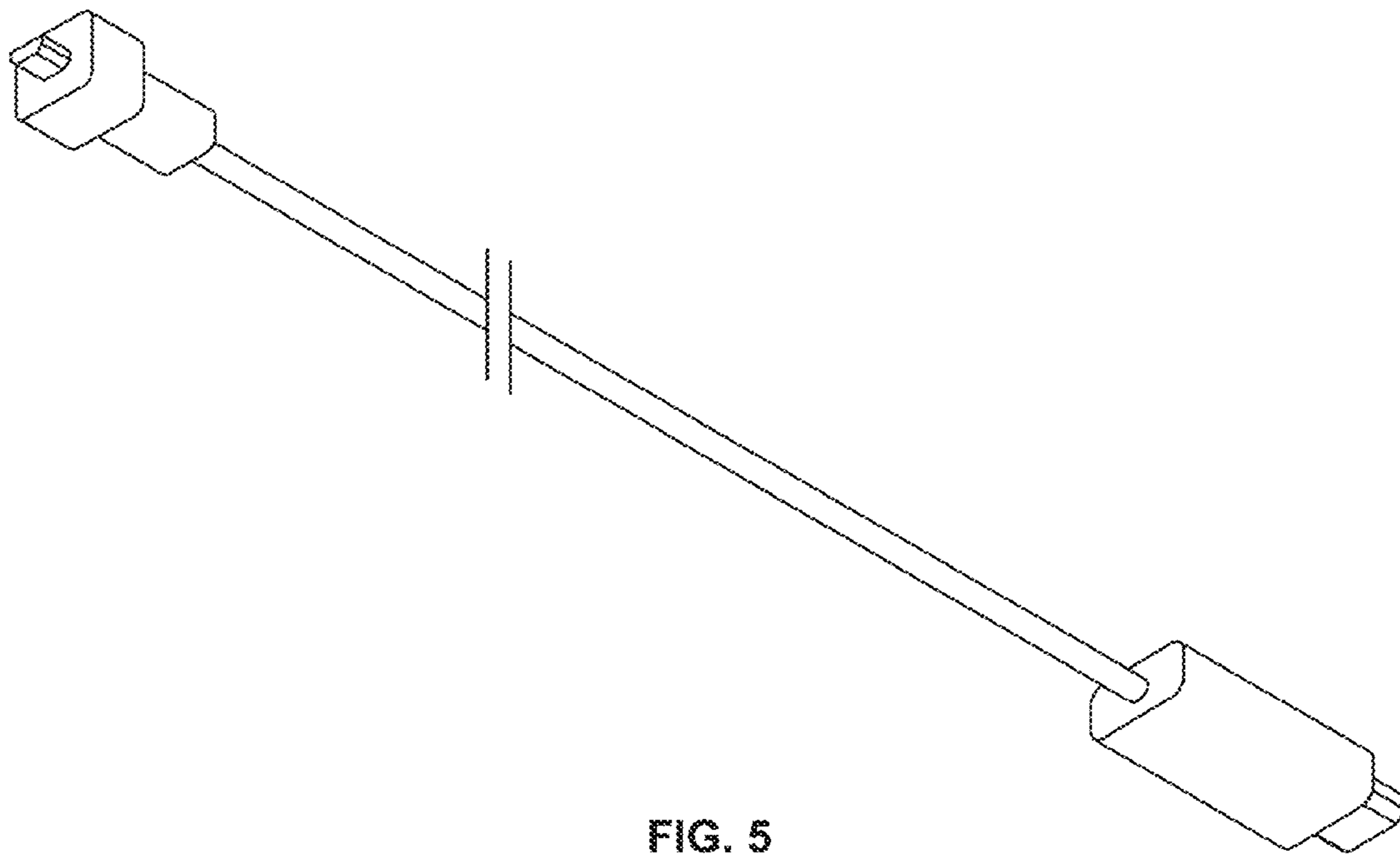


FIG. 5

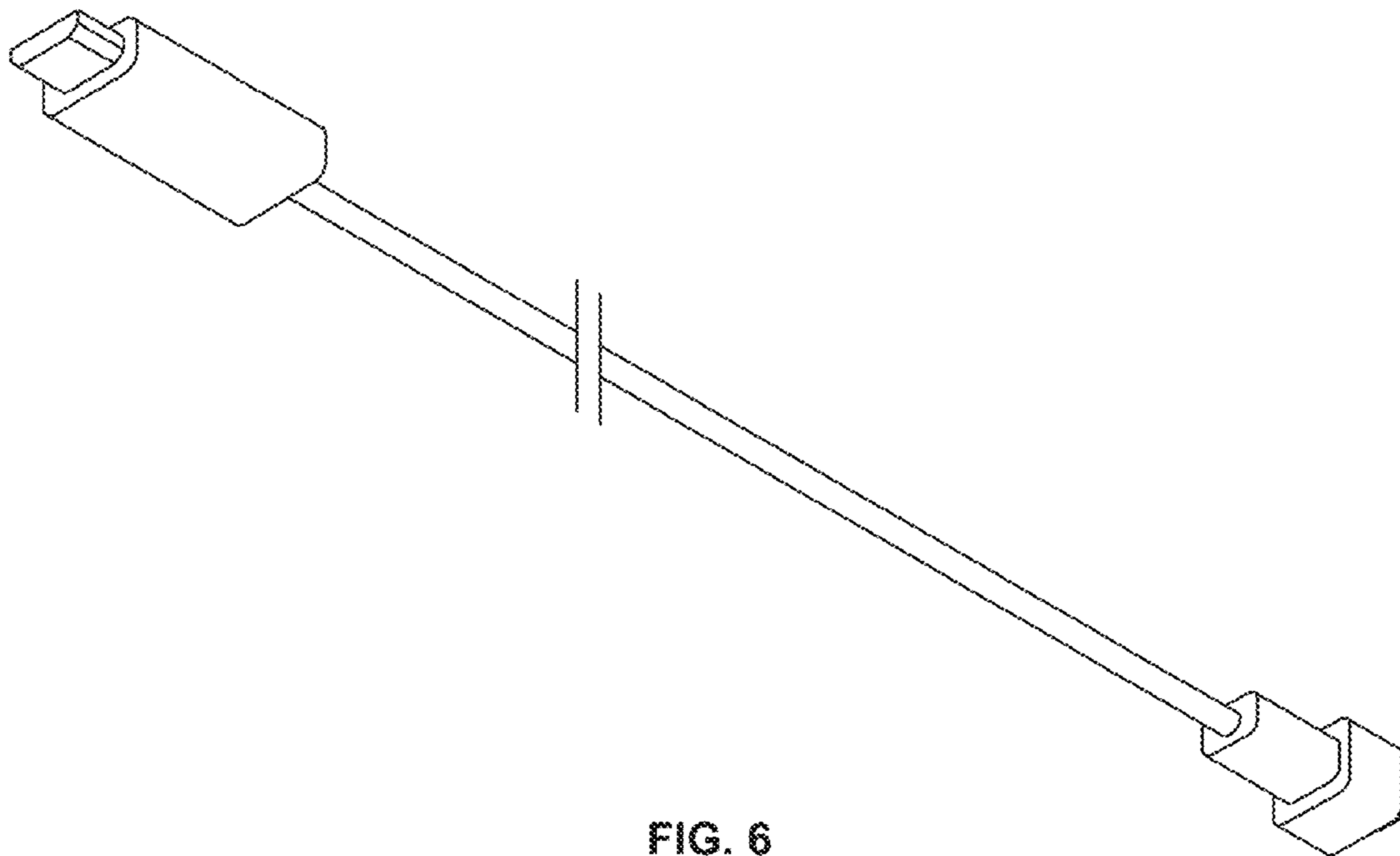


FIG. 6