



US00D701170S

(12) **United States Design Patent**  
**Sasaki**

(10) **Patent No.:** **US D701,170 S**  
(45) **Date of Patent:** **\*\* Mar. 18, 2014**

(54) **ELECTRIC CONNECTOR**

(75) Inventor: **Daisuke Sasaki, Yao (JP)**

(73) Assignee: **Hosiden Corporation, Osaka (JP)**

(\*\*) Term: **14 Years**

(21) Appl. No.: **29/399,593**

(22) Filed: **Aug. 16, 2011**

(30) **Foreign Application Priority Data**

Mar. 7, 2011 (JP) ..... 2011-005155  
Mar. 7, 2011 (JP) ..... 2011-005156

(51) **LOC (10) Cl.** ..... **13-03**

(52) **U.S. Cl.**  
USPC ..... **D13/147**

(58) **Field of Classification Search**  
USPC ..... D13/147, 154, 184, 199; 439/79,  
439/159-160, 260, 278, 325, 328-329, 381,  
439/395, 422, 492, 495, 499, 630, 862, 892,  
439/894

See application file for complete search history.

(56) **References Cited**

**U.S. PATENT DOCUMENTS**

D455,400 S \* 4/2002 Hisatomi et al. .... D13/147  
D497,594 S \* 10/2004 Hisamatsu et al. .... D13/147

D533,138 S \* 12/2006 Yoshikai ..... D13/147  
D541,750 S \* 5/2007 Yoshikai ..... D13/147  
D590,777 S \* 4/2009 Tanaka ..... D13/147  
D591,241 S \* 4/2009 Yang ..... D13/147  
D609,649 S \* 2/2010 Kai et al. .... D13/147  
D629,759 S \* 12/2010 Hara ..... D13/147  
D652,386 S \* 1/2012 Ozeki ..... D13/147  
D654,029 S \* 2/2012 Ozeki ..... D13/147

\* cited by examiner

*Primary Examiner* — Daniel Bui  
(74) *Attorney, Agent, or Firm* — The Webb Law Firm

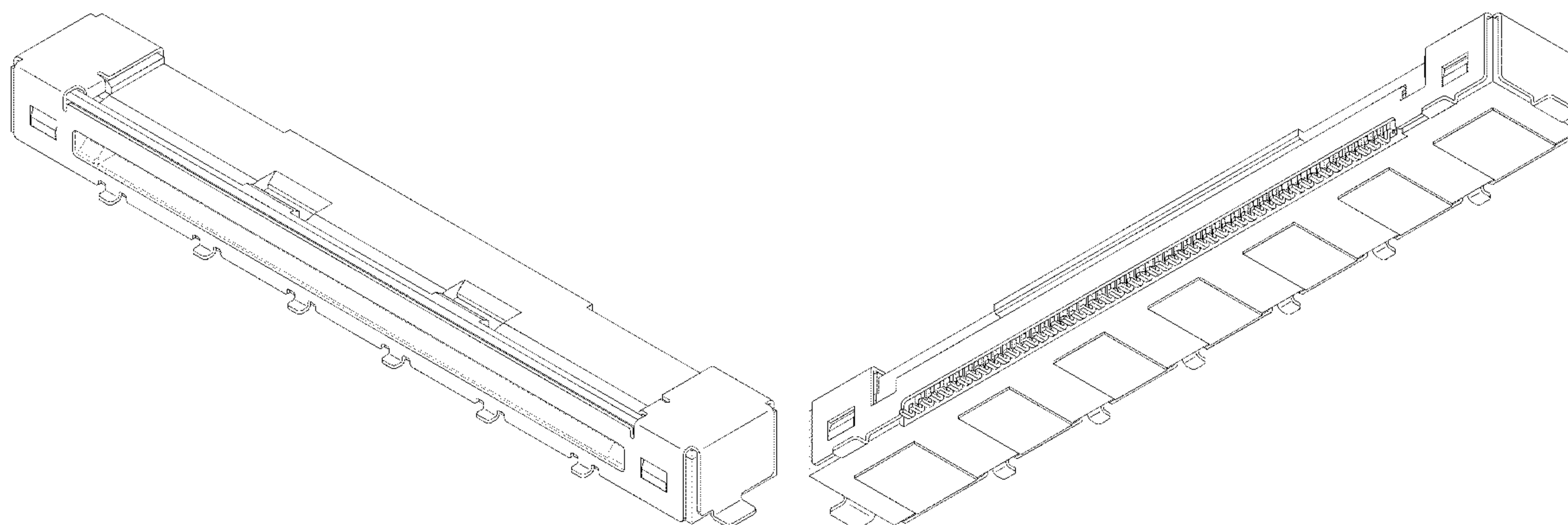
(57) **CLAIM**

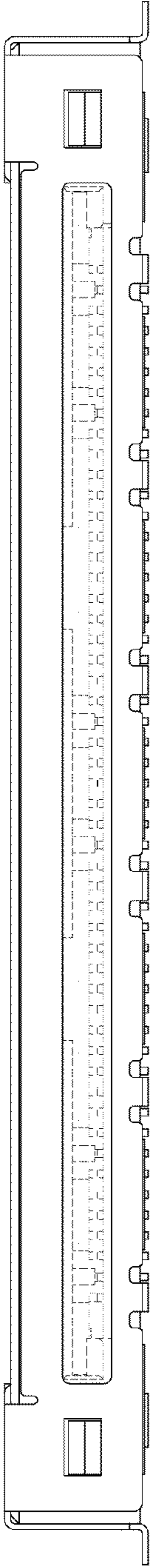
The ornamental design for an electric connector, as shown and described.

**DESCRIPTION**

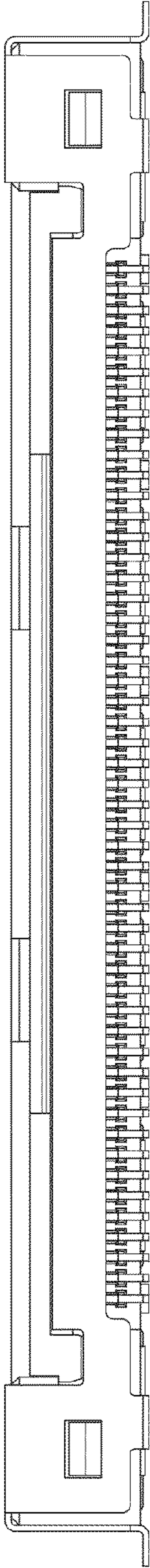
FIG. 1 is a front elevation view of an electric connector showing my new design;  
FIG. 2 is a rear elevation view thereof;  
FIG. 3 is a left side elevation view thereof, the right side being a mirror image;  
FIG. 4 is a top plan view thereof;  
FIG. 5 is a bottom plan view thereof;  
FIG. 6 is a top, right, and front perspective view thereof, on a larger scale; and,  
FIG. 7 is a bottom, left, and rear perspective view thereof.  
The broken lines of FIGS. 1 and 6 are included for the purpose of demonstrating unclaimed environment only and form no part of the claimed design.

**1 Claim, 5 Drawing Sheets**

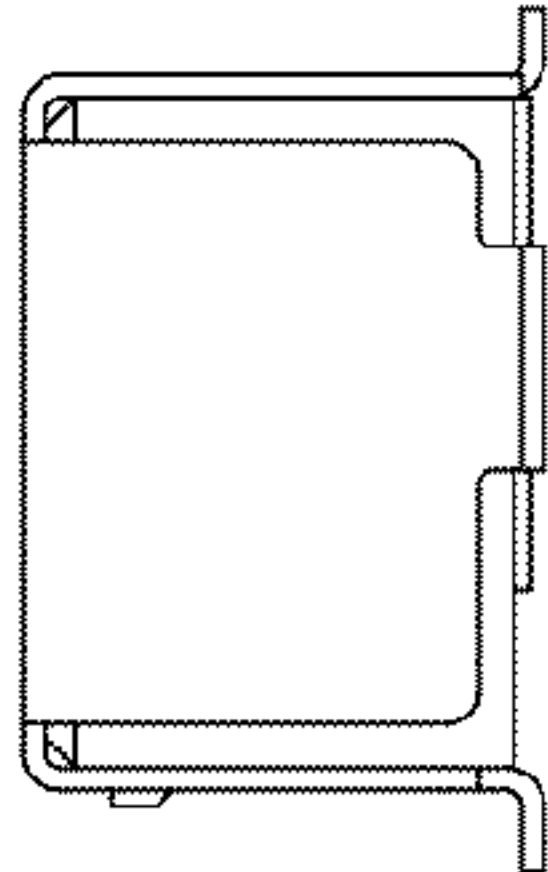




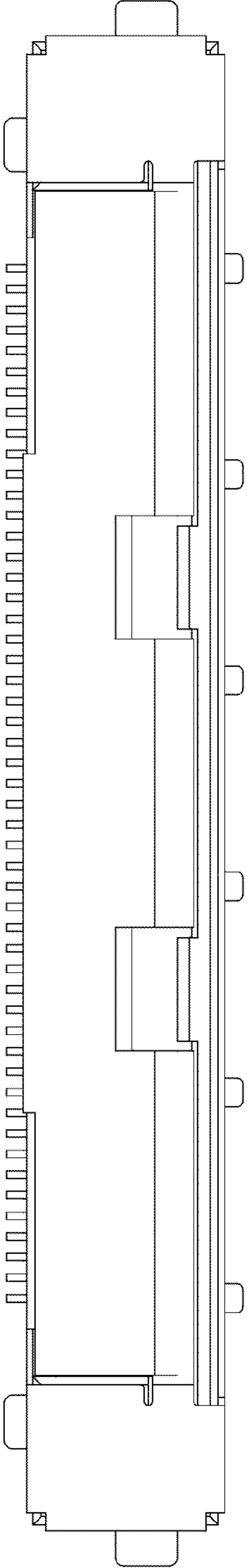
**FIG. 1**



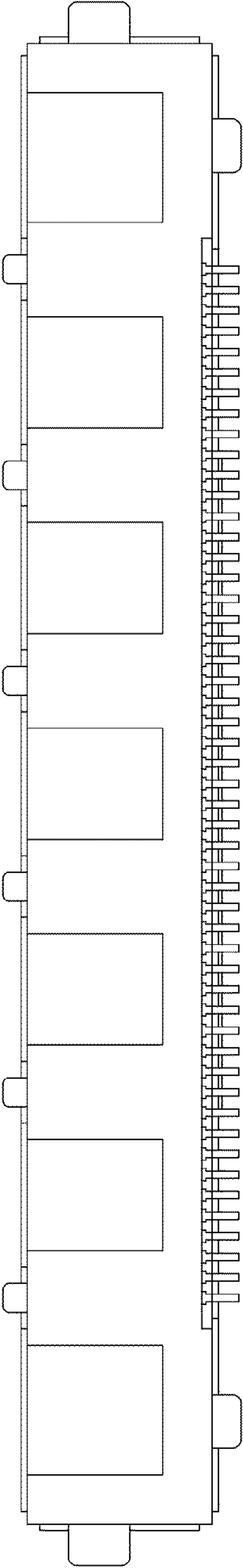
**FIG. 2**



**FIG. 3**



**FIG. 4**



**FIG. 5**

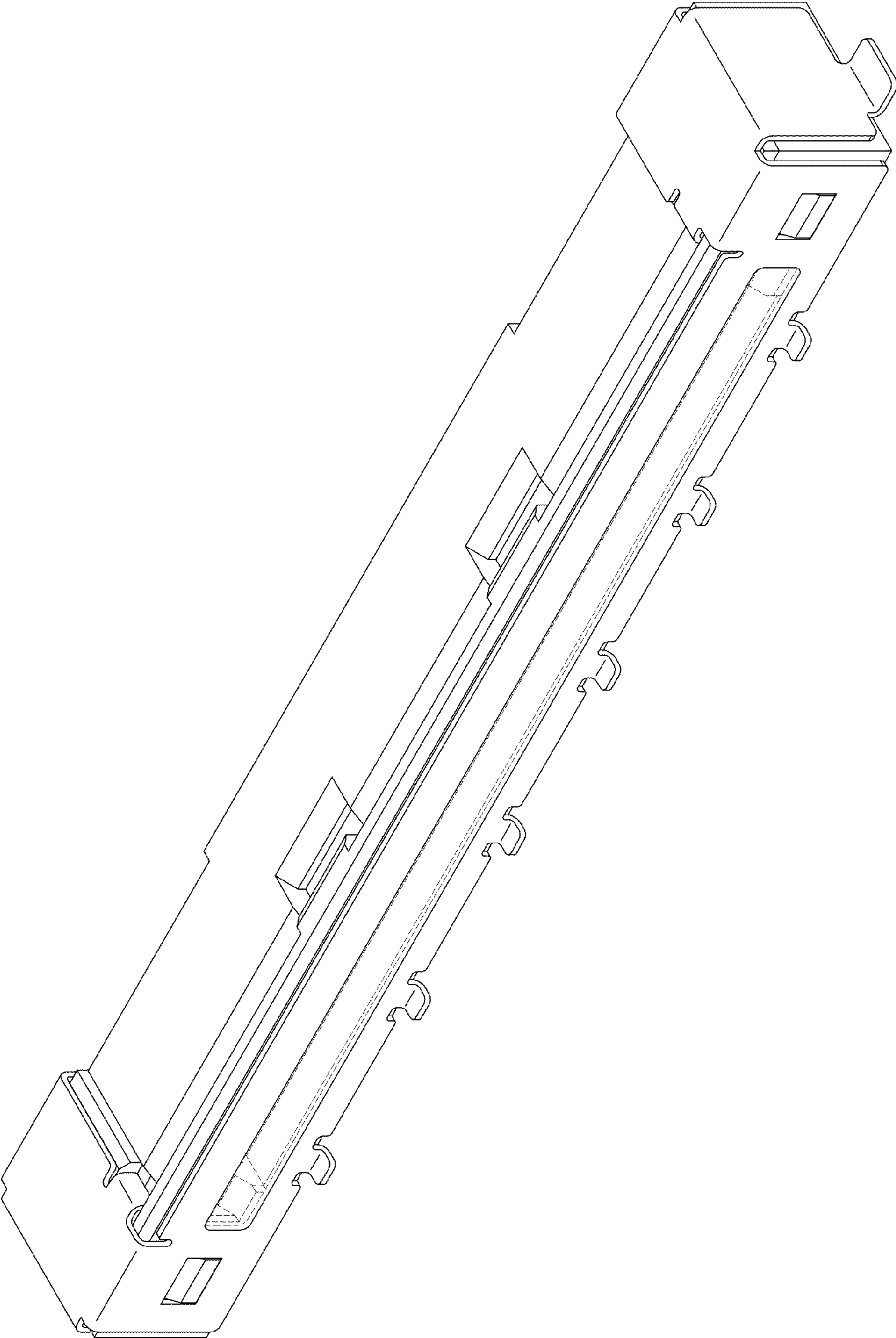


FIG. 6



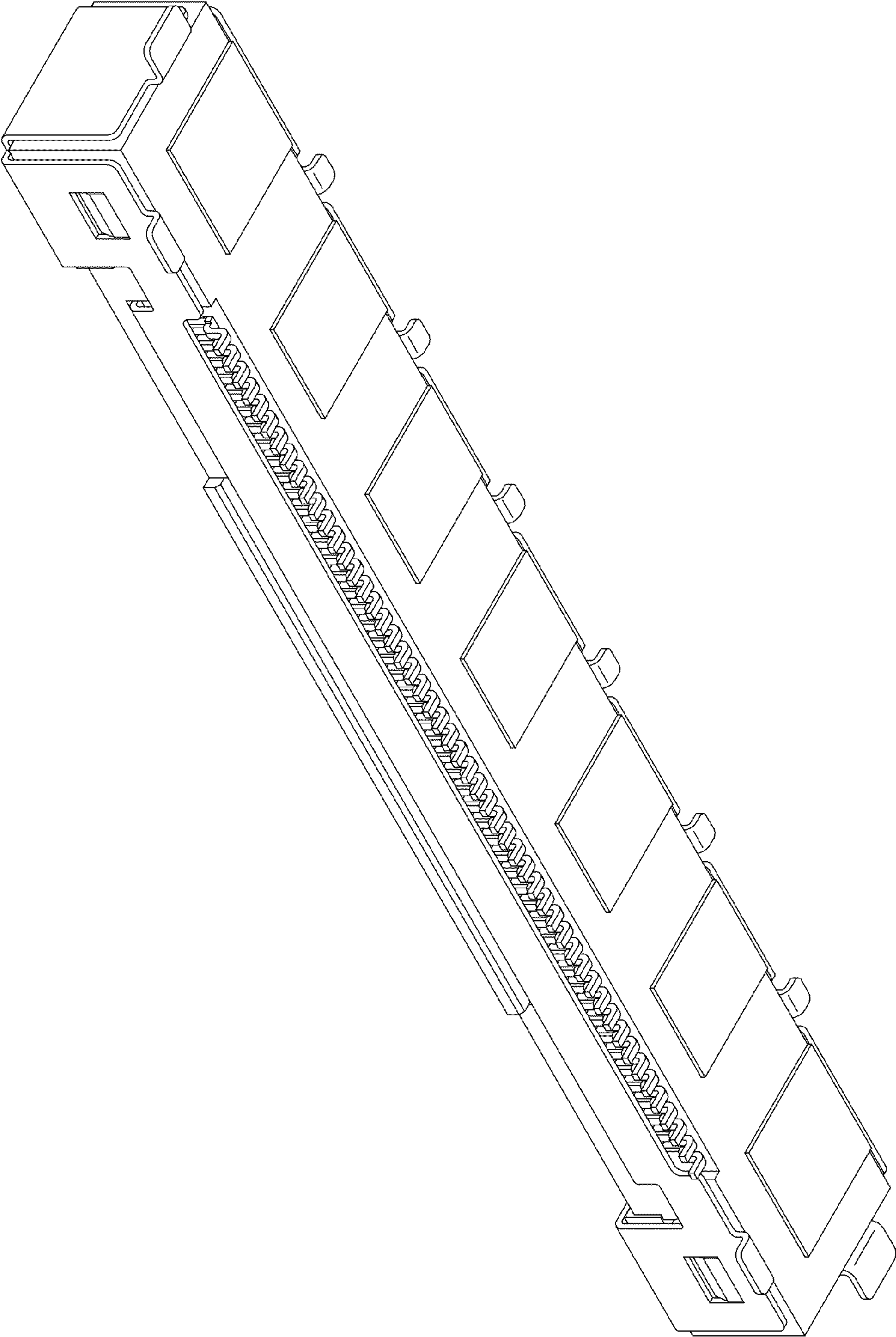


FIG. 7