



US00D701169S

(12) **United States Design Patent**
Brown

(10) **Patent No.:** **US D701,169 S**
(45) **Date of Patent:** **** Mar. 18, 2014**

(54) **RECONFIGURABLE PLUG ADAPTER**

(75) Inventor: **Gareth Brown**, Jersey City, NJ (US)

(73) Assignee: **Quirky, Inc.**, New York, NY (US)

(**) Term: **14 Years**

(21) Appl. No.: **29/397,199**

(22) Filed: **Jul. 13, 2011**

(51) **LOC (10) Cl.** **13-03**

(52) **U.S. Cl.**
USPC **D13/137.1**

(58) **Field of Classification Search**

USPC D13/137, 152, 164, 184, 137.1, 139.1,
D13/153, 137.2, 133, 137.4, 139.7, 130,
D13/128, 132, 138.2, 139.4, 139.8, 139.6,
D13/123, 160, 107; 361/683; D9/416, 423;
D24/174, 155

See application file for complete search history.

(56) **References Cited**

U.S. PATENT DOCUMENTS

2,134,355	A	7/1934	Caldwell	
3,437,976	A	4/1969	Nelson	
3,771,106	A	11/1973	Matsumoto et al.	
3,951,487	A	4/1976	Waldbrook	
4,583,798	A	4/1986	Blazowich	
5,292,257	A	3/1994	Milan	
5,484,299	A	1/1996	Schlessinger	
D367,643	S *	3/1996	Vardell	D13/139.7
D370,203	S *	5/1996	Hedrick	D13/138.1
D375,080	S *	10/1996	Sandor et al.	D13/138.2
D375,081	S *	10/1996	Sandor et al.	D13/139.1
D381,315	S	7/1997	Harold	
D401,220	S	11/1998	Dwight et al.	

(Continued)

FOREIGN PATENT DOCUMENTS

DE	20313536	12/2003
DE	102005046465	4/2007
EP	0702433	3/1996

OTHER PUBLICATIONS

<http://www.trendhunter.com/slideshow/27-inventive-power-outlets-from-slot-machine-po...> *

(Continued)

Primary Examiner — Robert M Spear

Assistant Examiner — Rhea Shields

(74) *Attorney, Agent, or Firm* — Cooley LLP

(57) **CLAIM**

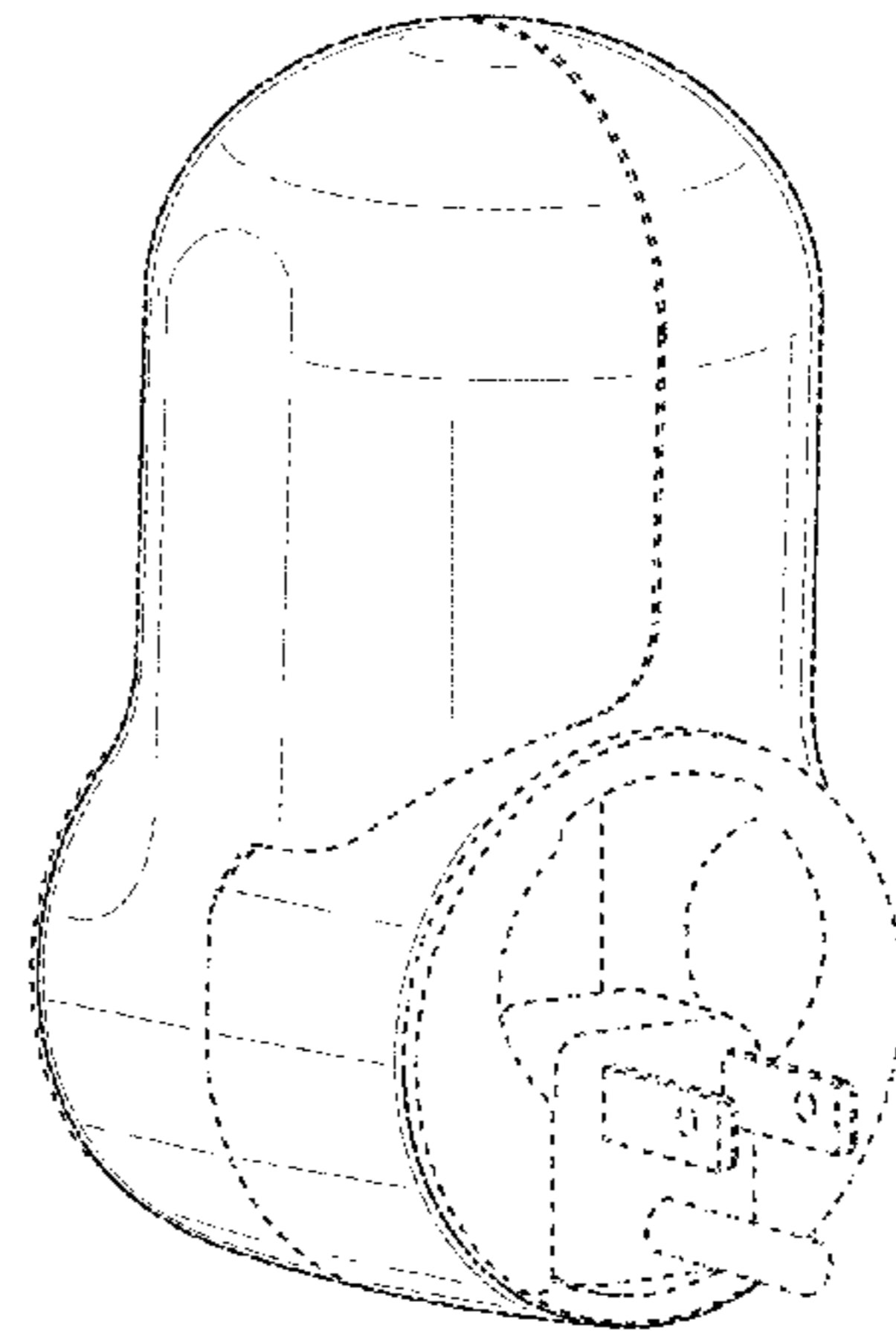
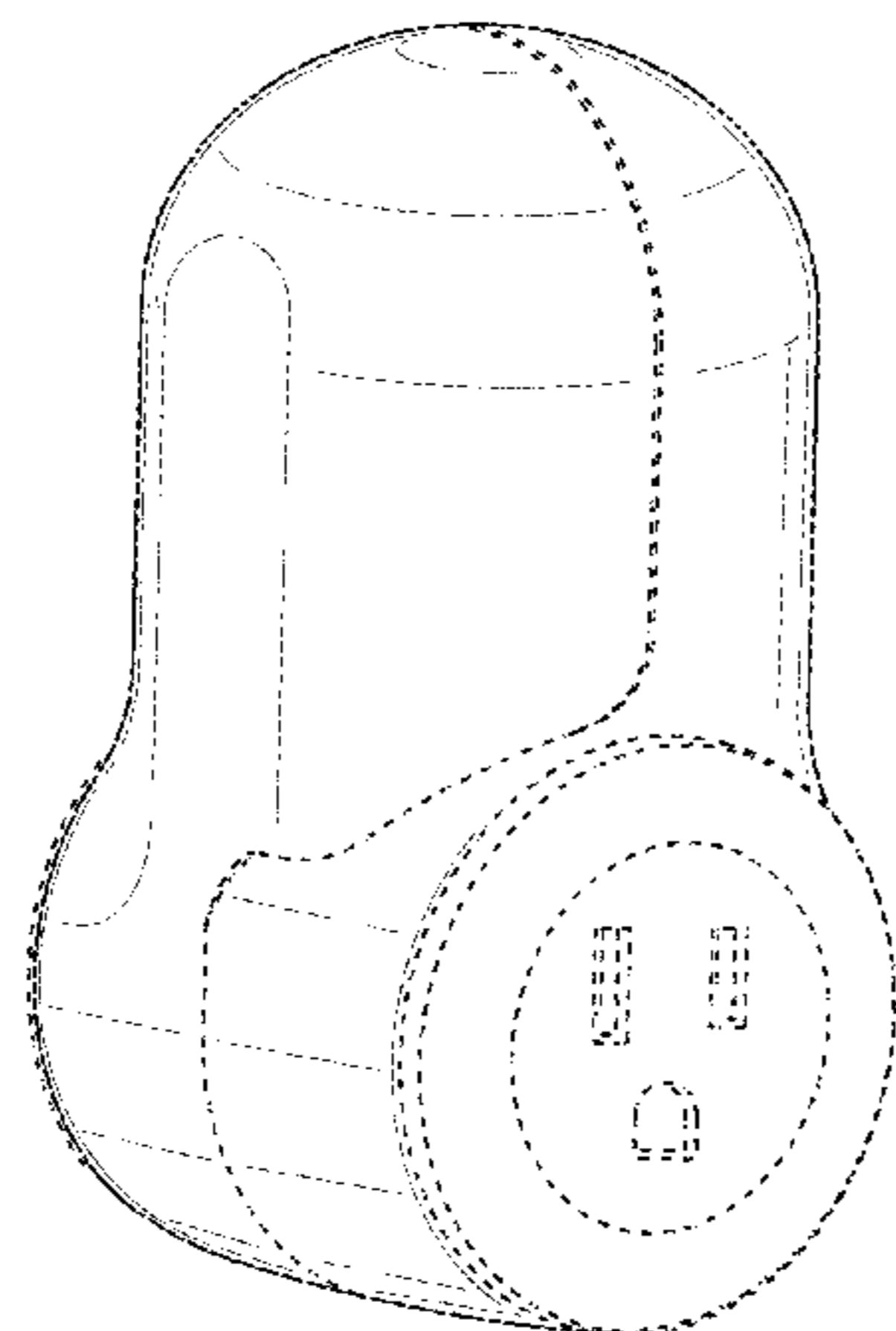
The ornamental design for a reconfigurable plug adapter, as shown and described.

DESCRIPTION

FIG. 1 is a front perspective view of a first embodiment of a reconfigurable plug adapter;
 FIG. 2 is a back perspective view thereof;
 FIG. 3 is a top view thereof;
 FIG. 4 is a bottom view thereof;
 FIG. 5 is front view thereof;
 FIG. 6 is a back view thereof;
 FIG. 7 is a left side view thereof;
 FIG. 8 is a right side view thereof;
 FIG. 9 is a front perspective view of a second embodiment of a reconfigurable plug adapter;
 FIG. 10 is a back perspective view thereof;
 FIG. 11 is a top view thereof;
 FIG. 12 is a bottom view thereof;
 FIG. 13 is front view thereof;
 FIG. 14 is a back view thereof;
 FIG. 15 is a left side view thereof; and,
 FIG. 16 is a right side view thereof.

The broken lines immediately adjacent the shaded areas represent the bounds of the claimed design while all other broken lines are directed to environment and are for illustrative purposes only; the broken lines form no part of the claimed design.

1 Claim, 16 Drawing Sheets



(56)

References Cited

U.S. PATENT DOCUMENTS

5,902,140 A 5/1999 Cheung et al.
 D416,860 S 11/1999 Seiwert et al.
 6,068,490 A 5/2000 Salzberg
 6,196,851 B1 3/2001 Gerard et al.
 D445,403 S 7/2001 Veino et al.
 6,793,499 B1 9/2004 Chen
 6,862,403 B2 3/2005 Pedrotti et al.
 D507,237 S 7/2005 Gregory
 D514,067 S 1/2006 Lee
 7,125,256 B2 10/2006 Gerard
 D542,228 S * 5/2007 Castro D13/162
 7,247,028 B2 7/2007 Schriefer
 7,264,514 B2 9/2007 Hsu et al.
 D556,689 S 12/2007 Lee et al.
 7,435,091 B1 10/2008 Cruz
 7,488,204 B2 2/2009 Hsu
 7,500,854 B2 3/2009 Gottstein
 D597,948 S 8/2009 Bizzell

7,614,892 B2 * 11/2009 Klant et al. 439/172
 7,771,239 B1 8/2010 Hsiao
 7,811,136 B1 10/2010 Hsieh et al.
 7,824,185 B2 11/2010 Chien
 7,874,856 B1 1/2011 Schriefer et al.
 D633,045 S 2/2011 Cullen et al.
 D640,199 S 6/2011 Wilson
 8,011,930 B2 9/2011 Lee et al.
 D651,174 S 12/2011 Le Clair
 8,118,616 B1 2/2012 Clark
 8,157,574 B2 4/2012 Hsiao
 D667,795 S * 9/2012 Zien et al. D13/139.4
 2005/0032396 A1 2/2005 Huang
 2006/0068608 A1 3/2006 McFadden
 2006/0234561 A1 10/2006 Tanaka

OTHER PUBLICATIONS

International Search Report for International Application No. PCT/
 US2011/051522, mailed Feb. 28, 2012.

* cited by examiner

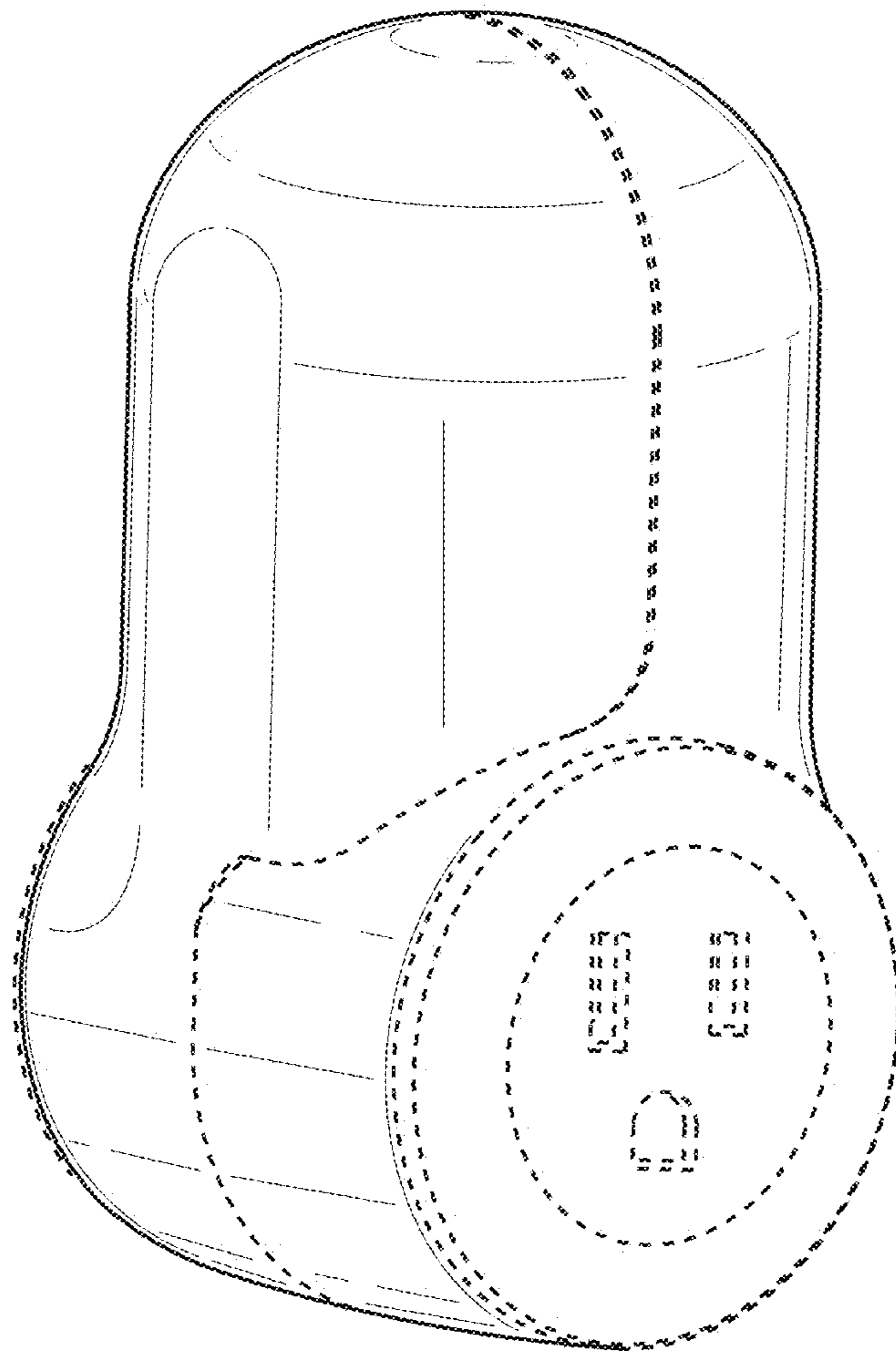


FIG. 1

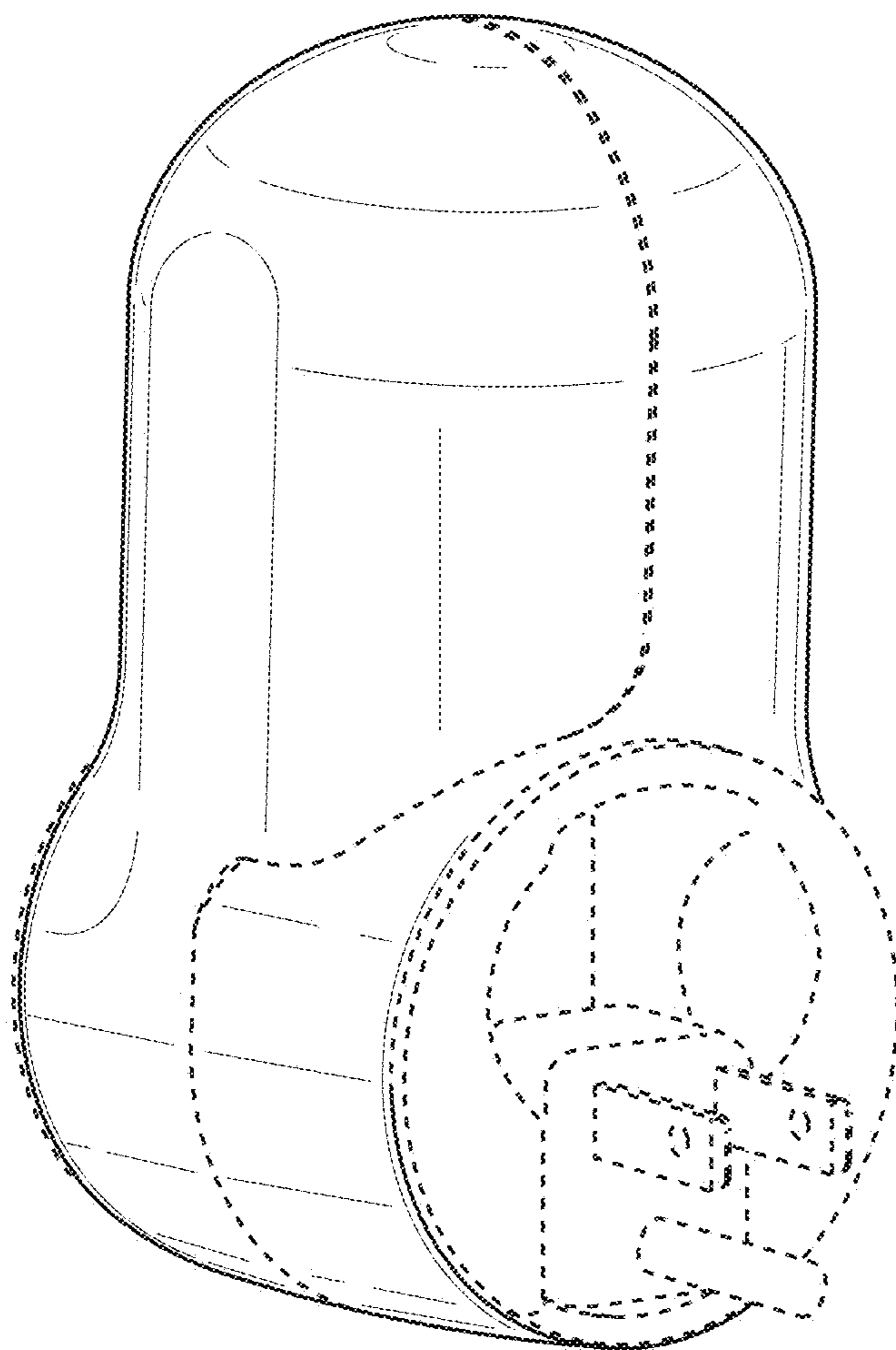


FIG.2

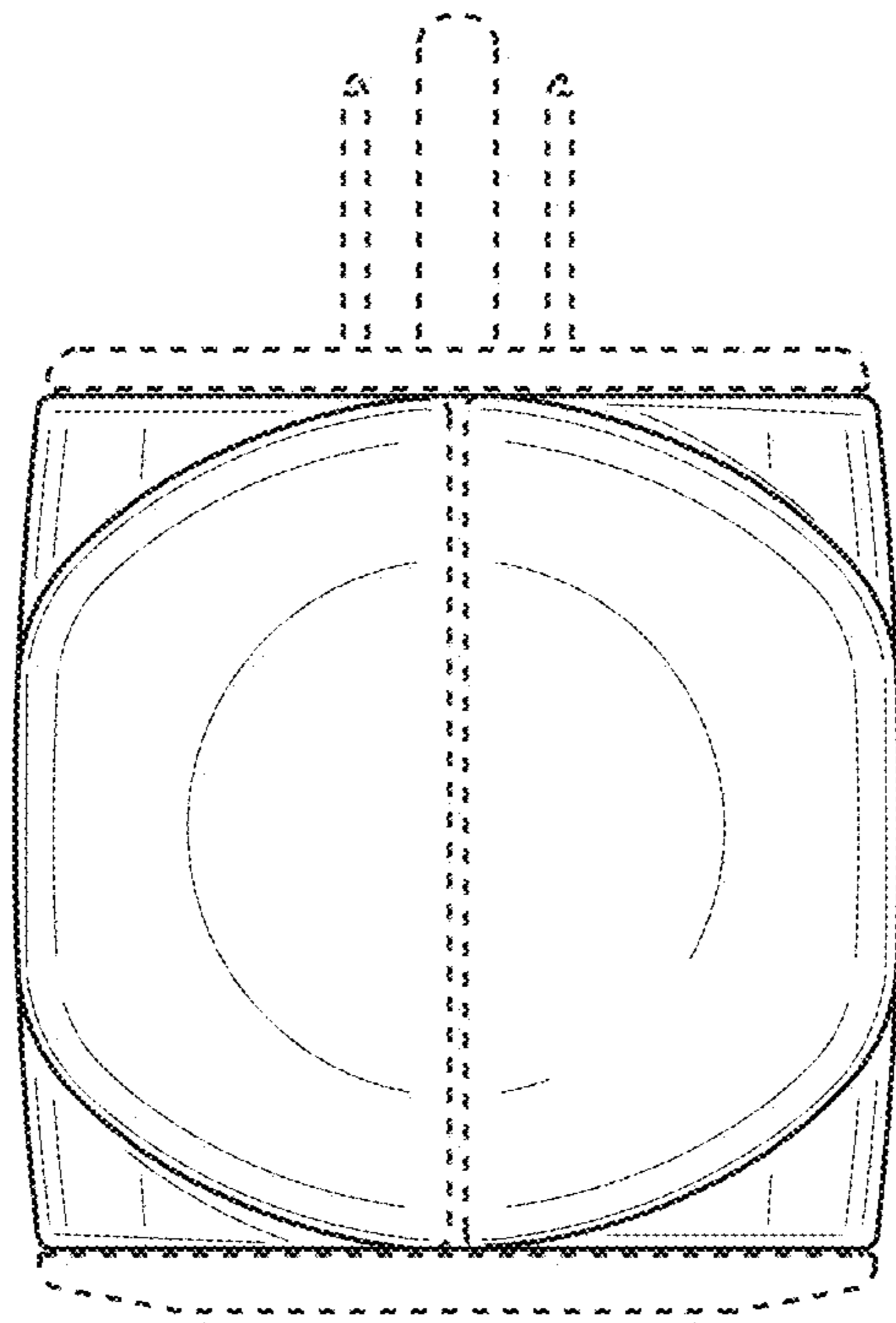


FIG.3

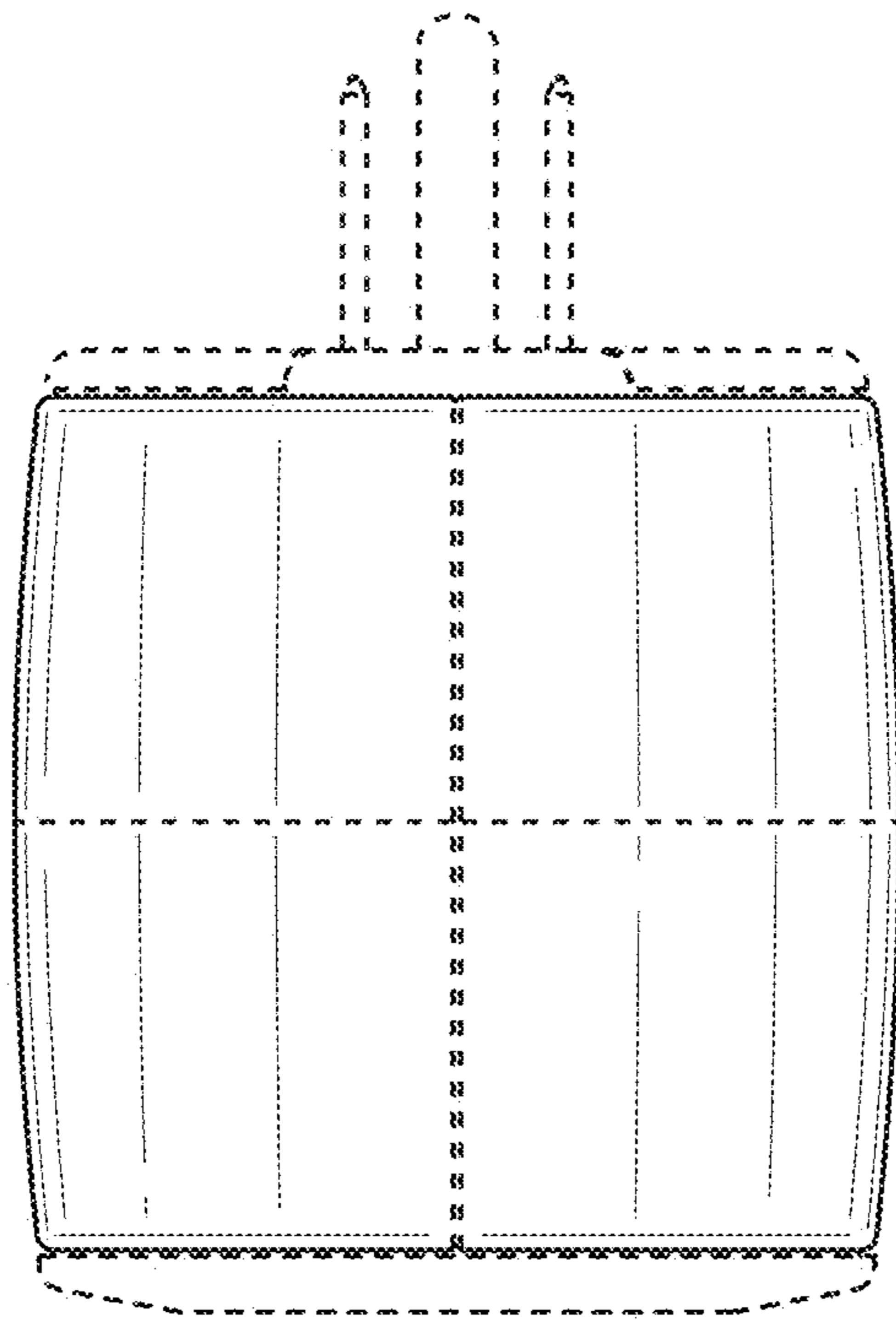


FIG. 4

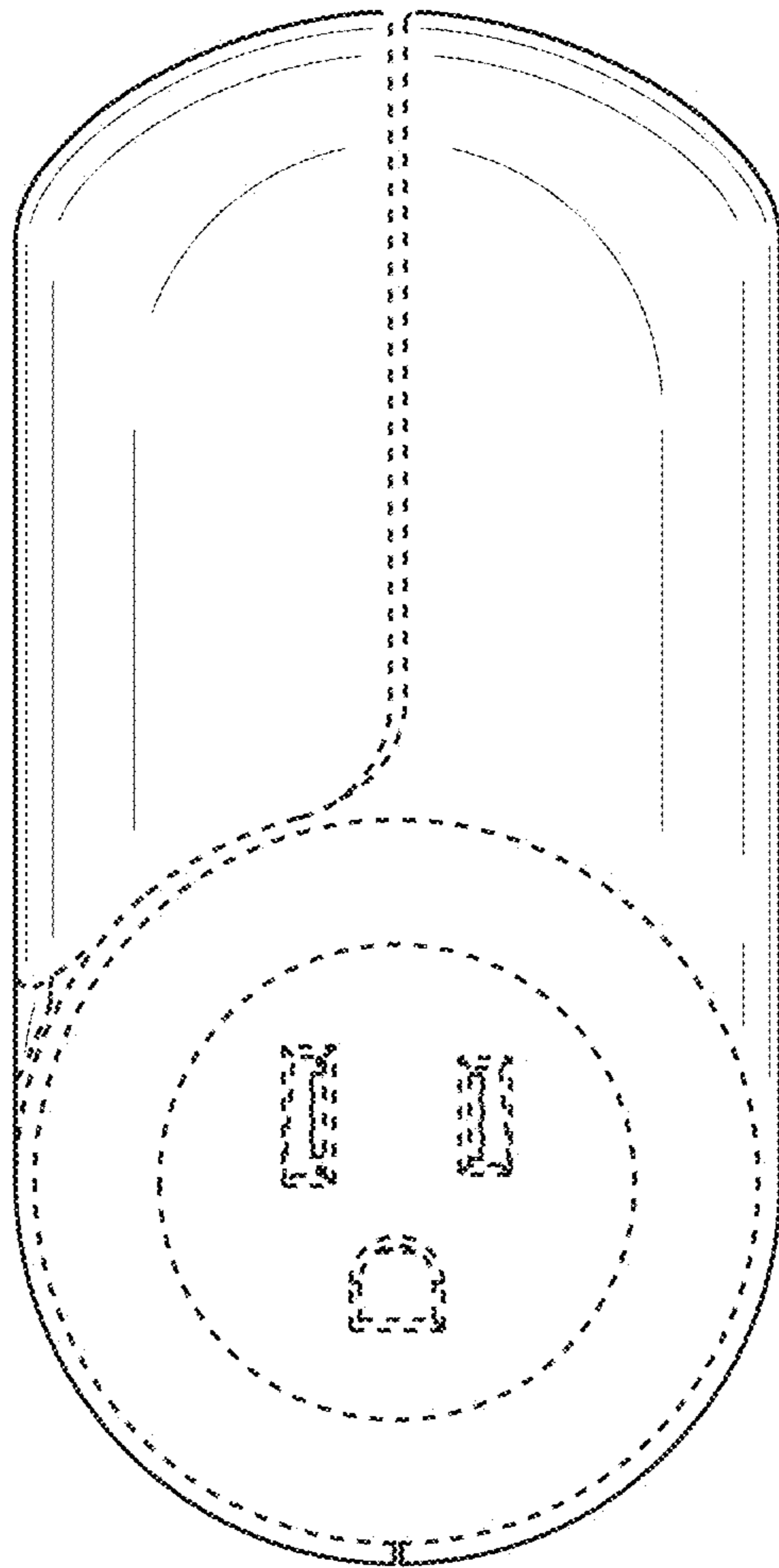


FIG. 5

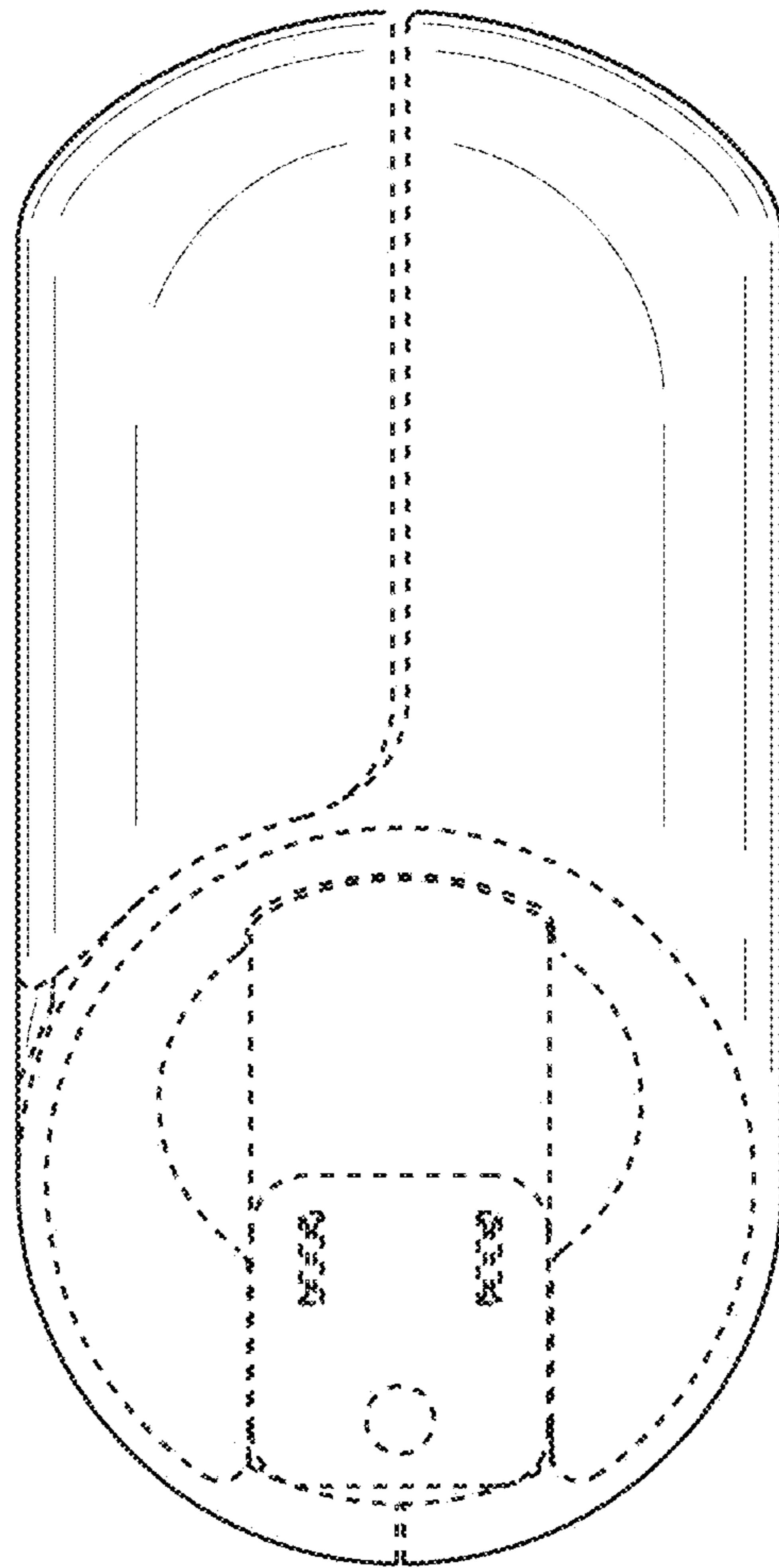


FIG. 6

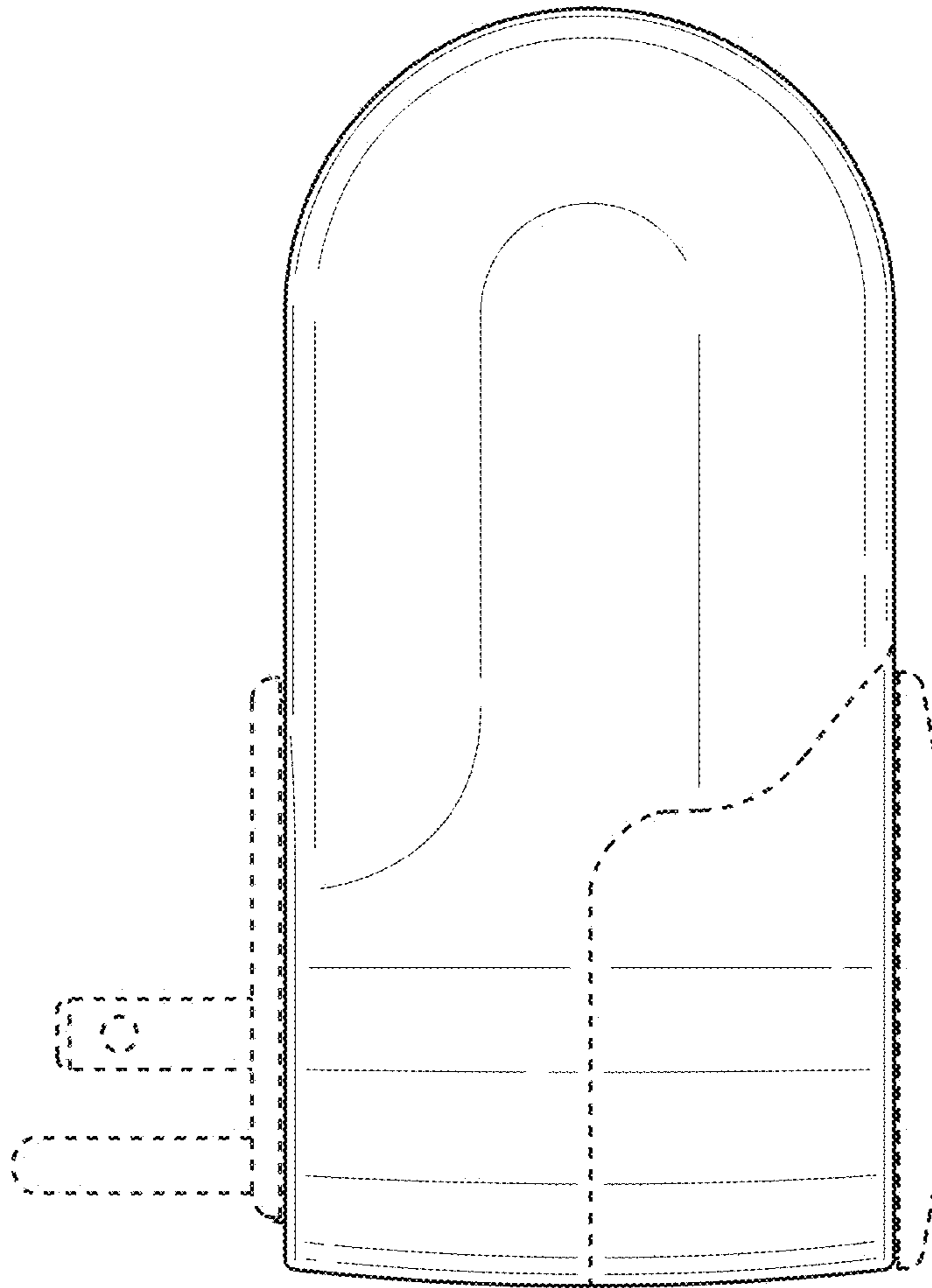


FIG.7

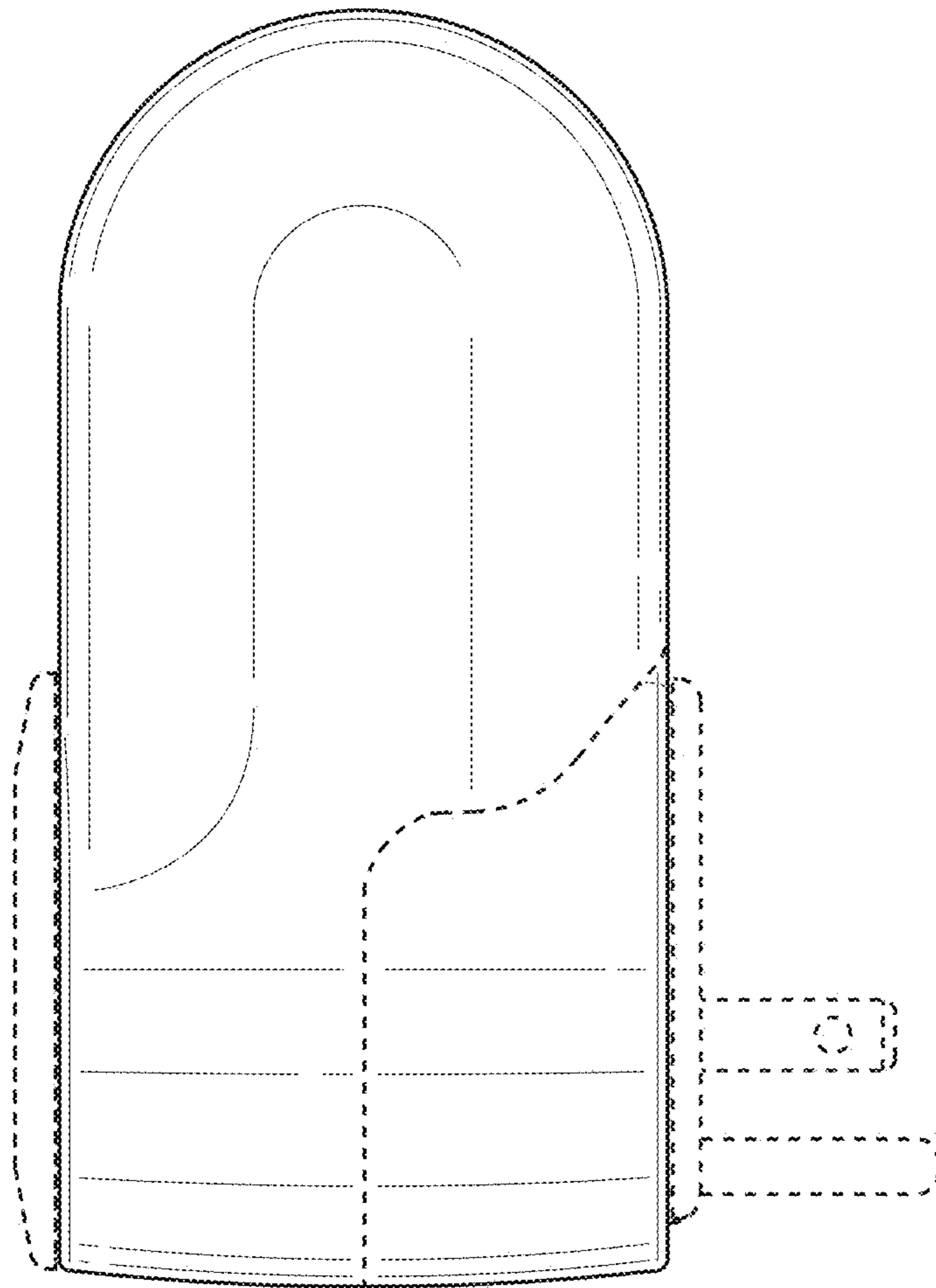


FIG. 8

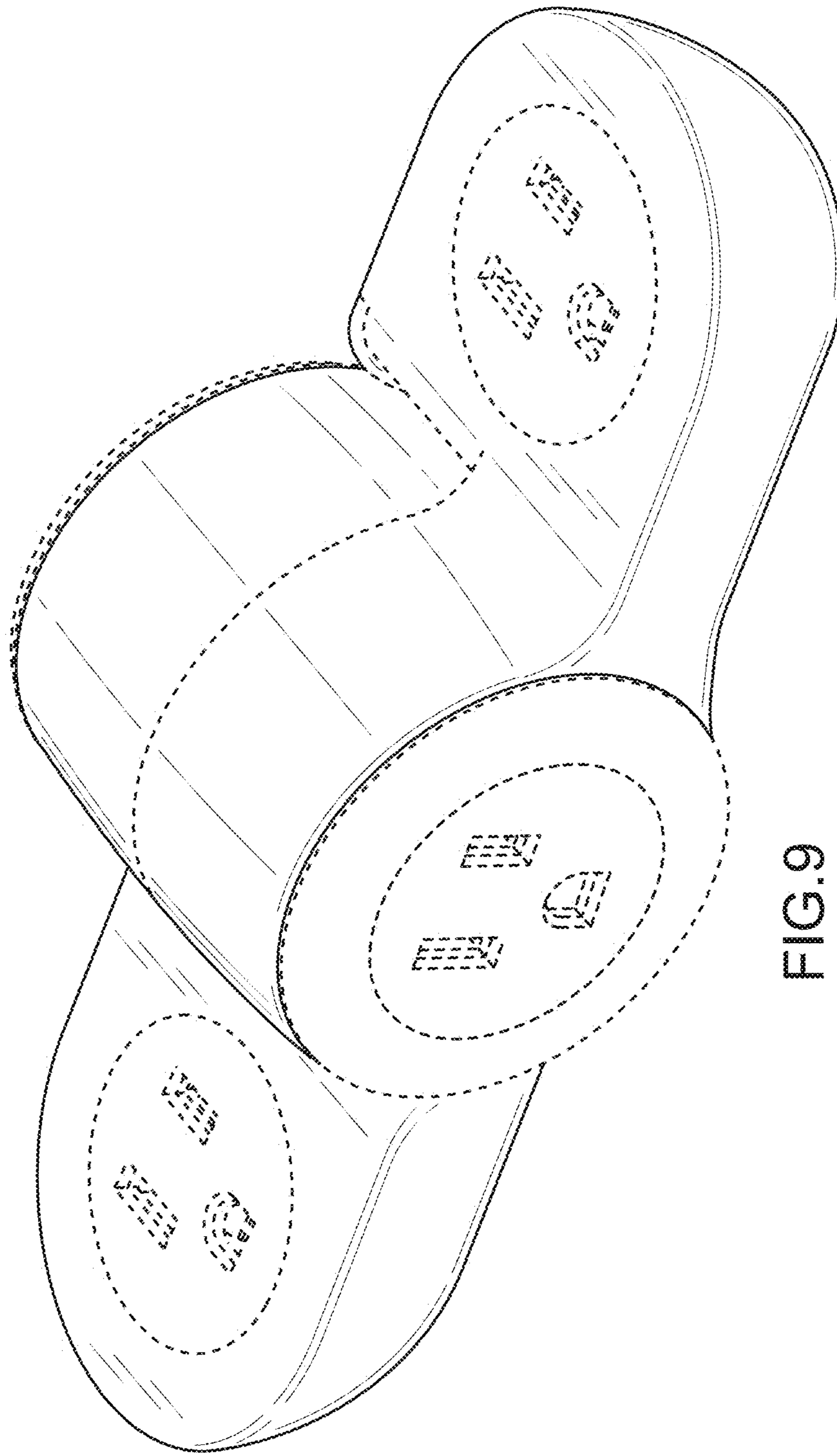


FIG. 9

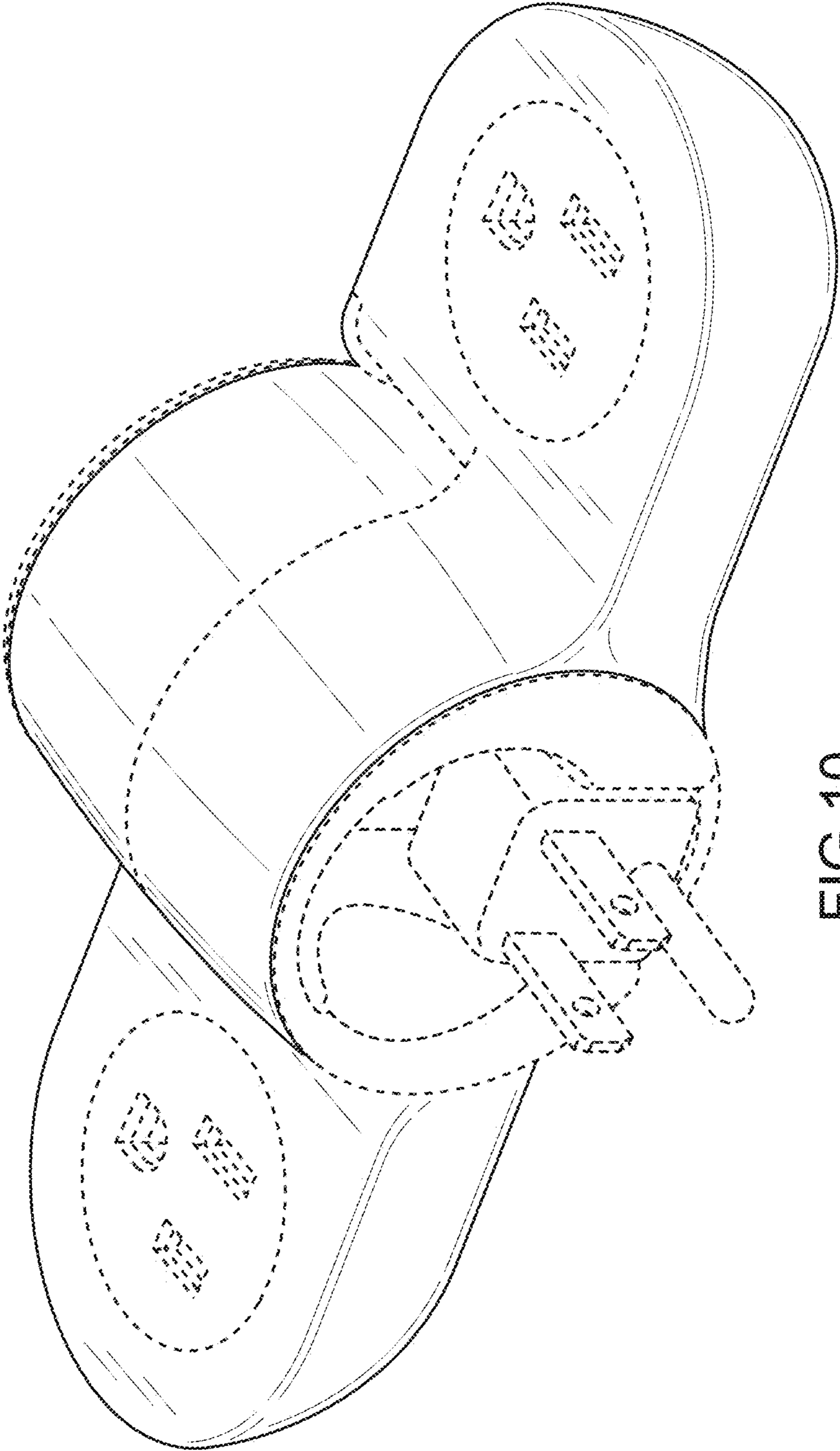


FIG.10

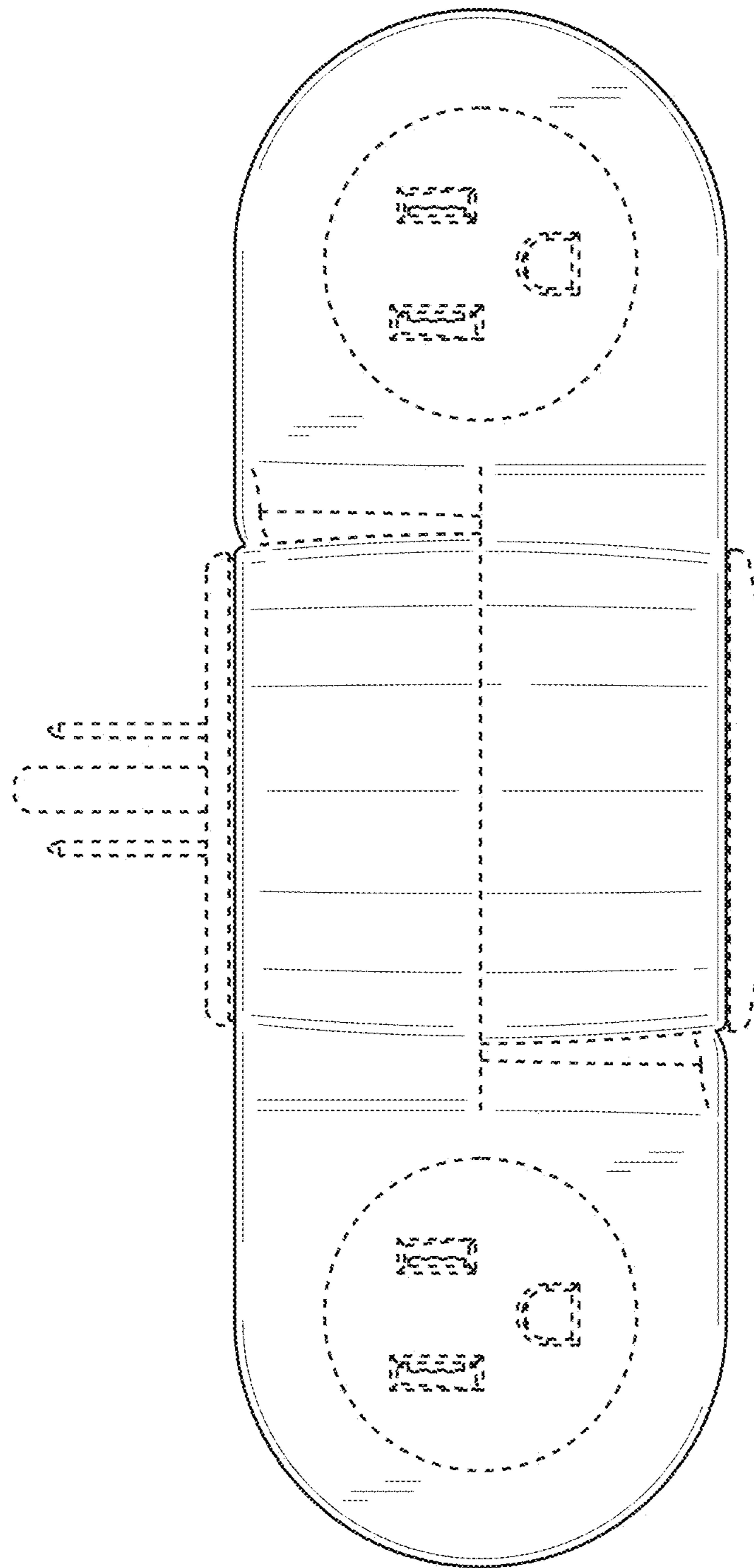


FIG. 11

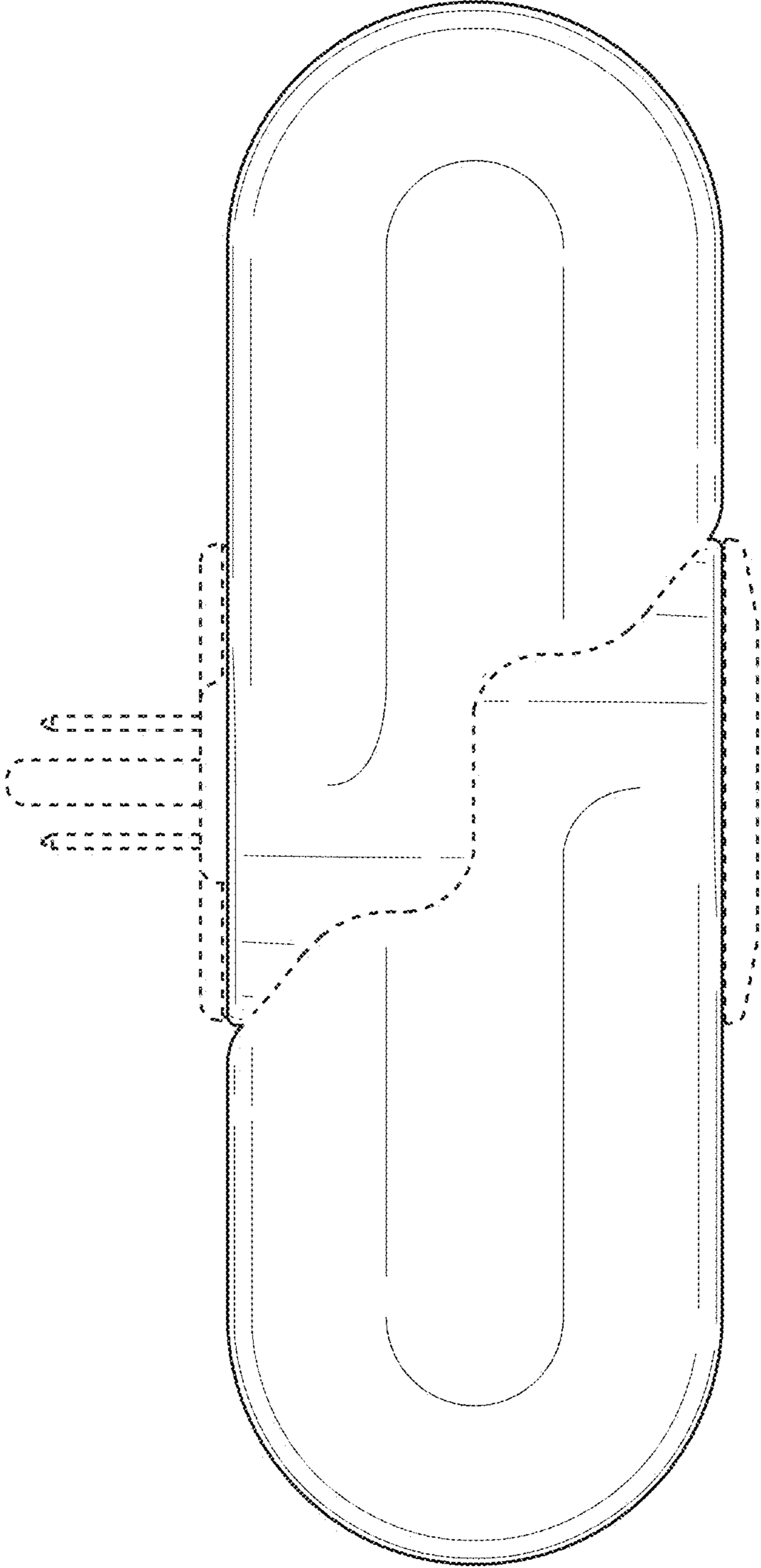


FIG.12

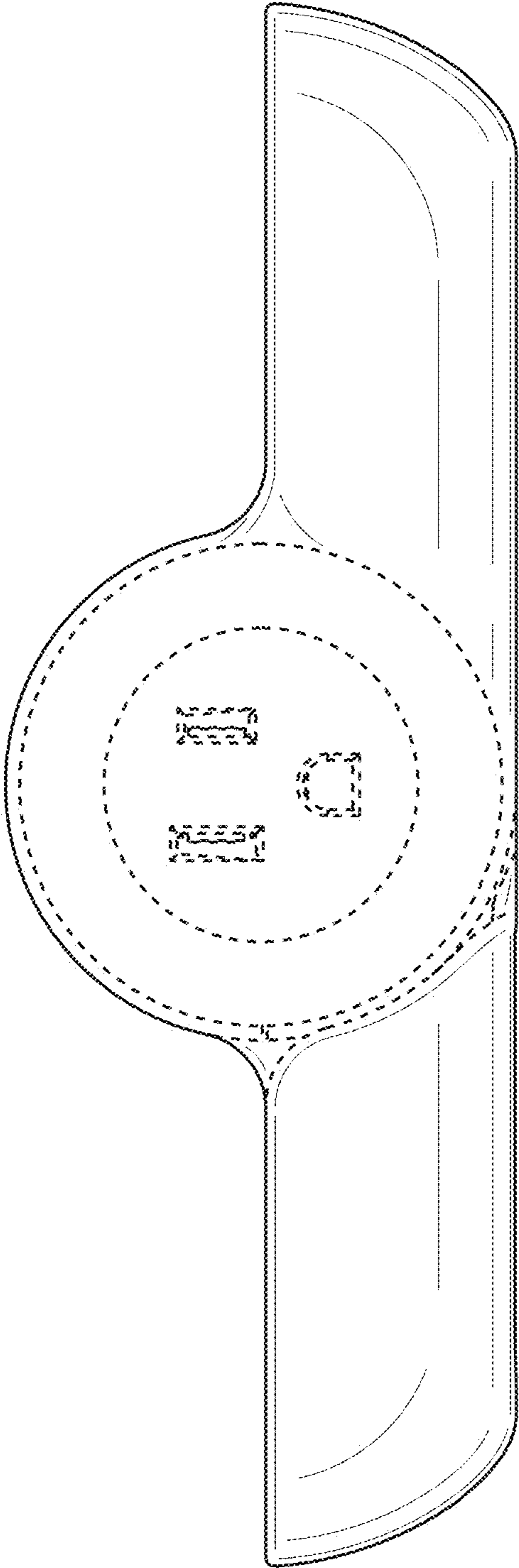


FIG.13

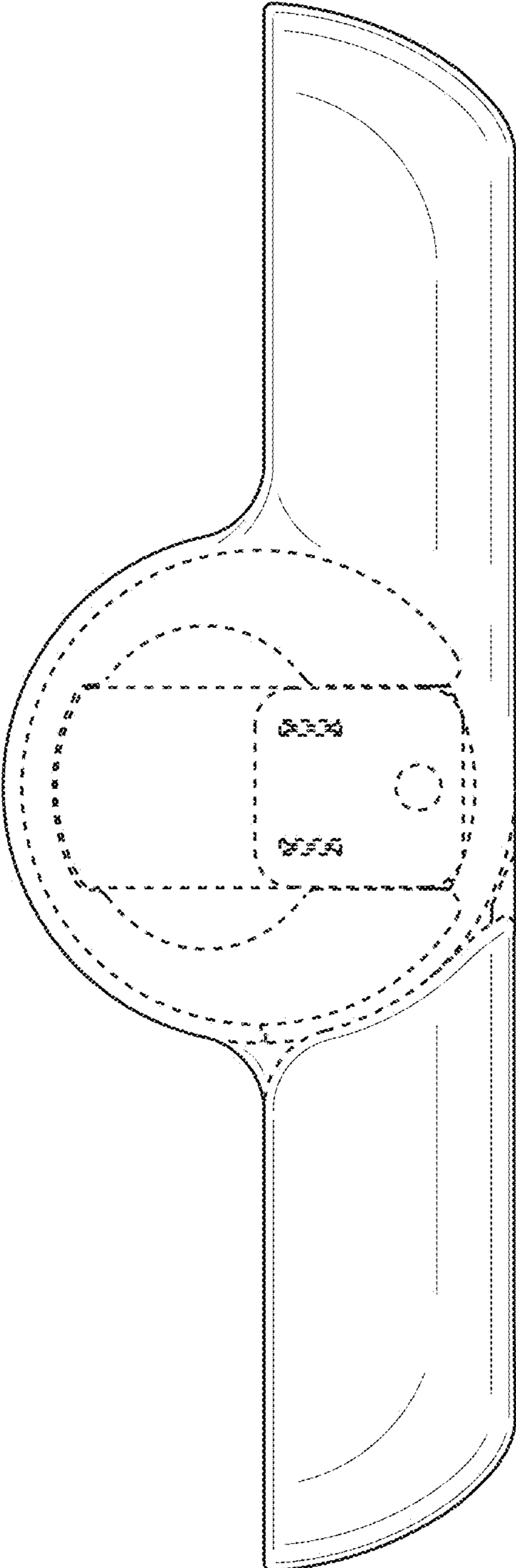


FIG.14

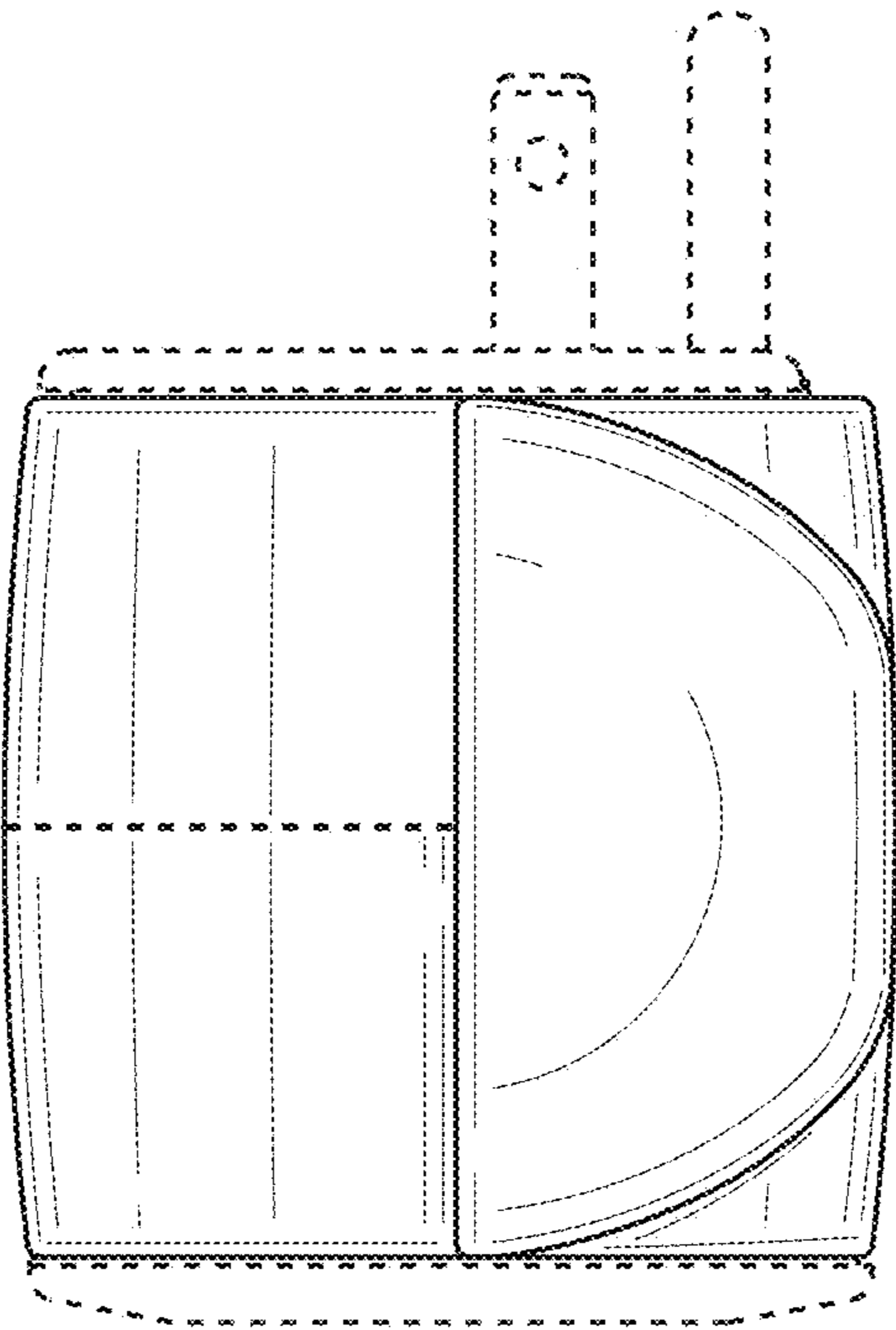


FIG.15

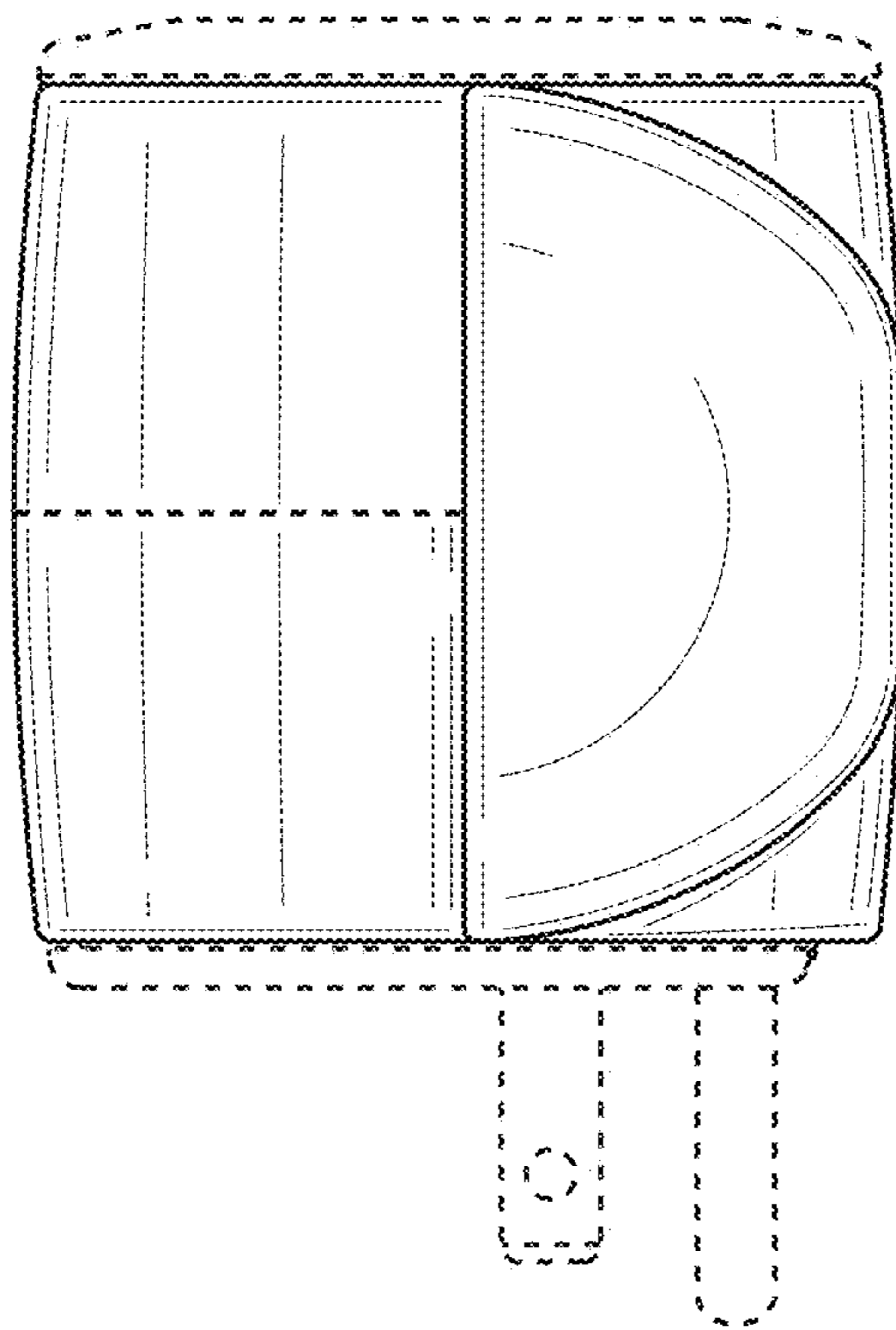


FIG.16