



US00D701168S

(12) **United States Design Patent**
Hiemer

(10) **Patent No.:** **US D701,168 S**
(45) **Date of Patent:** **** Mar. 18, 2014**

(54) **ACTUATOR**

(75) Inventor: **Andreas Hiemer**, Schubelbach (CH)

(73) Assignee: **Sulzer Mixpac AG**, Haag (CH)

(**) Term: **14 Years**

(21) Appl. No.: **29/422,063**

(22) Filed: **May 16, 2012**

(51) **LOC (10) Cl.** **13-01**

(52) **U.S. Cl.**
USPC **D13/112**

(58) **Field of Classification Search**

USPC D13/101, 110, 112, 113, 118, 122, 158,
D13/174, 184, 199; D15/5, 148, 149, 199;
60/527, 528; 74/83, 89.15, 112, 411.5,
74/490.09; 200/501, 505, 537, 548, 557;
310/10, 68, 80, 83, 85, 89, 109, 112,
310/300; 475/149, 249, 250

See application file for complete search history.

(56) **References Cited**

U.S. PATENT DOCUMENTS

5,127,228 A * 7/1992 Swenson 60/527
5,338,076 A * 8/1994 Tanaka 292/336.3
D412,825 S * 8/1999 Hlavaty et al. D8/331
6,028,384 A * 2/2000 Billman et al. 310/83
D554,164 S * 10/2007 Naruse et al. D15/143

D571,290 S * 6/2008 Gebhart et al. D13/112
D571,291 S * 6/2008 Jabaji D13/112
D609,194 S * 2/2010 Lin et al. D13/158
D620,961 S * 8/2010 Iversen D15/143
D650,401 S * 12/2011 Fukano et al. D15/143

* cited by examiner

Primary Examiner — Derrick Holland

(74) *Attorney, Agent, or Firm* — K&L Gates LLP

(57) **CLAIM**

The ornamental design for an actuator, as shown and described.

DESCRIPTION

FIG. 1 illustrates a right side view of the actuator showing my new design;
FIG. 2 illustrates a front elevated view thereof;
FIG. 3 illustrates a rear elevated view thereof;
FIG. 4 illustrates a top view thereof;
FIG. 5 illustrates a bottom view thereof;
FIG. 6 illustrates a left side view thereof;
FIG. 7 illustrates a rear perspective view thereof;
FIG. 8 illustrates a front perspective view thereof; and,
FIG. 9 illustrates a front perspective view thereof, shown in environmental use.

The broken lines shown represent unclaimed subject matter and form no part of the claimed design.

1 Claim, 9 Drawing Sheets

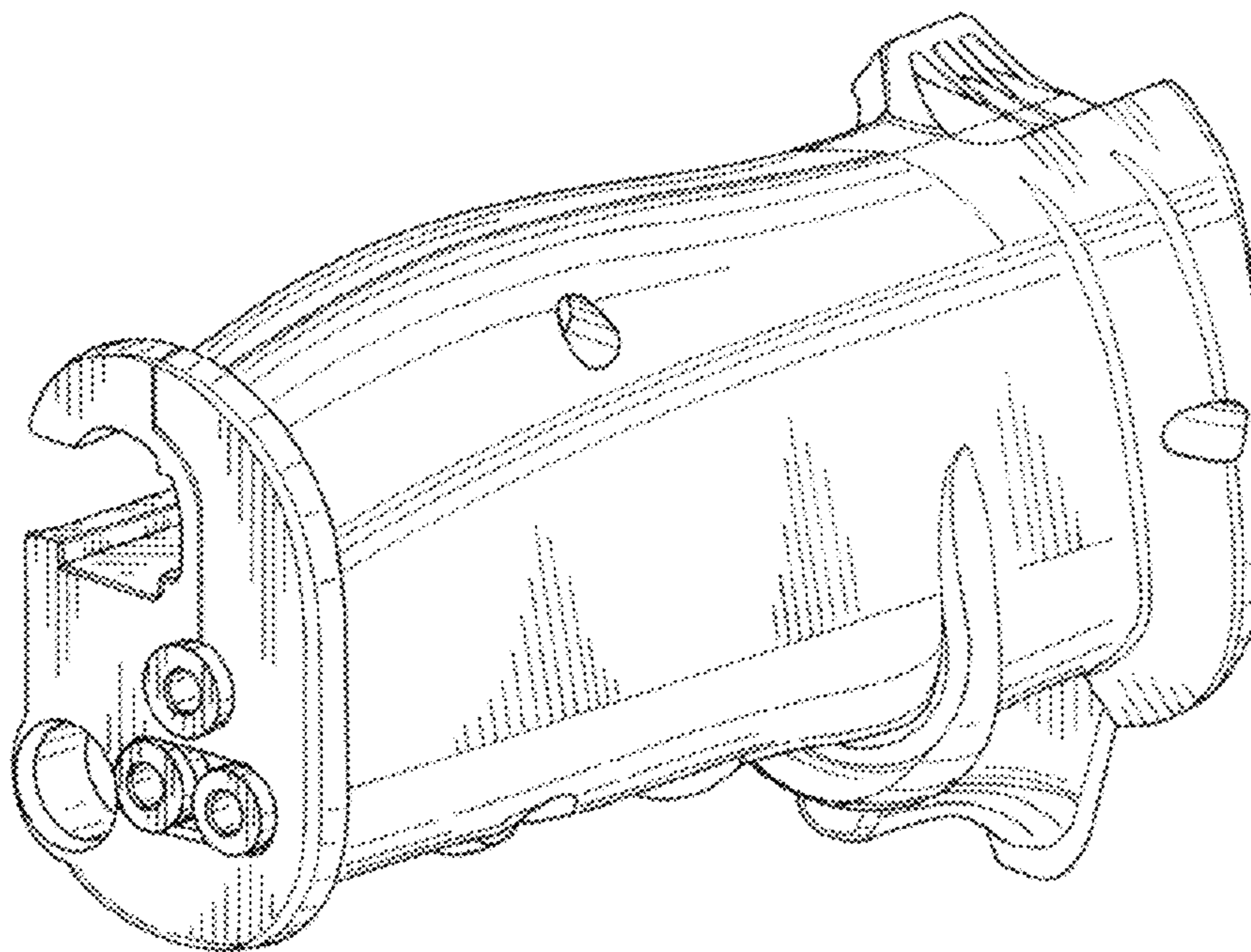


FIG. 1

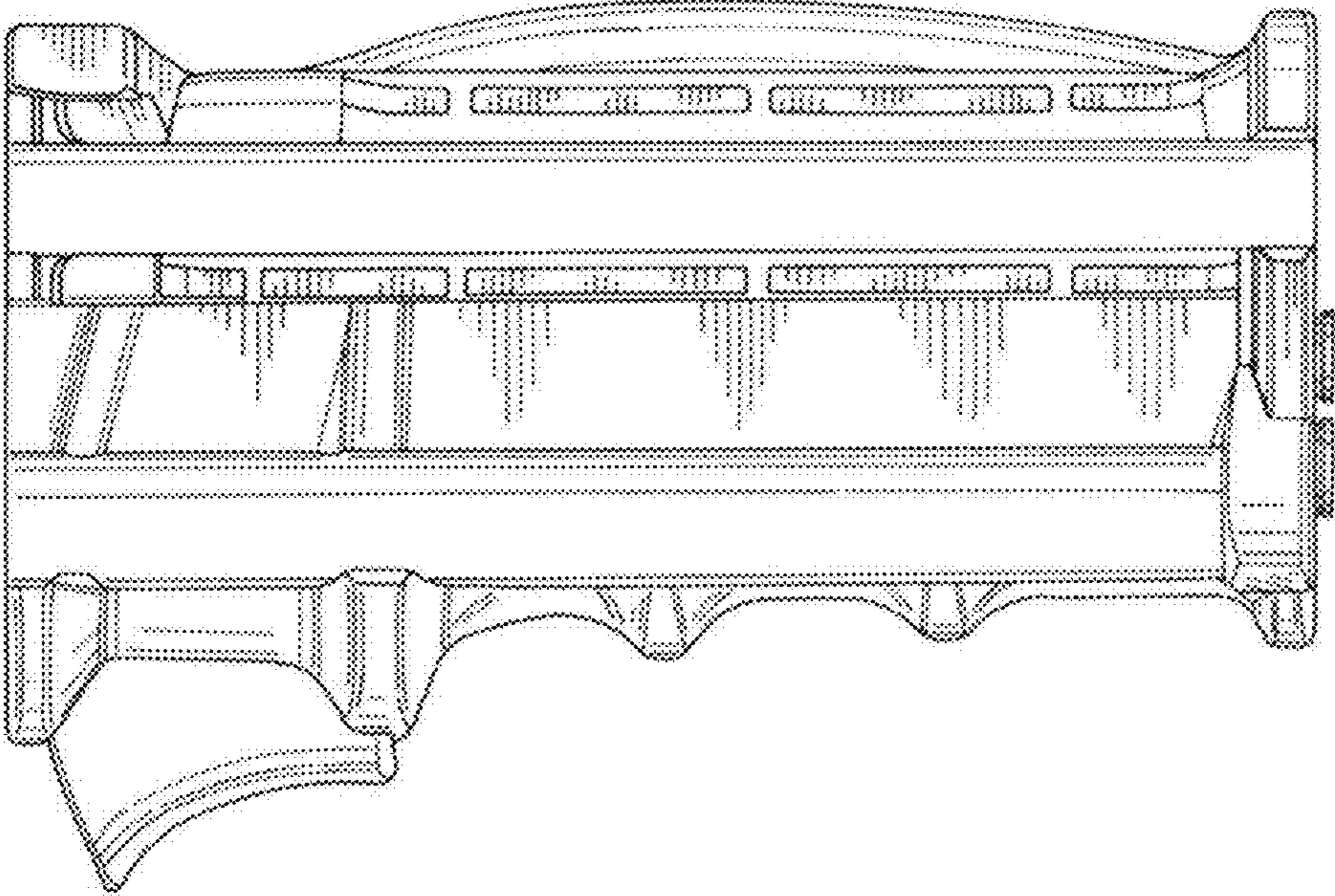


FIG. 2

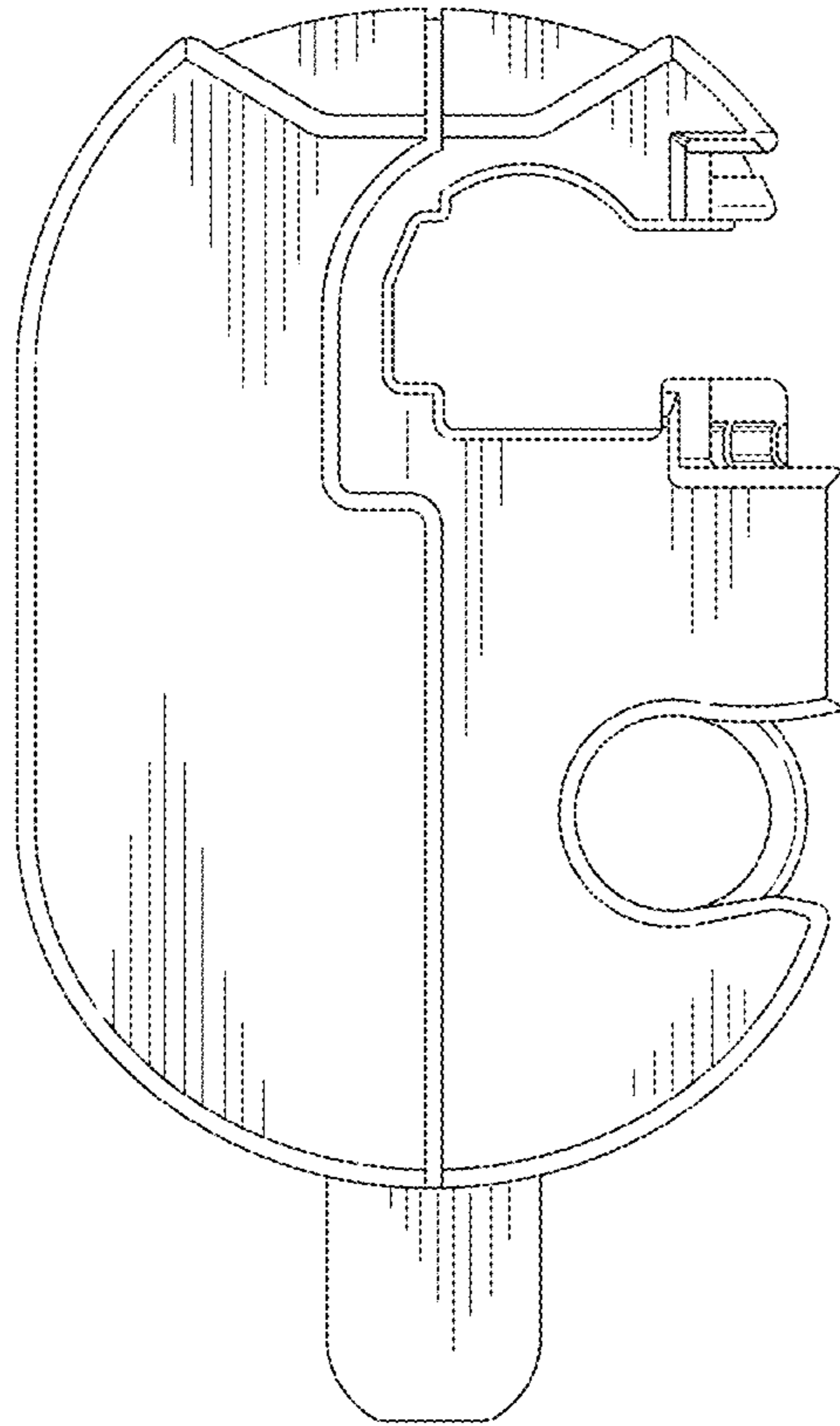


FIG. 3

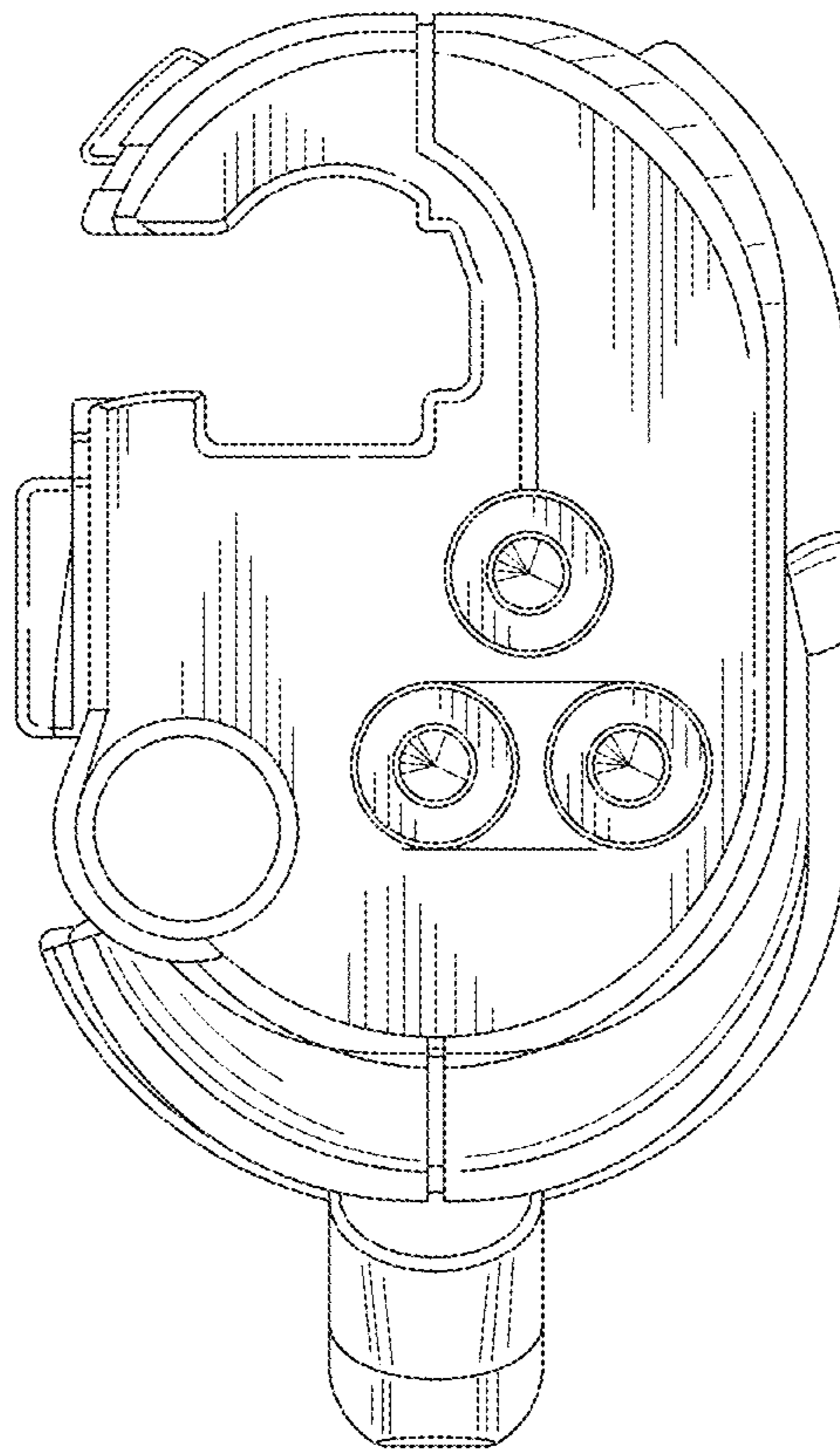


FIG. 4

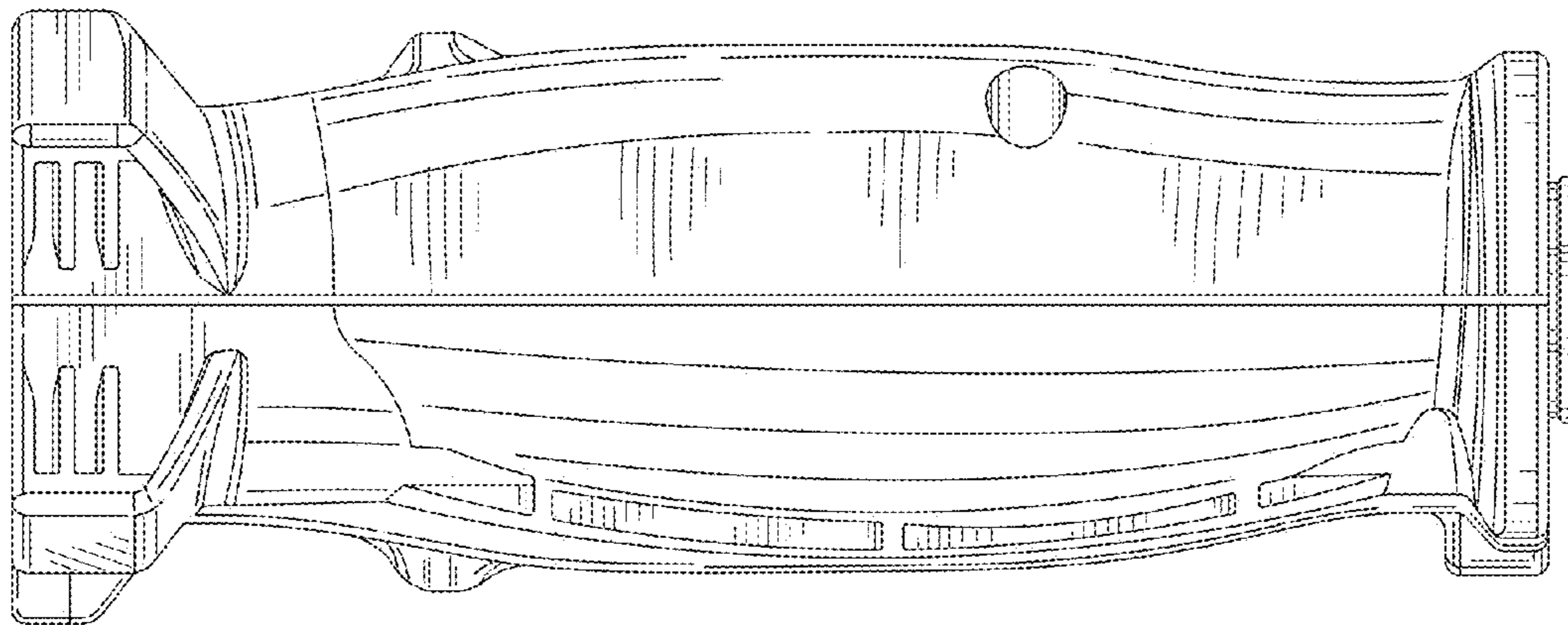


FIG. 5

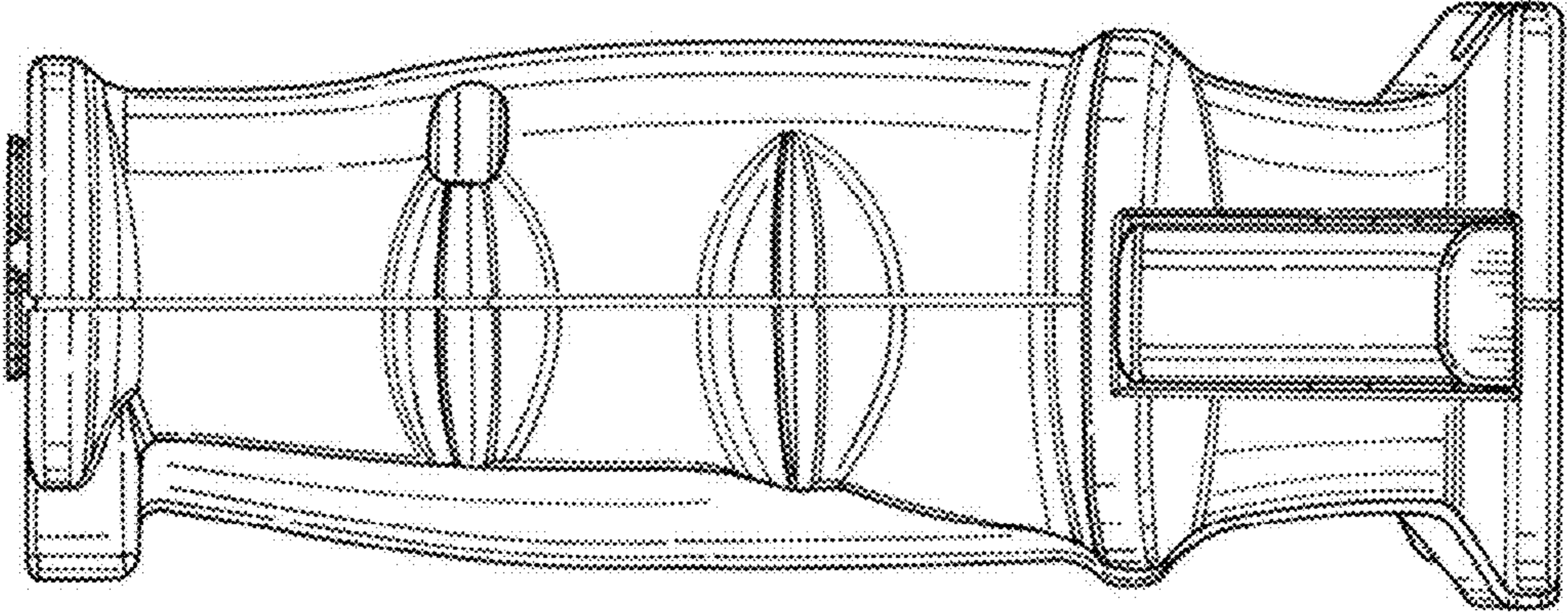


FIG. 6

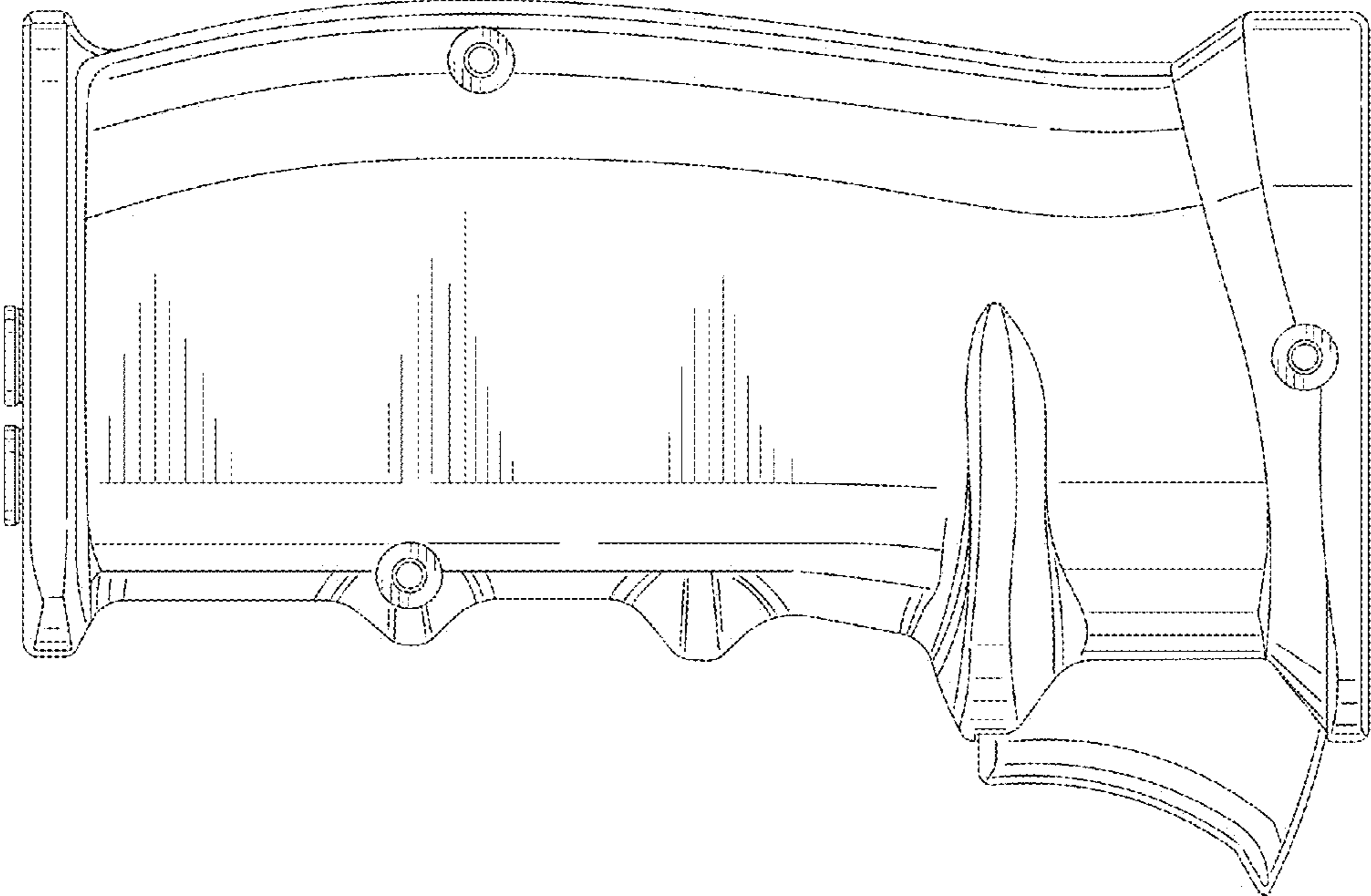


FIG. 7

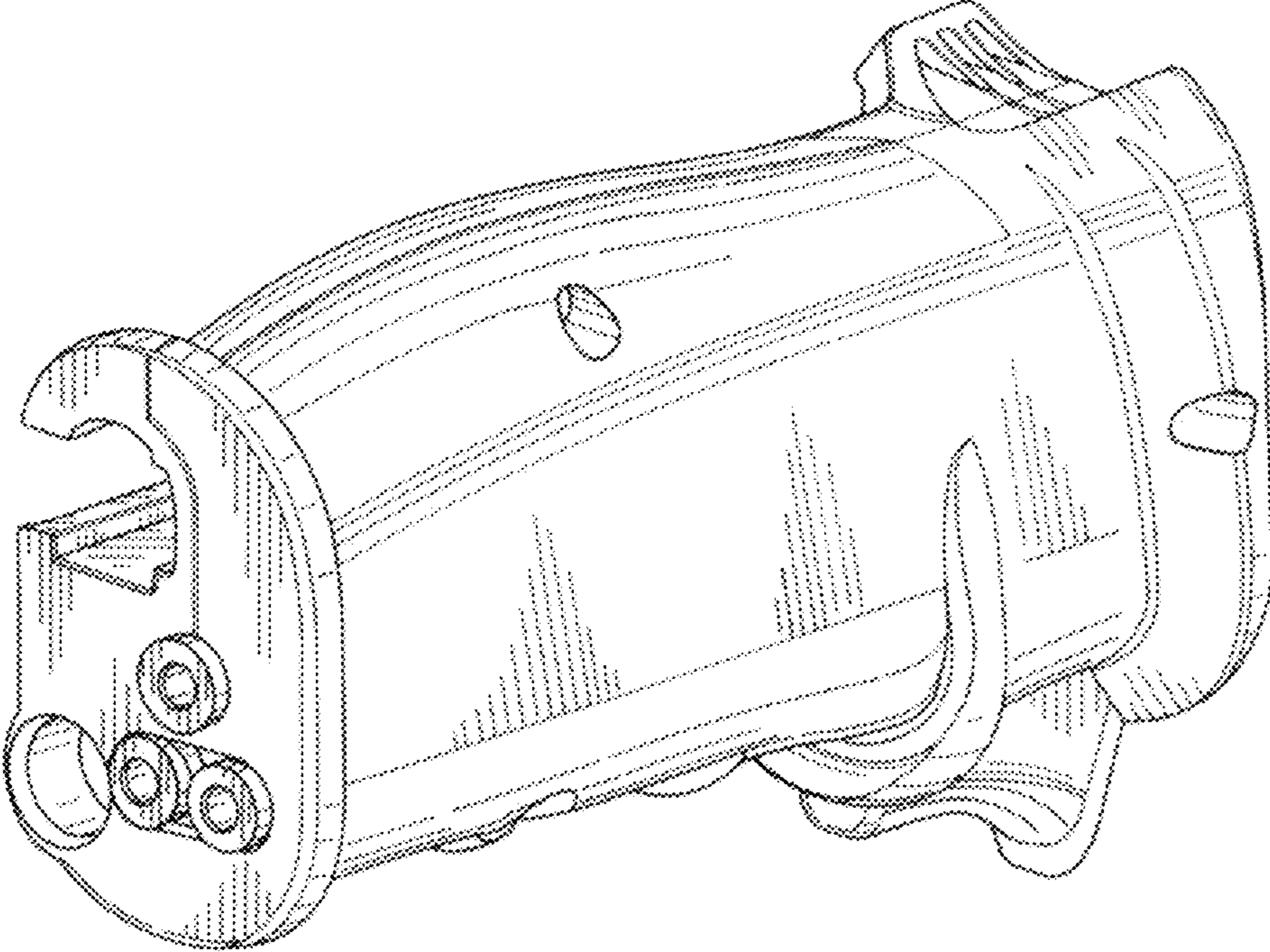
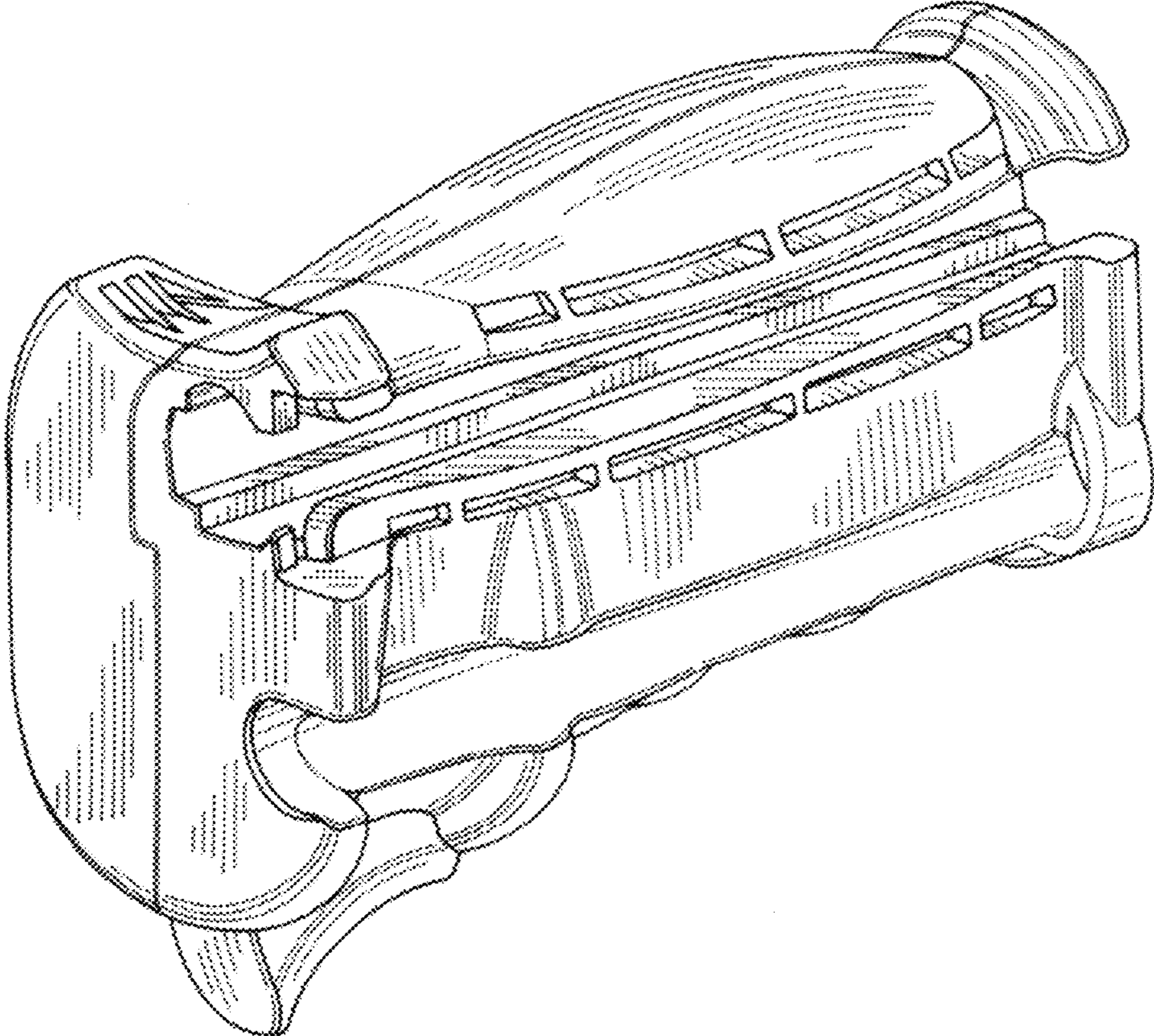


FIG. 8



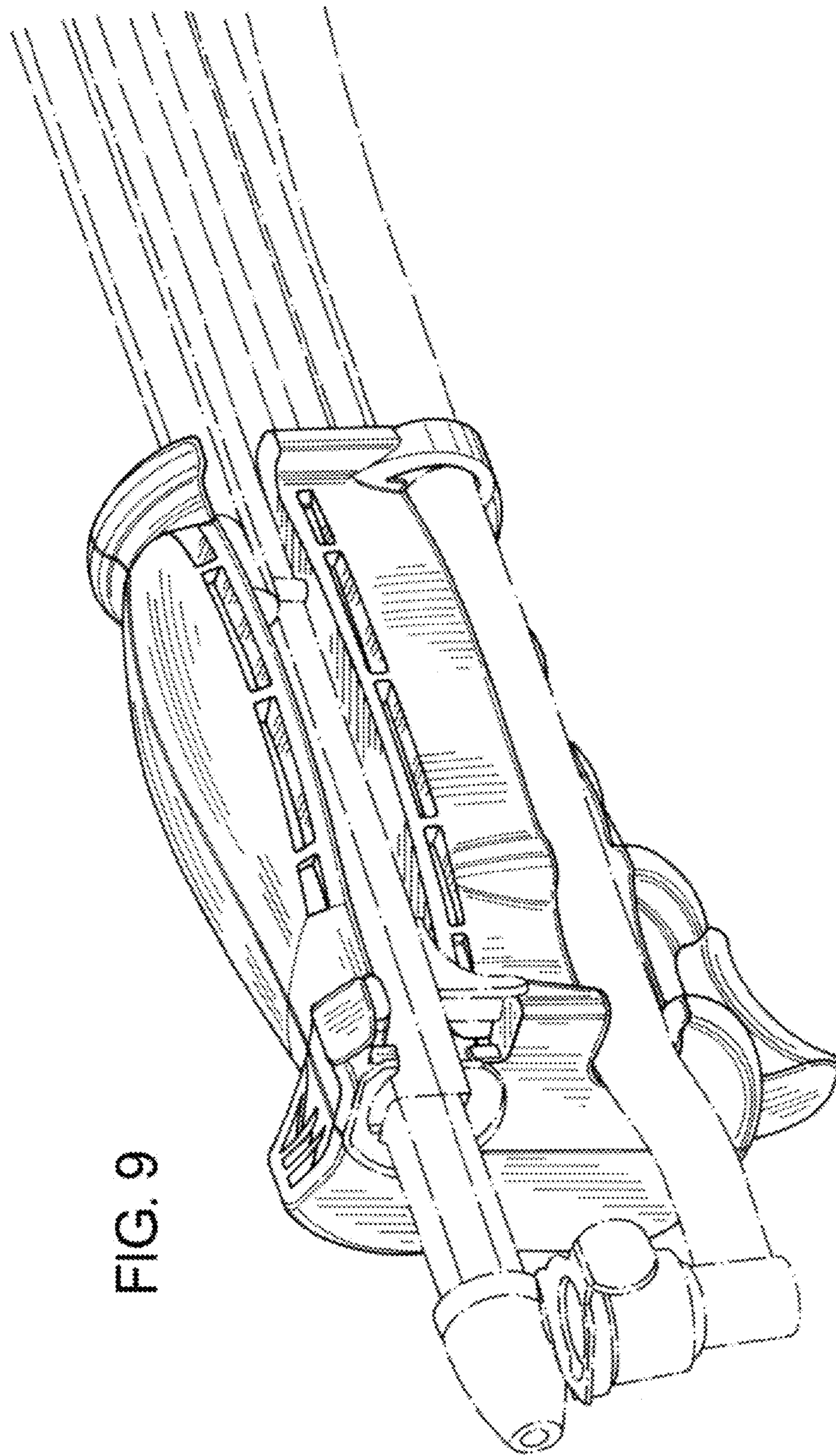


FIG. 9