

US00D701167S

(12) **United States Design Patent**
You et al.

(10) **Patent No.:** **US D701,167 S**
(45) **Date of Patent:** **** Mar. 18, 2014**

(54) **SELF-COOLING POWER SAVER**

(56) **References Cited**

(71) Applicant: **Shun-Fu International Electrical Co., Ltd.**, Taipei (TW)

U.S. PATENT DOCUMENTS

(72) Inventors: **Ming-Shun You**, Taipei (TW); **Wei-Ta Chou**, Taipei (TW)

D180,817 S *	8/1957	Brandt et al.	D13/125
D187,073 S *	1/1960	Brandt et al.	D13/133
D195,975 S *	8/1963	Leoni et al.	D13/110
D279,298 S *	6/1985	Petrus	D19/62
D294,565 S *	3/1988	Makinson et al.	D13/110
D595,226 S *	6/2009	Jidaisho	D13/110
D597,942 S *	8/2009	Koizumi	D13/110

(73) Assignee: **Shun-Fu International Electrical Co., Ltd.**, Taipei (TW)

* cited by examiner

(**) Term: **14 Years**

Primary Examiner — Derrick Holland

(21) Appl. No.: **29/466,045**

(74) *Attorney, Agent, or Firm* — Guice Patents PLLC

(22) Filed: **Sep. 4, 2013**

(57) **CLAIM**

The ornamental design for a self-cooling power saver, as shown and described.

(30) **Foreign Application Priority Data**

DESCRIPTION

Apr. 17, 2013 (TW) 102302705

(51) **LOC (10) Cl.** **13-02**

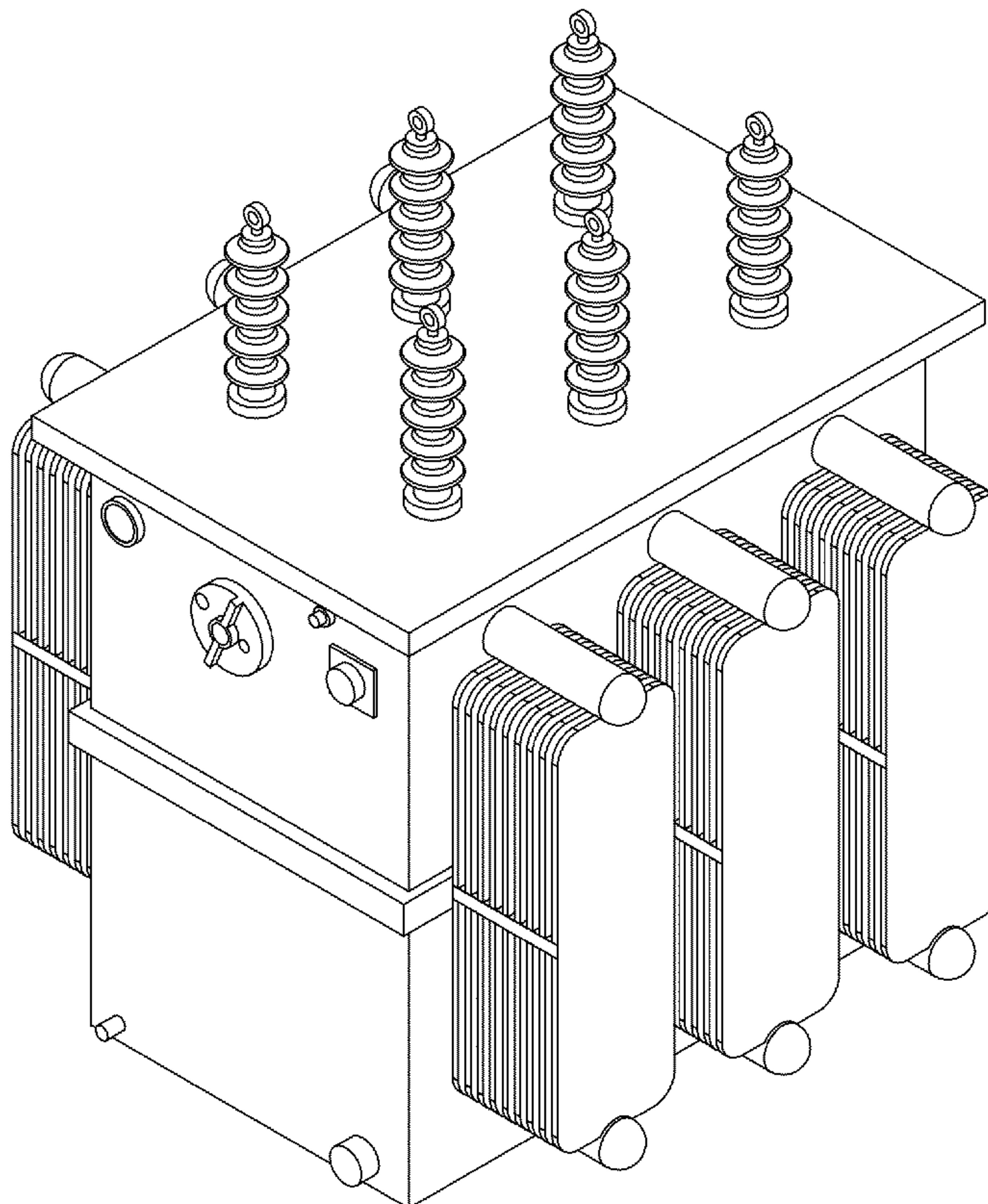
(52) **U.S. Cl.**
USPC **D13/110**

(58) **Field of Classification Search**
USPC D13/110, 101, 114, 118, 184, 199;
165/172, 173, 174, 175, 176;
336/55-61, 90, 92, 94, 98; 363/153,
363/171

FIG. 1 is a perspective view of a self-cooling power saver showing my new design;
FIG. 2 is a front elevation view thereof;
FIG. 3 is a rear elevation view thereof;
FIG. 4 is a left side elevation view thereof;
FIG. 5 is a right side elevation view thereof;
FIG. 6 is a top view thereof; and,
FIG. 7 is a bottom view thereof.

See application file for complete search history.

1 Claim, 7 Drawing Sheets



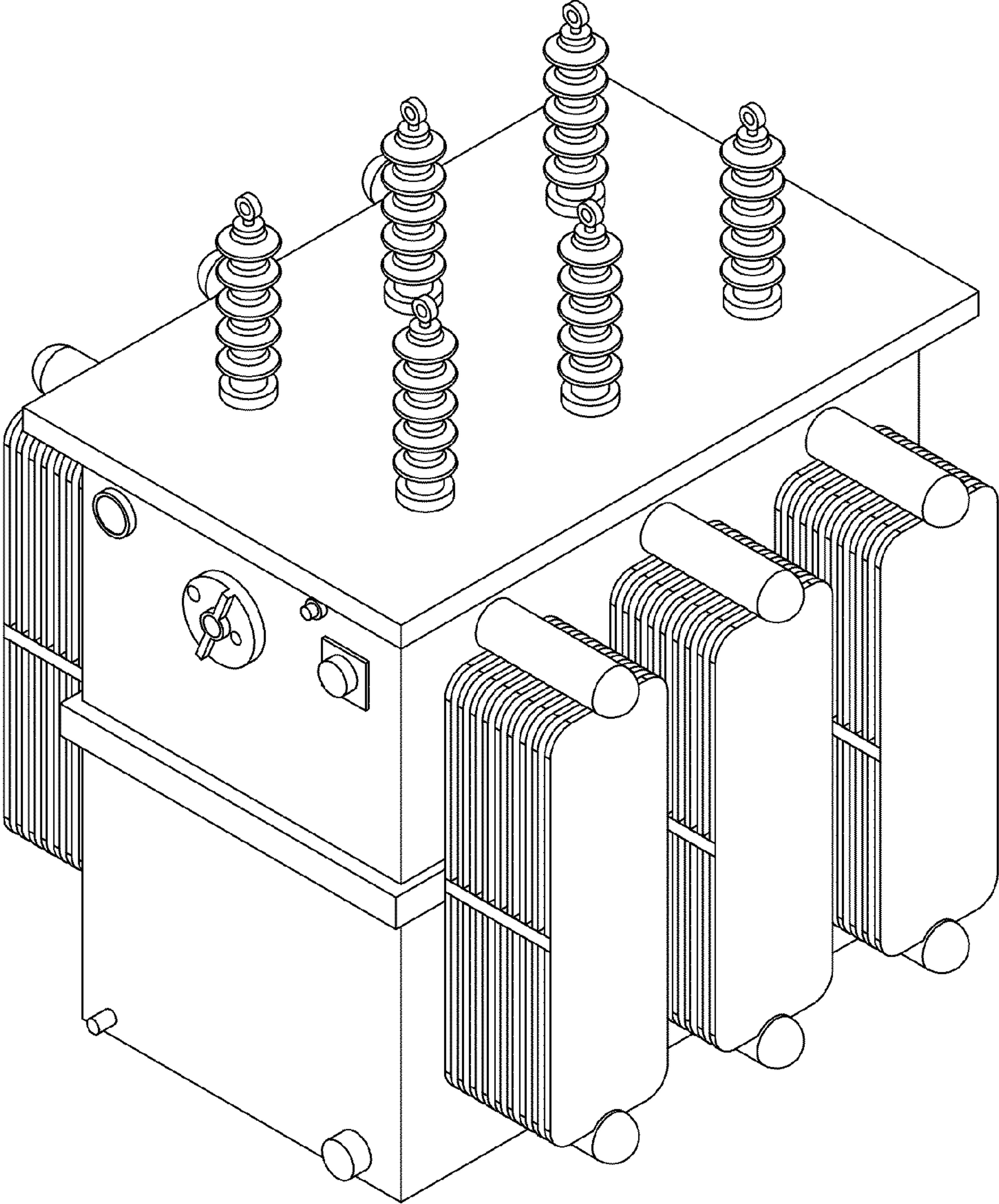


FIG. 1

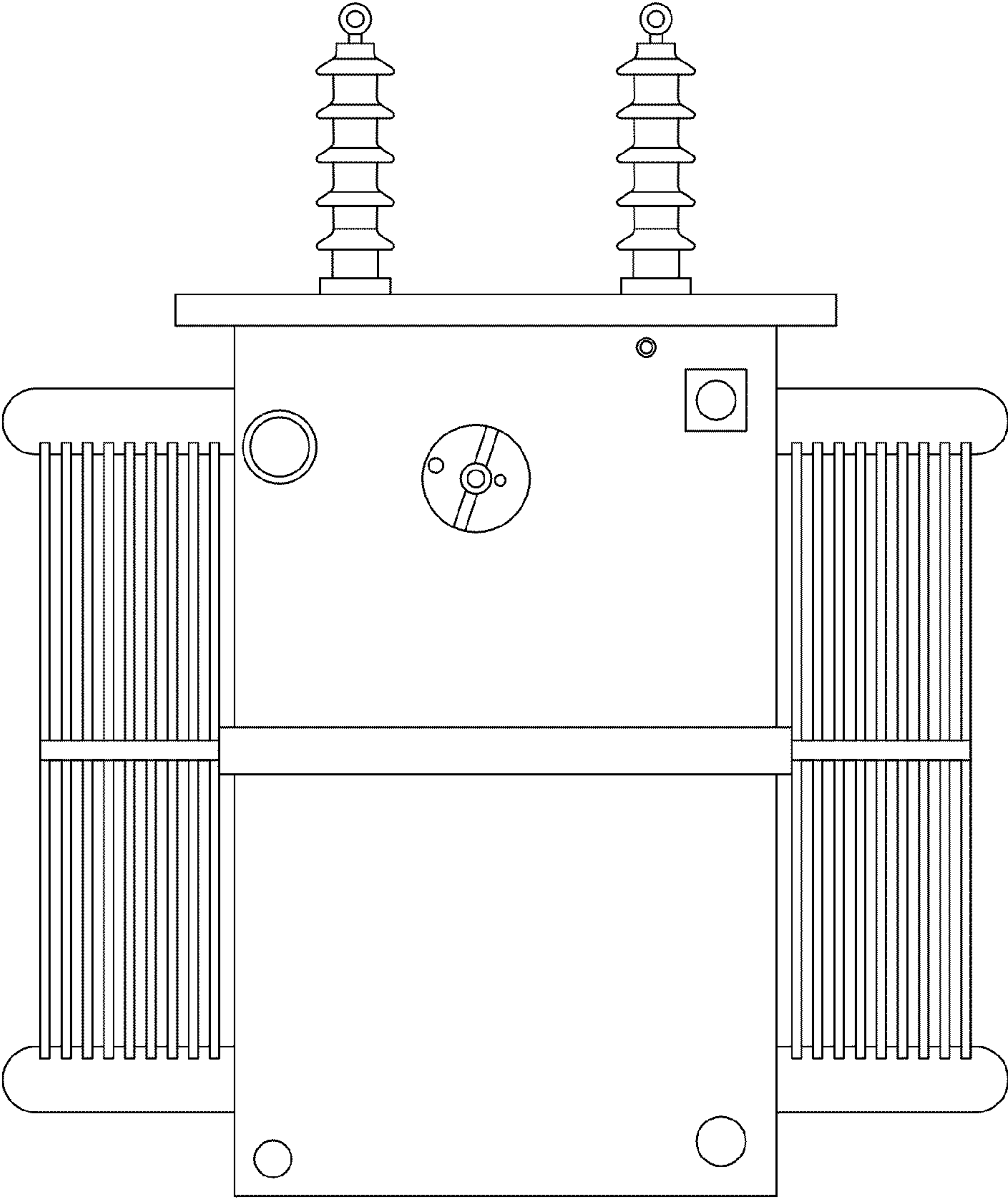


FIG. 2

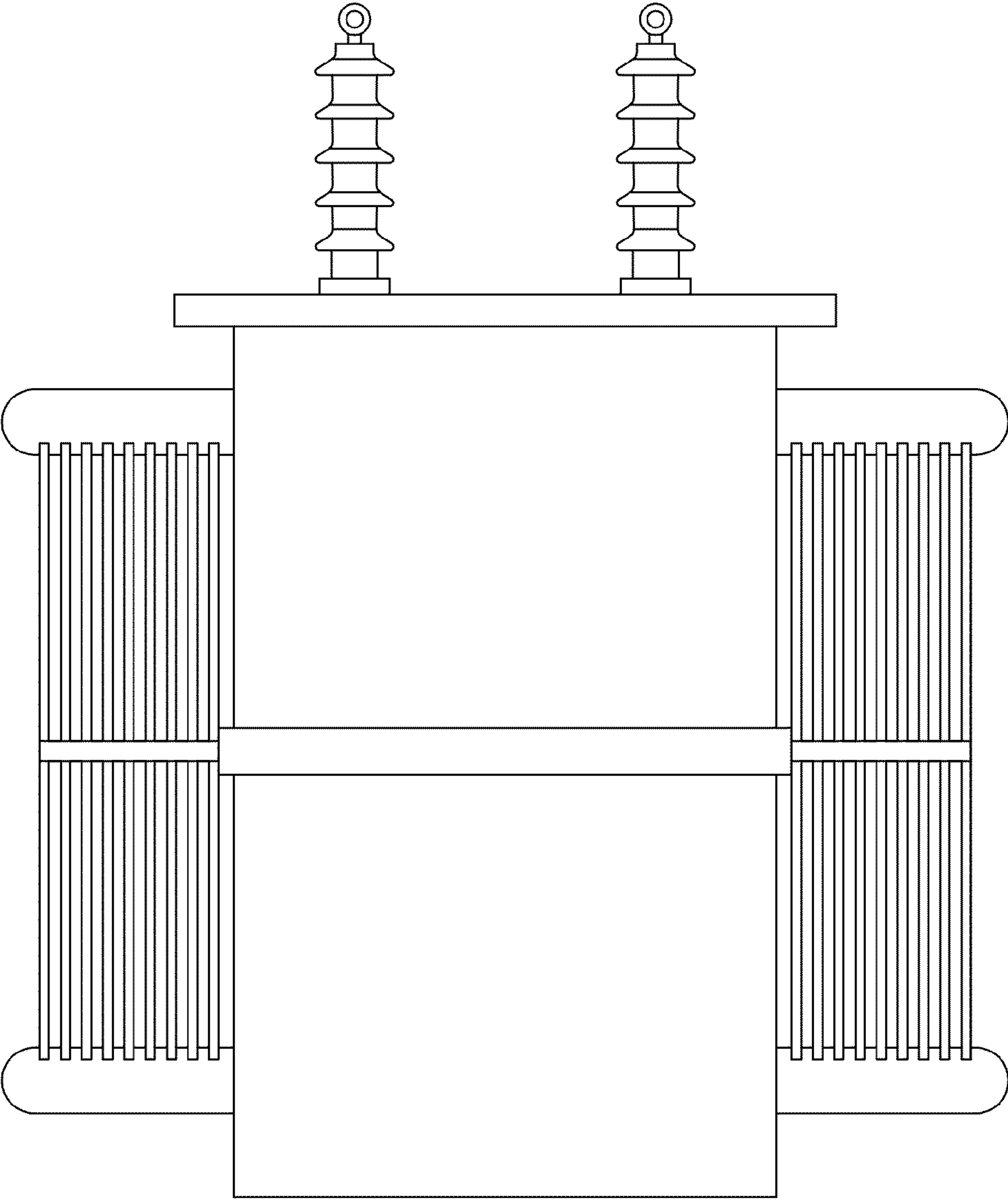


FIG. 3

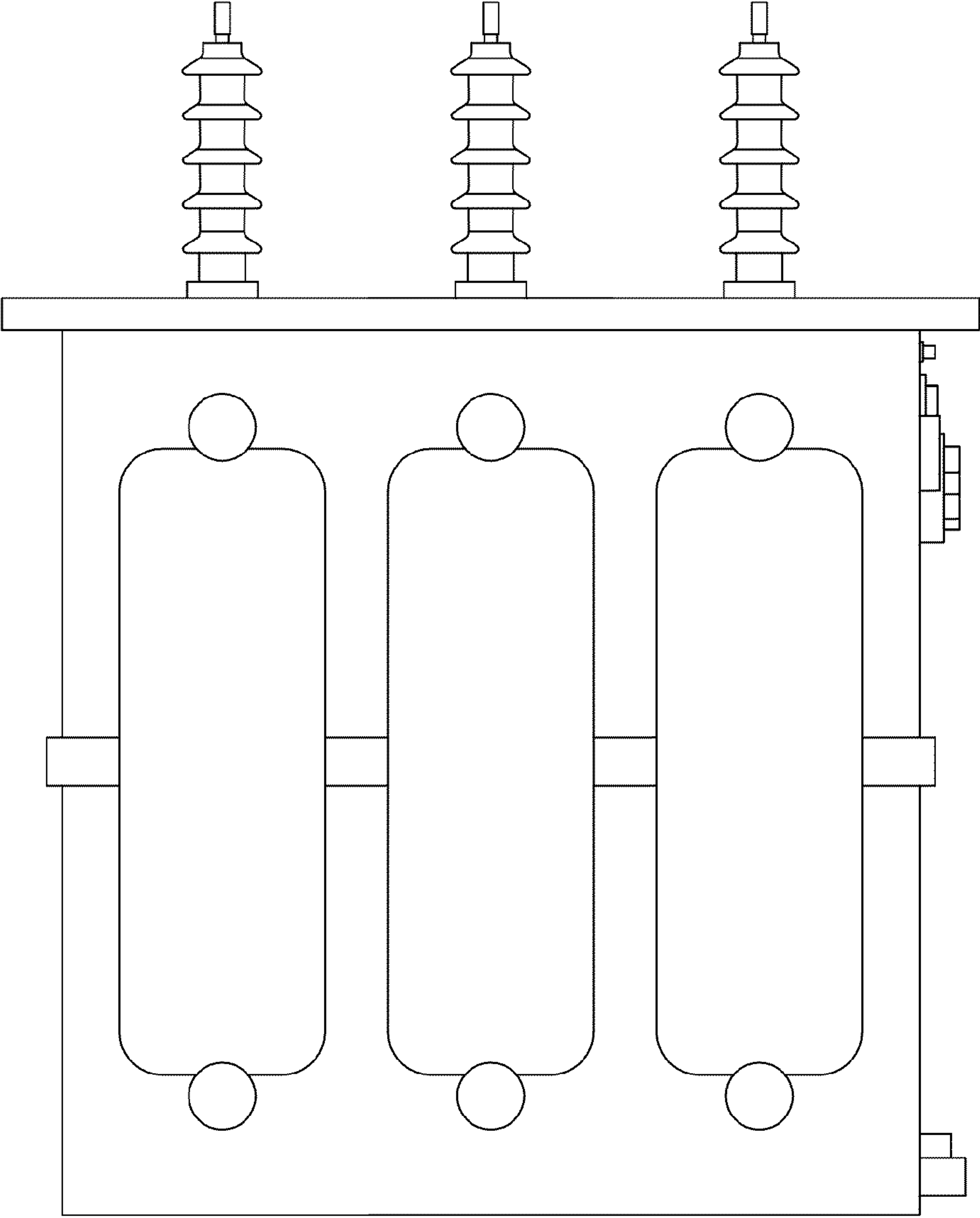


FIG. 4

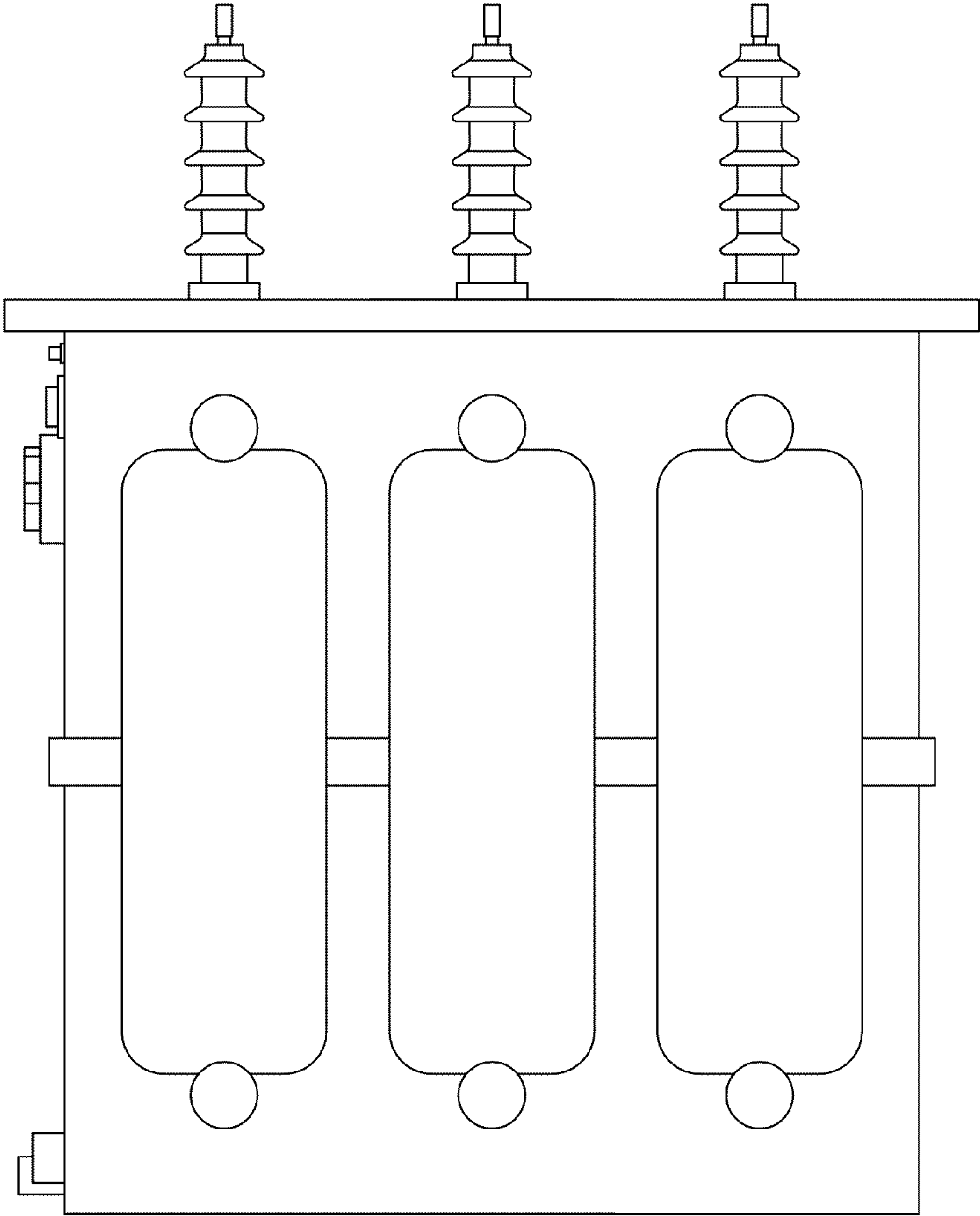


FIG. 5

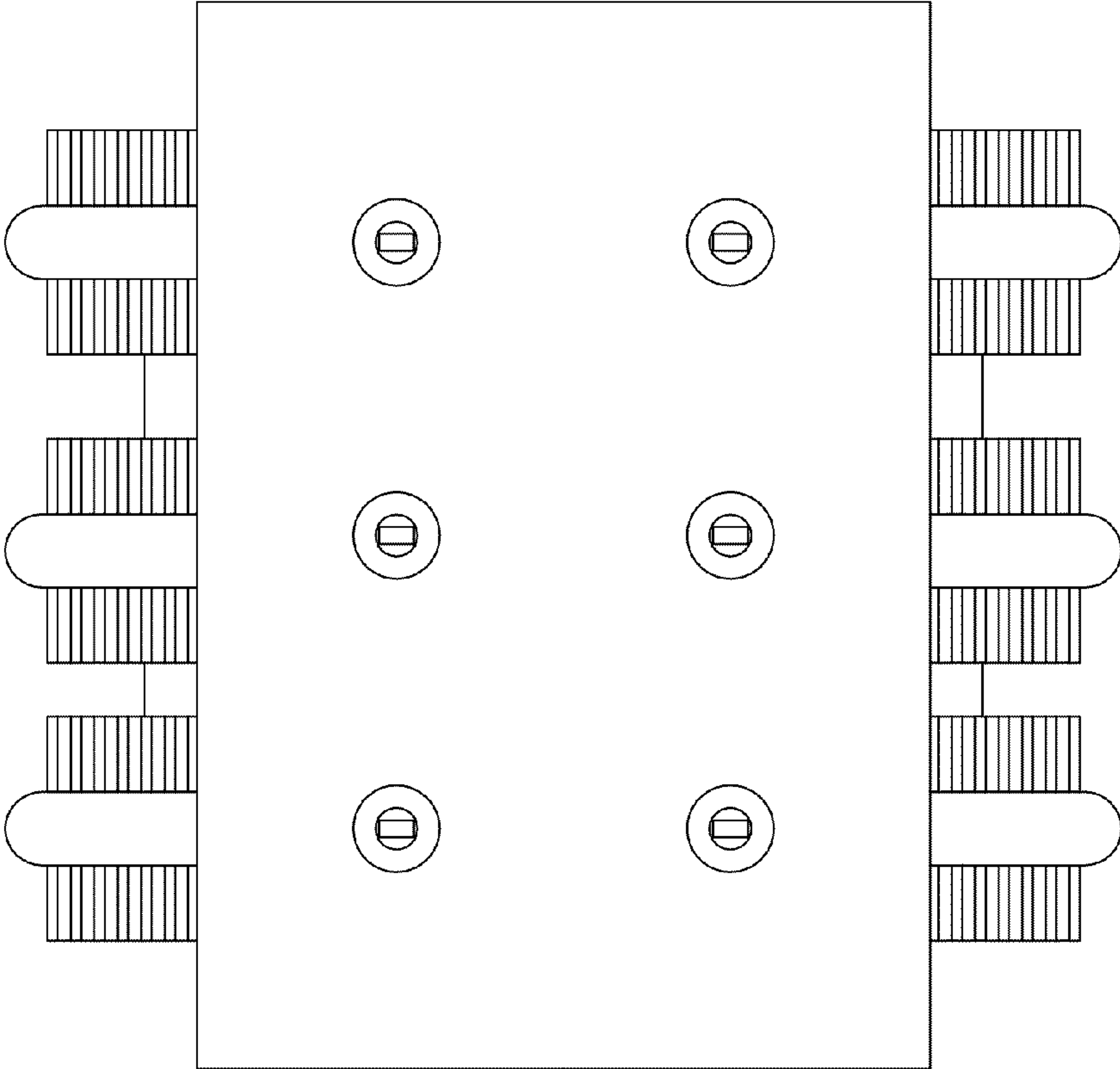


FIG. 6

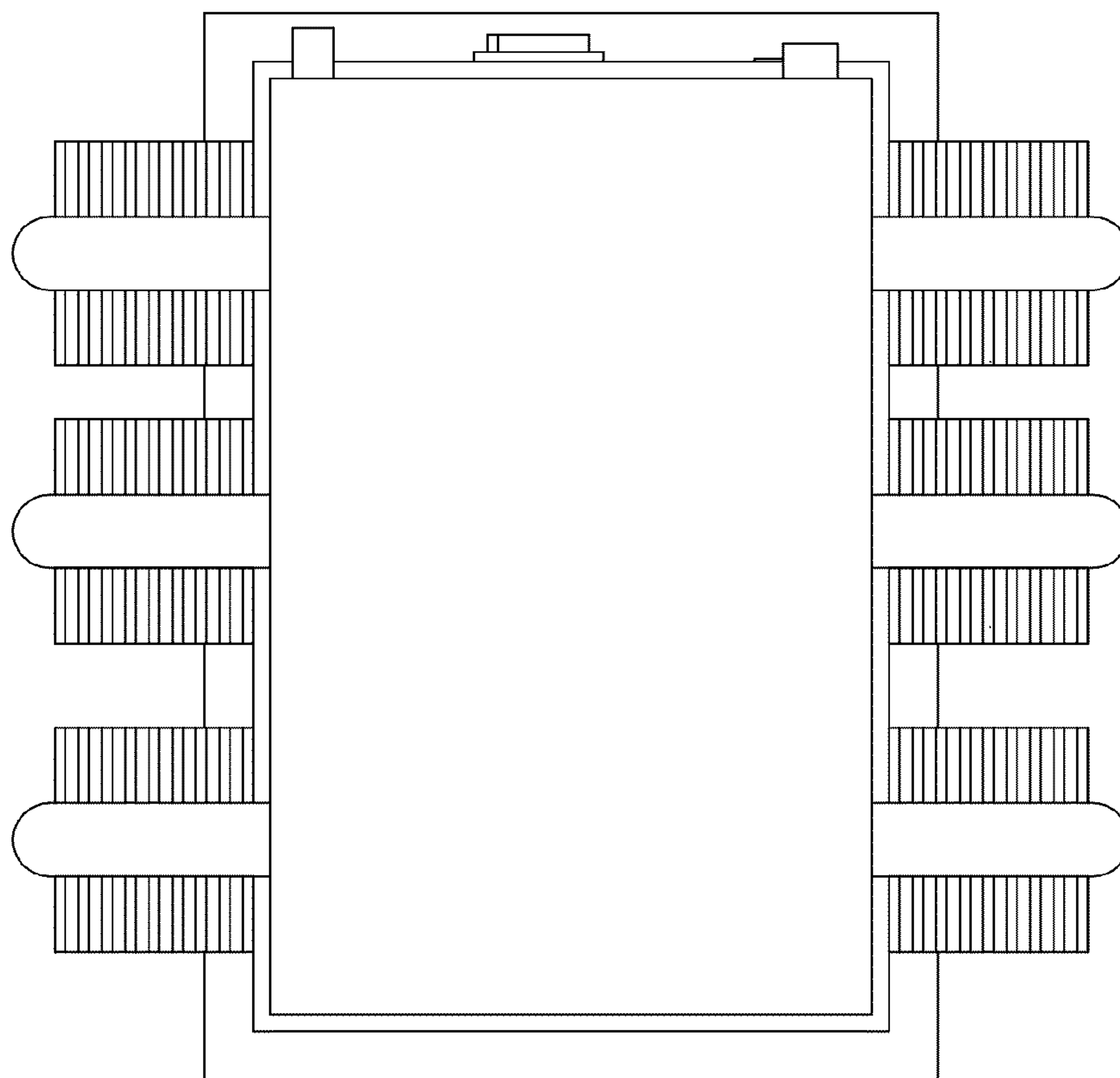


FIG. 7