



US00D701166S

(12) **United States Design Patent**  
**Fishman et al.**

(10) **Patent No.:** **US D701,166 S**  
(45) **Date of Patent:** **\*\* Mar. 18, 2014**

(54) **BATTERY ASSEMBLY**

(75) Inventors: **Elliot G. Fishman**, Pittsburgh, PA (US);  
**Martin David Smalc**, Parma, OH (US);  
**Ryan J. Wayne**, Brecksville, OH (US);  
**Jonathan Andrew Taylor**, Houston, PA (US)

(73) Assignee: **GrafTech International Holdings Inc.**,  
Parma, OH (US)

(\*\*) Term: **14 Years**

(21) Appl. No.: **29/403,092**

(22) Filed: **Sep. 30, 2011**

(51) **LOC (10) Cl.** ..... **13-02**

(52) **U.S. Cl.**  
USPC ..... **D13/103; D13/119**

(58) **Field of Classification Search**  
USPC ..... D13/102-106, 110, 118-119, 184;  
429/96-100, 149, 163, 187  
See application file for complete search history.

(56) **References Cited**

**U.S. PATENT DOCUMENTS**

D350,114	S *	8/1994	Wales	.....	D13/119
5,443,668	A *	8/1995	Zaborney et al.	.....	156/86
D400,160	S *	10/1998	Nagano	.....	D13/103
D424,517	S *	5/2000	Hurst et al.	.....	D13/119
6,146,783	A	11/2000	Brohm et al.		
7,105,249	B2 *	9/2006	Hall et al.	.....	429/176

D535,945	S *	1/2007	Towler	.....	D13/119
D539,217	S *	3/2007	Hamaguchi	.....	D13/103
D543,143	S *	5/2007	Hamaguchi	.....	D13/103
7,390,590	B2 *	6/2008	Wani et al.	.....	429/96
D574,768	S *	8/2008	Witte	.....	D13/103
D577,333	S *	9/2008	Daniel et al.	.....	D13/103
7,494,712	B2	2/2009	Norley et al.		
D593,488	S *	6/2009	Harrison et al.	.....	D13/103
D664,498	S *	7/2012	Liu	.....	D13/103
2004/0068866	A1	4/2004	Baxter		
2007/0128505	A9	6/2007	Yahnker et al.		
2010/0028758	A1	2/2010	Eaves et al.		
2013/0209858	A1	8/2013	Schmitt et al.		

**OTHER PUBLICATIONS**

International Search Report issued by the USPTO on Jan. 20, 2012 for PCT/US11/54228.  
Written Opinion of the International Search Authority mailed on Jan. 20, 2012 for PCT/US11/54228.

\* cited by examiner

*Primary Examiner* — Rosemary K Tarcza

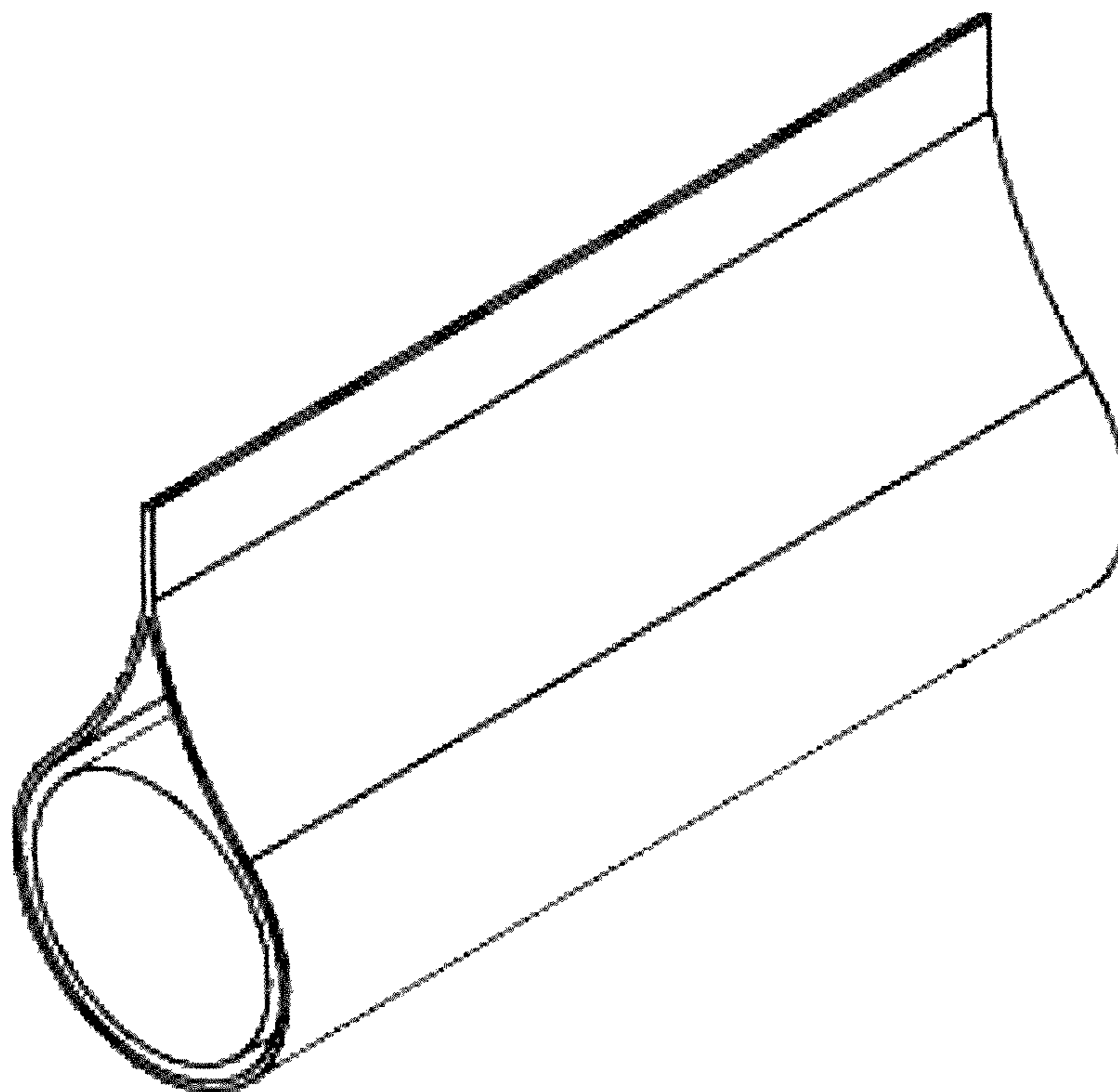
(57) **CLAIM**

The ornamental design of the battery assembly, as shown and described.

**DESCRIPTION**

FIG. 1 is a perspective view of a battery assembly; and, FIG. 2 is a front view thereof.

**1 Claim, 1 Drawing Sheet**



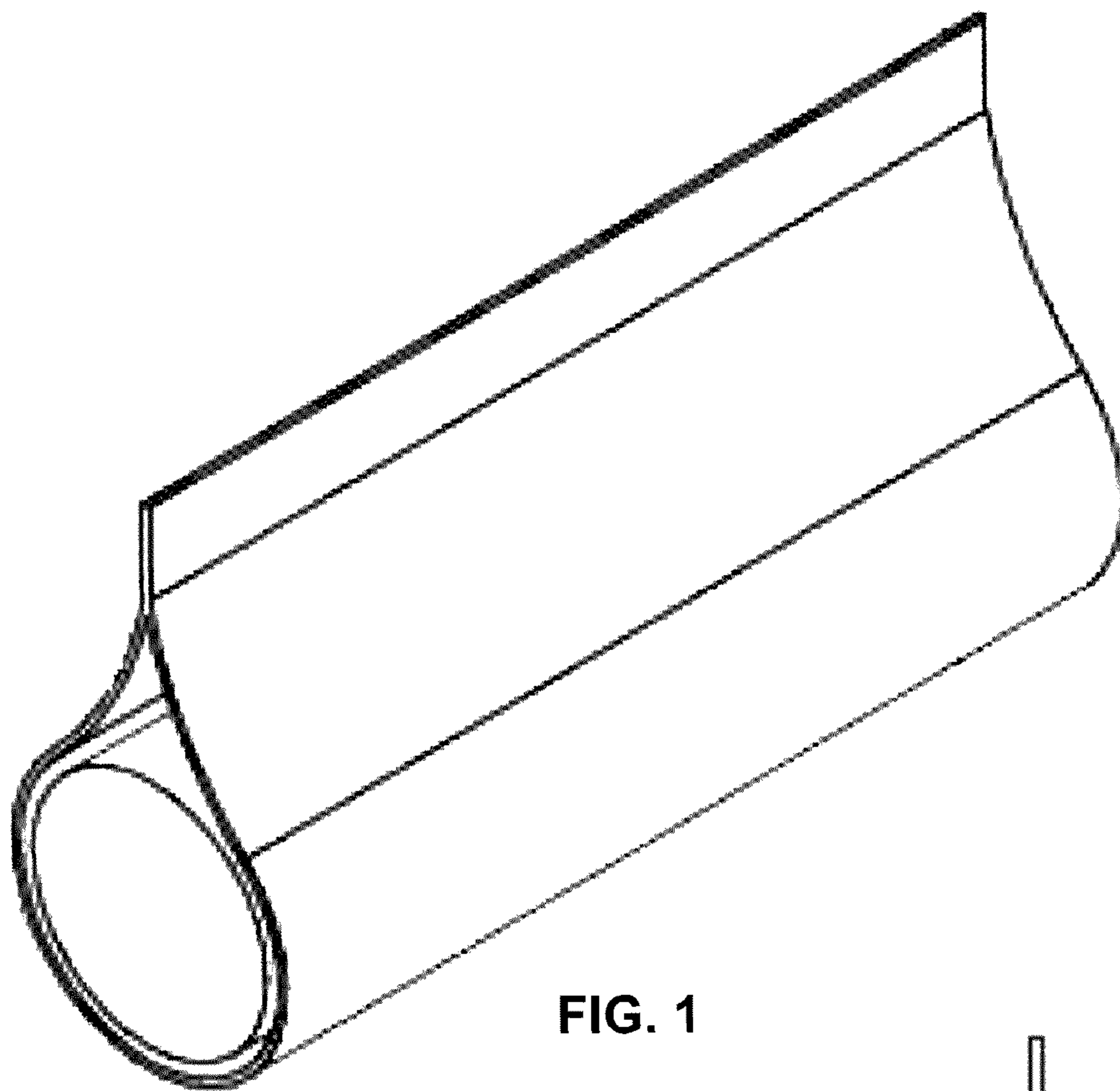


FIG. 1

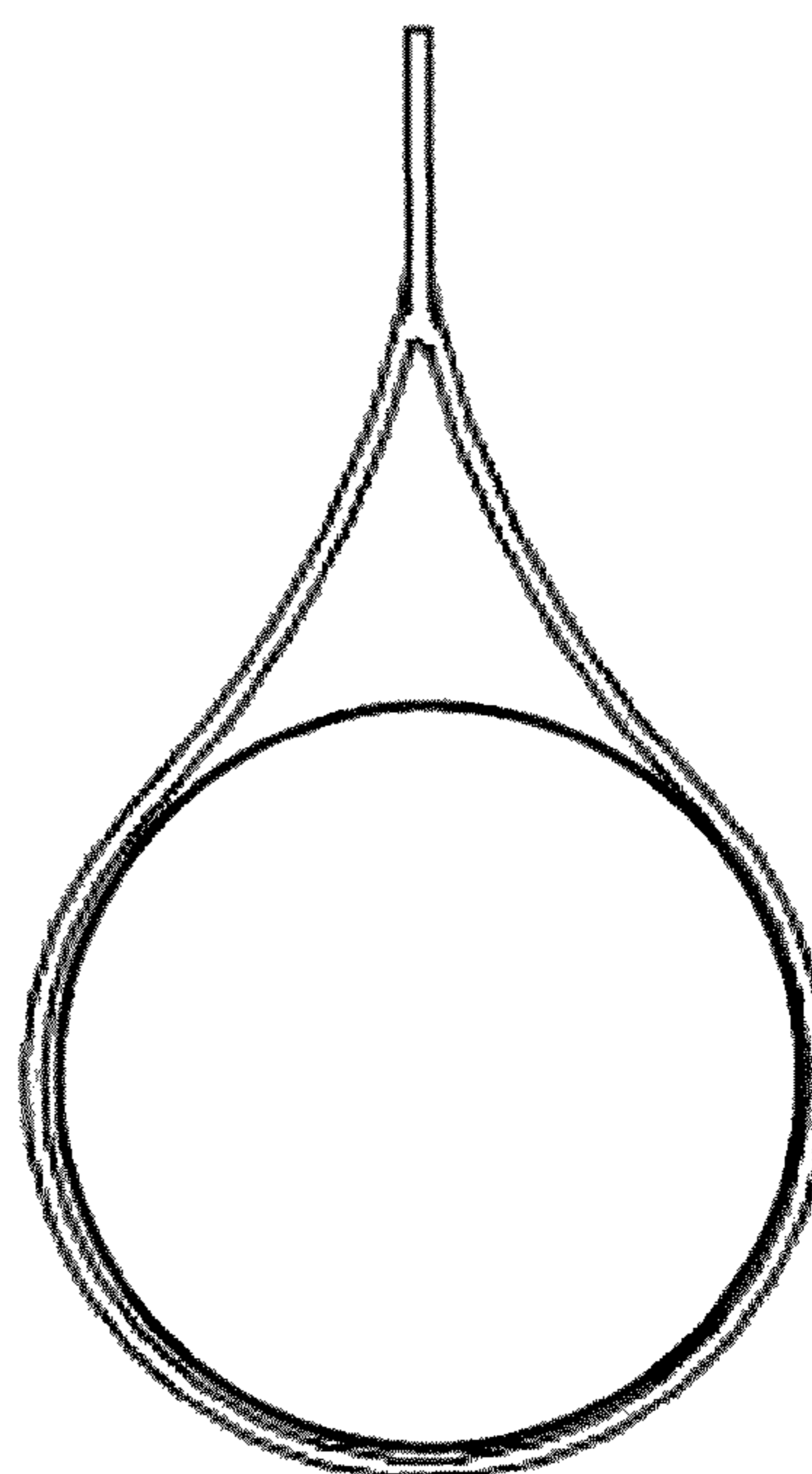


FIG. 2