



US00D701165S

(12) **United States Design Patent**
Andresen et al.

(10) **Patent No.:** **US D701,165 S**
(45) **Date of Patent:** **** Mar. 18, 2014**

(54) **CASING FOR SOLAR POWERED ELECTRICAL DEVICES**

(71) Applicant: **BRIGHT Products AS**, Oslo (NO)

(72) Inventors: **Marius Andresen**, Oslo (NO); **Olivier Butstraen**, Oslo (NO); **Kristian Bye**, Oslo (NO); **Svein Rene**, Oslo (NO)

(73) Assignee: **Bright Products AS**, Oslo (NO)

(**) Term: **14 Years**

(21) Appl. No.: **29/461,621**

(22) Filed: **Jul. 25, 2013**

(51) **LOC (10) Cl.** **13-02**

(52) **U.S. Cl.**
USPC **D13/102**

(58) **Field of Classification Search**
USPC D13/102, 101, 103, 107, 108, 199;
136/206, 243, 244, 245, 252; 320/101,
320/102, 114, 115, 120

See application file for complete search history.

(56) **References Cited**

U.S. PATENT DOCUMENTS

| | | | |
|---------------|---------|----------------------|---------|
| 5,522,943 A * | 6/1996 | Spencer et al. | 136/245 |
| D536,109 S * | 1/2007 | Bailey et al. | D26/24 |
| D574,538 S * | 8/2008 | Sanoner | D26/67 |
| D610,080 S * | 2/2010 | Kawakami et al. | D13/102 |
| D633,437 S * | 3/2011 | Chilton et al. | D13/108 |
| D669,848 S * | 10/2012 | Andresen | D13/102 |

* cited by examiner

Primary Examiner — Derrick Holland

(74) *Attorney, Agent, or Firm* — Diederiks & Whitelaw, PLC

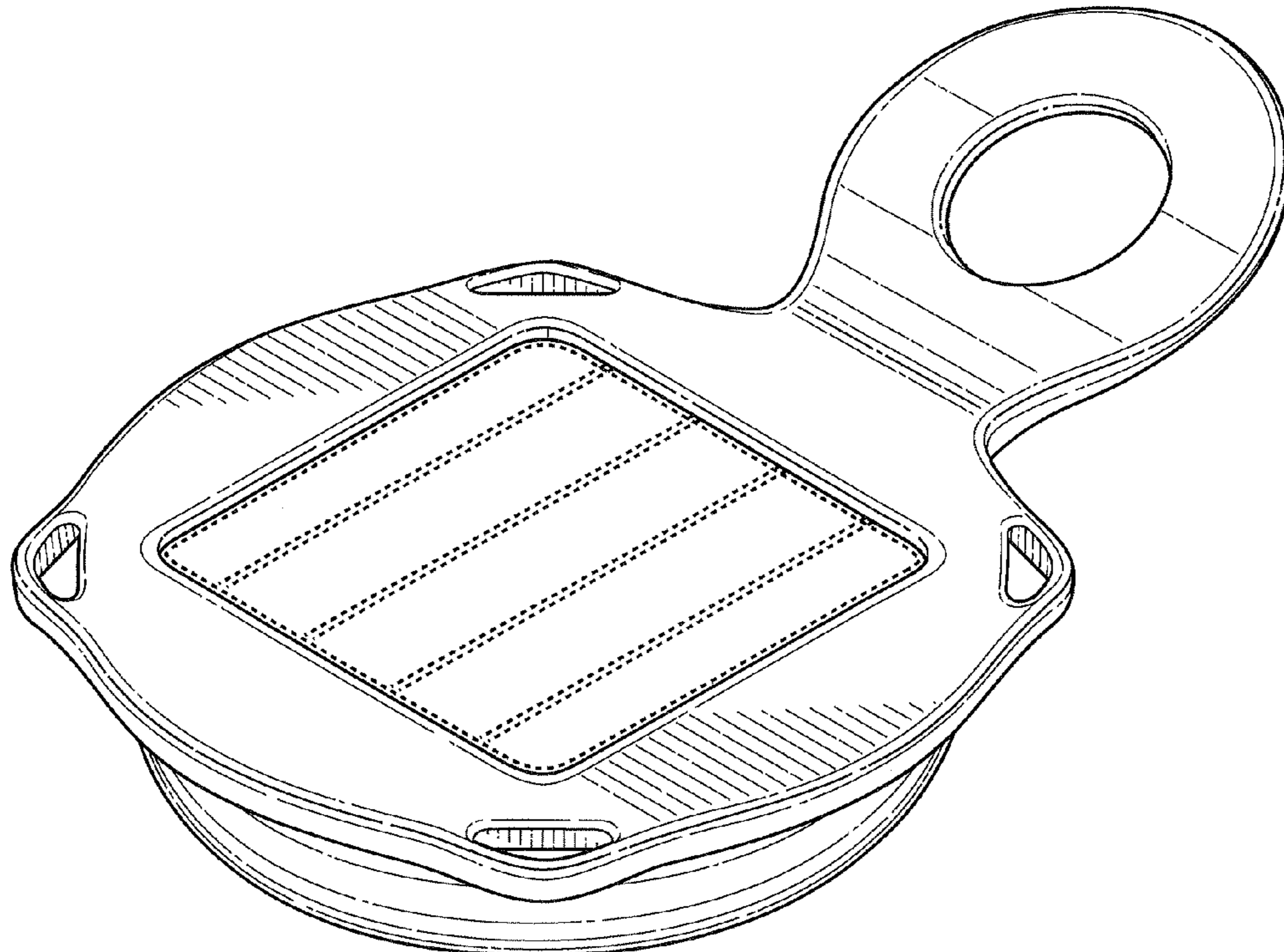
(57) **CLAIM**

The ornamental design for a casing for solar powered electrical devices, as shown and described.

DESCRIPTION

FIG. 1 is a perspective view of a casing for solar powered electrical devices showing our new design; FIG. 2 is a top plan view of the casing of FIG. 1; FIG. 3 is a bottom plan view of the casing of FIG. 1; FIG. 4 is a right side elevational view of the casing of FIG. 1; FIG. 5 is a left side elevational view of the casing of FIG. 1; FIG. 6 is a rear elevational view of the casing of FIG. 1; and, FIG. 7 is a front elevational view of the casing of FIG. 1. The broken lines shown represent unclaimed subject matter and form no part of the claimed design.

1 Claim, 4 Drawing Sheets



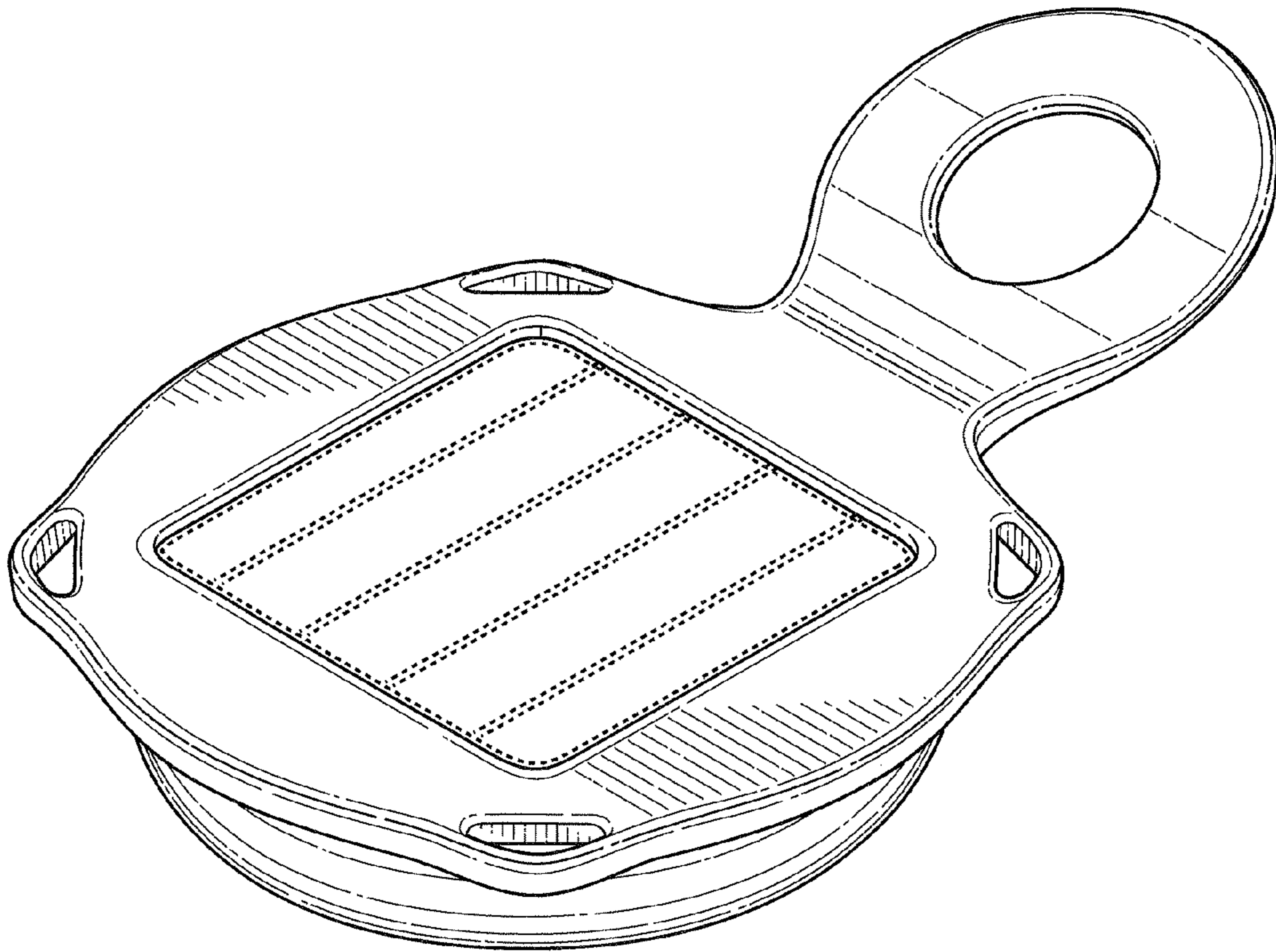


FIG. 1

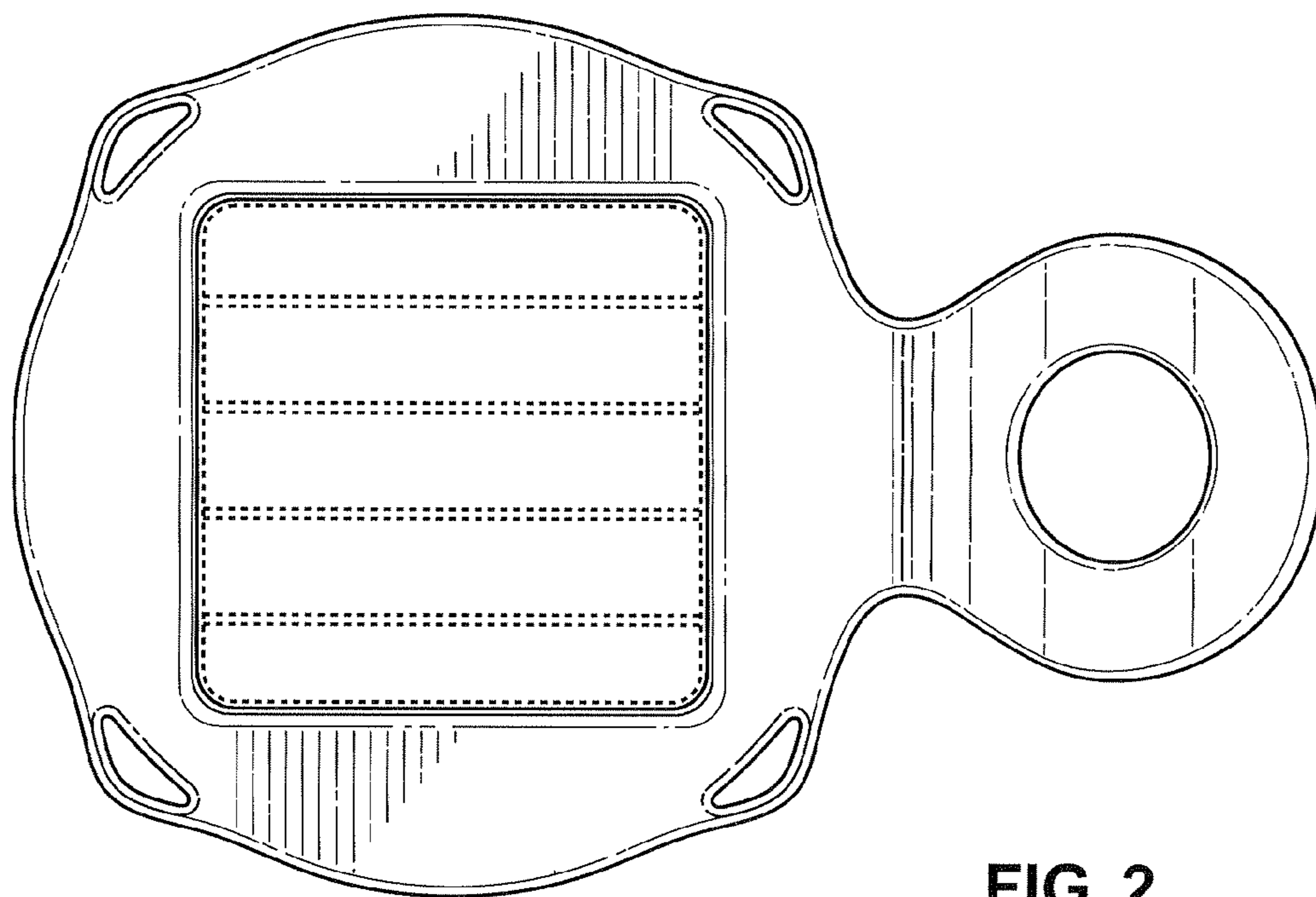


FIG. 2

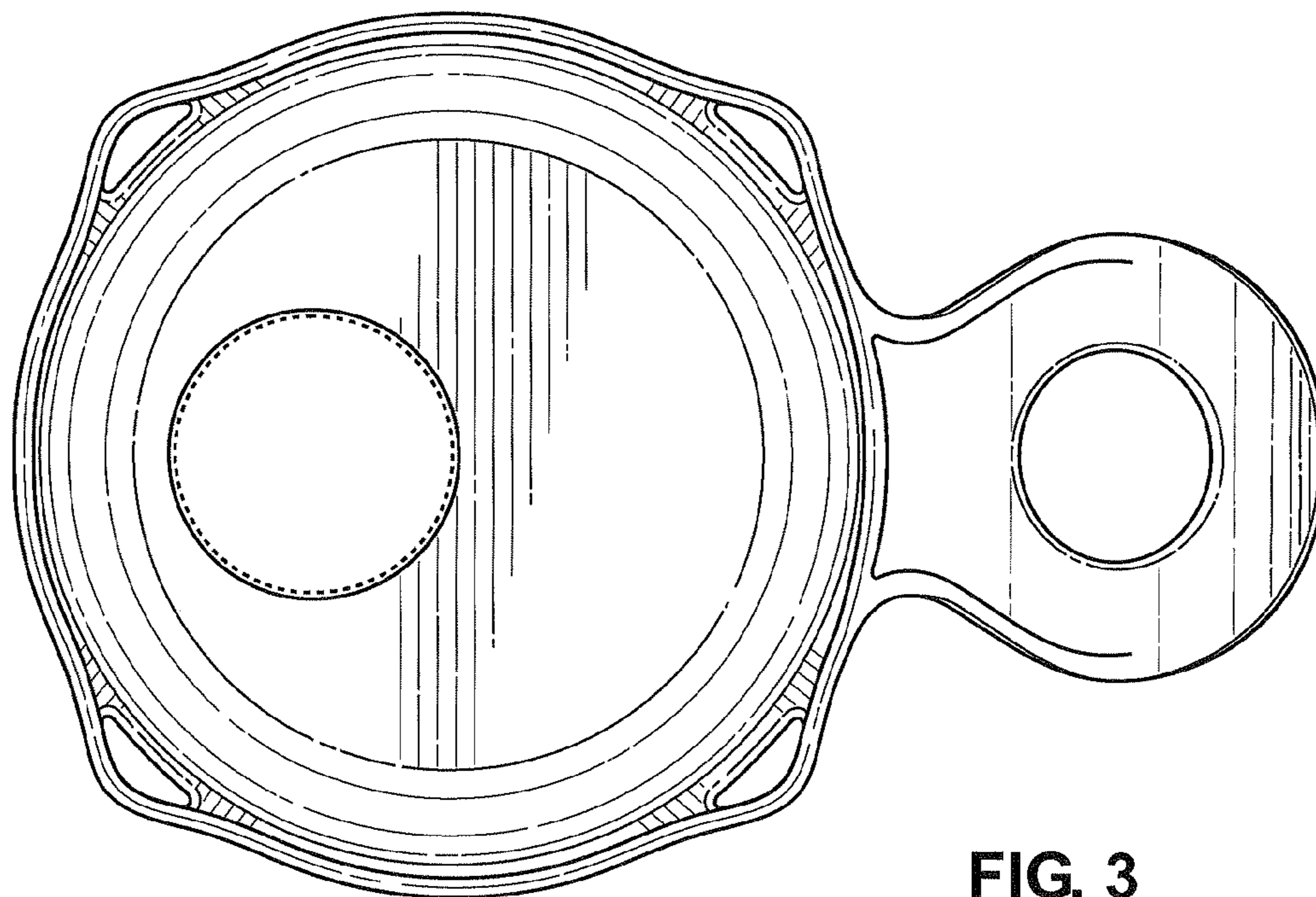


FIG. 3

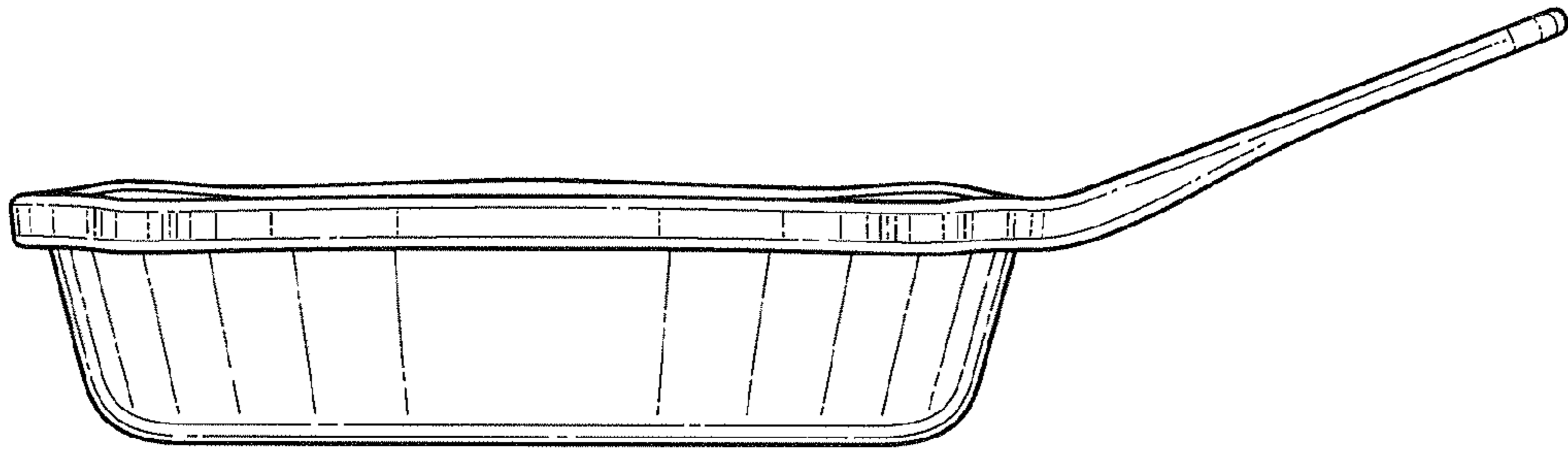


FIG. 4

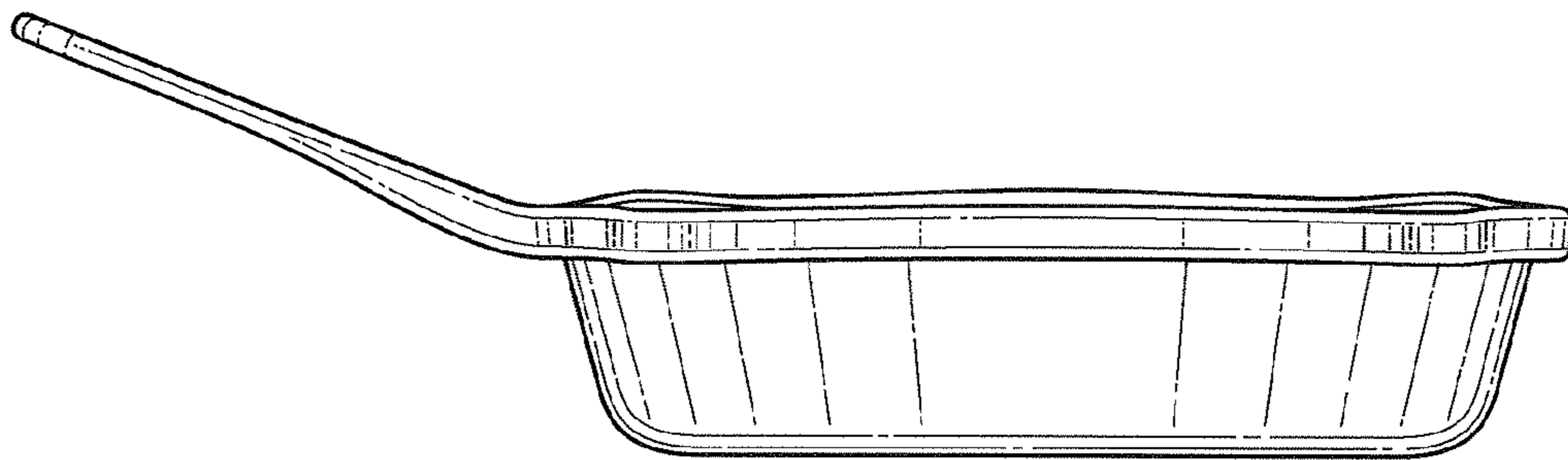


FIG. 5

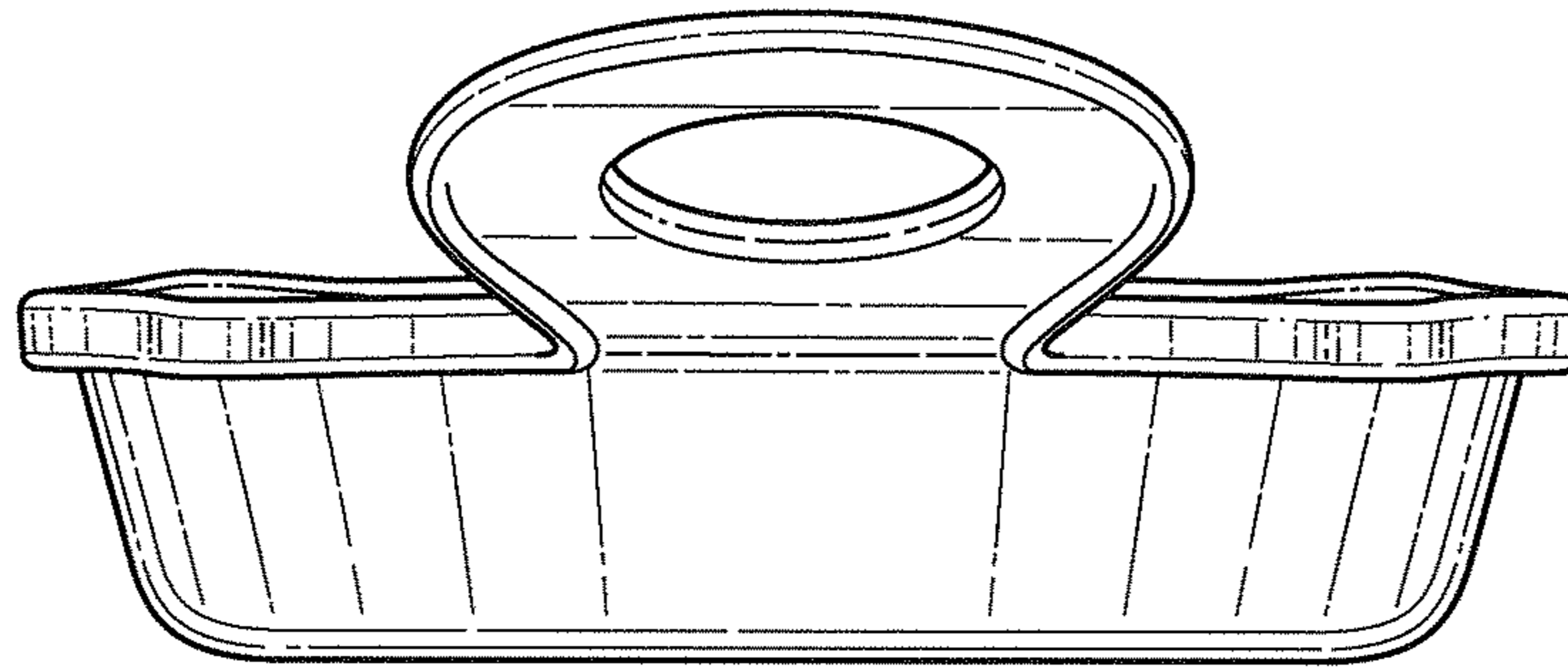


FIG. 6

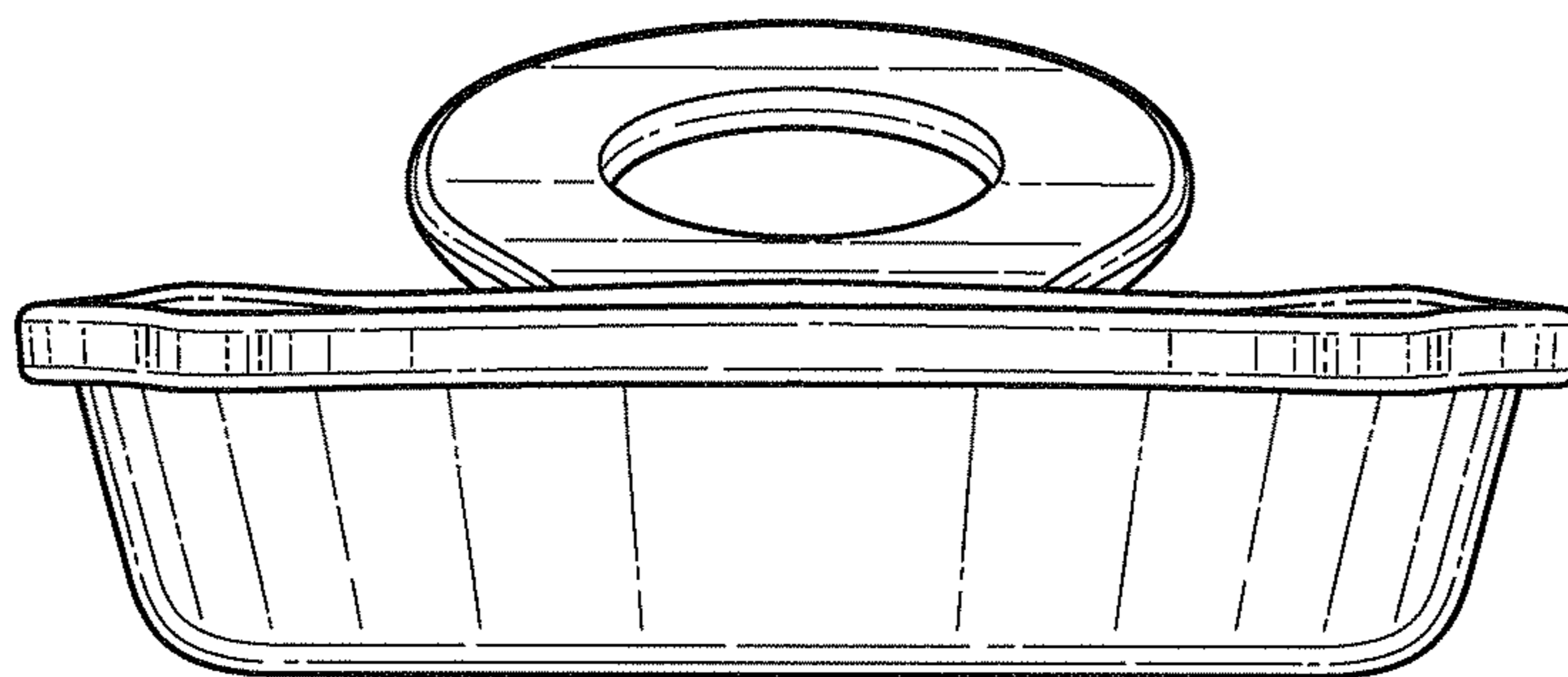


FIG. 7