



US00D701163S

(12) **United States Design Patent**  
**Kuschmeader et al.**

(10) **Patent No.:** **US D701,163 S**  
(45) **Date of Patent:** **\*\* Mar. 18, 2014**

(54) **BICYCLE ROOF MOUNT**

(71) Applicants: **Luke Kuschmeader**, Battlefield, MO (US); **James G. Quintus**, Springfield, MO (US)

(72) Inventors: **Luke Kuschmeader**, Battlefield, MO (US); **James G. Quintus**, Springfield, MO (US)

(73) Assignee: **Kuat Innovations, LLC**, Springfield, MO (US)

(\*\*) Term: **14 Years**

(21) Appl. No.: **29/452,902**

(22) Filed: **Apr. 23, 2013**

(51) **LOC (10) Cl.** ..... **12-11**

(52) **U.S. Cl.**  
USPC ..... **D12/408**

(58) **Field of Classification Search**  
USPC ..... D12/408, 406, 407, 412, 414, 414.1;  
224/400, 500-511, 309-331, 42.11,  
224/42.12, 42.27, 42.29, 924, 424;  
280/202, 304.05; 296/37.1

See application file for complete search history.

(56) **References Cited**

U.S. PATENT DOCUMENTS

D561,680	S	*	2/2008	Foley et al.	.....	D12/408
D562,217	S	*	2/2008	Davis et al.	.....	D12/408
D562,218	S	*	2/2008	Foley et al.	.....	D12/408
D566,034	S	*	4/2008	Davis et al.	.....	D12/408
2011/0174853	A1	*	7/2011	Hubbard	.....	224/309

\* cited by examiner

*Primary Examiner* — Susan E Krakower

*Assistant Examiner* — Linda Brooks

(74) *Attorney, Agent, or Firm* — Richard L. Marsh

(57) **CLAIM**

The ornamental design for a bicycle roof mount, as shown and described.

**DESCRIPTION**

FIG. 1 is a upper right front perspective view of a bicycle roof mount showing our new design.

FIG. 2 is a front elevation view thereof.

FIG. 3 is a rear elevation view thereof.

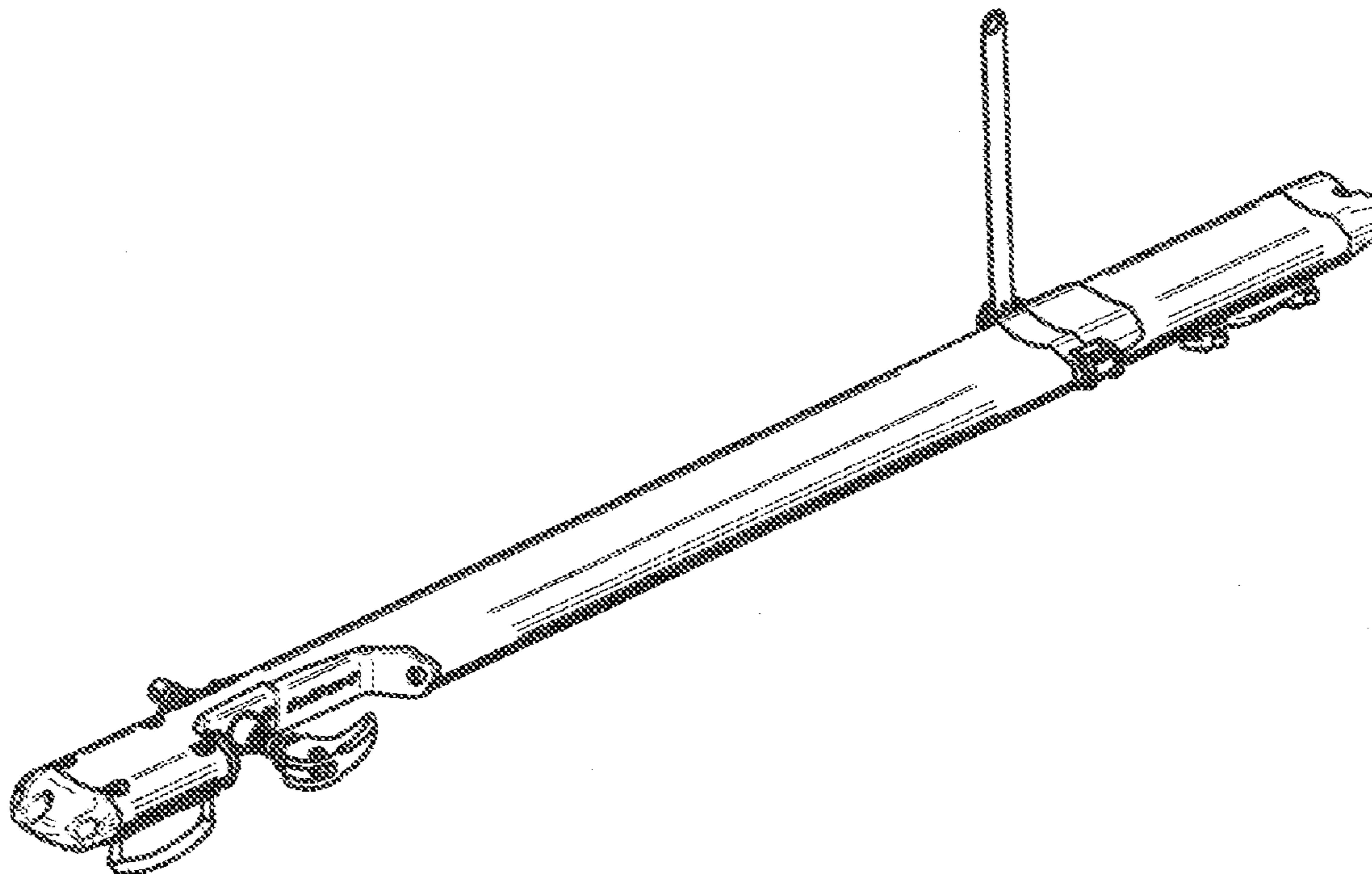
FIG. 4 is a right side elevation view thereof.

FIG. 5 is a left side elevation view thereof.

FIG. 6 is a top plan view thereof; and,

FIG. 7 is a bottom plan view thereof.

**1 Claim, 7 Drawing Sheets**



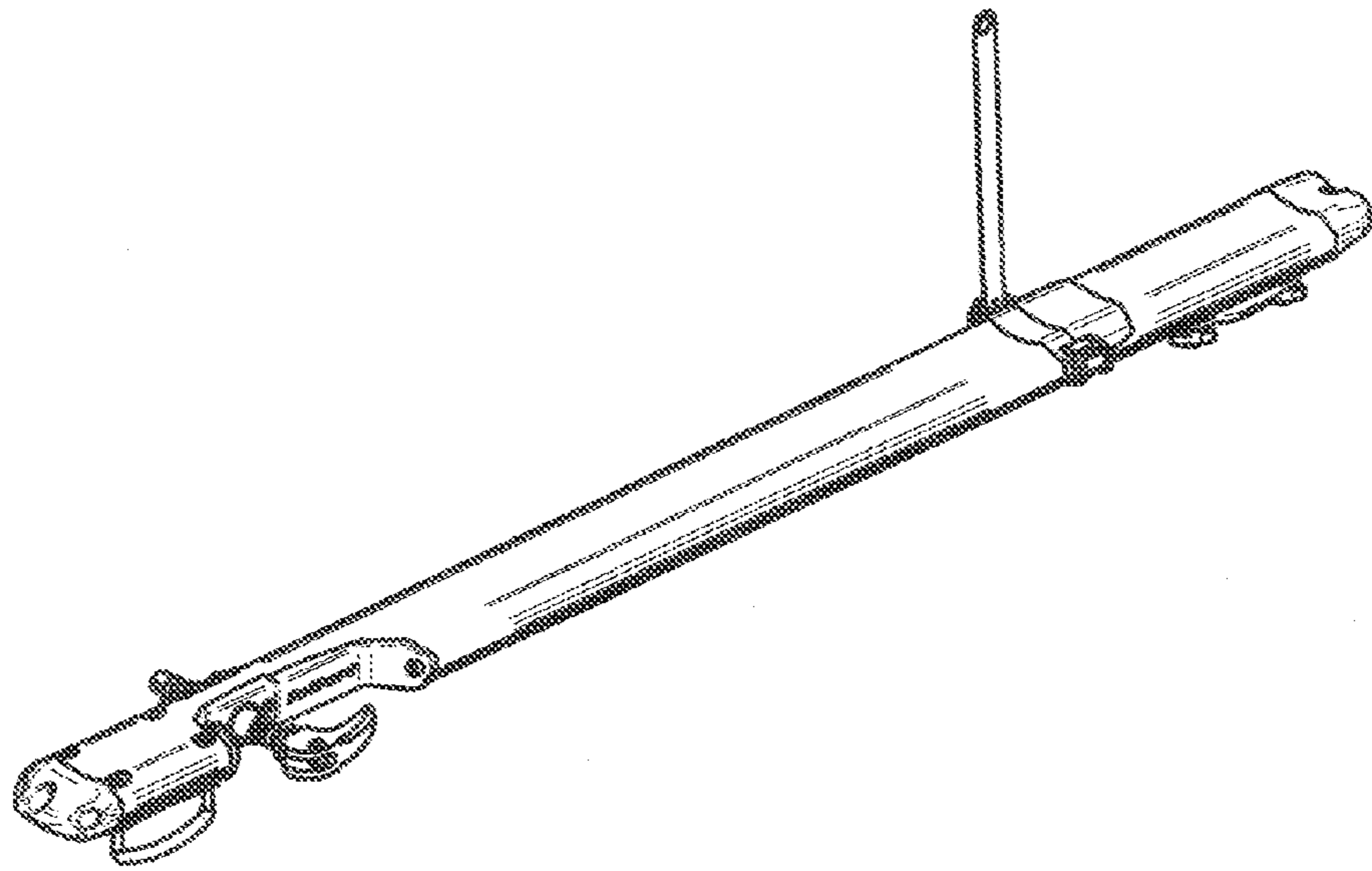


Fig. 1

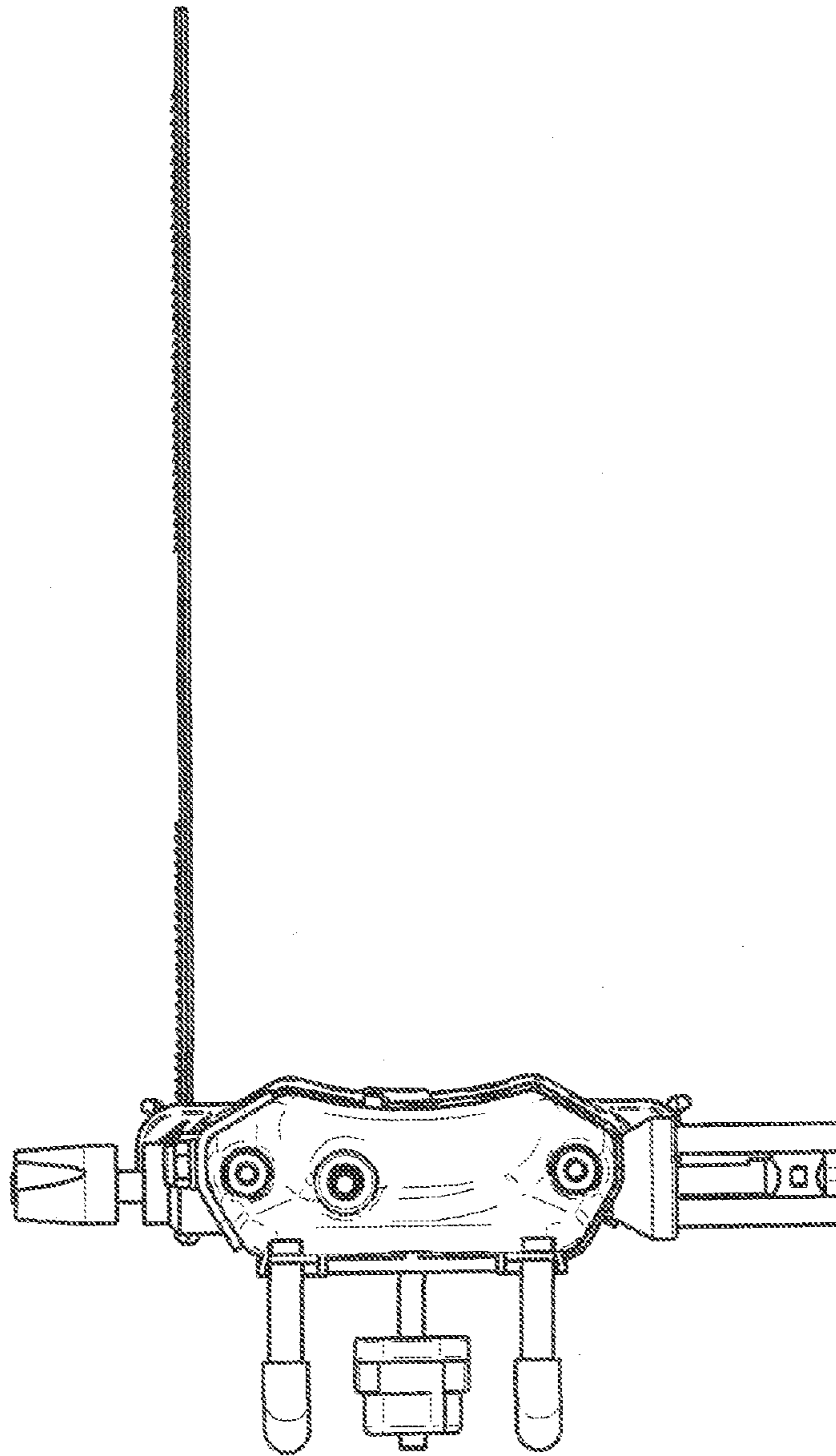


Fig. 2

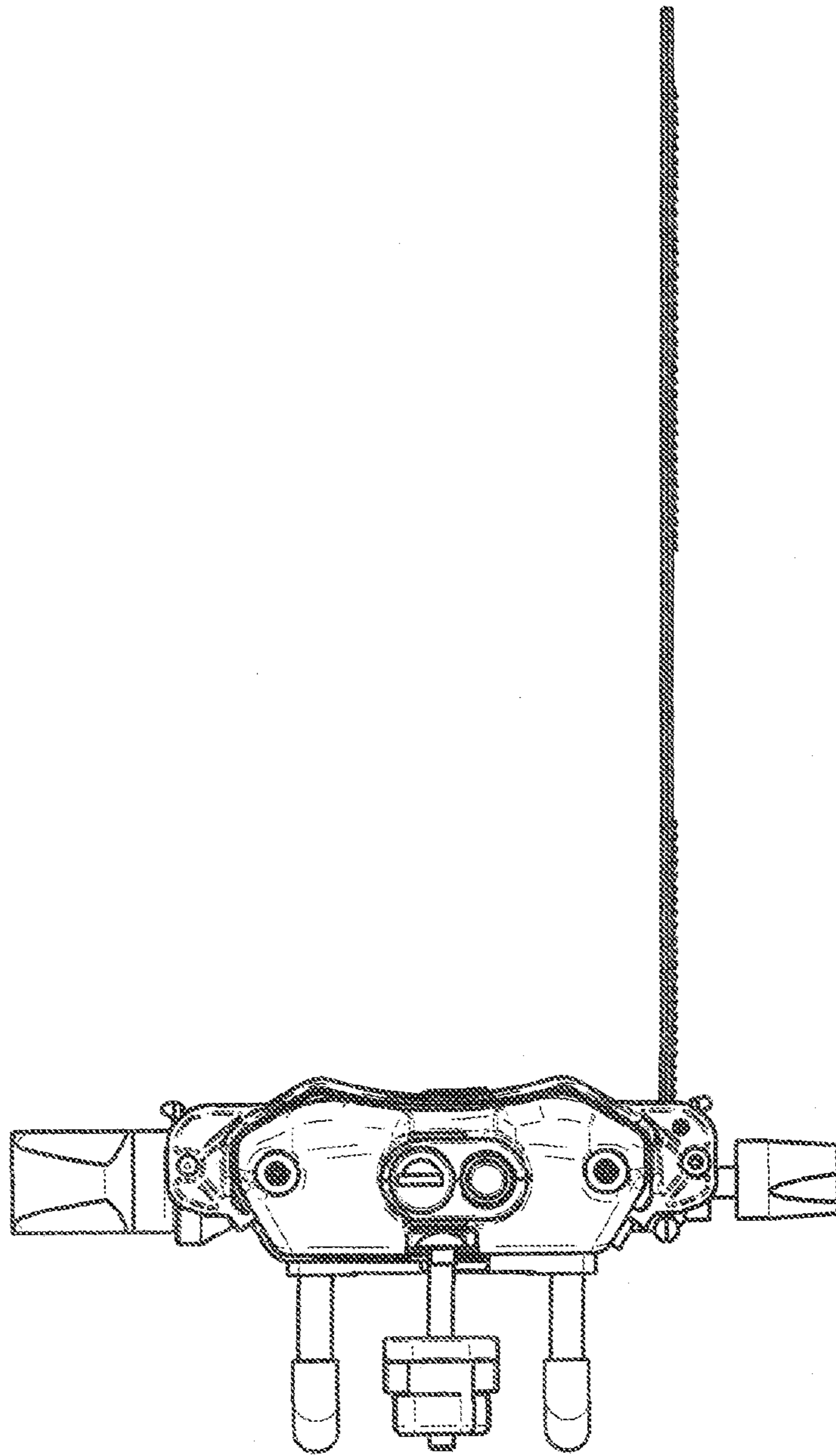


Fig. 3

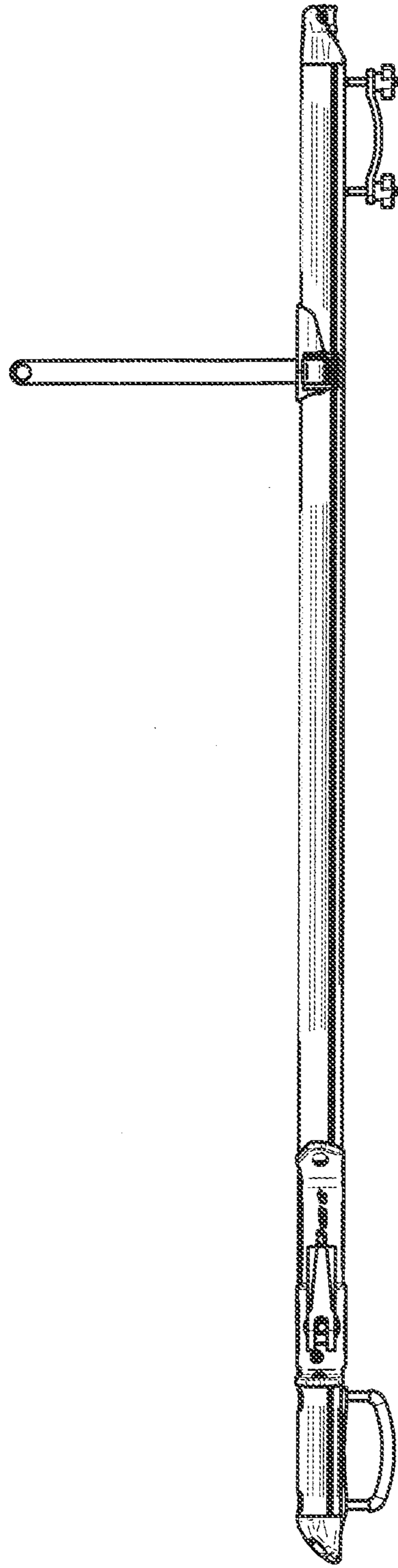


Fig 4

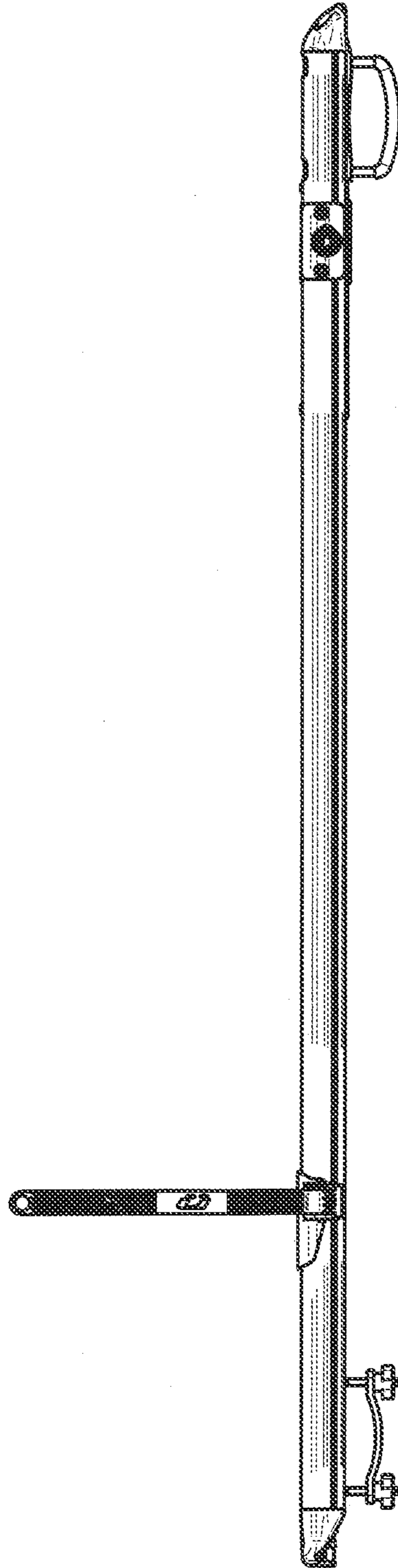


Fig 5



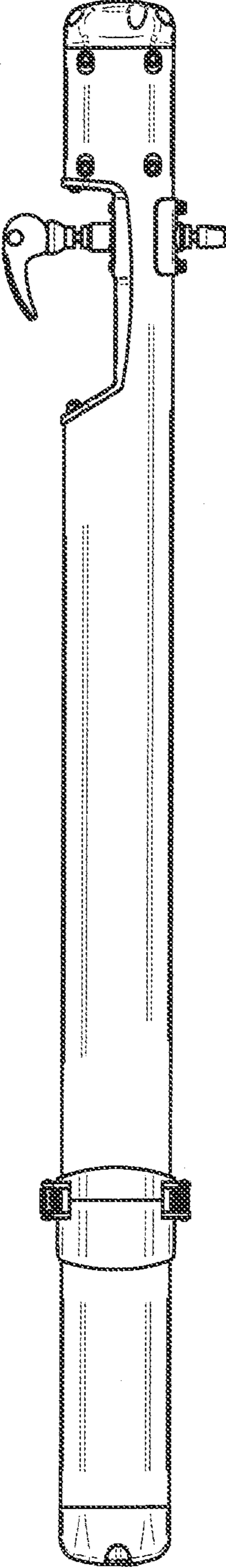


Fig 6

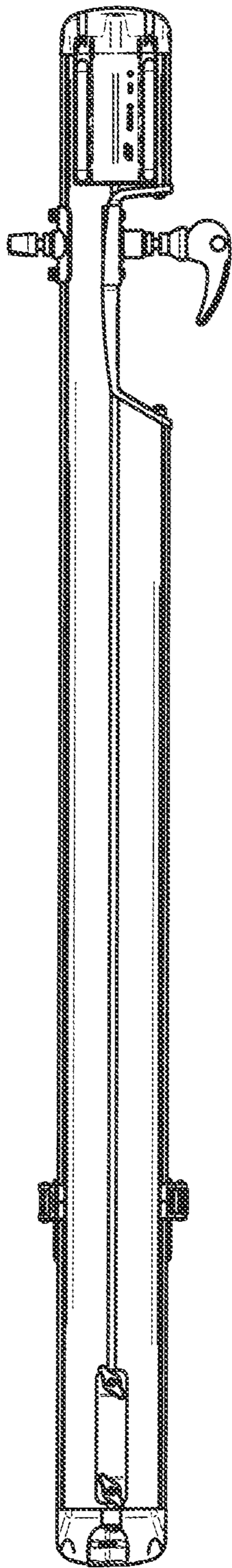


Fig 7