



US00D701159S

(12) **United States Design Patent**
Lambert et al.

(10) **Patent No.:** **US D701,159 S**
(45) **Date of Patent:** **** Mar. 18, 2014**

(54) **TRAILER SUPPORT**

(76) Inventors: **Rodney Lambert**, Las Vegas, NV (US);
Sharon G. Lambert, Las Vegas, NV
(US)

(**) **Term:** **14 Years**

(21) **Appl. No.:** **29/417,897**

(22) **Filed:** **Apr. 10, 2012**

Related U.S. Application Data

(63) Continuation-in-part of application No. 12/617,585,
filed on Nov. 12, 2009, now abandoned.

(51) **LOC (10) Cl.** **12-06**

(52) **U.S. Cl.**
USPC **D12/223**

(58) **Field of Classification Search**
USPC D12/223, 414.1; D8/354, 349;
248/354.3, 354.1, 200, 300; 224/404
See application file for complete search history.

(56) **References Cited**

U.S. PATENT DOCUMENTS

1,958,933	A	5/1934	Williams	
2,777,660	A	1/1957	Albrecht	
3,222,030	A	12/1965	Thorpe	
3,228,646	A	1/1966	Hinrichs et al.	
3,606,231	A	9/1971	Kilborn	
3,655,161	A	4/1972	Schueler	
3,830,024	A	8/1974	Warnke	
4,056,254	A	11/1977	Tooley	
5,232,204	A	8/1993	Nunez	
D375,253	S	11/1996	Campbell	
5,730,455	A *	3/1998	Varnum et al.	280/475
5,947,431	A *	9/1999	Kiggins	248/200

6,023,800	A	2/2000	Stickley	
6,042,074	A	3/2000	Cusimano	
6,119,412	A	9/2000	Jackson	
D435,433	S	12/2000	Miller et al.	
6,256,939	B1	7/2001	Snyder	
6,302,238	B1	10/2001	Preusser et al.	
6,363,685	B1	4/2002	Kugler	
6,467,741	B1	10/2002	Shih	
6,612,533	B2	9/2003	Biles et al.	
D549,085	S	8/2007	Mevissen et al.	
7,293,667	B2	11/2007	Flynn	
D604,588	S *	11/2009	Charette	D8/349
7,735,268	B1 *	6/2010	Zidar et al.	52/127.2
2005/0161571	A1	7/2005	Wood	
2006/0186284	A1	8/2006	Root	

* cited by examiner

Primary Examiner — Sheryl Lane

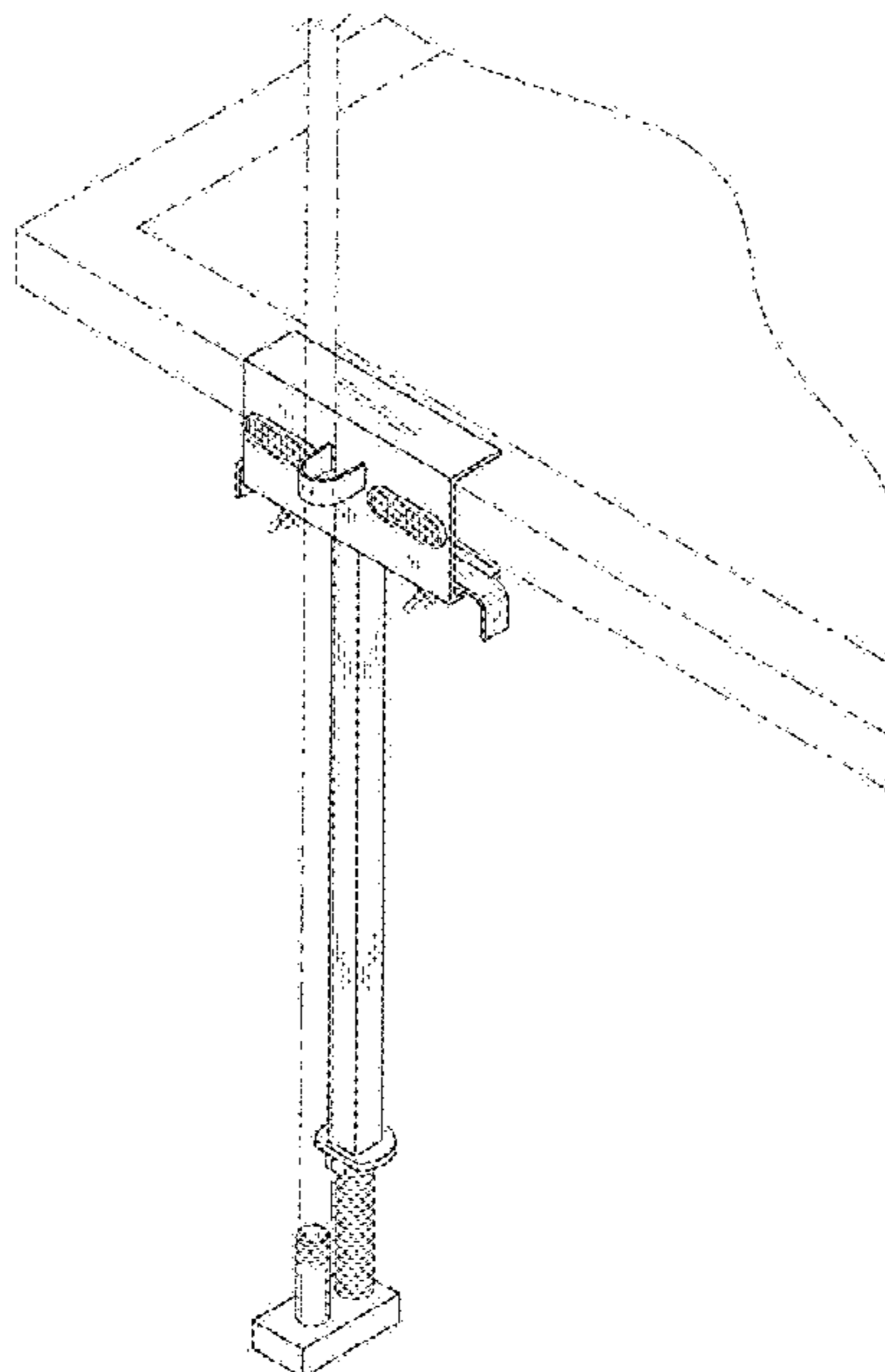
(57) **CLAIM**

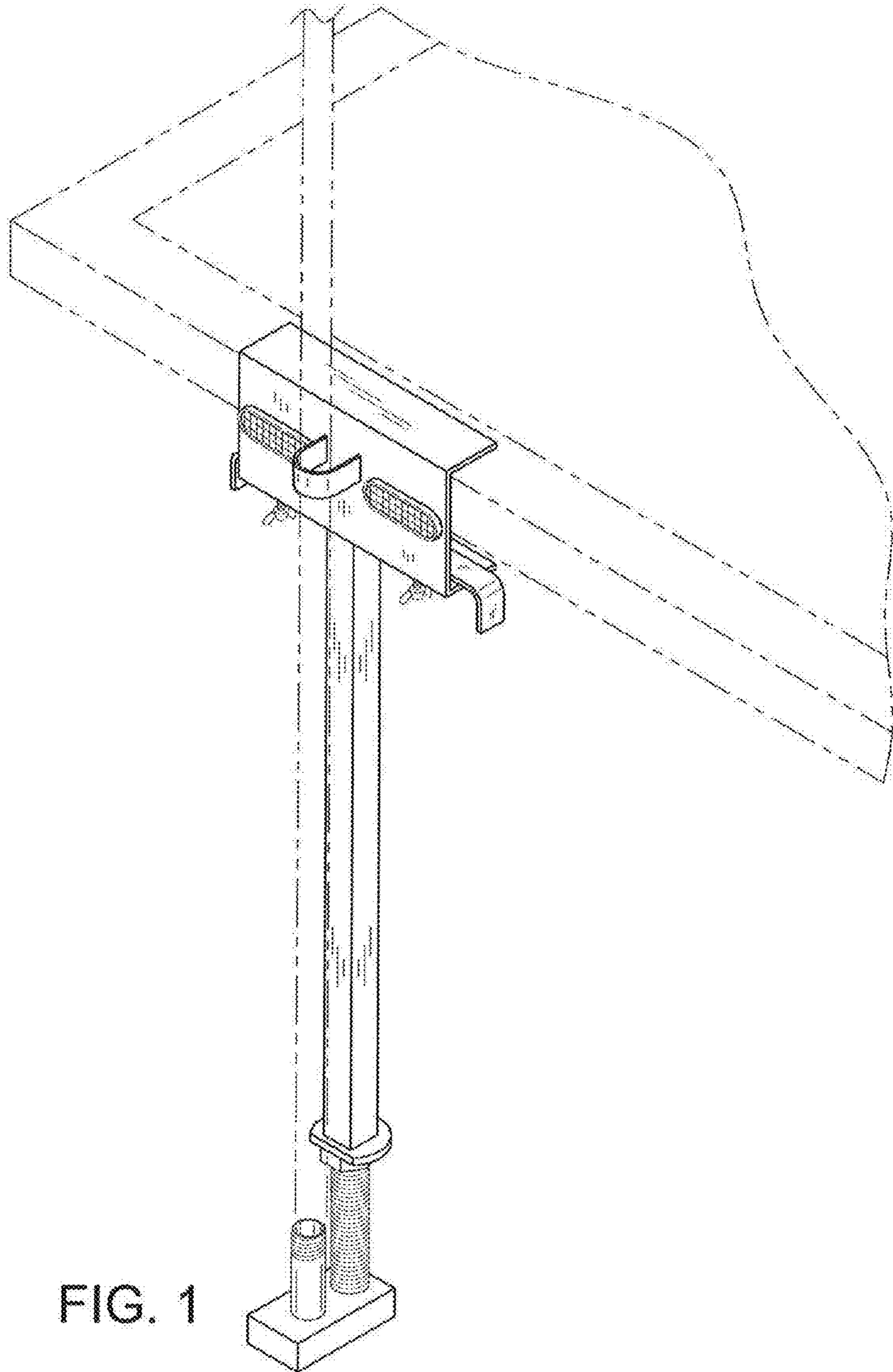
The ornamental design for a trailer support, as shown and described.

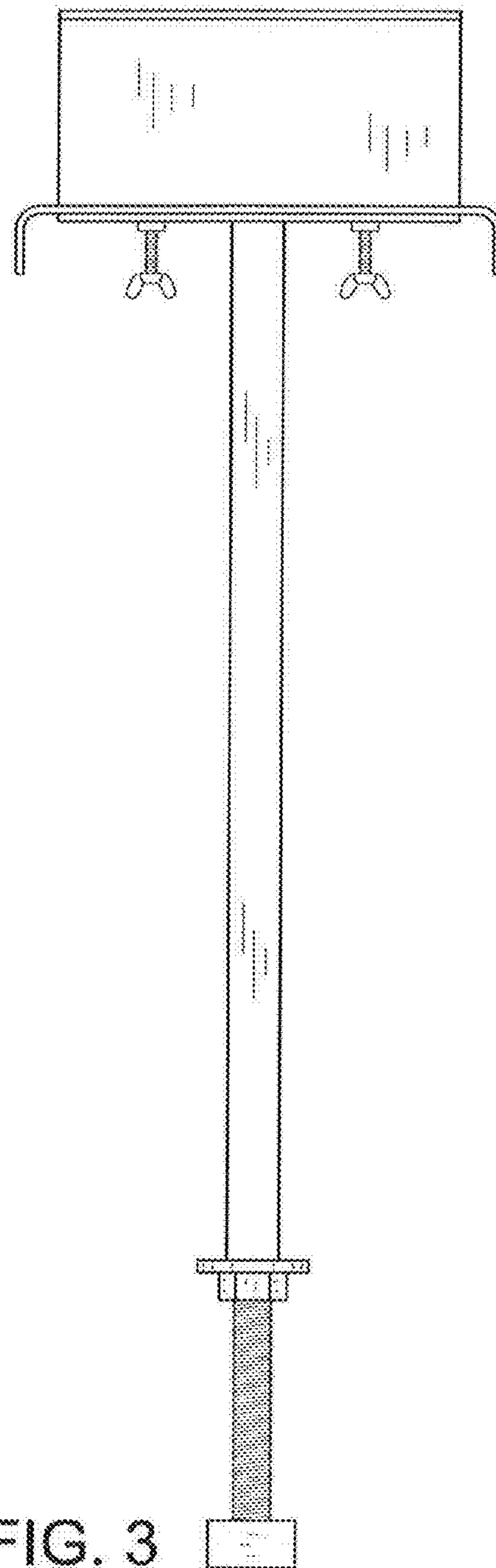
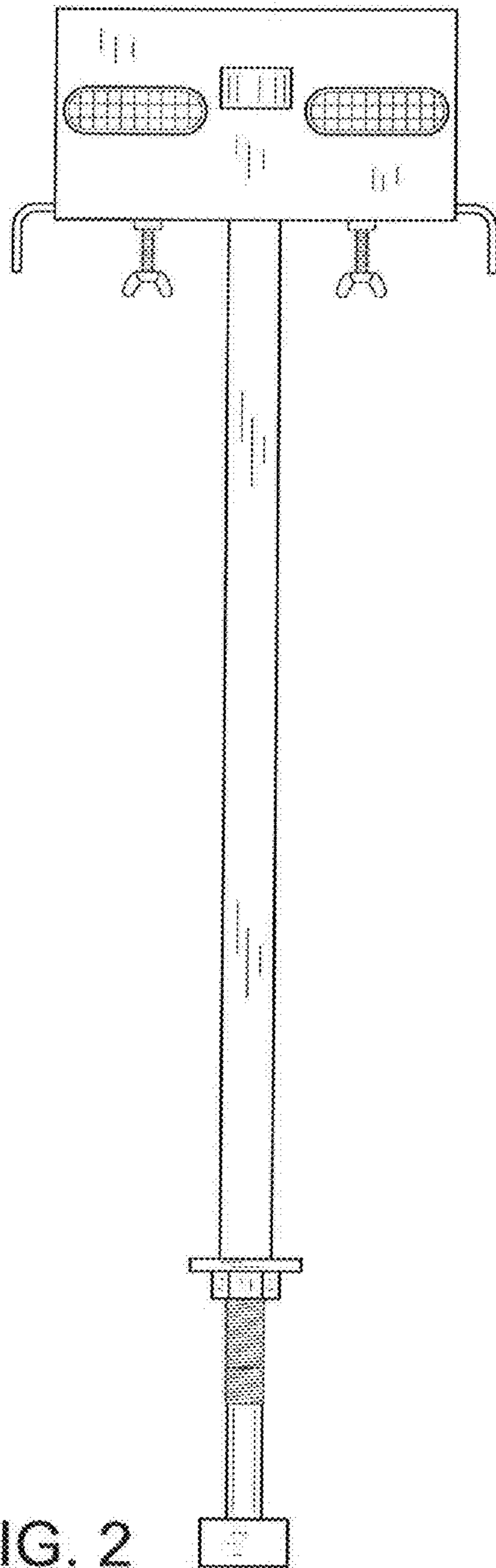
DESCRIPTION

FIG. 1 is a perspective in use view of a trailer support showing my new design;
FIG. 2 is a front view thereof;
FIG. 3 is a back view thereof;
FIG. 4 is a side view (opposite side view is mirror image) thereof;
FIG. 5 is a top view thereof; and,
FIG. 6 is a bottom view thereof.
In FIG. 1, the broken lines showing of environmental structure for purposes of illustrating the trailer support in a condition of use. The broken lines and the structure they depict form no part of the claimed design.

1 Claim, 3 Drawing Sheets







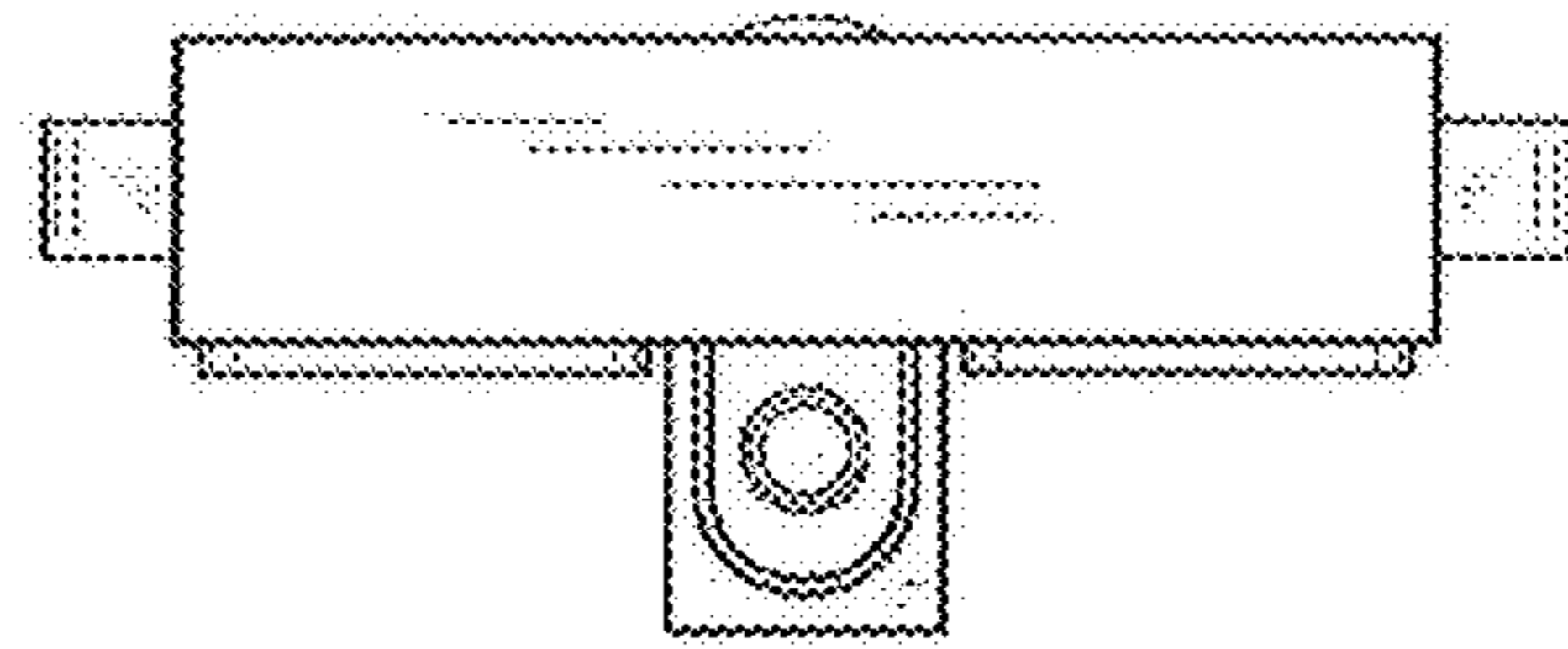
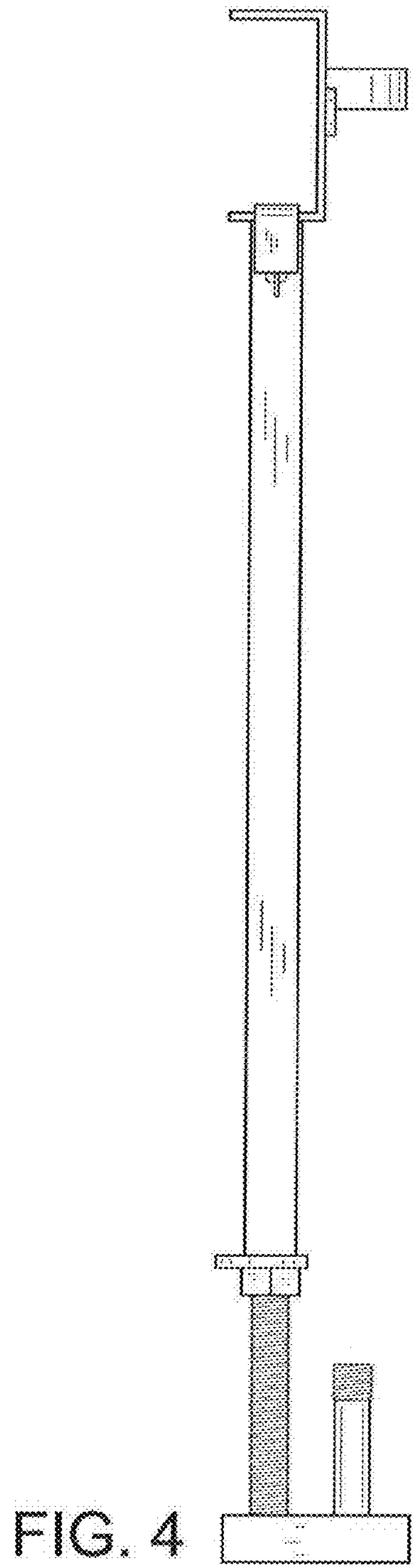


FIG. 5

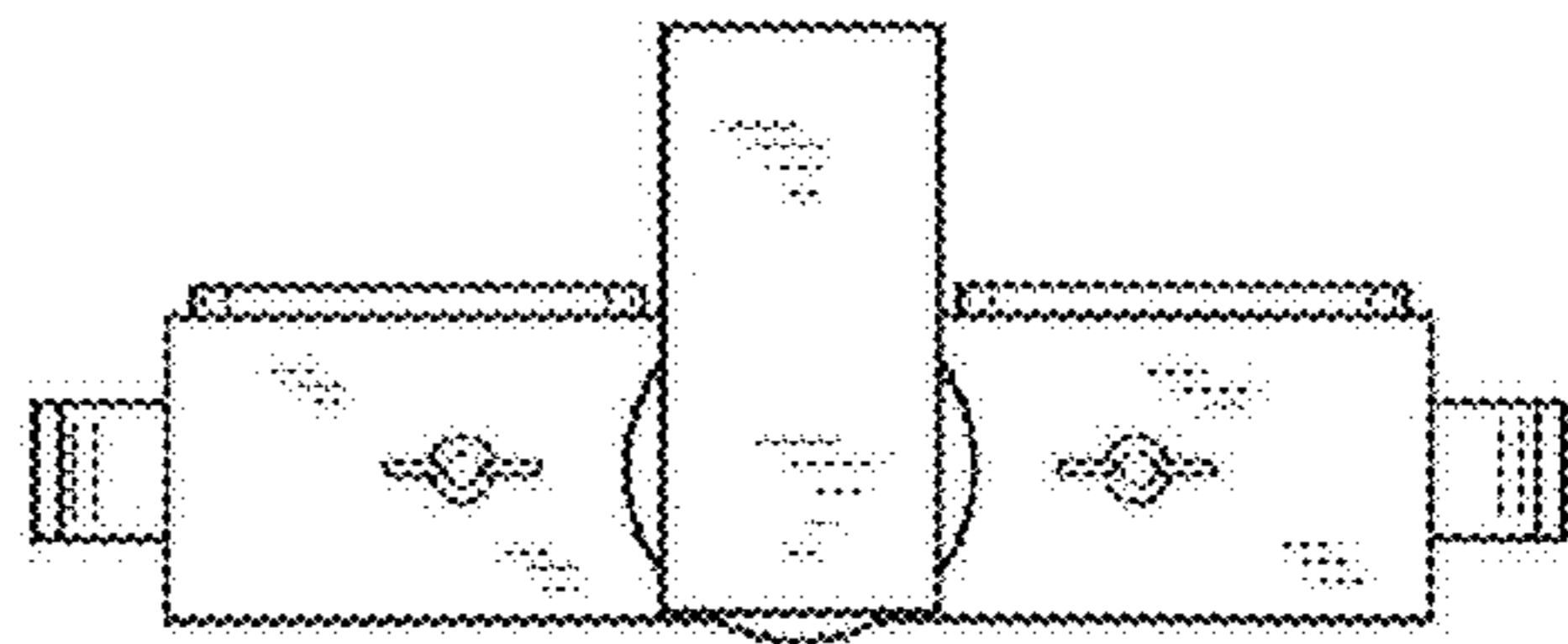


FIG. 6