



US00D701157S

(12) **United States Design Patent**  
**McMath**

(10) **Patent No.:** **US D701,157 S**  
(45) **Date of Patent:** **\*\* Mar. 18, 2014**

(54) **WHEEL**

(71) Applicant: **Robert Roy McMath**, Riverside, CA  
(US)

(72) Inventor: **Robert Roy McMath**, Riverside, CA  
(US)

(\*\*) Term: **14 Years**

(21) Appl. No.: **29/447,334**

(22) Filed: **Mar. 1, 2013**

(51) **LOC (10) Cl.** ..... **12-16**

(52) **U.S. Cl.**  
USPC ..... **D12/211**

(58) **Field of Classification Search**  
USPC ..... D12/204–213; 301/37.101, 64.101, 65,  
301/64.201

See application file for complete search history.

(56) **References Cited**

**U.S. PATENT DOCUMENTS**

D431,807 S	*	10/2000	Fitzgerald	.....	D12/211
D460,938 S	*	7/2002	Fitzgerald	.....	D12/209
D503,917 S	*	4/2005	Kushartanto	.....	D12/209
D504,858 S	*	5/2005	Pfeiffer	.....	D12/209
D508,671 S	*	8/2005	Baum	.....	D12/209

D516,979 S	*	3/2006	Muzzarelli	.....	D12/209
D521,435 S	*	5/2006	Fitzgerald	.....	D12/209
D536,294 S	*	2/2007	Laengerer	.....	D12/211
D554,034 S	*	10/2007	Madden	.....	D12/209
D589,425 S	*	3/2009	Theiss	.....	D12/209
D595,631 S	*	7/2009	Musser	.....	D12/211
D617,713 S	*	6/2010	Zhao	.....	D12/209
D624,475 S	*	9/2010	Zhao	.....	D12/209
D658,561 S	*	5/2012	Foose	.....	D12/209
D662,868 S	*	7/2012	Furst et al.	.....	D12/209
D669,011 S	*	10/2012	Chung	.....	D12/211

\* cited by examiner

*Primary Examiner* — Stacia Cadmus

(74) *Attorney, Agent, or Firm* — Curtis L. Harrington;  
Harrington & Harrington

(57) **CLAIM**

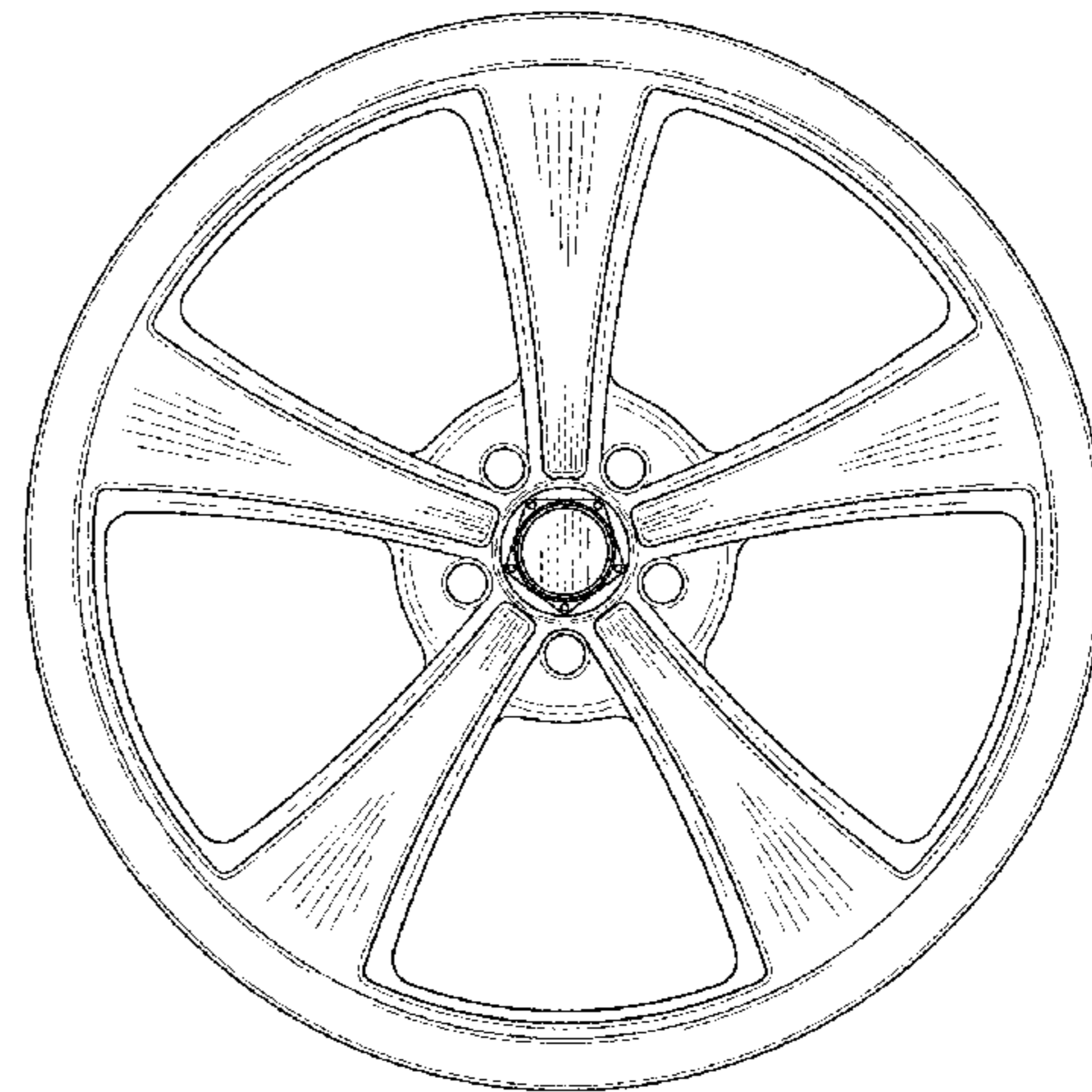
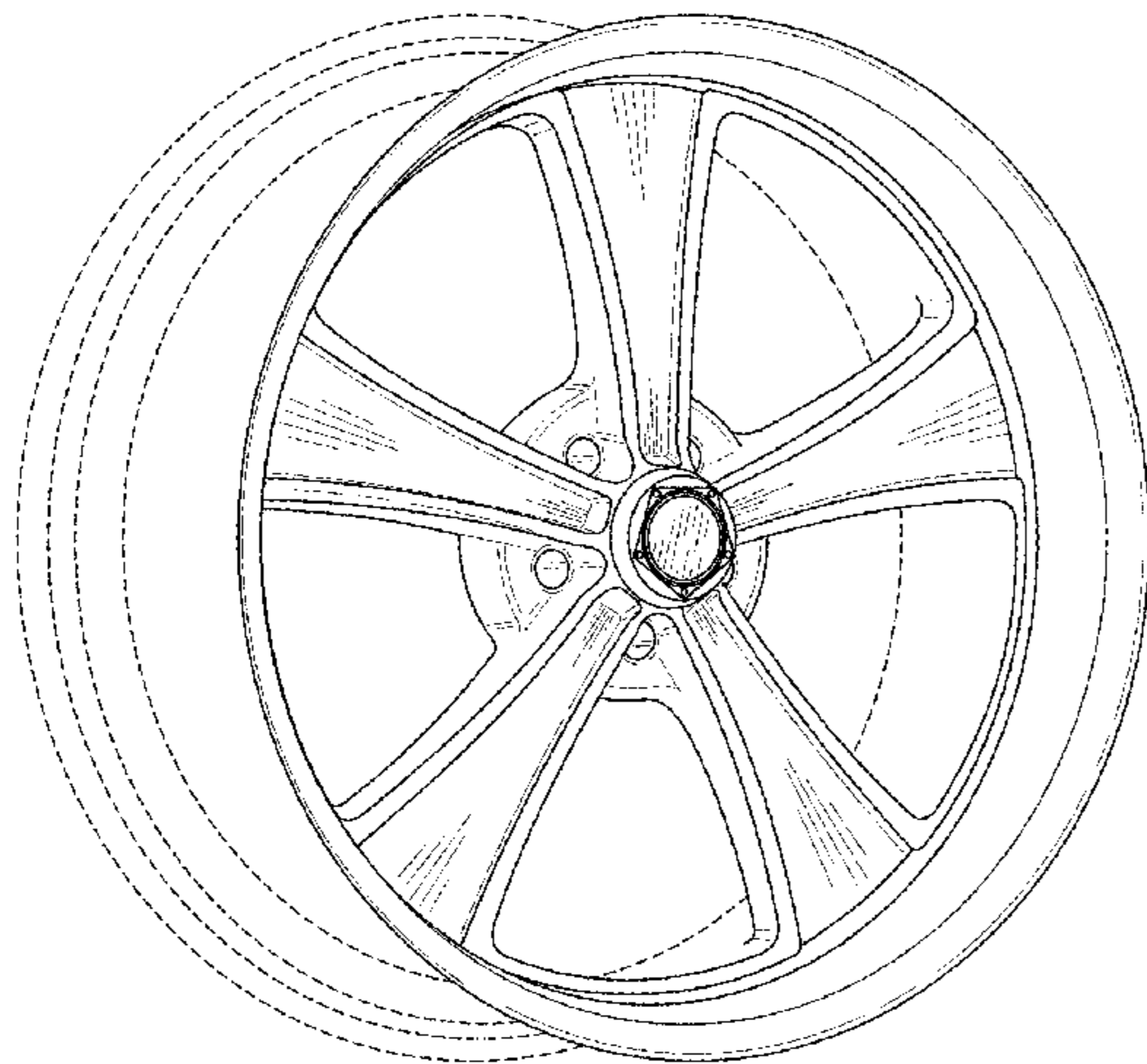
The ornamental design for a wheel, as shown and described.

**DESCRIPTION**

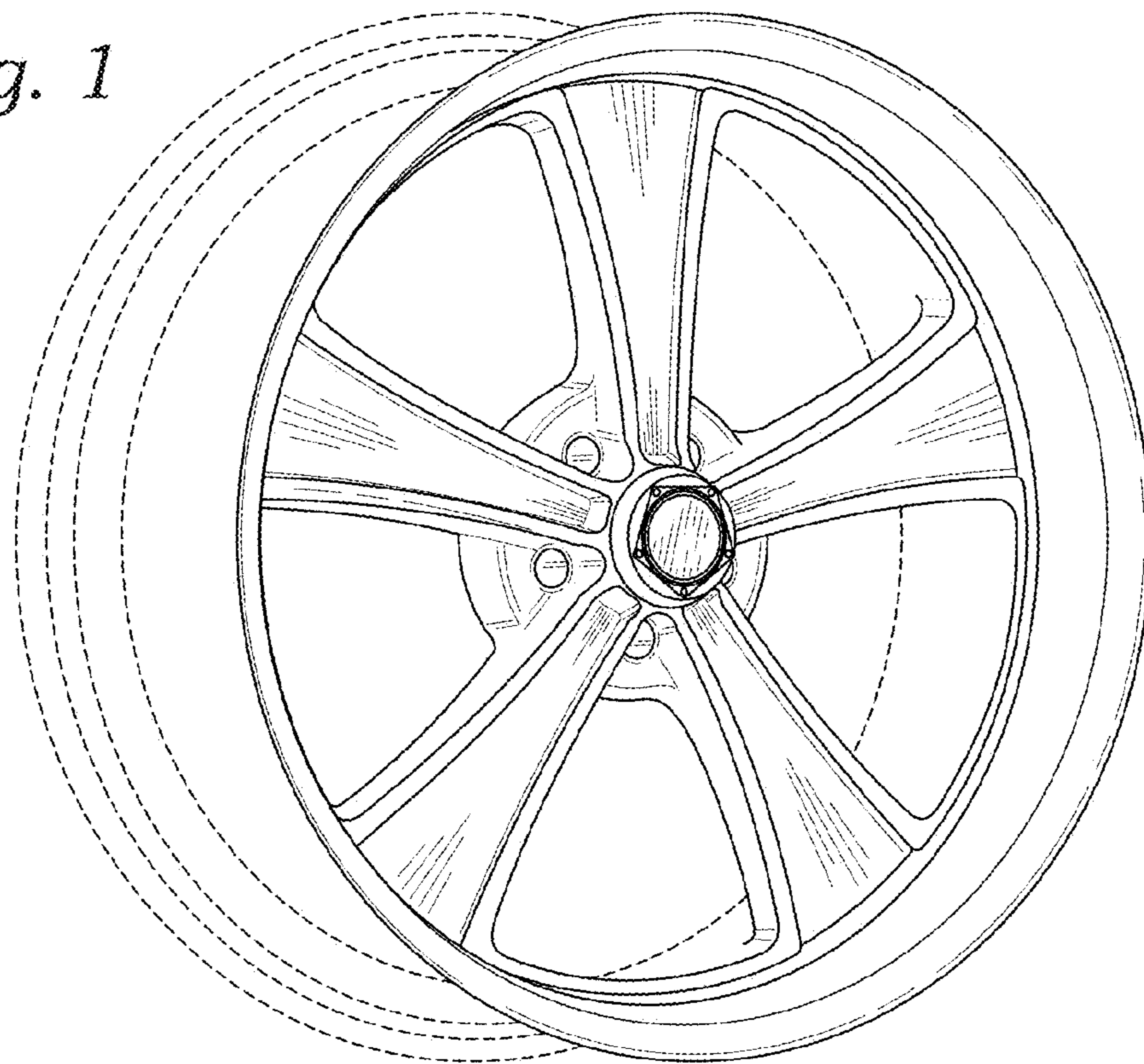
FIG. 1 is a front perspective view of the wheel; and,  
FIG. 2 is a front view thereof.

The broken line showing the rear of the rim is included for the purpose of illustrating environment and forms no part of the claimed design.

**1 Claim, 1 Drawing Sheet**



*Fig. 1*



*Fig. 2*

