



US00D701156S

(12) **United States Design Patent**
McFarlin

(10) **Patent No.:** **US D701,156 S**
(45) **Date of Patent:** **** Mar. 18, 2014**

- (54) **WHEEL**
- (71) Applicant: **Omix-Ada, Inc.**, Suwanee, GA (US)
- (72) Inventor: **Reid McFarlin**, Suwanee, GA (US)
- (73) Assignee: **OMIX-Ada, Inc.**, Suwanee, GA (US)
- (**) Term: **14 Years**
- (21) Appl. No.: **29/465,181**
- (22) Filed: **Aug. 26, 2013**
- (51) **LOC (10) Cl.** **12-16**
- (52) **U.S. Cl.**
USPC **D12/210**
- (58) **Field of Classification Search**
USPC D12/204-213; 301/37.101, 64.101, 65,
301/64.201
See application file for complete search history.

- D454,529 S * 3/2002 Pfeiffer et al. D12/210
- D492,926 S * 7/2004 Fitzgerald D12/210
- D515,002 S * 2/2006 Looho D12/210
- D572,648 S * 7/2008 Musser D12/210
- D590,759 S * 4/2009 Eaton D12/210
- D593,475 S * 6/2009 Chung D12/210

* cited by examiner

Primary Examiner — Stacia Cadmus
(74) *Attorney, Agent, or Firm* — Womble Carlyle Sandridge & Rice, LLP

(57) **CLAIM**
The ornamental design for a wheel, as shown and described.

DESCRIPTION

FIG. 1 is a top perspective view of a wheel showing our new design.
FIG. 2 is a bottom perspective thereof.
FIG. 3 is a left elevation view thereof, the front and back elevations being the same as the left elevation.
FIG. 4 is a right elevation view thereof.
FIG. 5 is a top plan view thereof; and,
FIG. 6 is a bottom plan view thereof.

1 Claim, 5 Drawing Sheets

- (56) **References Cited**
U.S. PATENT DOCUMENTS
D427,961 S * 7/2000 Donikoglu D12/210
D436,910 S * 1/2001 Hale, Jr. D12/210

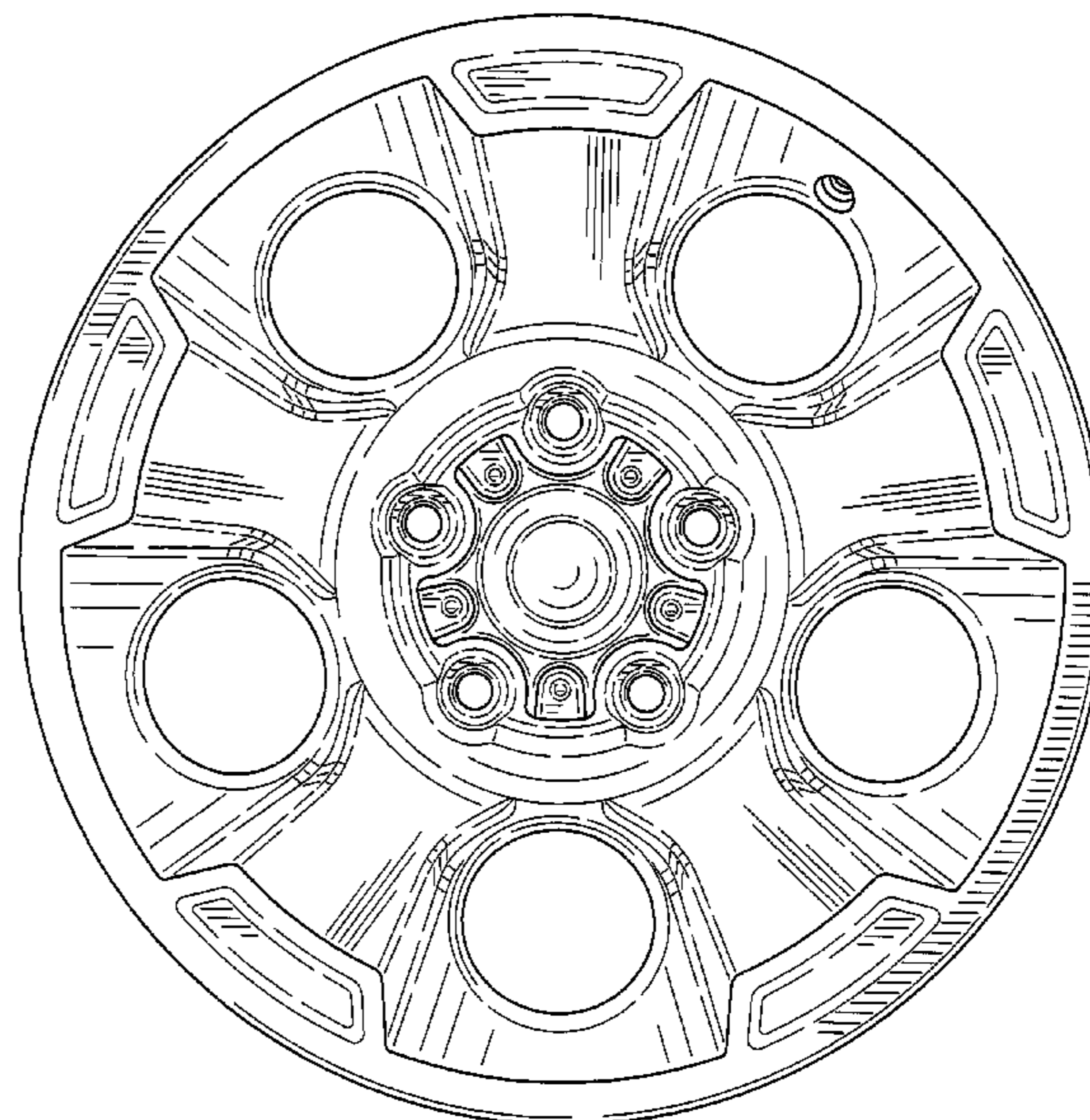
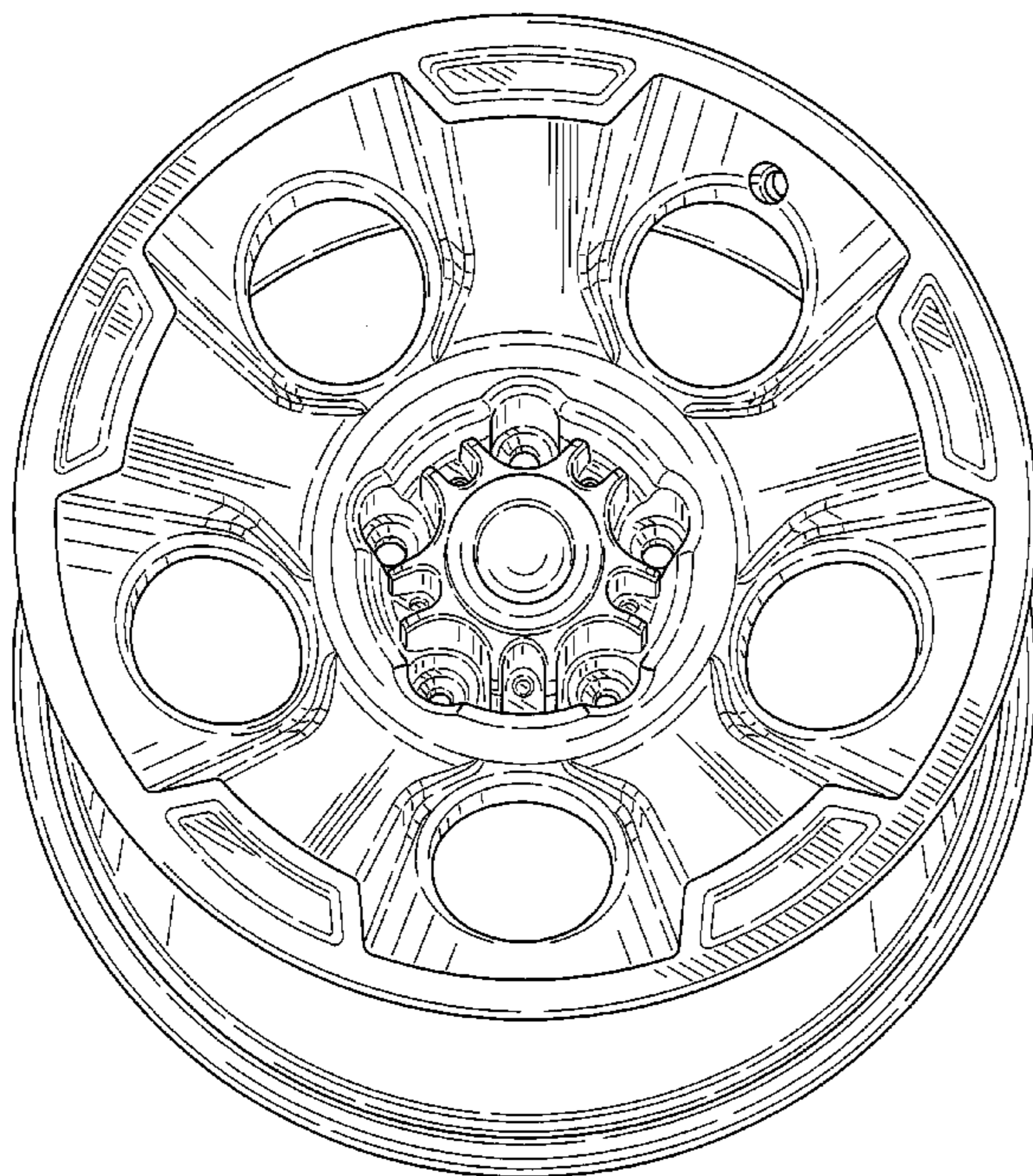




FIG. 1

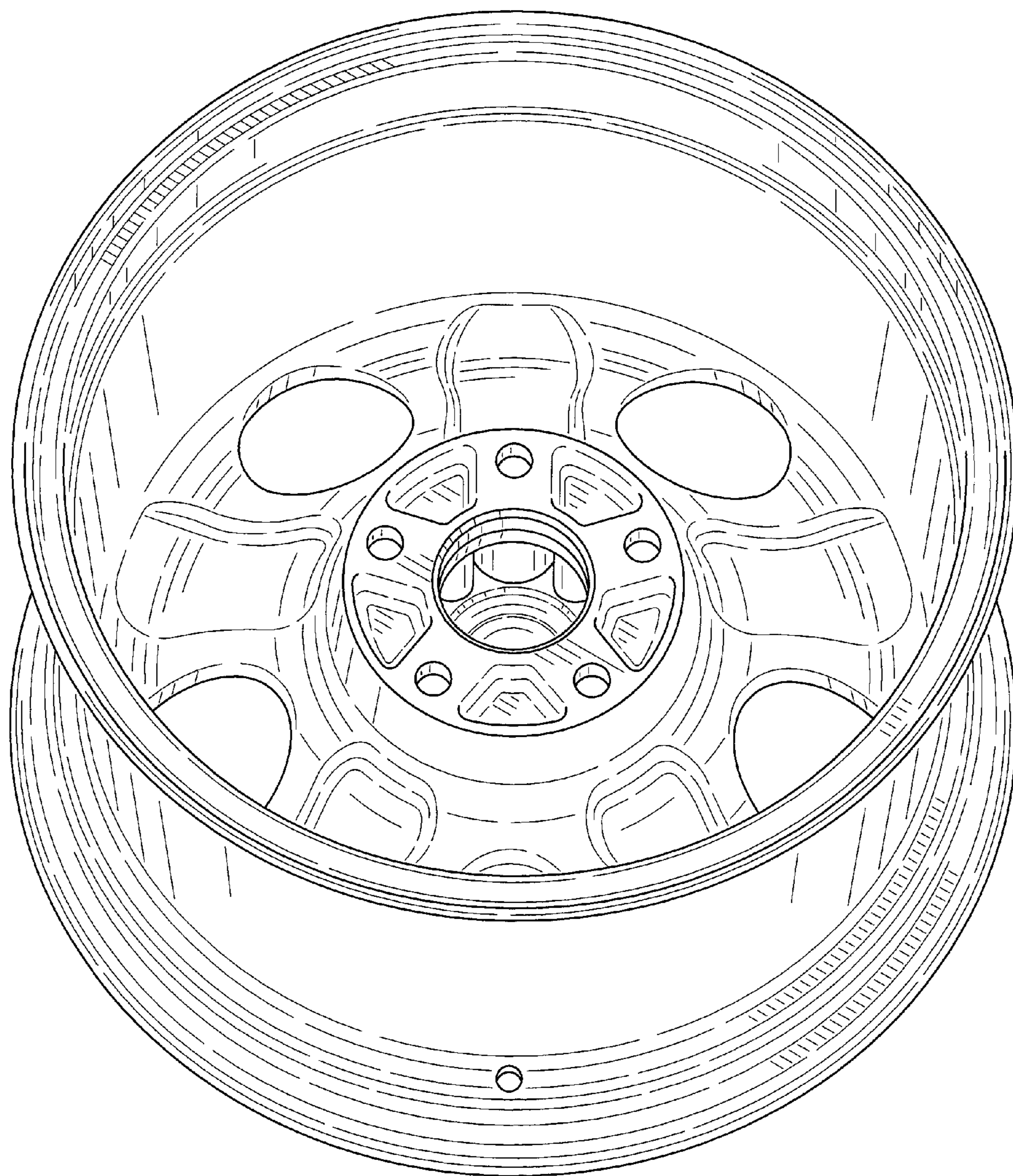


FIG. 2

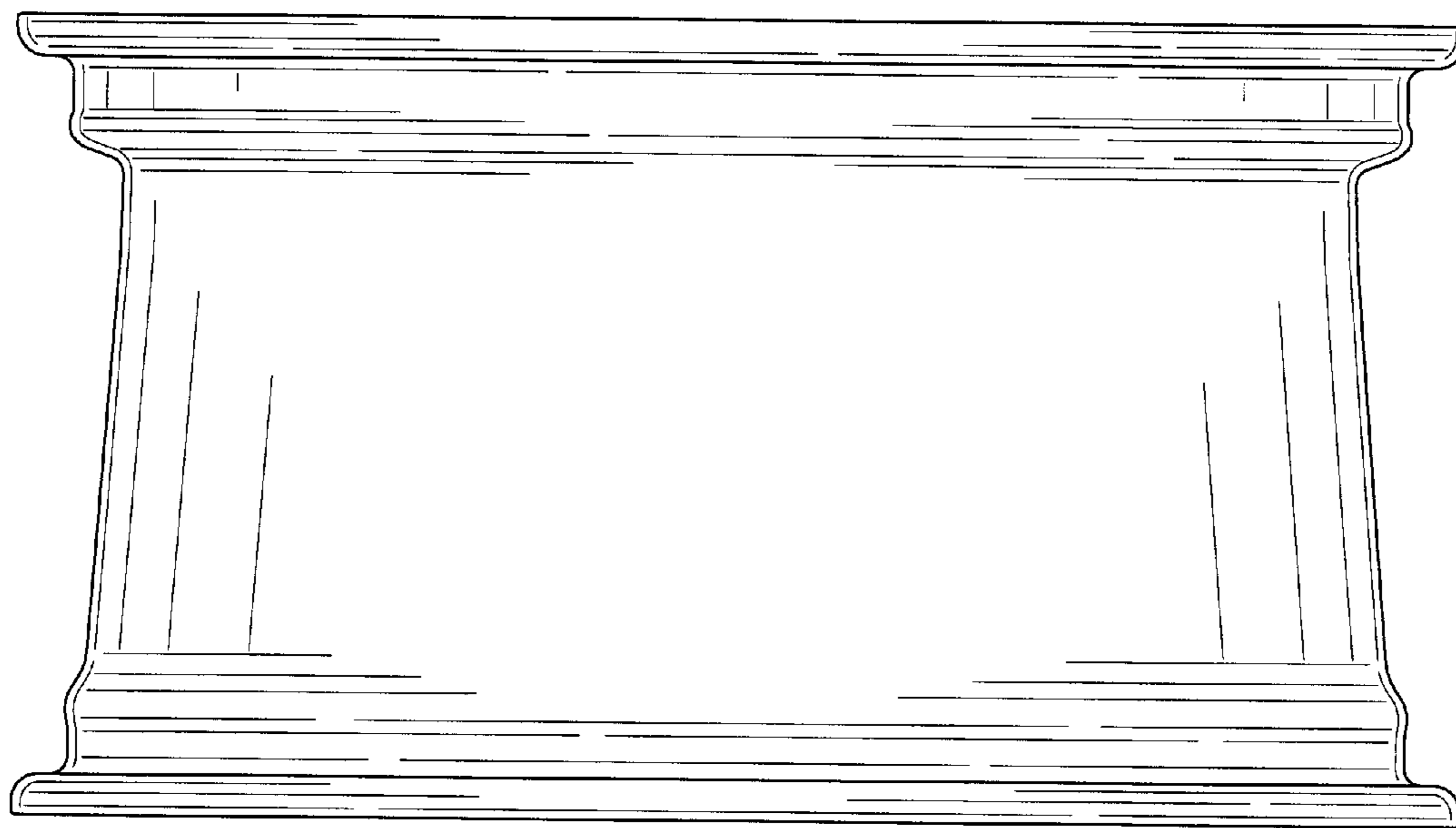


FIG. 3

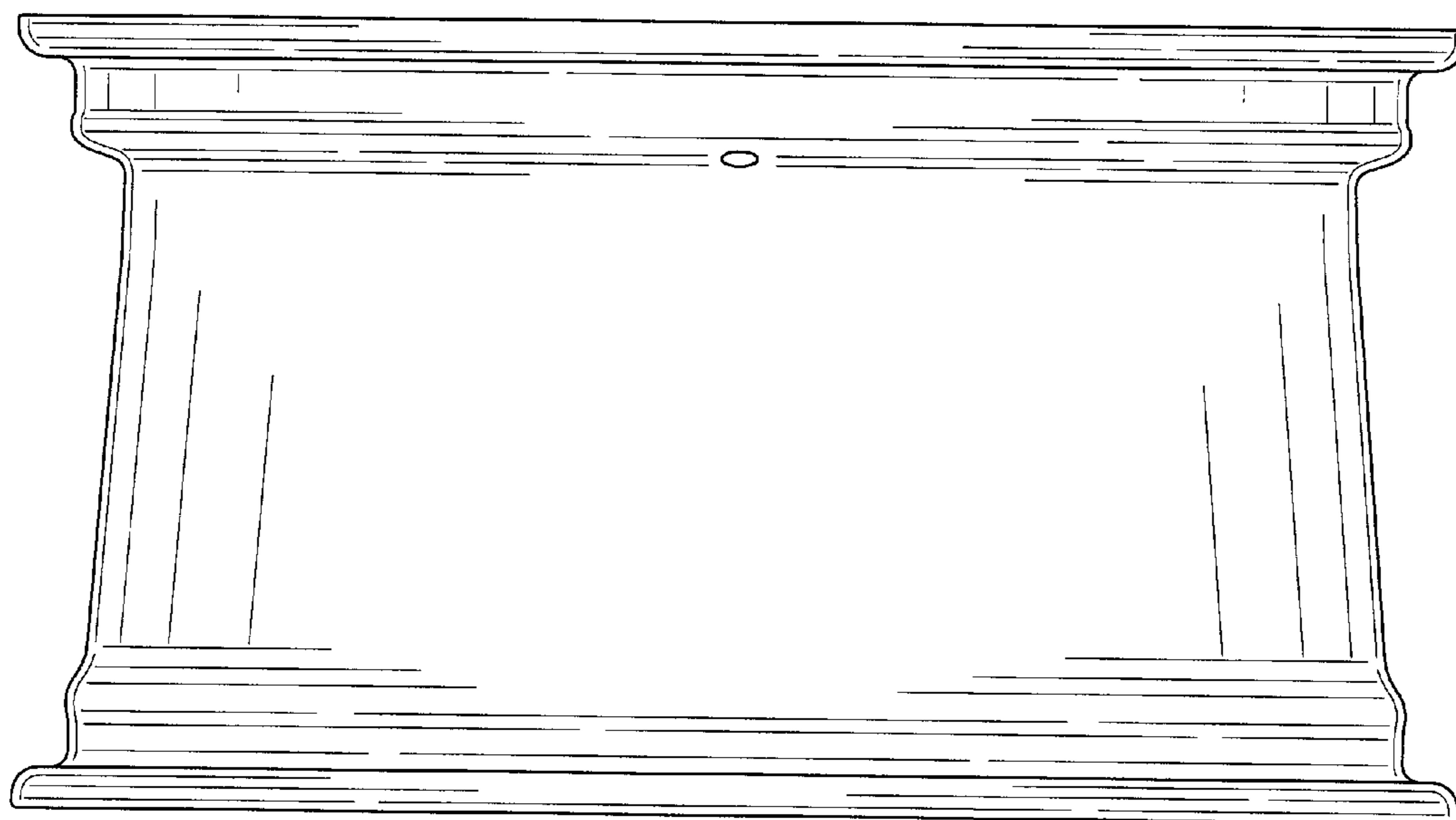


FIG. 4

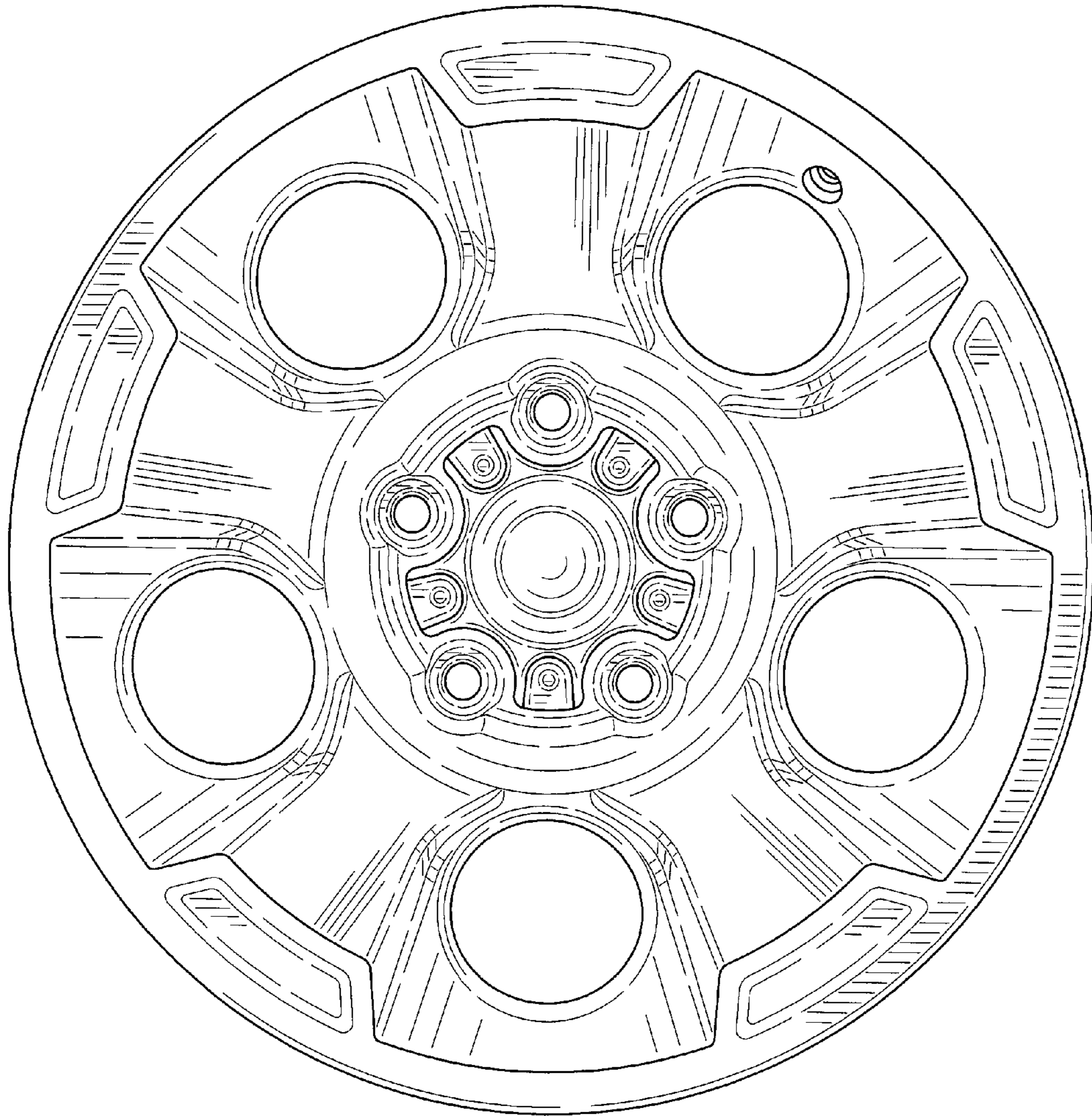


FIG. 5

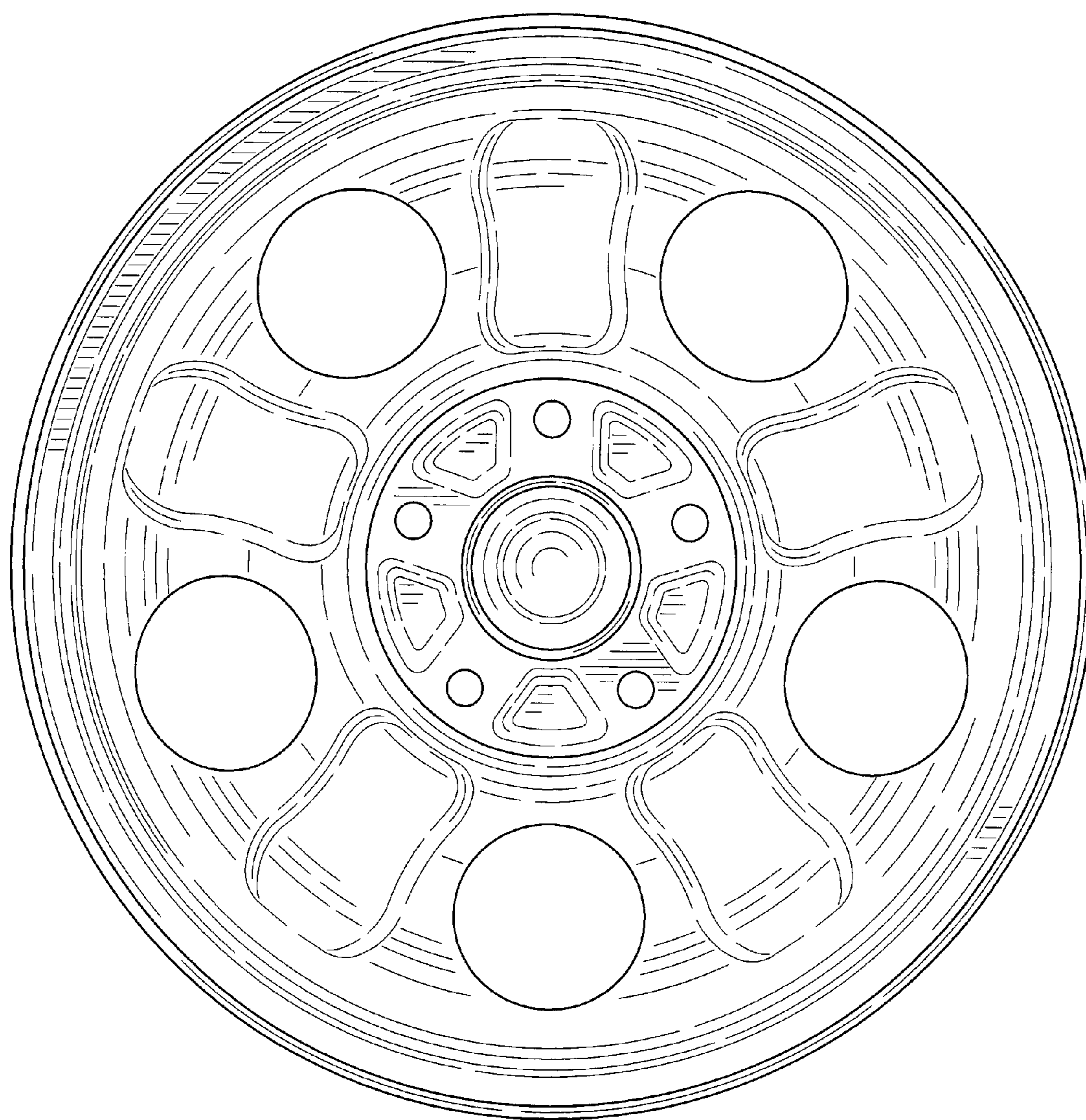


FIG. 6