



US00D701148S

(12) **United States Design Patent**
Brakespeare et al.

(10) **Patent No.:** **US D701,148 S**
(45) **Date of Patent:** **** Mar. 18, 2014**

(54) **FOLDING TRAILER FOR TRANSPORTING
MOTORBIKES AND BICYCLES**

(75) Inventors: **Darren James Brakespeare**, Hamilton Hill (AU); **Arthur Romaine Brakespeare**, Hamilton Hill (AU)

(73) Assignees: **Lipegg Pty Ltd**, Hamilton Hill (AU); **PP&L Enterprises Pty Ltd**, Hamilton Hill (AU)

(**) Term: **14 Years**

(21) Appl. No.: **29/327,500**

(22) Filed: **Feb. 17, 2009**

(51) **LOC (10) Cl.** **12-10**

(52) **U.S. Cl.**
USPC **D12/101**

(58) **Field of Classification Search**
USPC D12/101-106; 126/569, 621, 704;
320/101, 136; 296/180.2, 181.3, 164,
296/165, 100.06; 280/204, 656, 400, 415.1;
D15/27; D21/433, 434, 552-560;
62/275; 180/326, 208; 473/139
See application file for complete search history.

(56) **References Cited**

U.S. PATENT DOCUMENTS

D402,923 S * 12/1998 Neault et al. D12/101
D412,684 S * 8/1999 Roth D12/101

D469,388 S * 1/2003 Mighell D12/101
D485,787 S * 1/2004 Smith D12/101
D523,779 S * 6/2006 Mattila D12/101
D534,099 S * 12/2006 Prusmack D12/101
D561,648 S * 2/2008 Shelton D12/101
D578,041 S * 10/2008 Prusmack D12/101
D618,139 S * 6/2010 Whitfield D12/101
D619,933 S * 7/2010 McIntosh et al. D12/101
D626,461 S * 11/2010 Barrios et al. D12/101
7,850,184 B1 * 12/2010 Beckman, Sr. 280/204
D648,656 S * 11/2011 Crane D12/101

* cited by examiner

Primary Examiner — Austin Murphy

(74) *Attorney, Agent, or Firm* — QuickPatents; Kevin Prince

(57) **CLAIM**

We claim the ornamental design for a folding trailer for transporting motorbikes and bicycles, as shown and described.

DESCRIPTION

FIG. 1 is a right-side perspective view of a folding trailer for transporting motorbikes and bicycles, showing our new design;

FIG. 2 is a left-side elevational view thereof;

FIG. 3 is a right-side elevational view thereof;

FIG. 4 is a top plan view thereof;

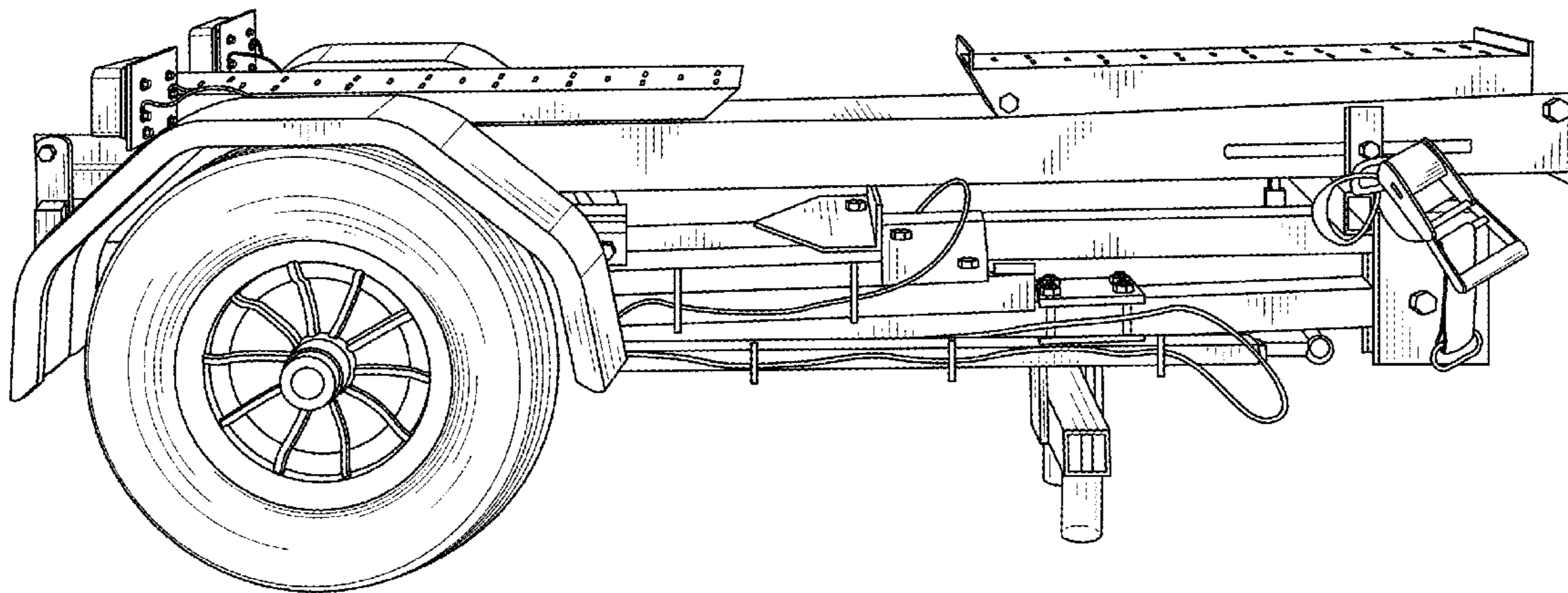
FIG. 5 is a bottom plan view thereof;

FIG. 6 is a rear elevational view thereof; and,

FIG. 7 is a front elevational view thereof.

The broken lines in FIGS. 5-7 depict environmental matter, and form no part of the claimed design.

1 Claim, 6 Drawing Sheets



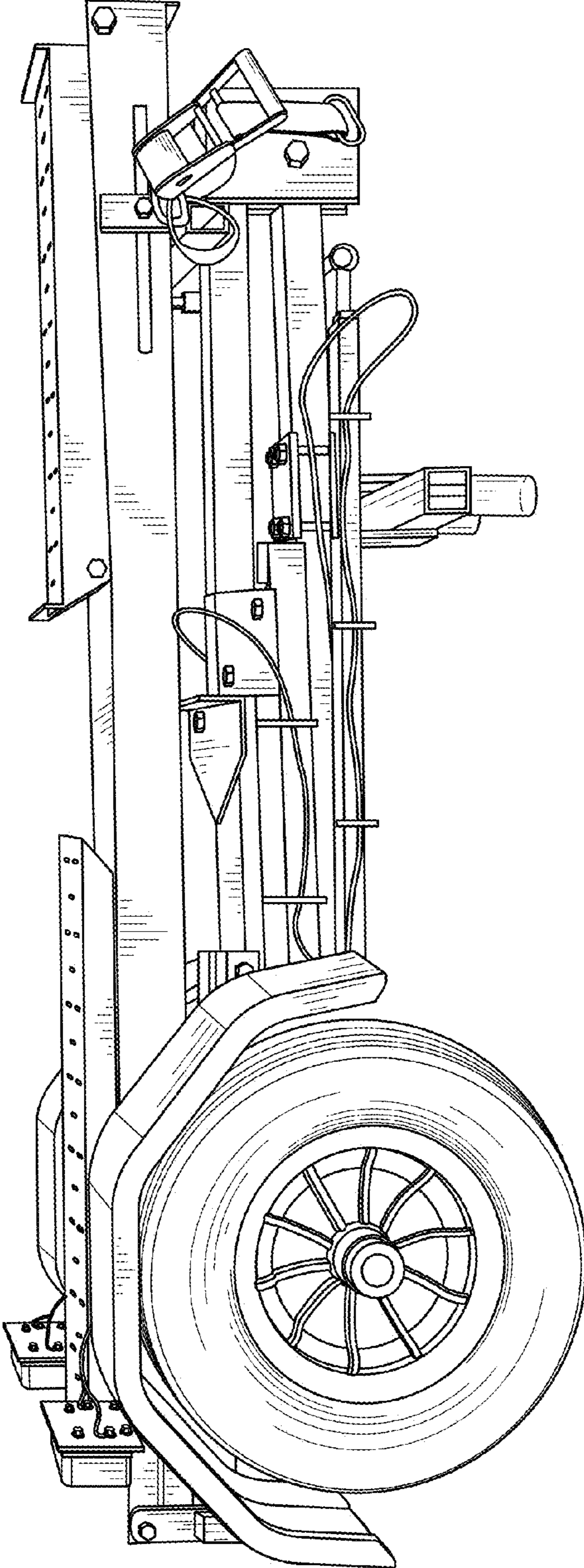


FIG. 1

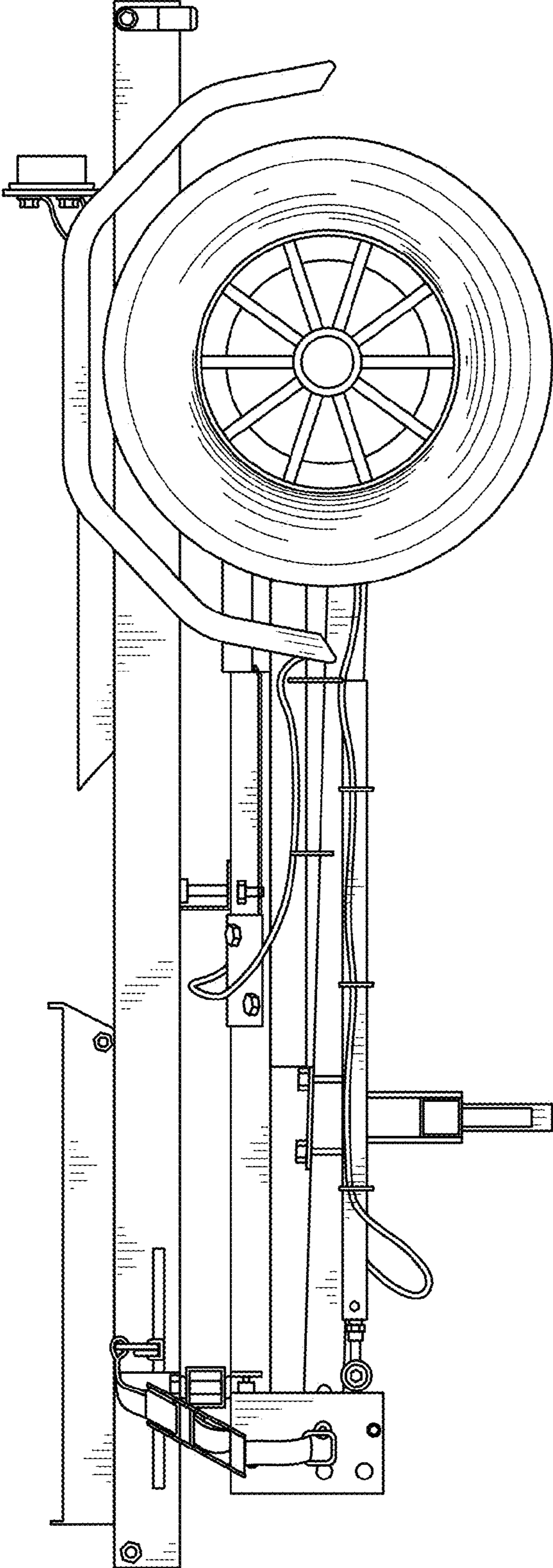


FIG. 2

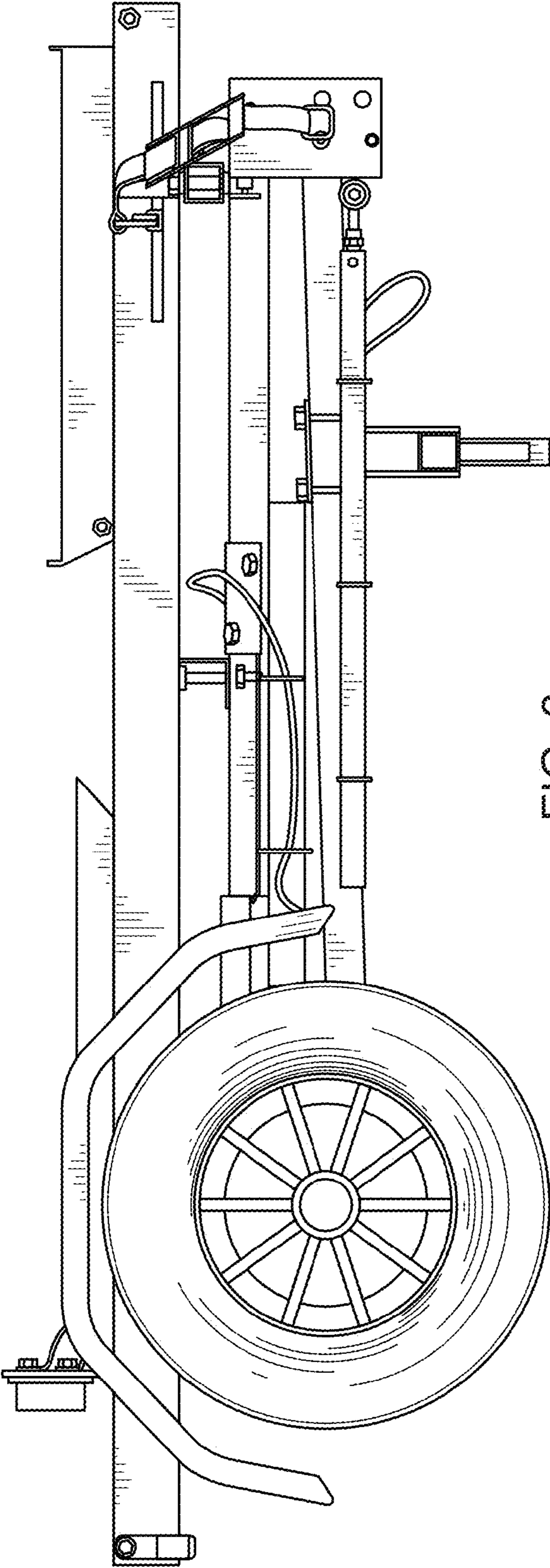


FIG. 3

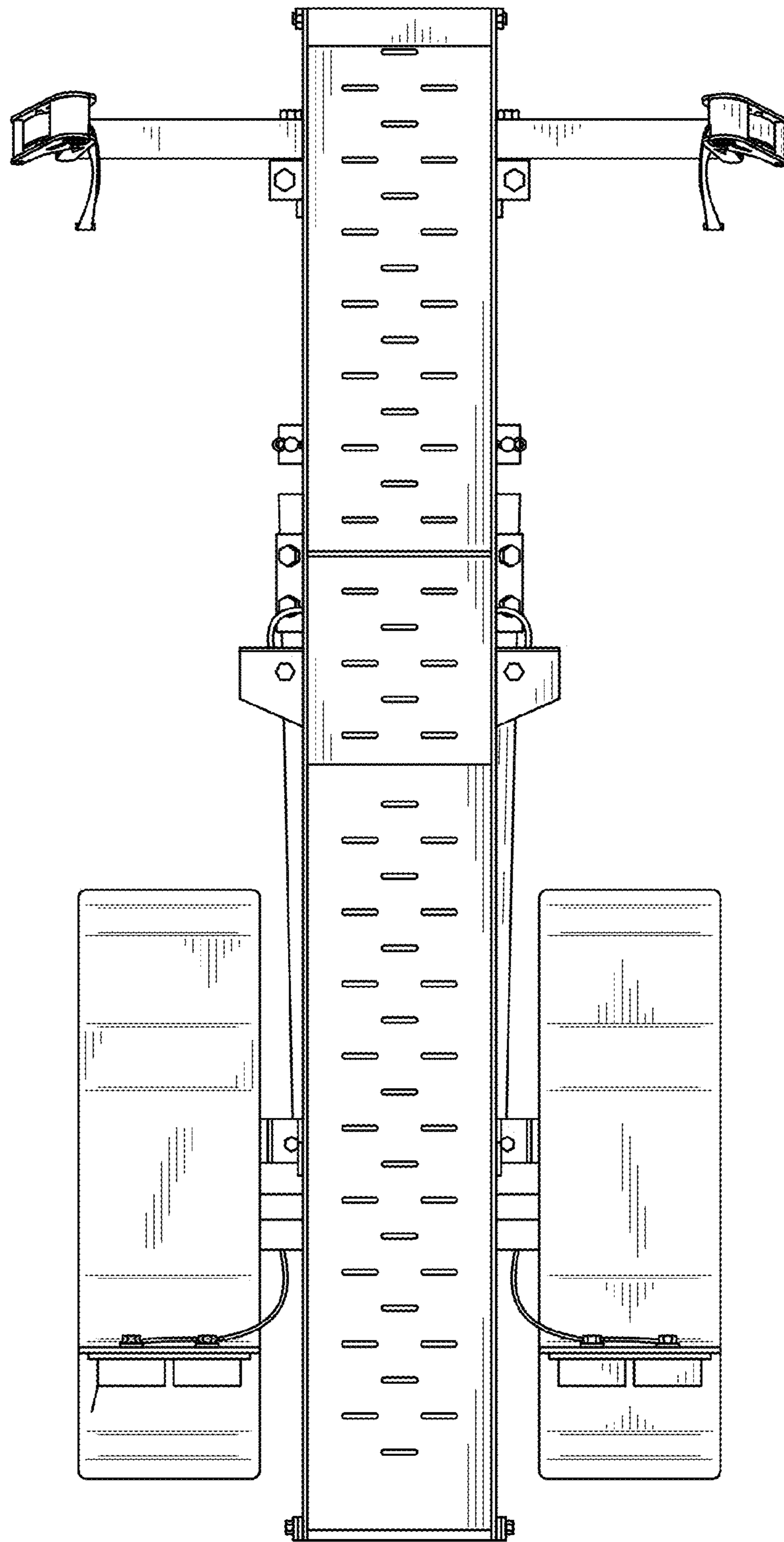


FIG. 4

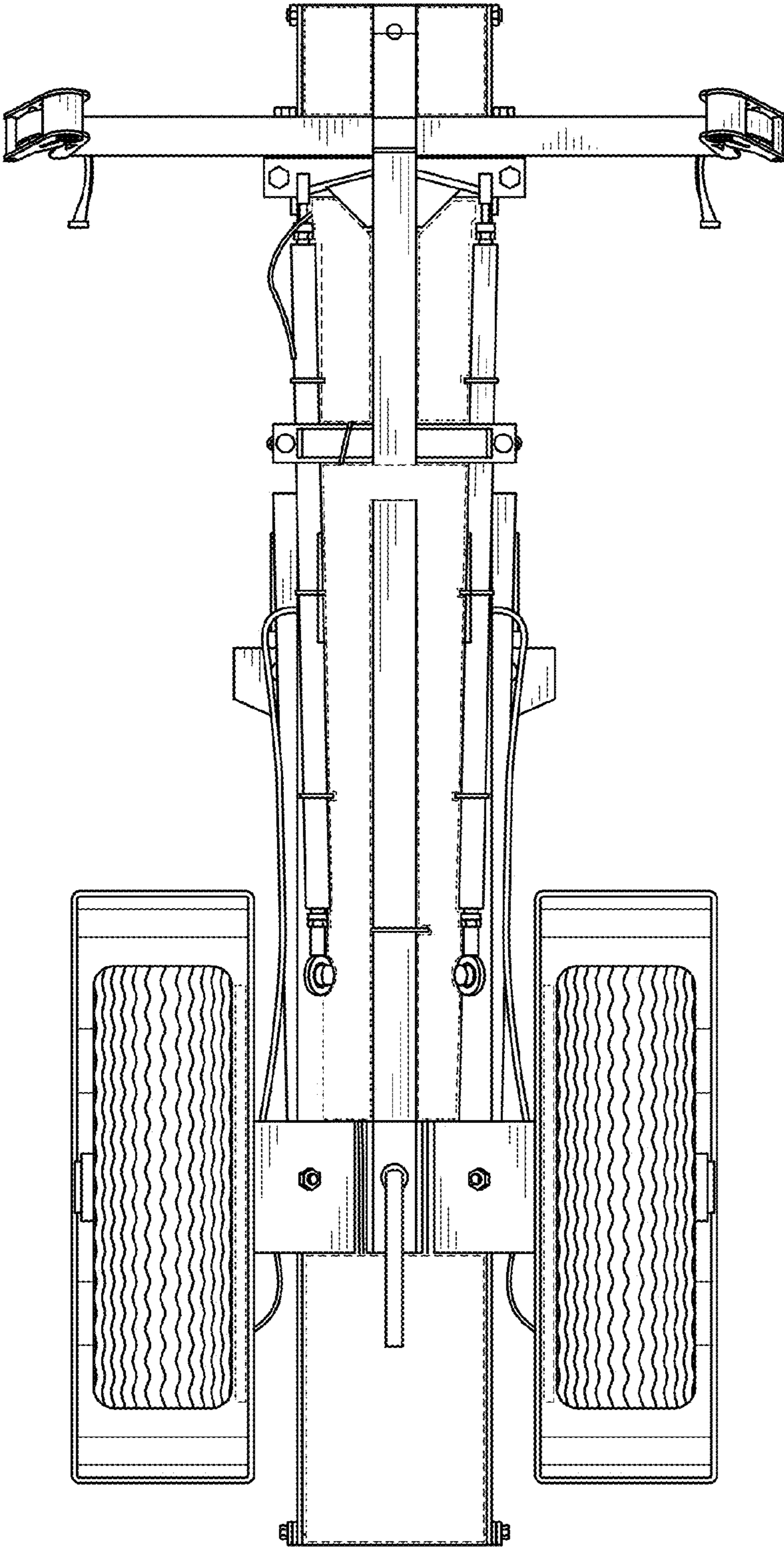


FIG. 5

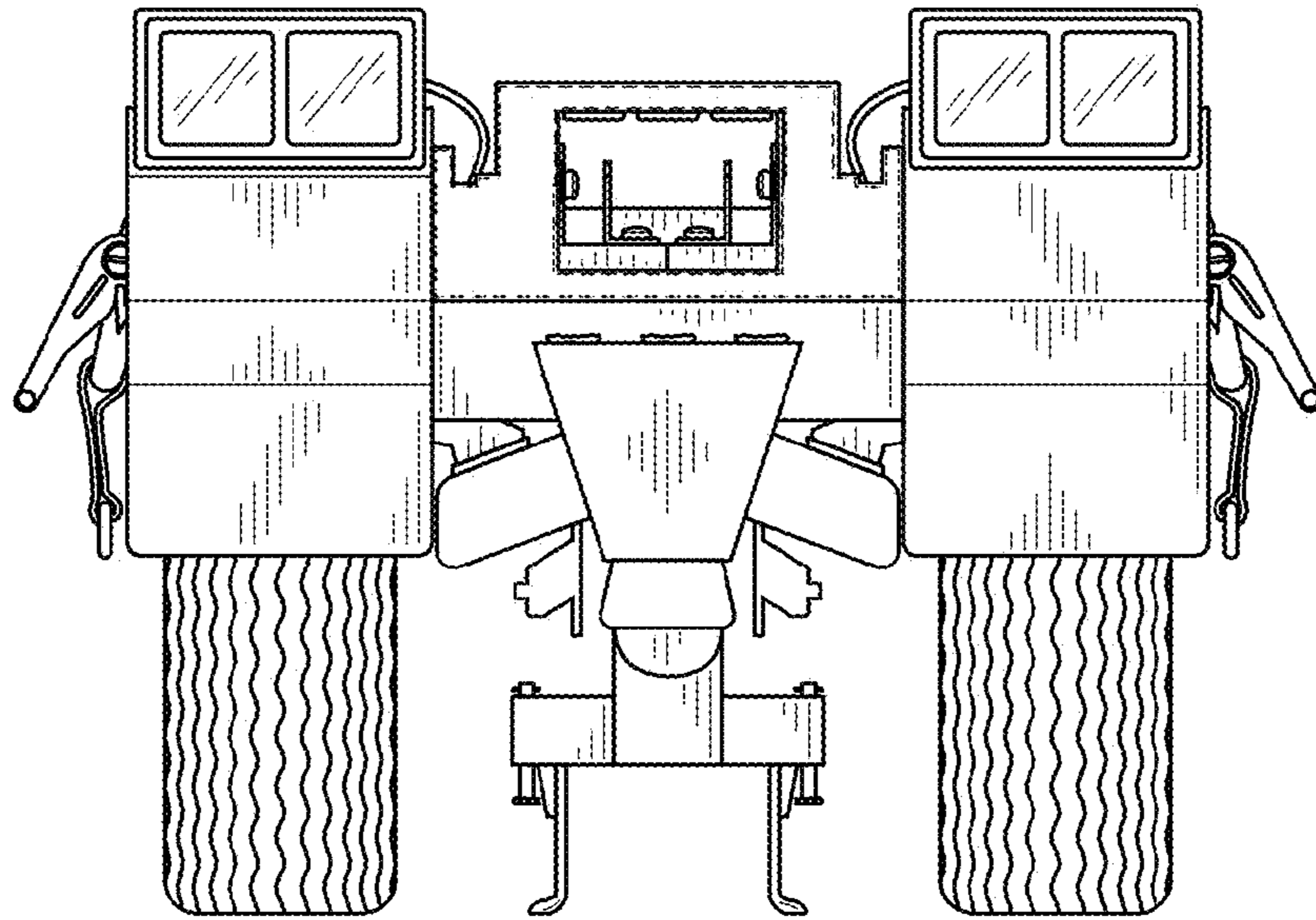


FIG. 6

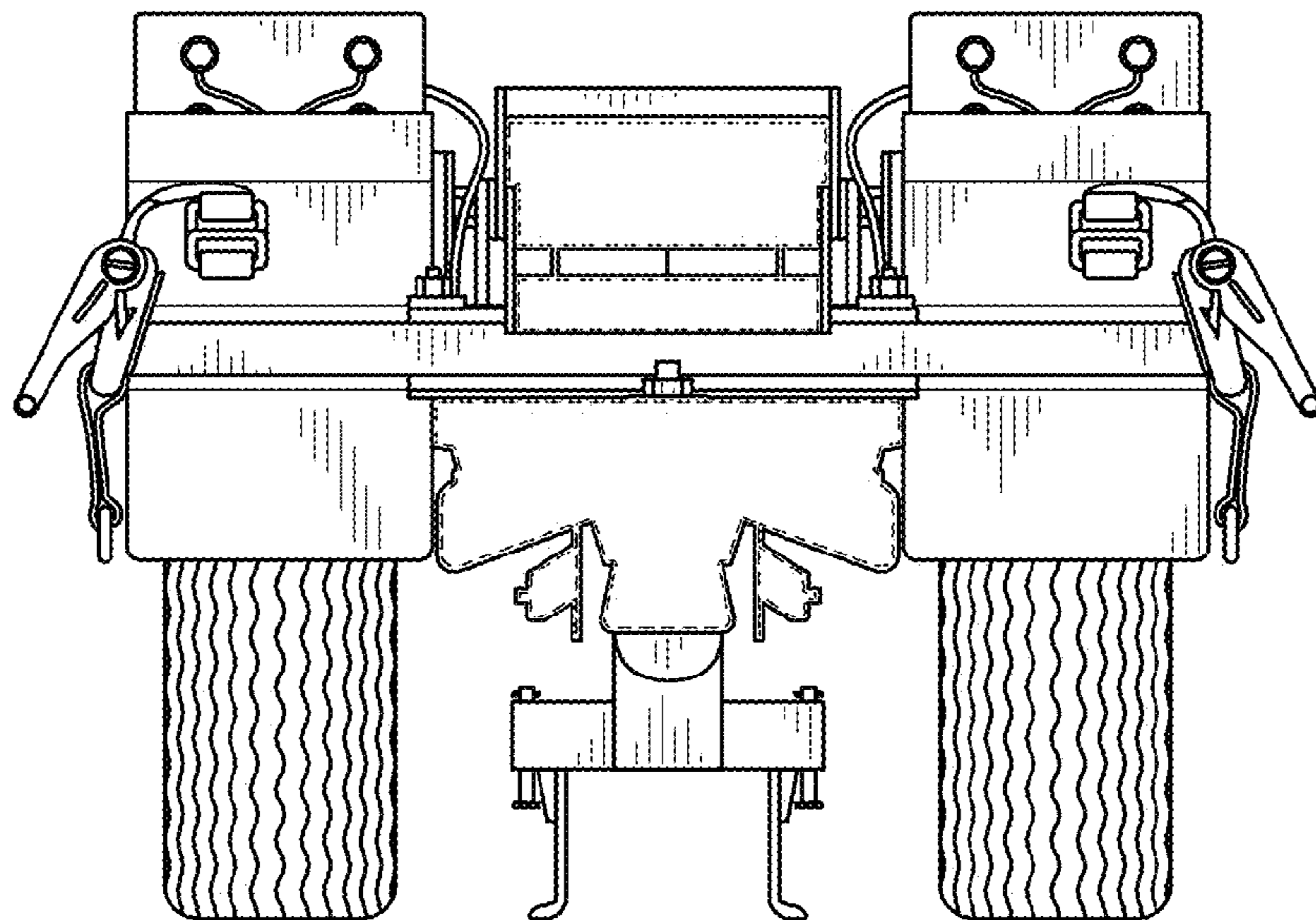


FIG. 7