



US00D701145S

(12) **United States Design Patent**
Bischoff et al.

(10) **Patent No.:** **US D701,145 S**
(45) **Date of Patent:** **** Mar. 18, 2014**

- (54) **MOTOR VEHICLE**
- (71) Applicant: **Volkswagen Aktiengesellschaft,**
Wolfsburg (DE)
- (72) Inventors: **Klaus Bischoff,** Evessen (DE); **Marc**
Lichte, Braunschweig (DE); **Stefan**
Wallburg, Alterode (DE)
- (73) Assignee: **Volkswagen Aktiengesellschaft,**
Wolfsburg (DE)
- (**) Term: **14 Years**
- (21) Appl. No.: **29/435,001**
- (22) Filed: **Oct. 18, 2012**
- (51) **LOC (10) Cl.** **12-08**
- (52) **U.S. Cl.**
USPC **D12/91**
- (58) **Field of Classification Search**
USPC D12/86, 90-92; D21/424, 433, 434;
296/181.1, 181.5
See application file for complete search history.

- D620,394 S * 7/2010 Bischoff et al. D12/91
- D620,840 S * 8/2010 Bischoff et al. D12/91
- D626,885 S * 11/2010 Bischoff et al. D12/91
- D637,943 S * 5/2011 Bischoff et al. D12/92
- D671,034 S * 11/2012 Bischoff et al. D12/91
- D671,035 S * 11/2012 Bischoff et al. D12/91
- D678,126 S * 3/2013 Bischoff et al. D12/92
- D683,656 S * 6/2013 Bischoff et al. D12/91
- D690,231 S * 9/2013 Bischoff et al. D12/91

* cited by examiner

Primary Examiner — Melody Brown

(74) *Attorney, Agent, or Firm* — Lucas & Mercanti, LLP;
Klaus P. Stoffel

(57) **CLAIM**

The ornamental design for a motor vehicle, as shown and described.

DESCRIPTION

FIG. 1 is a front, right side perspective view of the motor vehicle of the present invention;
 FIG. 2 is a front, left side perspective view thereof;
 FIG. 3 is a rear, right side perspective view thereof;
 FIG. 4 is a rear, left side perspective view thereof;
 FIG. 5 is a right side view thereof;
 FIG. 6 is a left side view thereof;
 FIG. 7 is a front view thereof;
 FIG. 8 is a rear view thereof;
 FIG. 9 is a top view thereof; and,
 FIG. 10 is a bottom view thereof.

1 Claim, 6 Drawing Sheets

(56) **References Cited**

U.S. PATENT DOCUMENTS

- D584,189 S * 1/2009 Bischoff et al. D12/91
- D584,997 S * 1/2009 Bischoff et al. D12/91





Fig. 1



Fig. 2



Fig. 3



Fig. 4

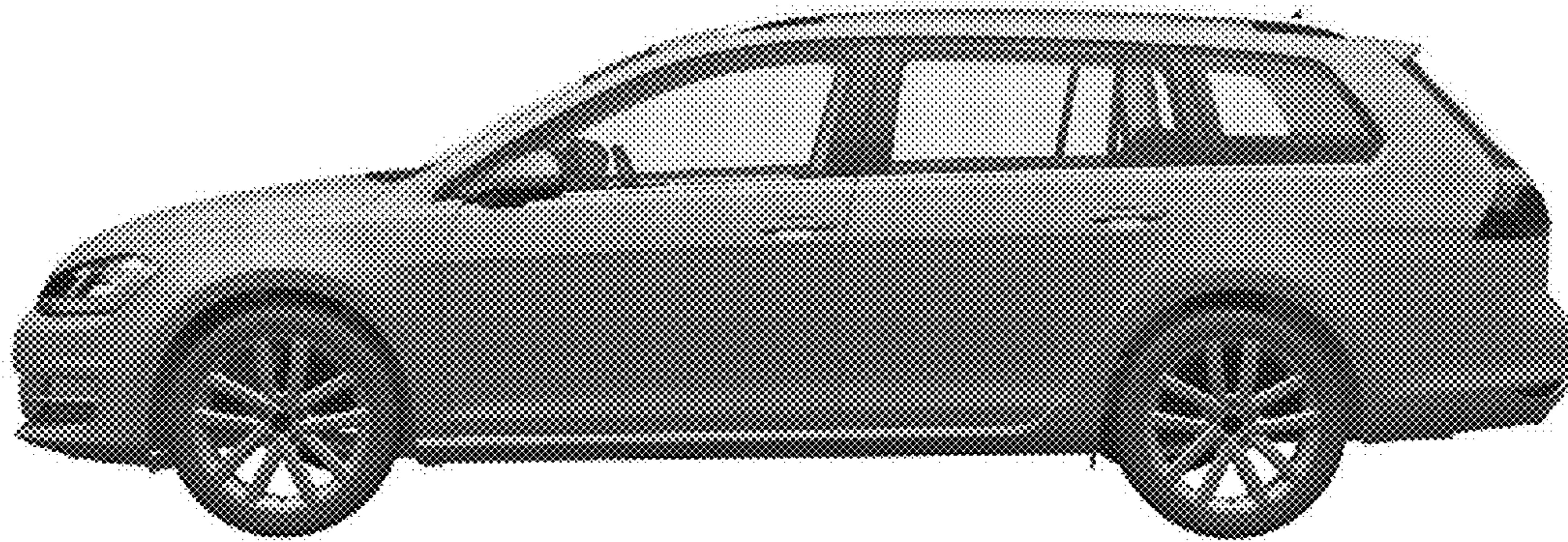


Fig. 5

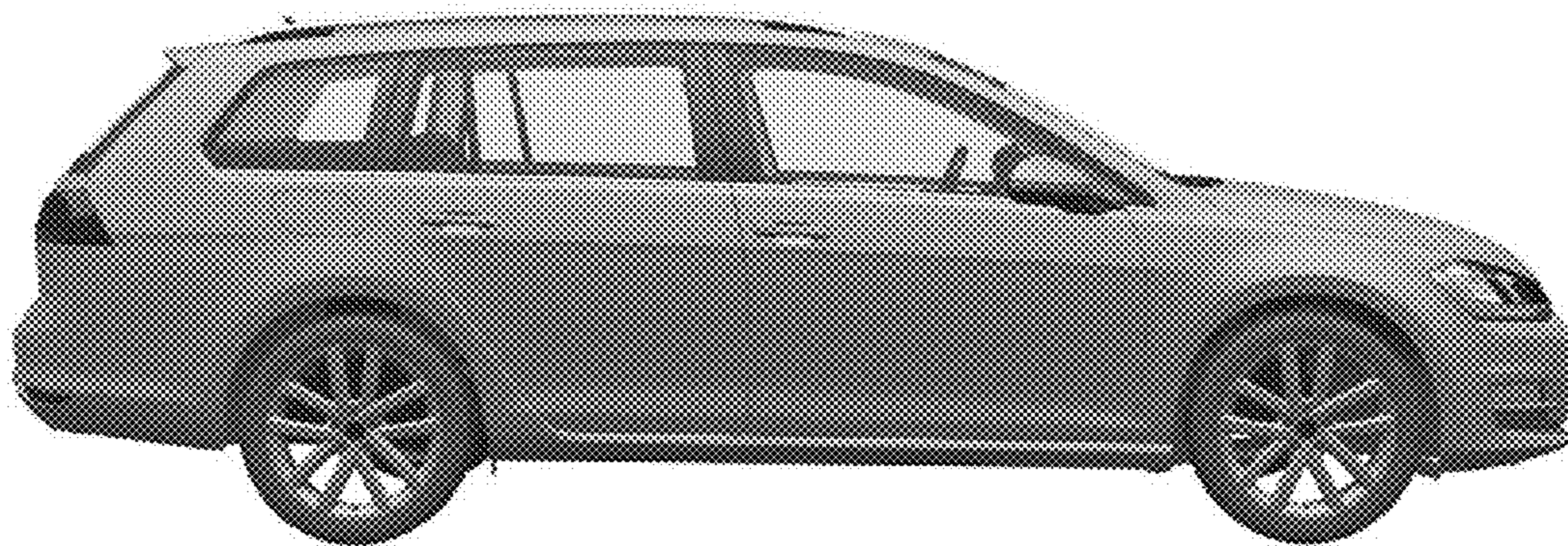


Fig. 6



Fig. 7



Fig. 8

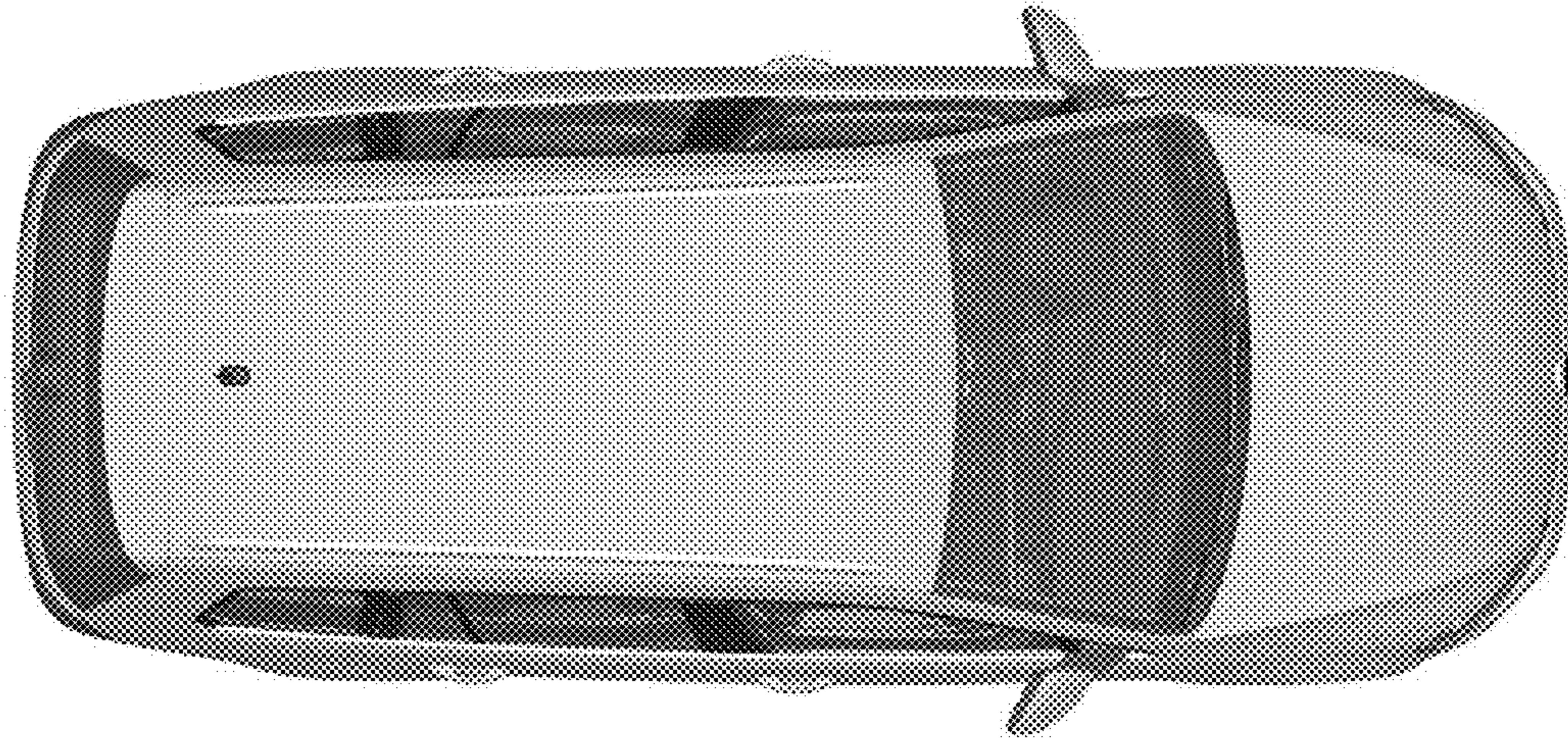


Fig. 9

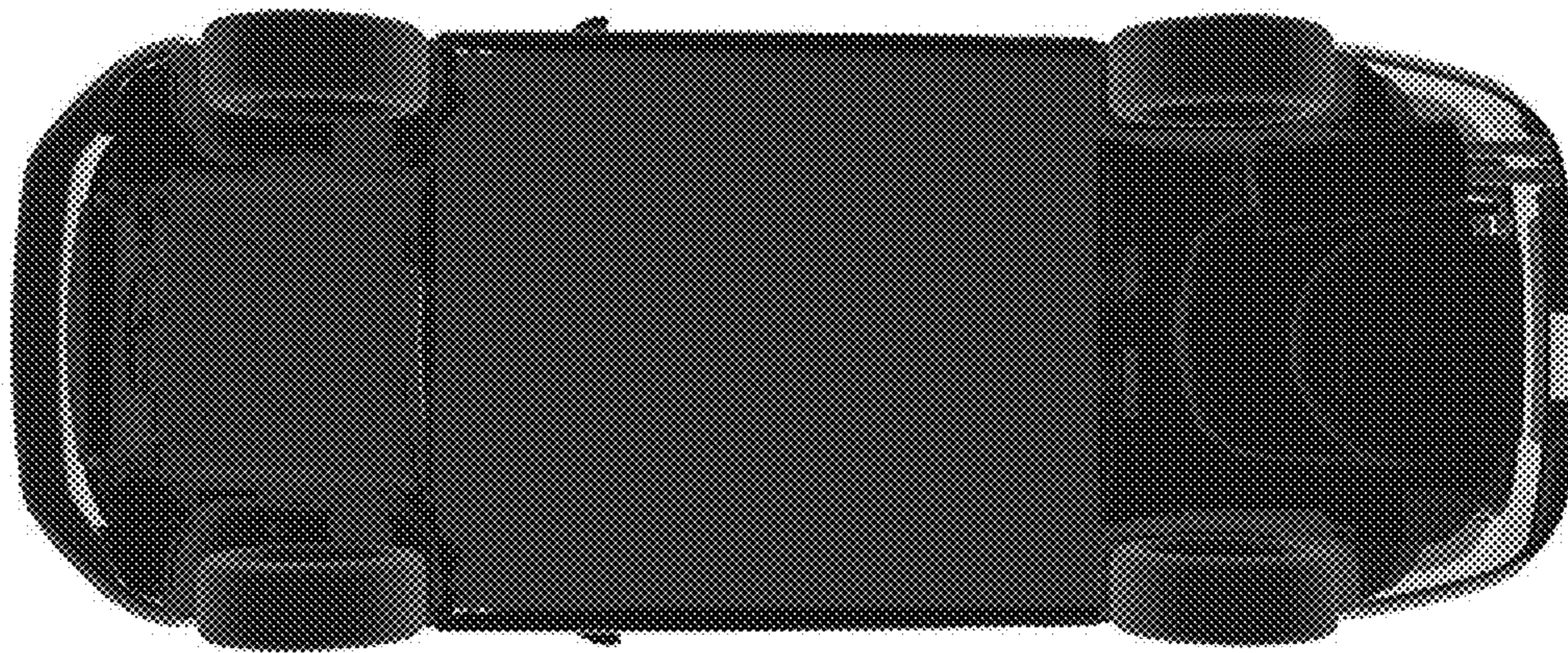


Fig. 10